

WARNING!!

Children have died from furniture tipover. Tip restraints have been included with this product; you must install the tip restraints according to these instructions in order to minimize the risk of furniture tipping. If you have any questions about this product or the tip restraint, please send us an email at tip_restraint_help@Noblehousefurniture.com

NEVER allow children to climb or hang on furniture , including drawers or cabinet doors.

In addition to installing the restrains. To help prevent tip-over

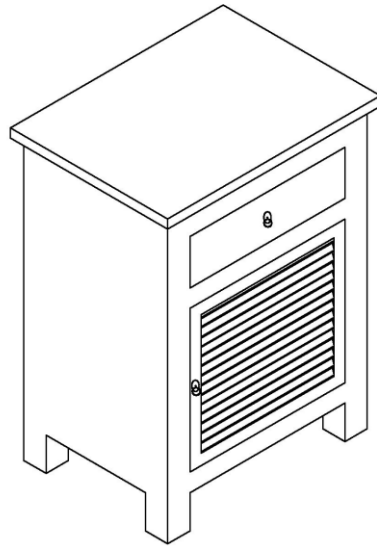
1. **NEVER** put a **TV** or other heavy objects on top of this product”.
2. Do not stand on the products.

⚠ WARNING	
	<p>Children have died from furniture tipover. To reduce the risk of furniture tipover:</p> <ul style="list-style-type: none">• ALWAYS install tipover restraint provided.• NEVER put a TV on this product.• NEVER allow children to stand, climb or hang on drawers, doors, or shelves.• NEVER open more than one drawer at a time.• Place heaviest items in the lowest drawers.• Do not defeat or remove the drawer interlock system.
	<p><i>This is a permanent label. Do not remove!</i></p>

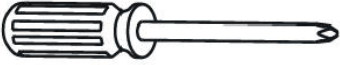







Assembly Instructions

Caution : You must read this before you proceed

BEDSIDE

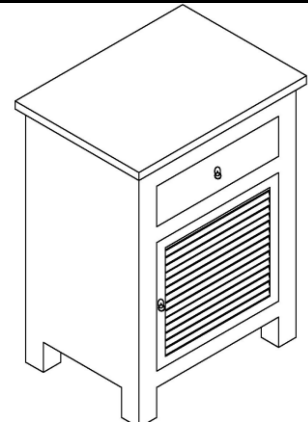
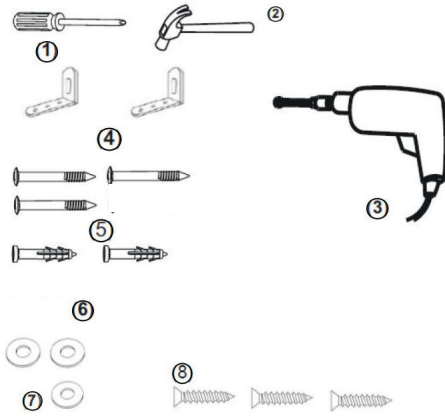


Hardware

Label	Picture	Description	QTY
①		Screwdriver (Not Provided)	1
②		Hammer (Not Provided)	1
③		Power Drill (Not Provided)	1
④		Metal Bracket	2
⑤		Wall Plug Screw (M3x30mm)	3
⑥		Wall Plug	2
⑦		Washer	3
⑧		Product Screw (M3 x 12mm)	3

Assembly Preparation

Before Beginning Assembly:



- Read instructions, cover to cover-



- Have 2 adults on hand for assembly-



- Do not assemble on flooring or carpet-



- Assemble on a clean non-marring surface (packing foam)-



- Save all packaging until finished-

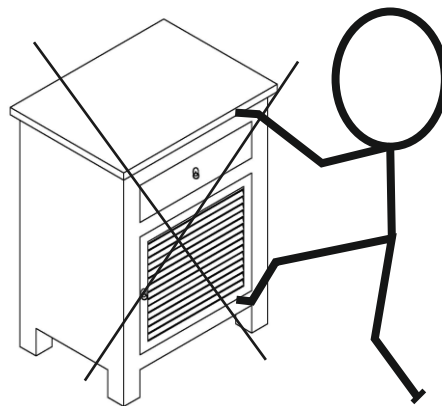
Tipover Restraint Device Installation Instruction

WARNING 

Serious or fatal crushing injuries can occur from tipping furniture.

To help prevent tip-over : **ALWAYS** secure this furniture to the wall using tipover device.

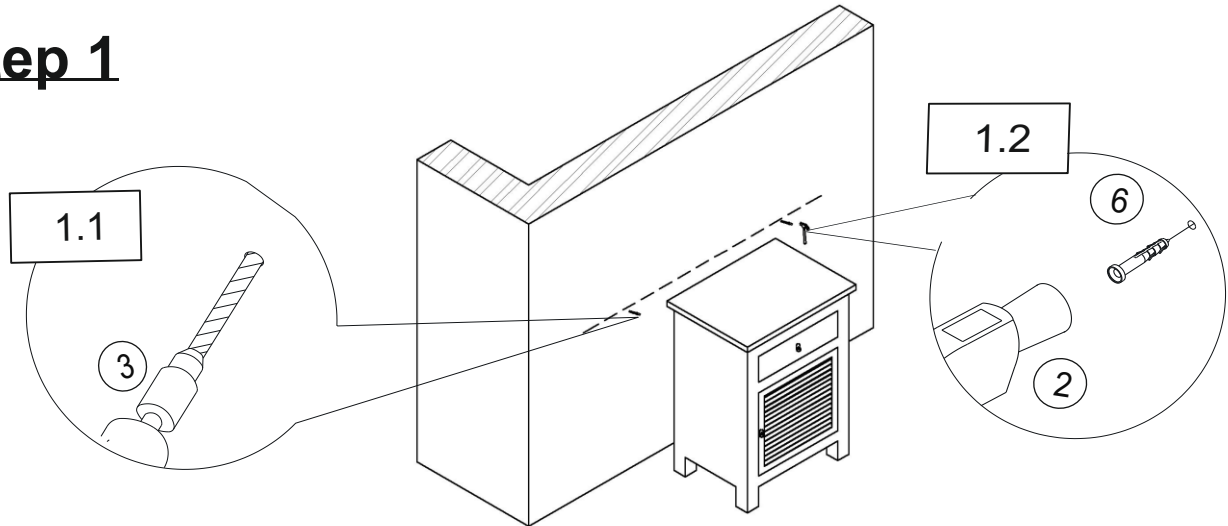
See products instruction for more ways to help prevent furniture tip-over.



Usage For Tipover Restraint Device:

To secure the Bedside against the wall, attach two Brackets ((4)) on the wall and the product.

Step 1



(1.1) Drill two holes on wall at same height as Bracket (④) on Bedside with Power Drill (③).

You can mark these points in the ways as below:

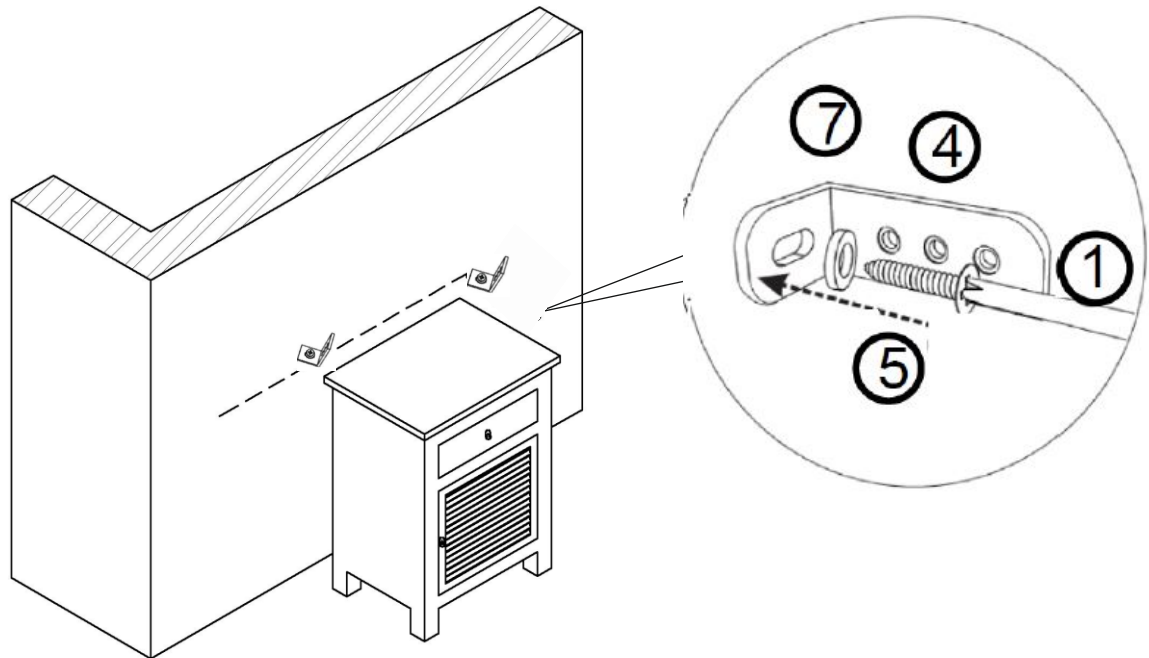
1) Move the Bedside back to the wall. Mark two point same width as Bedside on the wall.

Note : The Brackets need to be secured to solid, load bearing surface. Please use a stud finder (not supplied) if needed to locate the wall frame.

2) Measure the height of the Brackets (④) with ruler/measuring tape and mark on wall to keep them accurate and same height and width of the Bedside.

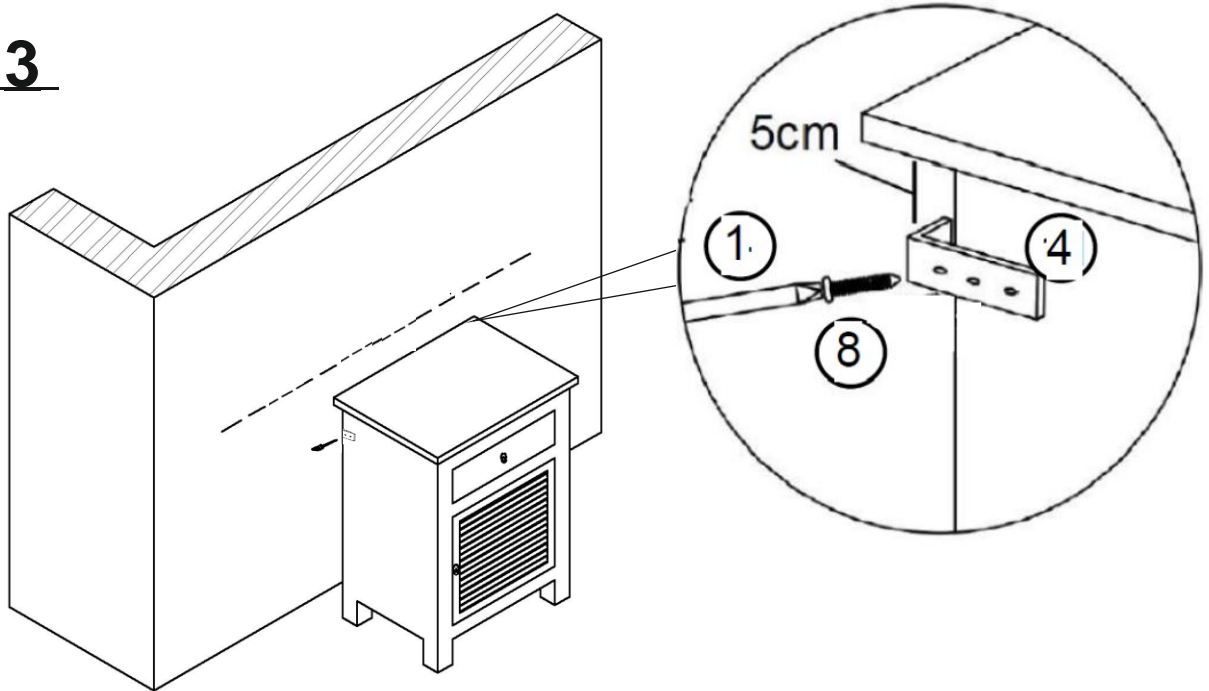
1.2) Insert wall plugs (⑥) into drilled holes on wall with Hammer (②).

Step 2



Attach Brackets (④) to Wall Plugs (⑥) using Wall Plug Screws (⑤) and Washer (⑦) with Screwdrivers (①)

Step 3














Move Bedside to the wall, customer can use one of 3 holes for assembly same as other side.

Connect the Metal Bracket ((4)) to Cabinet with help of Product Screw ((8)) and Screwdriver ((1)) same as other side.

This Bedside is now ready to use.

Care And Maintenance

- ✓  Furniture may scratch floors. We recommend using furniture pads to protect your floors.
 - ⊗  Do not put hot items directly on furniture surface.
 - ⊗  Do not clean furniture with harsh cleansers or polish.
 - ⊗  Do not place furniture under direct sunlight.
 - ⊗  Do not place furniture near heating or cooling vents.
 - ⊗  Do not write on furniture without a padded barrier to protect the surface.
 - ⊗  Do not place furniture outside . For indoor use only.
 - ⊗  Not for commercial use . For residential use only.
 - ⊗  Stains may be removed with mild soap solution and damp cloth.
 - ⊗  Children should not climb or jump on the furniture.
- ✓  Dust and pick-up spills using a clean, non-colored lint-free cloth.