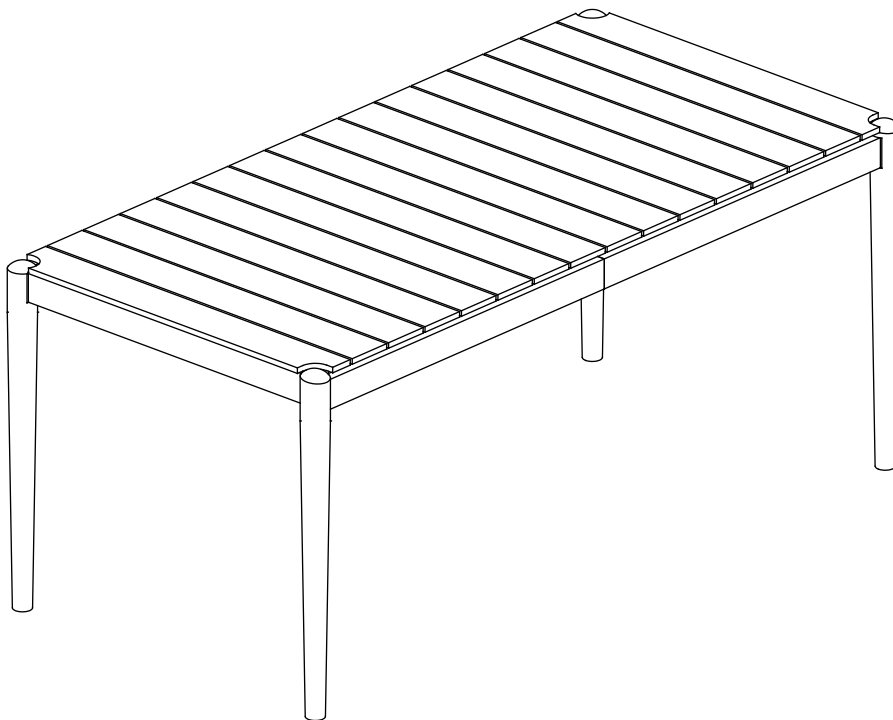


# Assembly Instructions

**CAUTION:** You must read these Assembly Instructions before you proceed.

Please look into the under table top for hardware pack.

## TABLE

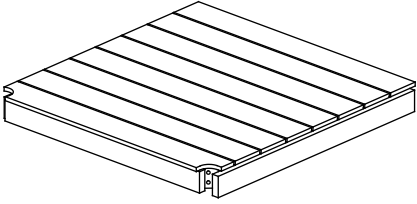


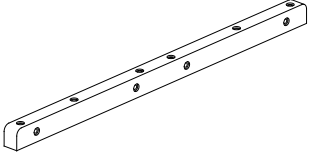
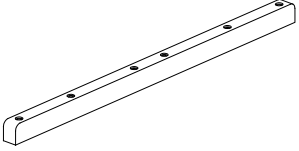


**CAUTION: This Table is NOT a TOY.**

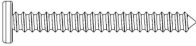




Keep your child/children at bay during the assembly process.

Whenever lifting the Table and to prevent any possible damage to the Table two adult partners are needed to execute this action.

## Parts List:

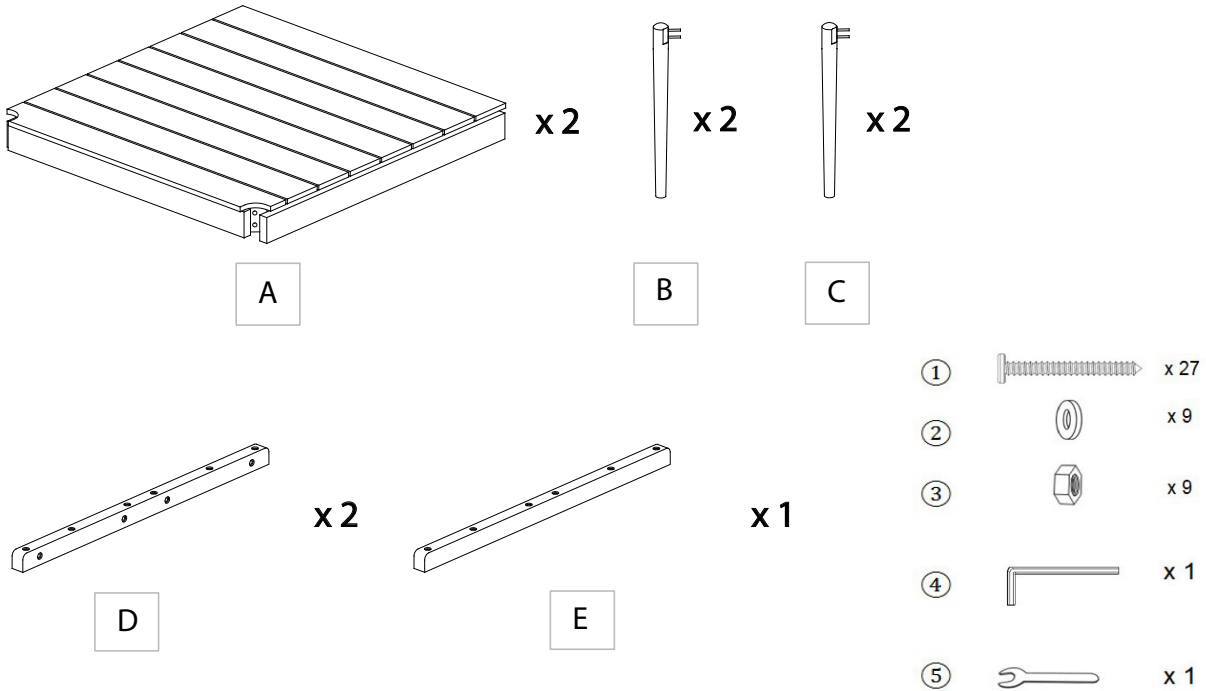
No.	Picture	Description	Qty
A		Table Top	2
B		First Leg	2
C		Second Leg	2
D		First Support Bar	2
E		Second Support Bar	1

## Hardware:

No.	Picture	Description	Qty
①		Screws (M6 x 45mm)	27
②		Washer (M8.5 x 20 x 2 mm)	9
③		Lock nut M8	9
④		Allen Wrench	2
⑤		Wrench (Ø13 x 2 mm)	1

# Assembly Preparation:

Before Beginning Assembly:



Read instructions, cover to cover.



Have 2 adults on hand for assembly.



Do not assemble on flooring or carpet.



Assemble on a clean non-marring surface (packing foam).

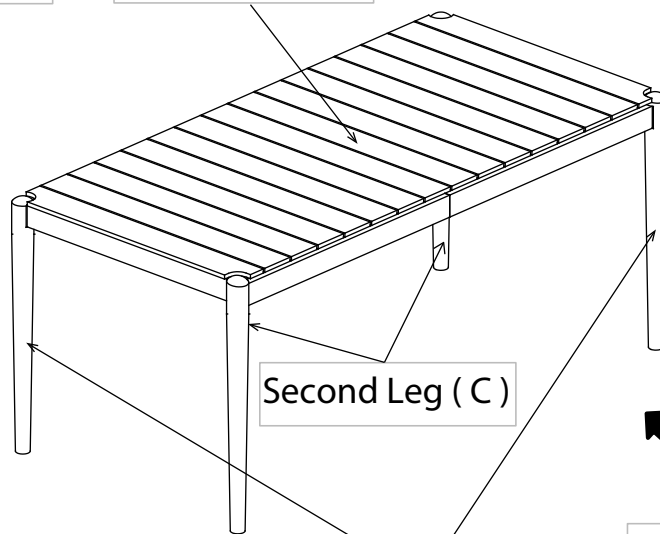


Save all packaging until finished.

# Assembly Steps :

OVERVIEW

Table Top ( A )



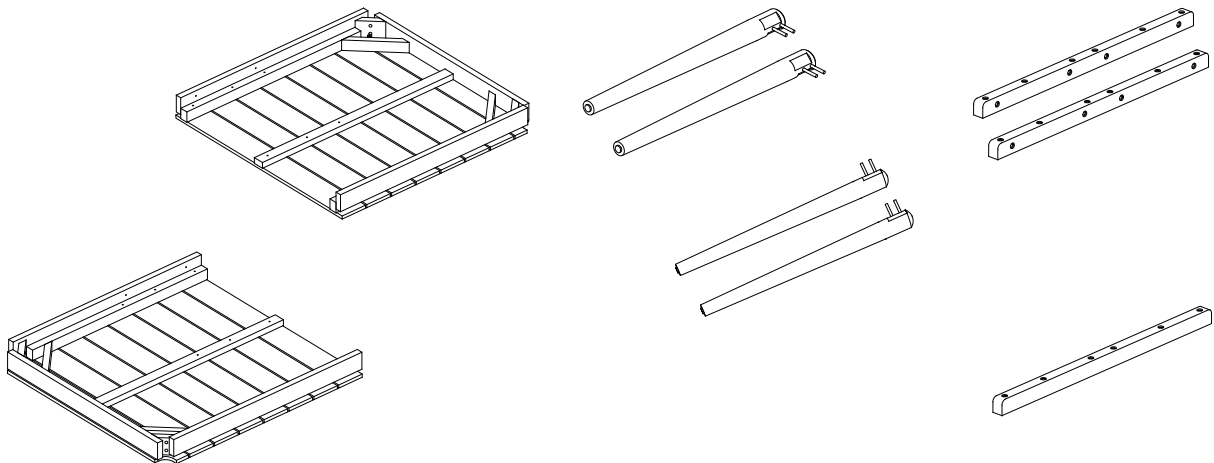
Second Leg ( C )

First Leg ( B )

FRONT FACING

This Table has multiple parts and may require up to 30 minutes to assemble. To give you an overview of the Table parts, the above picture is to help you put the various parts into perspective. Please read through the instructions below to familiarise yourself with the parts and steps before assembly.

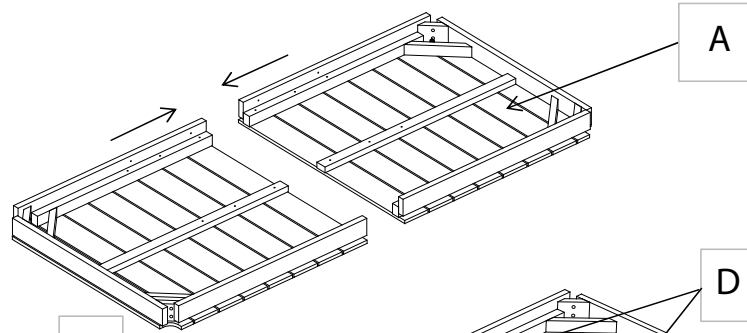
## Step 1 :



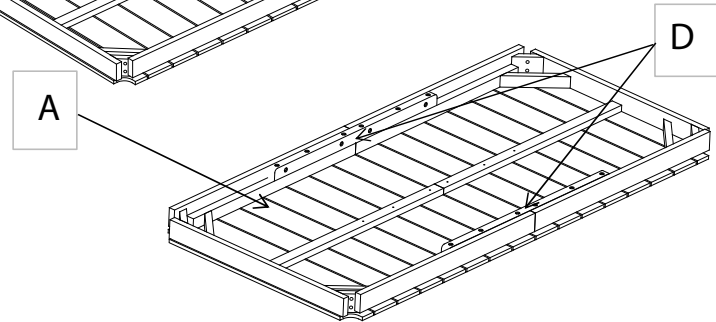
Unpack and place all parts on a clean, non-marring surface.

**Step 2 :**

Step 2.1



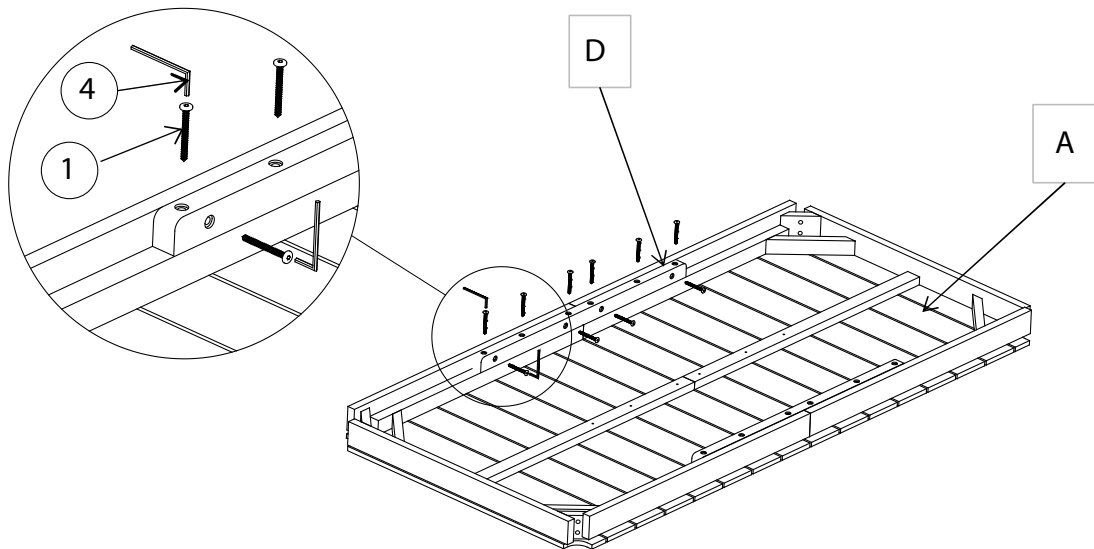
Step 2.2



Step 2.1: Place the two table Tops (A) side by side.

Step 2.2: Place two Support Bars 1 (D) at the position as shown in the picture above.

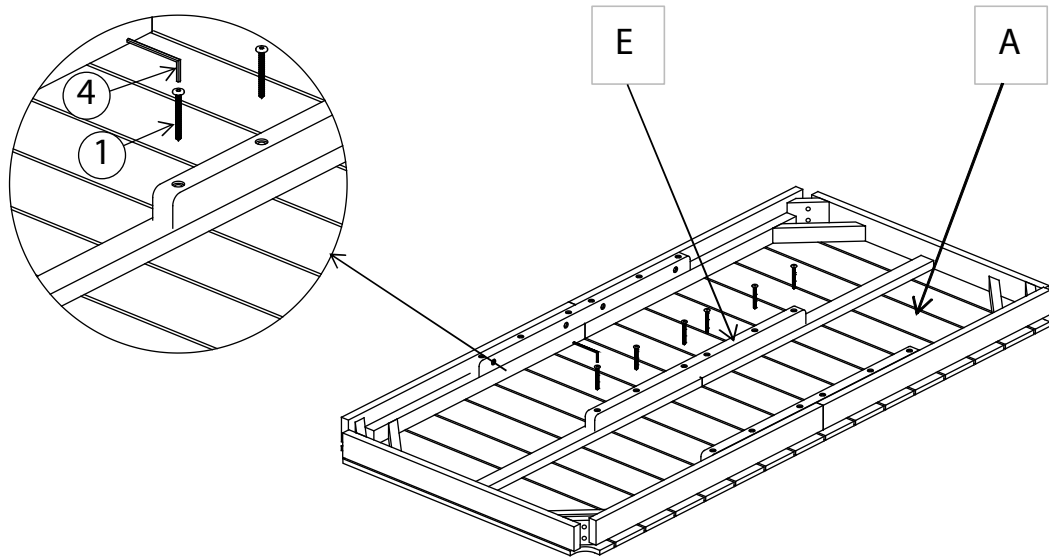
**Step 3:**



Attach the First Support Bar (D) to Table top (A) using Screws ① and the Allen Wrench ④ as shown in the picture above. Repeat the same process with the other First Support Bar (D).

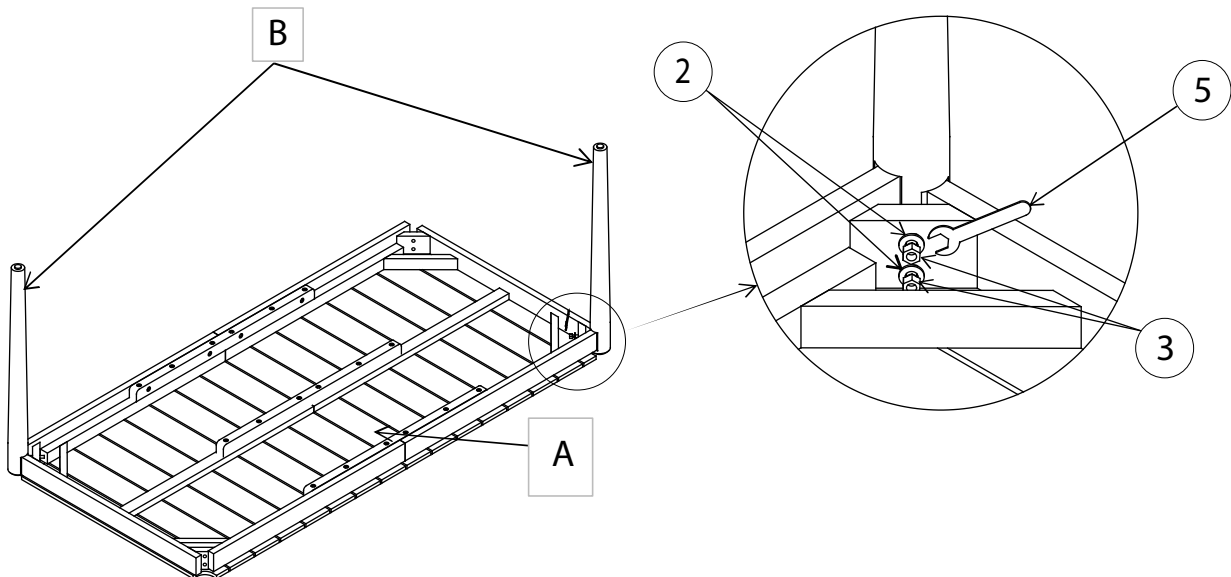
**Do not fully tighten the Screws at this time .**

**Step 4:**



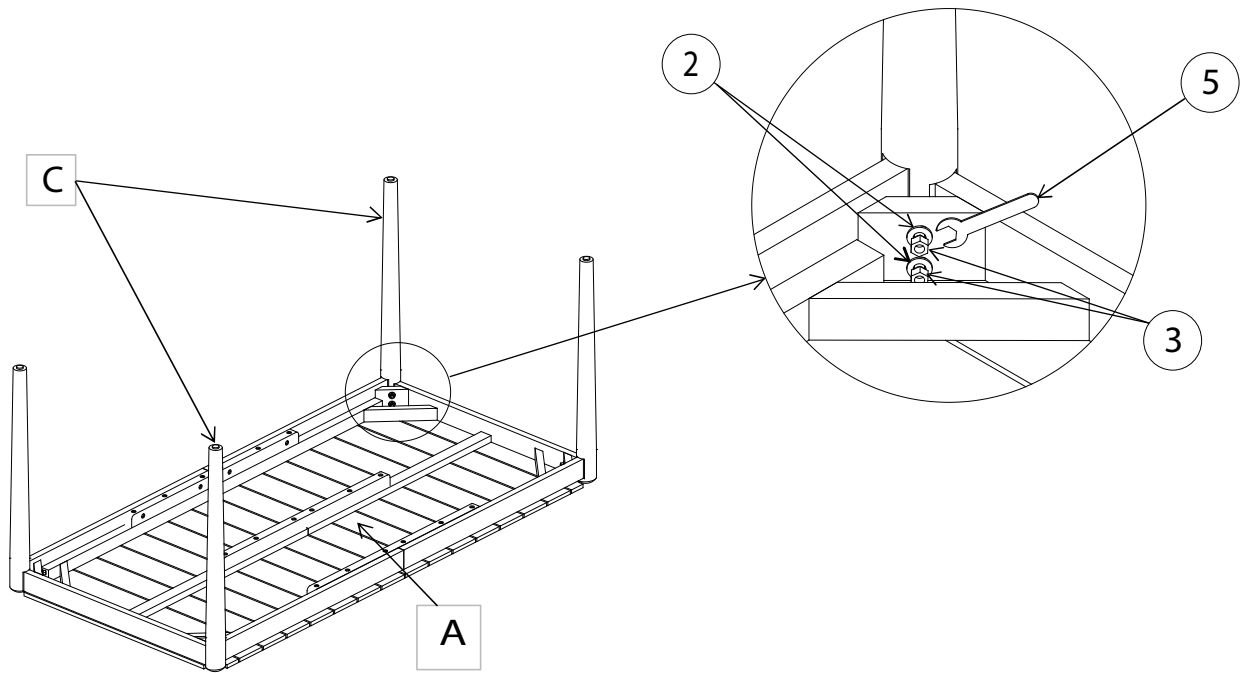
Attach the Second Support Bars (E) to Table top (A) using Screws ① and the Allen Wrench ④ at the position shown in the picture above.  
**Do not fully tighten the Screws at this time.**

**Step 5:**



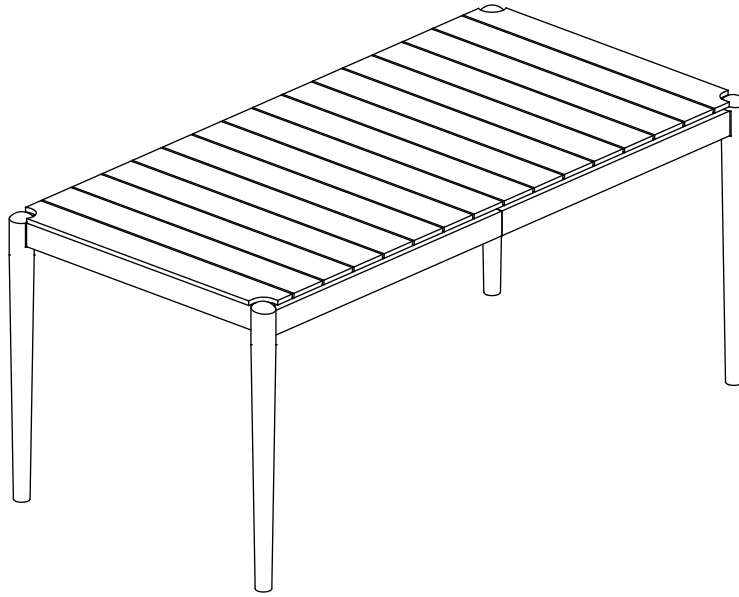
Loosely affix one of the First legs (B) into one of the other corners of the Table Top(A), using Washers ②, Lock nuts ③ and the Wrench ⑤ as shown in the picture above.  
Repeat the same process with the remaining First Leg (B).  
**Do not fully tighten the Lock nuts at this time.**

**Step 6:**



Loosely affix one of the Second legs (C) into one of the corners of the Table Top (A), using Washers (2), Lock nuts (3) and the Wrench (5) as shown in the picture above. Repeat the same process with the remaining Second Leg (C).  
**Do not fully tighten the Lock nuts at this time.**

**Step 7 :**



With the assistance of your adult partner, turn the table right side up. Place the Table on a level surface. Then EXERT pressure, floorwards onto the Table with both hands. This pressure will help the Table reach full alignment at all joints. This pressure will help the Table reach full alignment at all joints. In a sequential manner, gradually tighten all Screws at all joints until evenly secured.

Inspect the Table and make sure all parts are adequately connected. Ensure all screws are fully locked into position. Ensure all screws are fully locked into position.

**CAUTION: When tightening these screws, tighten sequentially.**












**DO NOT tighten any screw fully and then move towards the next one. This would cause the frame to warp. If there are any wobbles after tightening, loosen the screws and execute this same process.**

**WARNING!! IF TABLE IS NOT STABLE, IT COULD LEAD TO DAMAGING THE PRODUCT.**

Your Table is ready for use. This Table can only be used on a flat, level surface.



## Care & Maintenance:

- ✓  ● Furniture may scratch floors. We recommend using furniture pads to protect your floors.
- ⊘  ● Do not put hot items directly on furniture surface.
- ⊘  ● Do not clean furniture with harsh cleansers or polish.
- ⊘  ● Do not place furniture under direct sunlight.
- ⊘  ● Do not place furniture near heating or cooling vents.
- ⊘  ● Do not write on furniture without a padded barrier to protect the surface.
- ⊘  ● Do not place furniture outside . For indoor use only.
- ⊘  ● Not for commercial use. For residential use only.
- ⊘  ● Stains may be removed with mild soap solution and damp cloth.
- ⊘  ● Children should not climb or jump on the furniture.
- ✓  ● Dust and pick-up spills using a clean, non-colored, lint-free cloth.