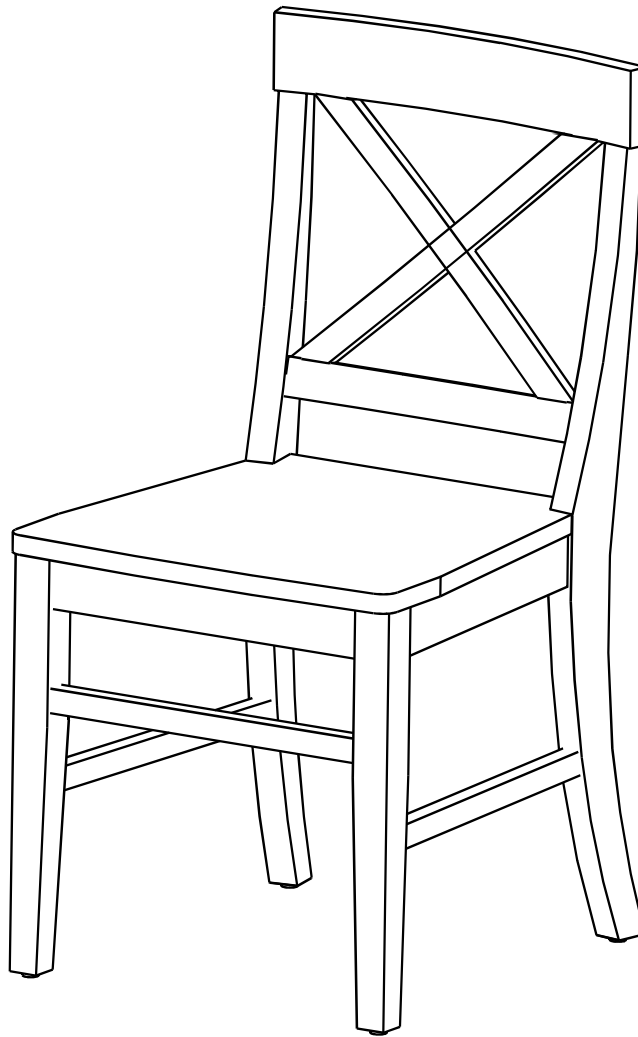


# Assembly Instructions

**Caution: You must read Assembly Instructions before you proceed**

**Please look in the foot box places for hardware packs and legs**

## CHAIR


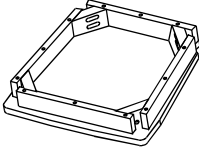



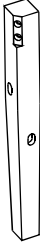
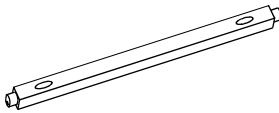


**Caution: This Chair is NOT a TOY.**


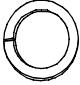




Keep your child / children at bay during the assembly process.

For moving the Chair and to prevent damage to the Chair, two adults are needed to execute.

# Parts List

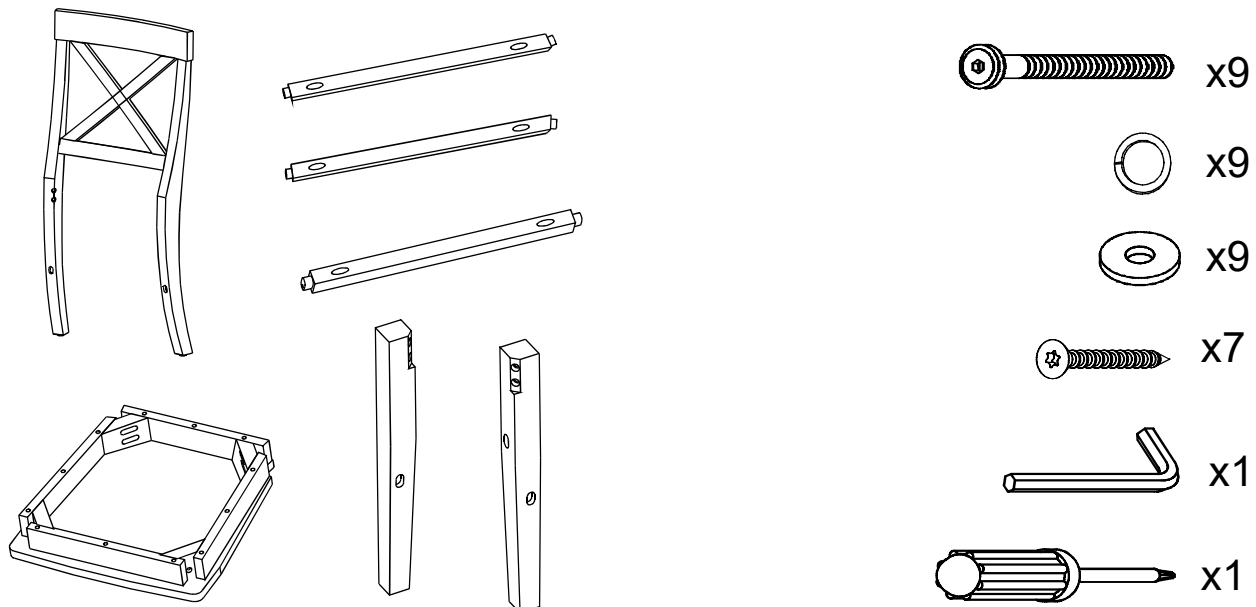
Label	Picture	Description	QTY
A		Chair back	1
B		Chair seat	1
C		Right side rail (The side with holes is the bottom side to face the floor after assembly)	1
D		Left side rail (The side with holes is the bottom side to face the floor after assembly)	1
E		Right front Leg	1
F		Left front Leg	1
G		Front support bar	1

# Hardware

Label	Picture	Description	QTY
①		Bolt (M6x70mm)	9
②		Spring Washer	9
③		Flat Washer	9
④		Screw (M4 x 40mm)	7
⑤		Allen Wrench	1
⑥		Screw Driver	Not Provided

# Assembly Preparation

Before Beginning Assembly:



- Read instructions, cover to cover-



- Have 2 adults on hand for assembly-



- Do not assemble on flooring or carpet-



- Assemble on a clean non-marring surface (packing foam)-

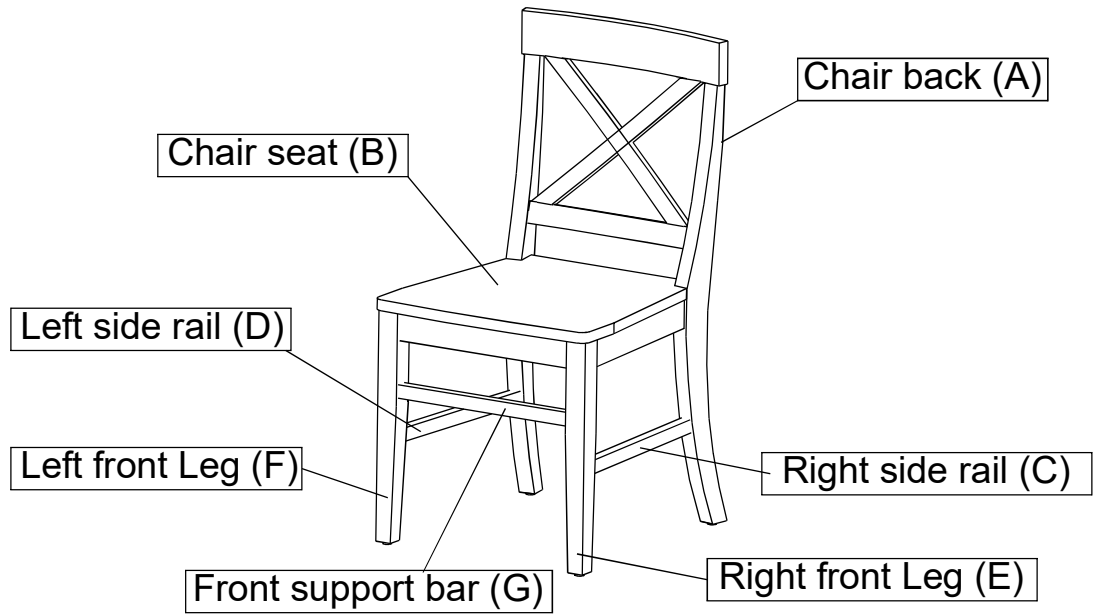


- Save all packaging until finished-

# Assembly Preparation

Before Beginning Assembly:

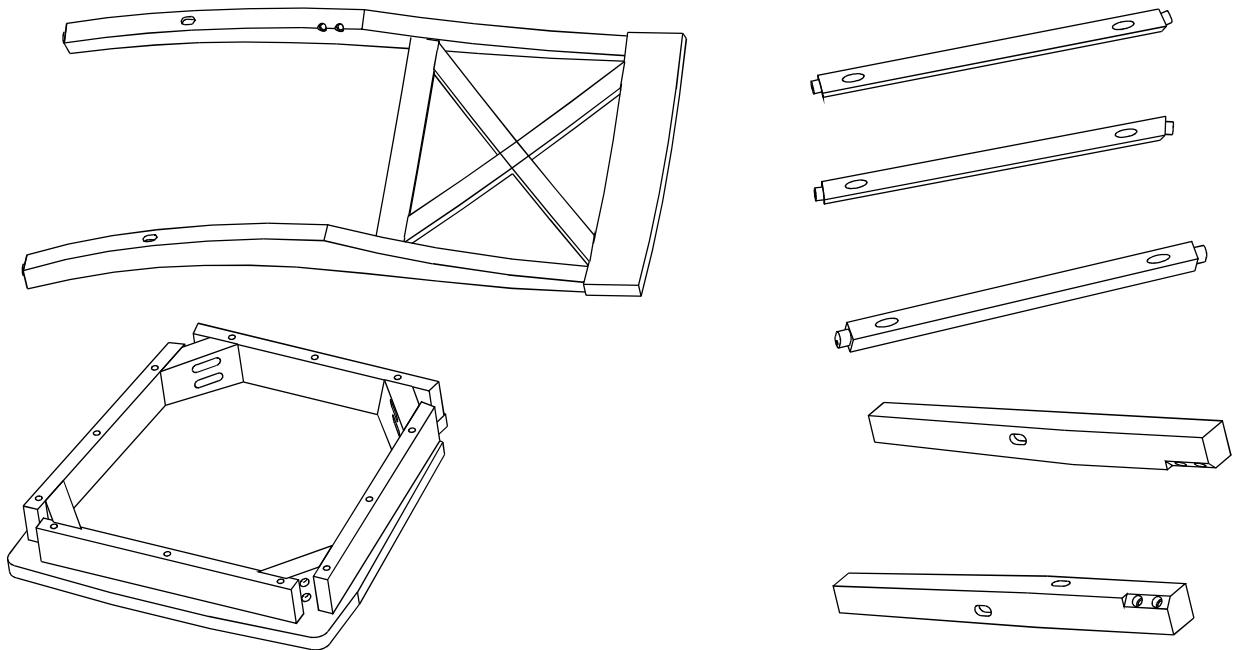
## OVERVIEW



**FRONT FACING**

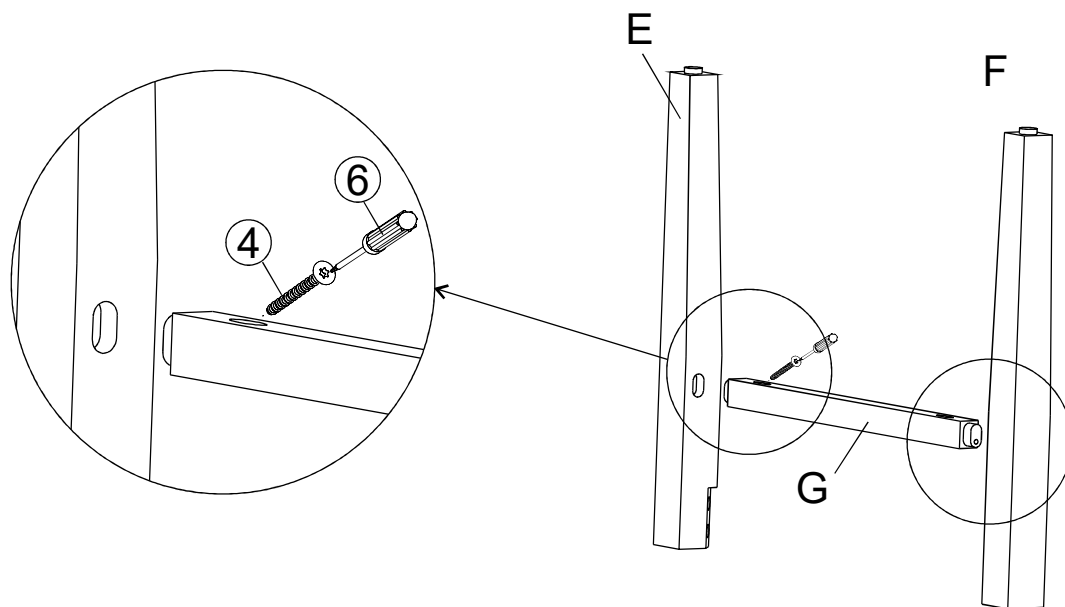
This Chair has multiple parts and may require up to some 30 minutes to assemble. To give you an overview of the Chair, the above picture is to assemble is to help you put the various parts into perspective. Please read through the instructions here below to familiarise the parts and steps before assembly.

## Step 1



Unpack and place all parts on a clean, non-marring surface.

## Step 2



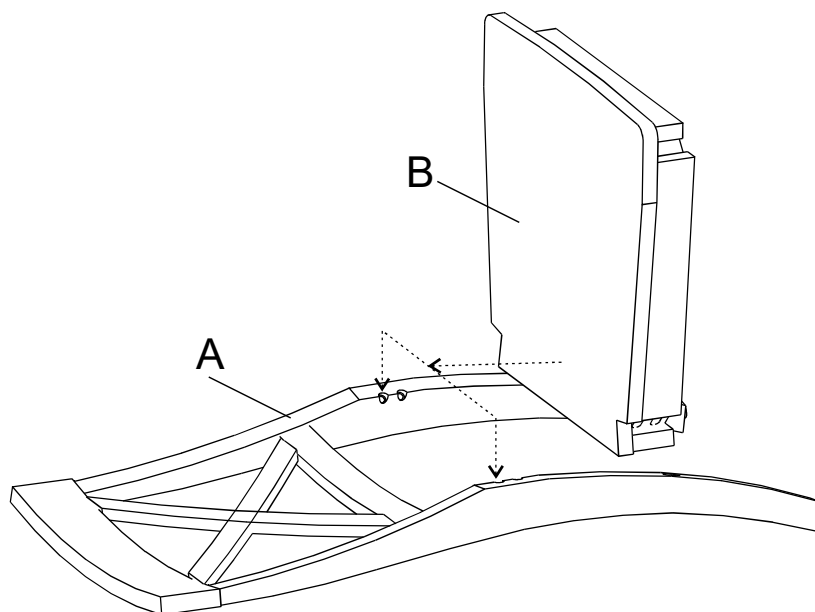
Attach Front Support Bar(G) into the upper housing of the Top Right Front Leg (E) and Top Left Front Leg (F).

Secure the Front Support Bar (G) into the upper housing of the Top Left Front Leg (F) by using Screw (④) and Screw Driver (⑥) .

Repeat the same process for the Right Front Leg (E).

**Do not fully tighten the Screws.**

## Step 3

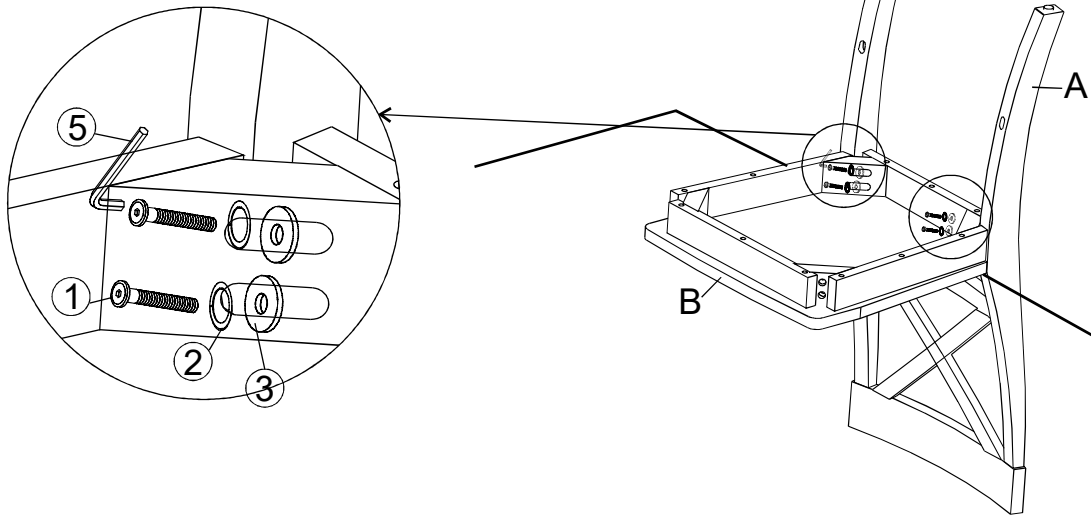


Place the Chair Back (A) onto a flat clean soft surface, as pictured above  
Push the Chair Seat (B) in to the mounting position of the Chair Back (A)  
following the arrows shown in the picture.

Use your left hand to push the seat frame floorwards.

This action helps to ensure the Chair Seat (B) is pressed towards to the Chair Back (A) with no gap between these.

## Step 4



Place the Chair Seat (B) onto the side of a table or a box as shown in above picture. You will have the Chair bottom and legs facing skywards.

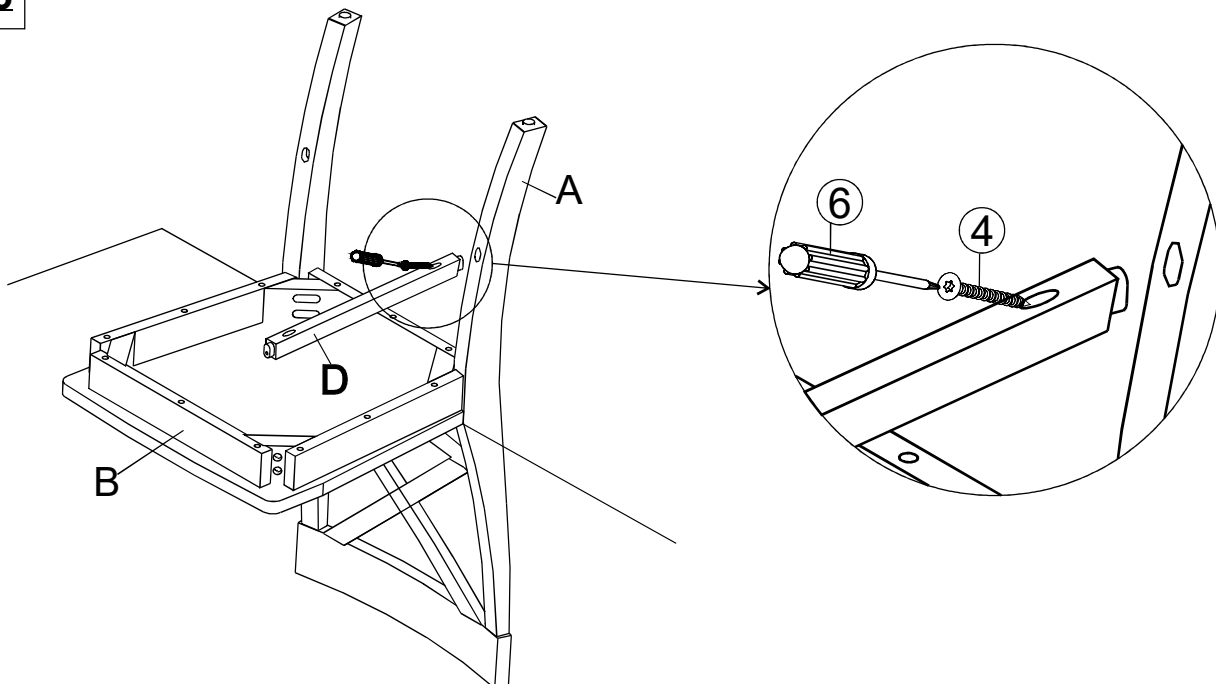
Secure the Chair Back (A) to the Chair Seat(B) by using Bolts (①), Spring Washer (②), Flat Washer (③) and Allen Wrench (⑤).

**Then loosely tighten Bolt (①).**

**Repeat the same process for the other leg of Chair Back(A).**

**DO NOT OVERTIGHTEN THE BOLTS.**

## Step 5



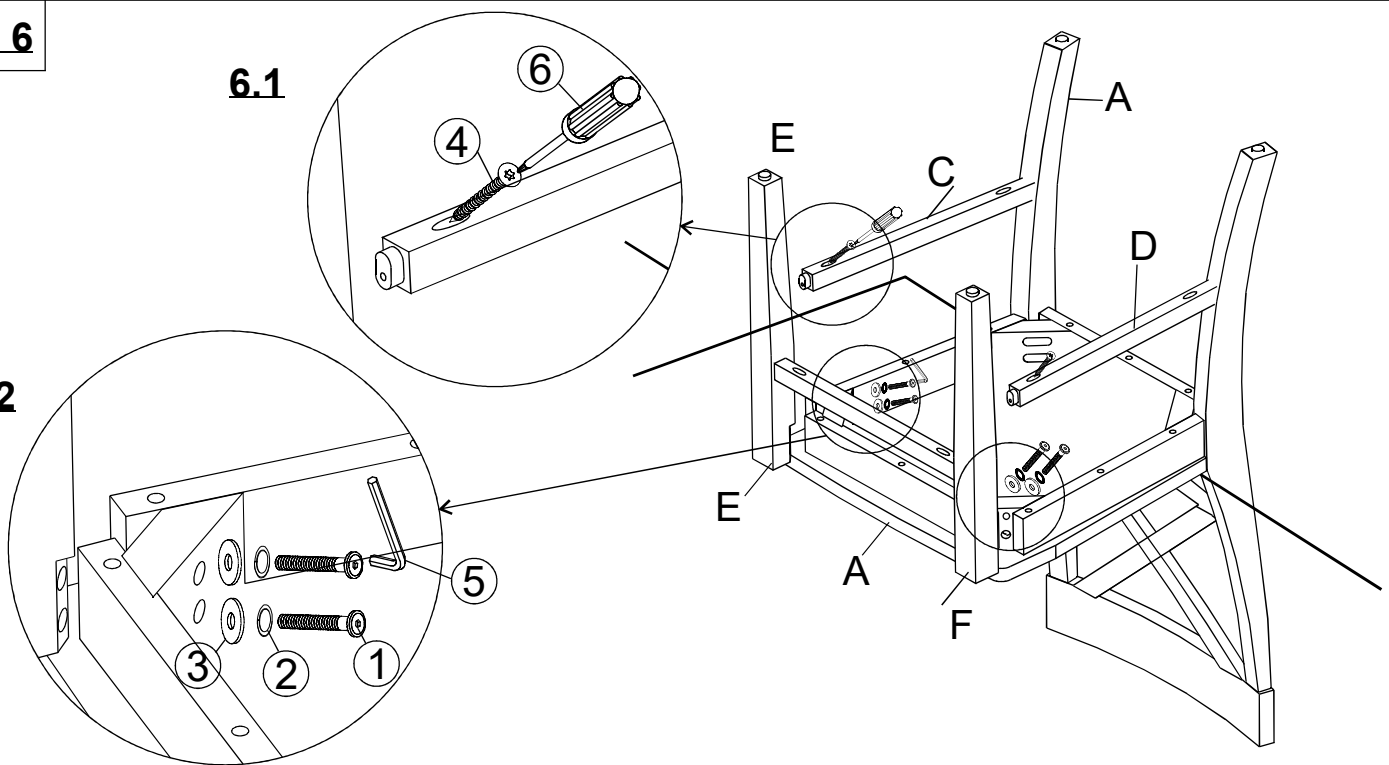
Next, place Left Side Rail (D) into the oval housing of Hind Leg of the Chair Back (A) as shown in the picture.

Then, using Screw(④) and Screw Driver(⑥) to attach the Left Side Rail (D) to the Chair Back(A).

**Repeat the same process for the Right Side Rail (C).**

**DO NOT OVERTIGHTEN THE SCREWS. OVER TIGHTENING COULD LEAD TO DAMAGE OF THE PRODUCT. TIGHTEN ONLY UNTIL SECURE.**

## Step 6



Place complete part in Step 2 into the tenon of sail rails and the Chair Seat(B).

6.1) Using Screw(④) and Screw Driver(⑥) to attach the Right Side Rail(C) to the Right Front Leg(E). Repeat the same process for the Left Side Rail(D) to the Left Front Leg(F).

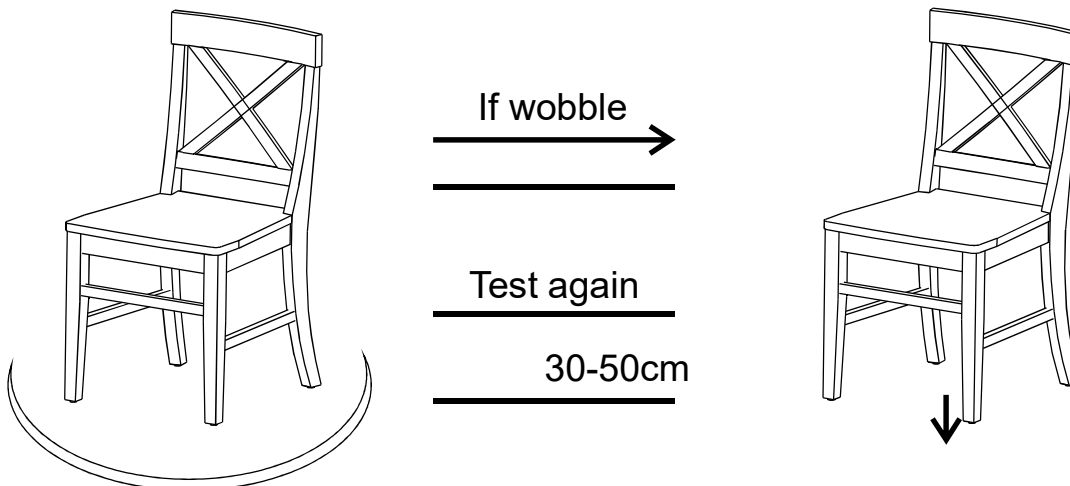
6.2) Secure Front Legs (E) and (F) to the Chair Seat (B) by using Bolts(①), Spring Washer(②), Flat Washer(③) and Allen Wrench(⑤) same as Step 4 to finish.

**DO NOT OVERTIGHTEN THE BOLTS (①).**

**OVER TIGHTENING COULD LEAD TO DAMAGE OF THE PRODUCT.**

**TIGHTEN ONLY UNTIL SECURE AND STABLE.**

## Step 7



Place the Chair on a **LEVEL SURFACE** to see if it wobbles.

If it wobbles, lift the Chair to some 30cm to 50cm height from the ground. Keep your feet and toes well away from the drop zone.

Drop the Chair freely and vertically with the four legs, hitting the ground, at the same time.

This Drop Test will help to ensure that all the screws and gaps to all reach full alignment status. Test again for evenness on a **LEVEL SURFACE**.

If no wobbles found, proceed to tighten all the screws.











**CAUTION: When tightening these screws, tighten sequentially.**


**DO NOT** tighten any screw fully and then towards the next one. This would cause the frame to warp.

**If there is still wobbles, loosen the screws and execute this same drop tests.**

**WARNING!! IF CHAIR IS NOT STABLE , IT COULD LEAD TO DAMAGING THE PRODUCT.**

# Care & Maintenance

- ✓  ● Furniture may scratch floors. We recommend using furniture pads to protect your floors.
- ⊘  ● Do not put hot items directly on furniture surface
- ⊘  ● Do not clean furniture with harsh cleansers or polish.
- ⊘  ● Do not place furniture under direct sunlight.
- ⊘  ● Do not place furniture near heating or cooling vents.
- ⊘  ● Do not write on furniture without a padded barrier to protect the surface.
- ⊘  ● Do not place furniture outside . For indoor use only .
- ⊘  ● Not for commercial use. For residential use only .
- ⊘  ● Stains may be removed with mild soap solution and damp cloth.
- ⊘  ● Children should not climb or jump on the furniture.

- ✓  ● Dust and pick-up spills using a clean, non-colored, lint-free cloth .