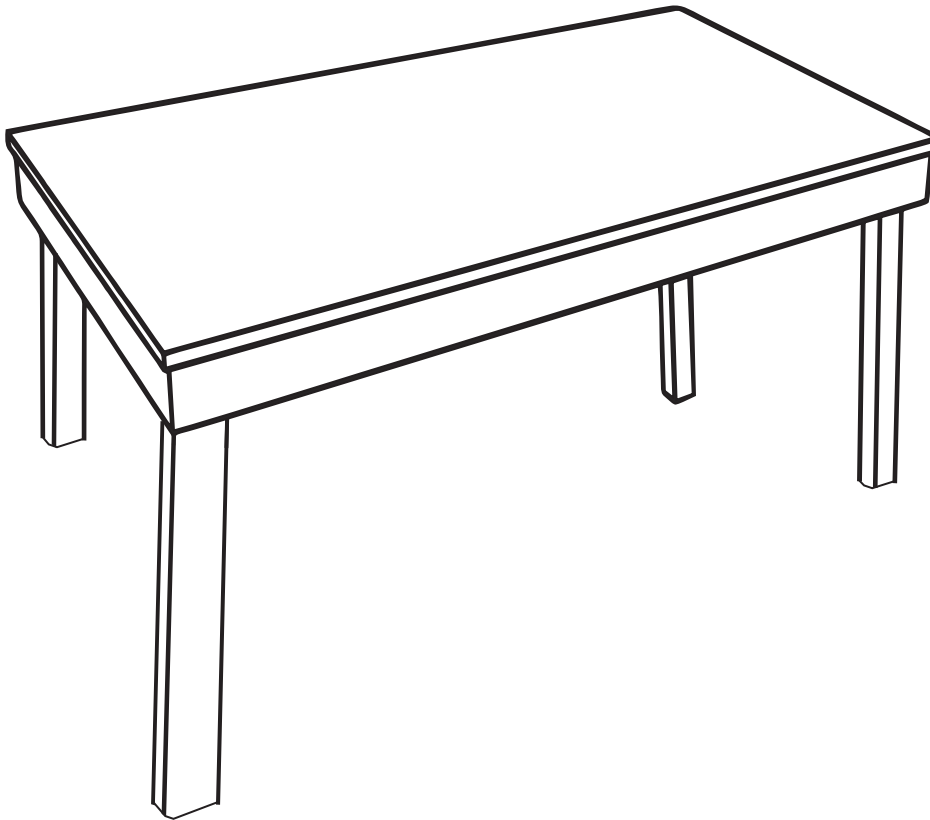


# Assembly Instructions

**Caution: You must read this before you proceed**

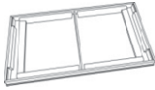



**Please look in the dummy box for hardware packs**

## **TABLE**



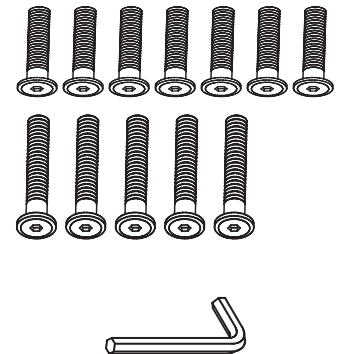
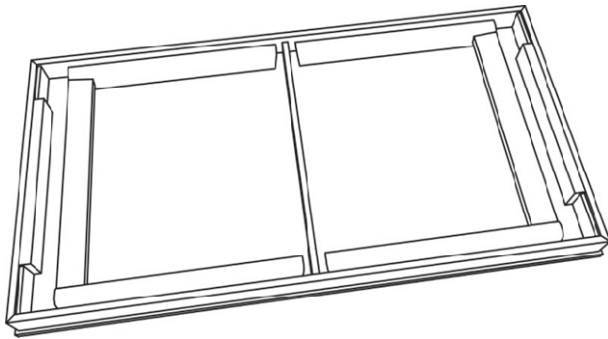
**CAUTION** : This Table is NOT a TOY.  
Keep your child / children at bay in the process of assembly.  
For turning / flipping the Table and to prevent damage to the Table, 02 persons may be needed to execute this action.

## Parts List

NO.	Picture	Description	QTY
A		Table	1
<b>Hardware</b>			
①		Bolts (M8x50mm)	7
②		Bolts (M8x65mm)	5
③		Allen Wrench	1

## Assembly Preparation

Before Beginning Assembly:



- Read instructions, cover to cover-



- Have 2 adults on hand for assembly-



- Do not assemble on flooring or carpet-



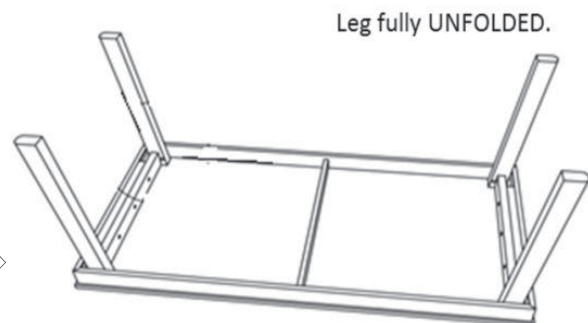
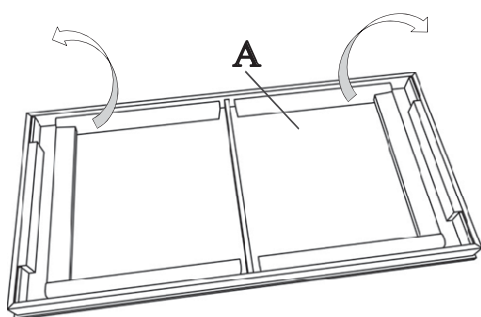
- Assemble on a clean non-marring surface (packing foam)-



- Save all packaging until finished-

## Assembly Steps

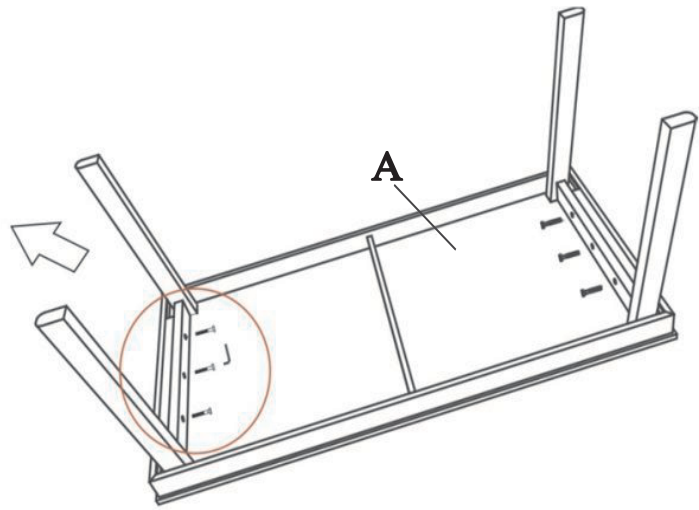
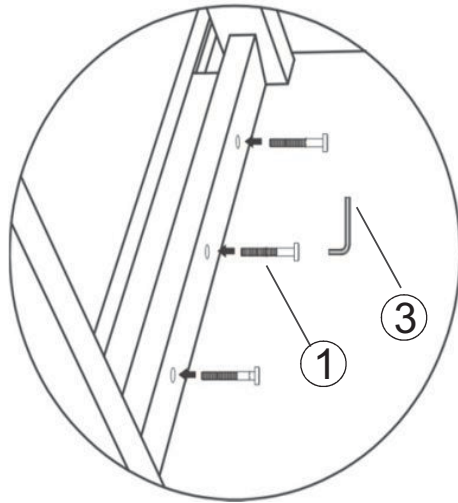
### Step 1



Place the Table (A) upside down onto a clean, soft surface to avoid any scratches or damages to the product.

To UNFOLD the legs, lift the legs upwards and outwards, completely, as shown in the diagram.

## Step 2



Insert the 3 Bolts (①) through the mounting position of the Middle Bar and affix the Leg by using the Allen Wrench (③).

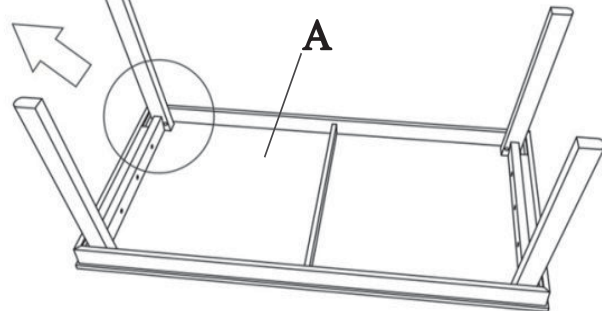
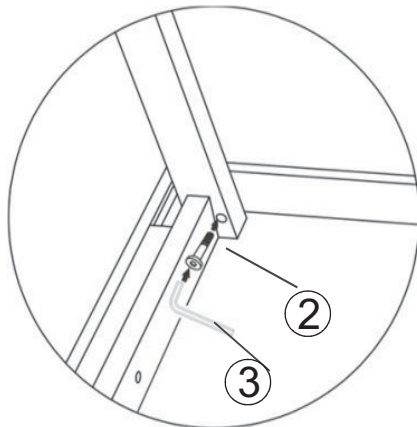
Repeat the same process for the other Leg Frame

**CAUTION !! DO NOT OVER TIGHTEN.**

**OVER TIGHTENING COULD LEAD TO DAMAGE OF THE PRODUCT.**

**SLOWLY TIGHTEN ONLY UNTIL SECURE AND STABLE.**

## Step 3

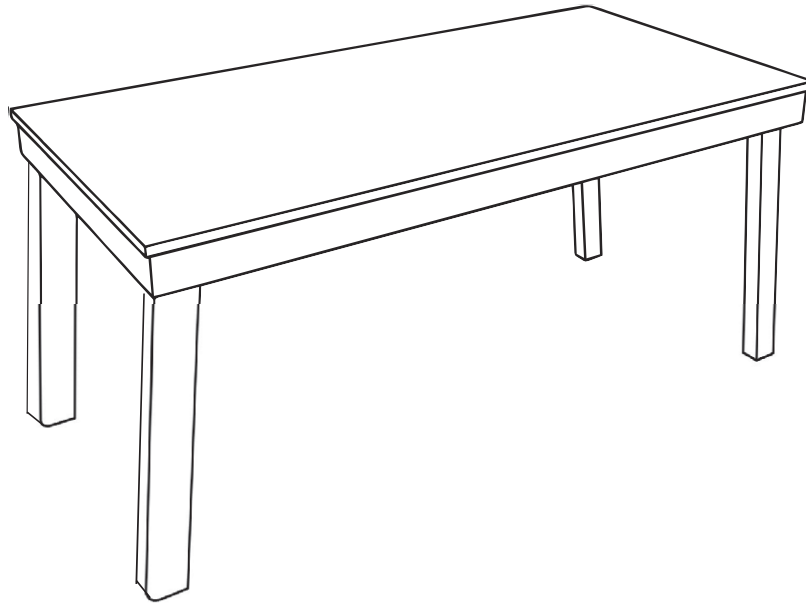


Insert the Bolt ( ② ) through the mounting position of the Leg and affix the Leg by using the Allen Wrench (③) as shown in the round picture. Repeat the same process for the other 03 Legs To ensure there is NO WOBBLES to the feet, DO NOT overtighten the Bolts.

Each Bolt ( ① ) & ( ② ) is to be driven in sequentially and where necessary, the Table may be turned to check for evenness.











It may be necessary to execute this check twice to ensure that all 02 Leg Frames are affixed to the Table (A) with no wobbles.

**Step 4**



Turn the Table upright carefully  
Proceed to fully tighten all Bolts (①) with using the Allen Wrench (③), in a sequential manner. Ensure that all Bolts are securely tightened.  
The Table is ready to use now

# Care & Maintenance

-  ● Furniture may scratch floors. We recommend using furniture pads to protect your floors.
-  ● Do not put hot items directly on furniture surface
-  ● Do not clean furniture with harsh cleansers or polish.
-  ● Do not place furniture under direct sunlight.
-  ● Do not place furniture near heating or cooling vents.
-  ● Do not write on furniture without a padded barrier to protect the surface.
-  ● Do not place furniture outside . For indoor use only .
-  ● Not for commercial use. For residential use only .
-  ● Stains may be removed with mild soap solution and damp cloth.
-  ● Children should not climb or jump on the furniture.

-  ● Dust and pick-up spills using a clean, non-colored, lint-free cloth .