










# Assembly Instructions

**Caution : You must read this before you proceed**

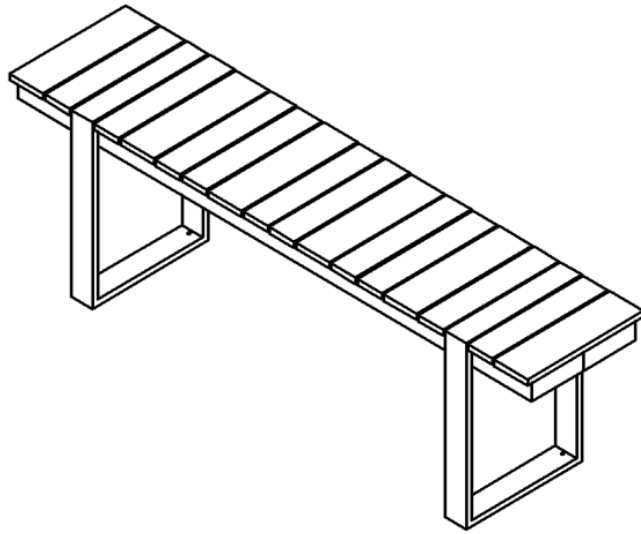
## Care & Maintenance

- ⊘  ● Not for commercial use. For residential use only.
- ⊘  ● Do not put hot items directly on furniture surface.
- ⊘  ● Do not clean furniture with harsh cleansers or polish.
- ✓  ● To obtain the longest lifespan of your outdoor products, minimizing exposure to direct sunlight is recommended.
- ⊘  ● Children should not climb or jump on the furniture.
- ⊘  ● Do not write on furniture without a padded barrier to protect the surface.
- ✓  ● To obtain the longest lifespan of your outdoor products, avoid extended and lengthy exposure to rain, snow, and direct sunshine. Whenever possible cover the product and /or place under patio or awnings.
- ⊘  ● Stains may be removed with mild soap solution and damp cloth.

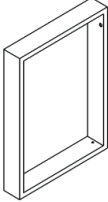
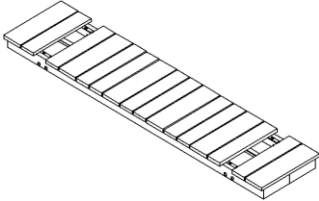
- ✓  ● Dust and pick-up spills using a clean, non-colored, lint-free cloth.

Please look in boxes for hardware packs and legs.  
Sets often ship in multiple boxes and may arrive a day or two apart.

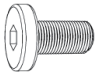
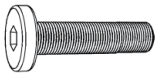



# Bench



## Parts List

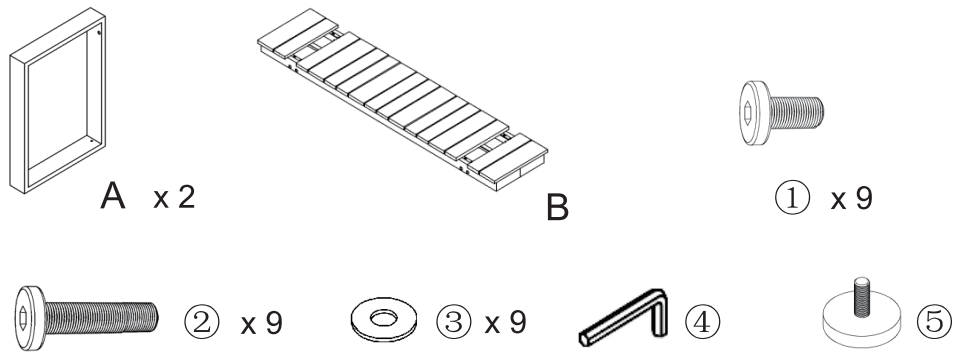
Label	Picture	Description	QTY
A		Leg	2
B		Bench Top	1

## Hardware

Label	Picture	Description	QTY
①		Bolt(M6*12MM) Flat Head	9
②		Bolt(M6*30MM) Flat Head	9
③		Washer	9
④		Allen Wrench(4MM)	1
⑤		Plastic plug	1

# Assembly Preparation

**Before Beginning Assembly :**



- Read instructions, cover to cover-



- Have 2 adults on hand for assembly-



- Do not assemble on flooring or carpet-



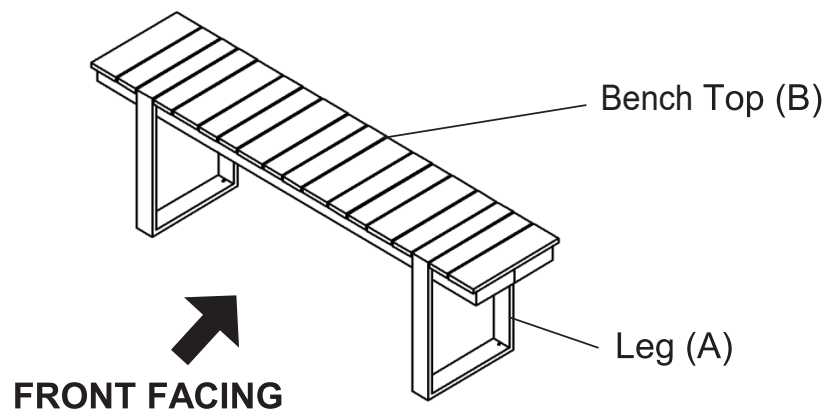
- Assemble on a clean non-marring surface (packing foam)-



- Save all packaging until finished-

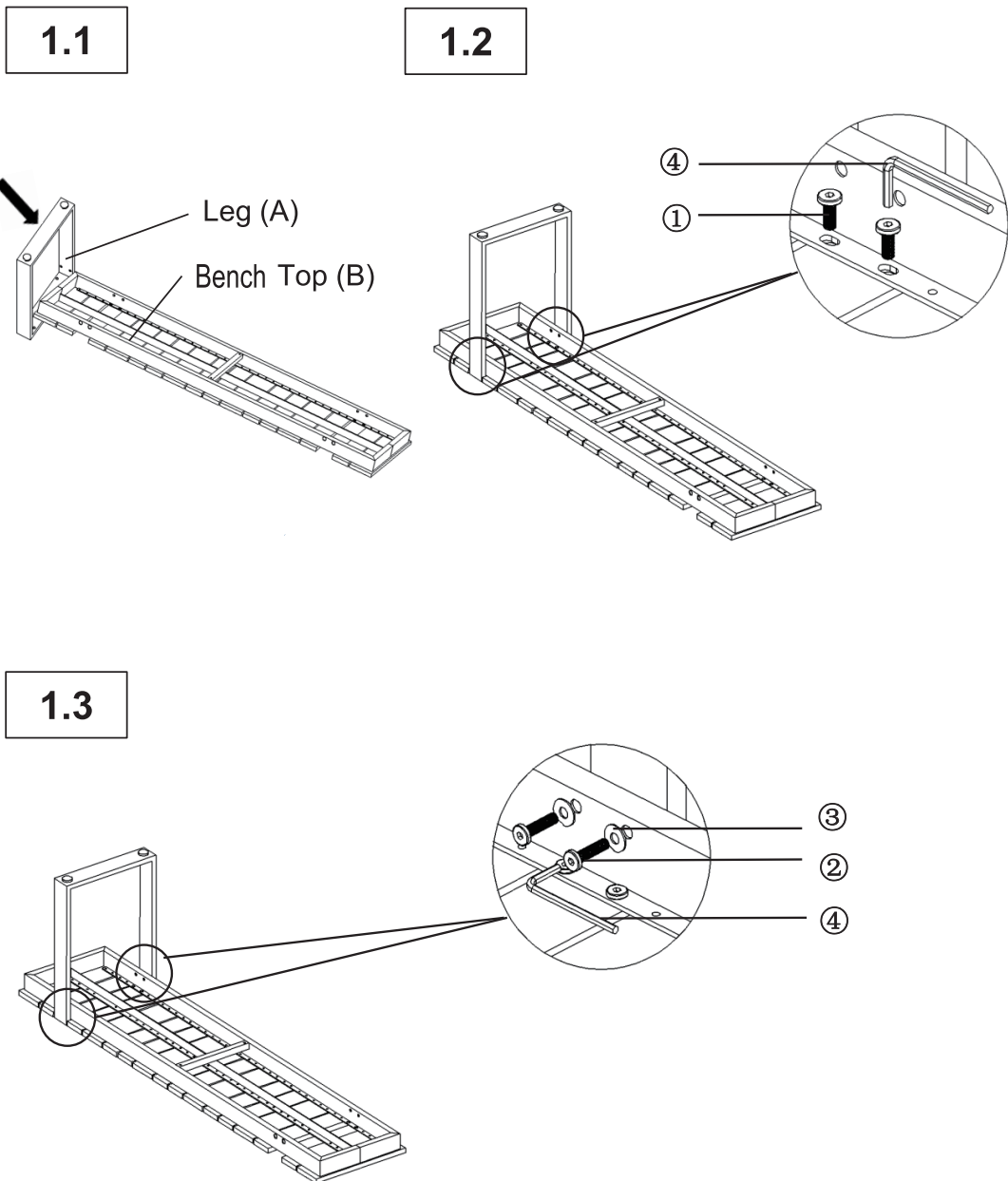
# Assembly Steps

## Overview



This Bench has multiple parts and may require up to 30 minutes to assemble. To give you an overview of the Bench parts, the above picture is to help you put the various parts into perspective. Please read through the instructions below to familiarise yourself with the parts and steps before assembly.

## Step 1



Open the carton and place all the parts onto a clean, non-marring surface.

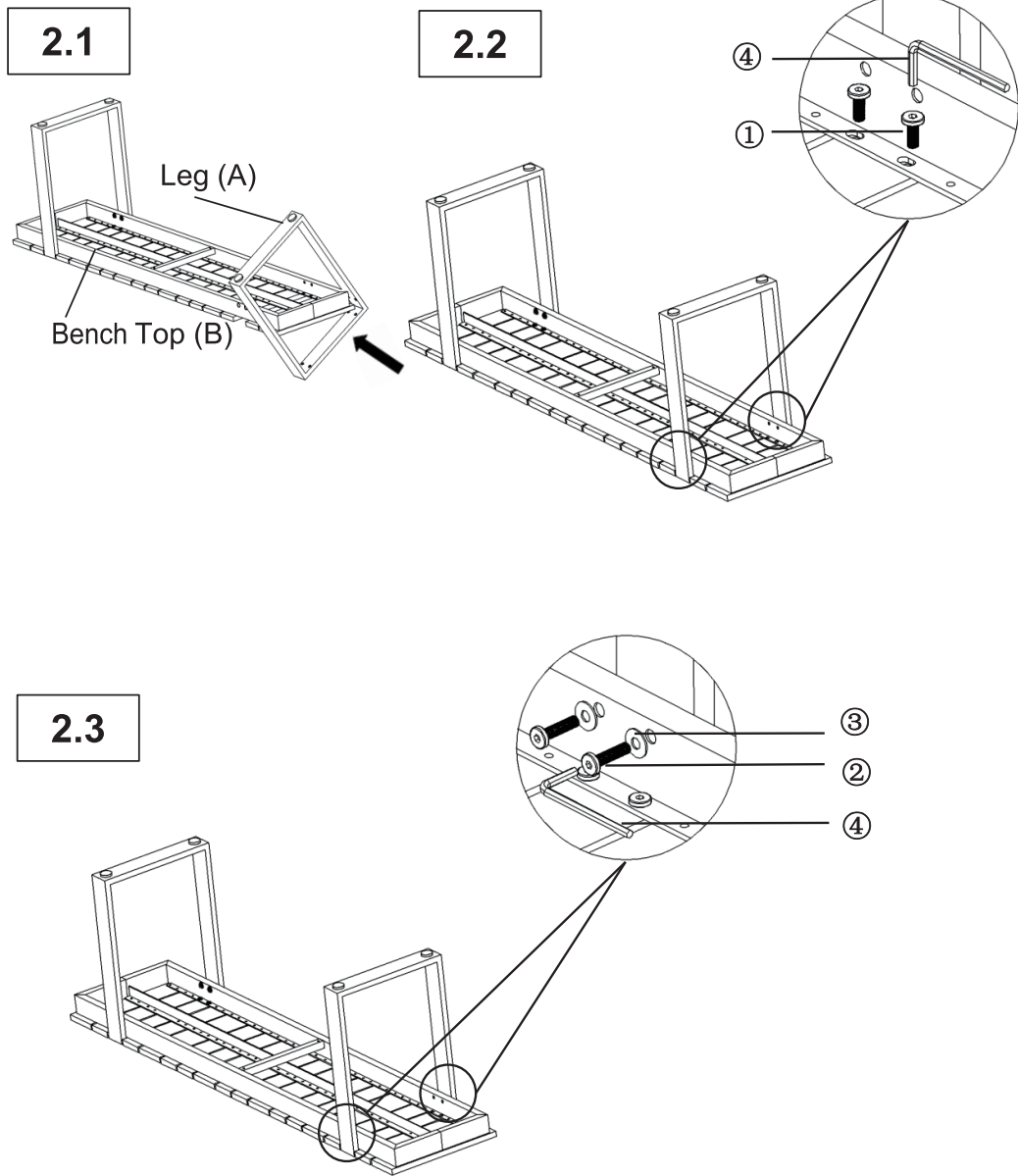
**1.1)** As shown in the figure above, tilt the seat plate (B) slightly to one side, and place the Leg tube (A) on the seat plate (B).

**1.2)** Attach the Leg(A) to the Bench Top(B) with Bolts(1) using the Allen wrench (4) as pictured.

**1.3)** Attach the Leg(A) to the Bench Top(B) with Bolts(2) and Washers(3) using the Allen wrench (4) as shown above.

**Do not fully tighten the Bolts.**

## Step 2



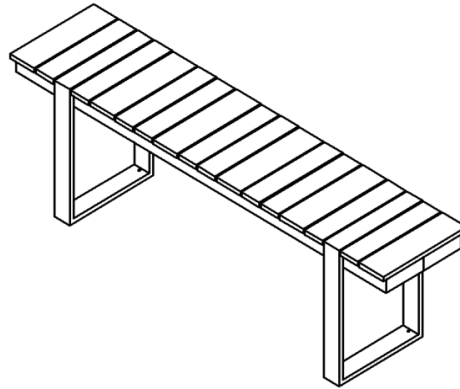
**2.1)** As shown in the figure above, tilt the seat plate (B) slightly to one side, and place the Leg tube (A) on the seat plate (B).

**2.2)** Attach the Leg(A) to the Bench Top(B) with Bolts(1) using the Allen wrench(4) as pictured.

**2.3)** Attach the Leg(A) to the Bench Top(B) with Bolts(2) and Washers(3) using the Allen wrench (4) as shown above.

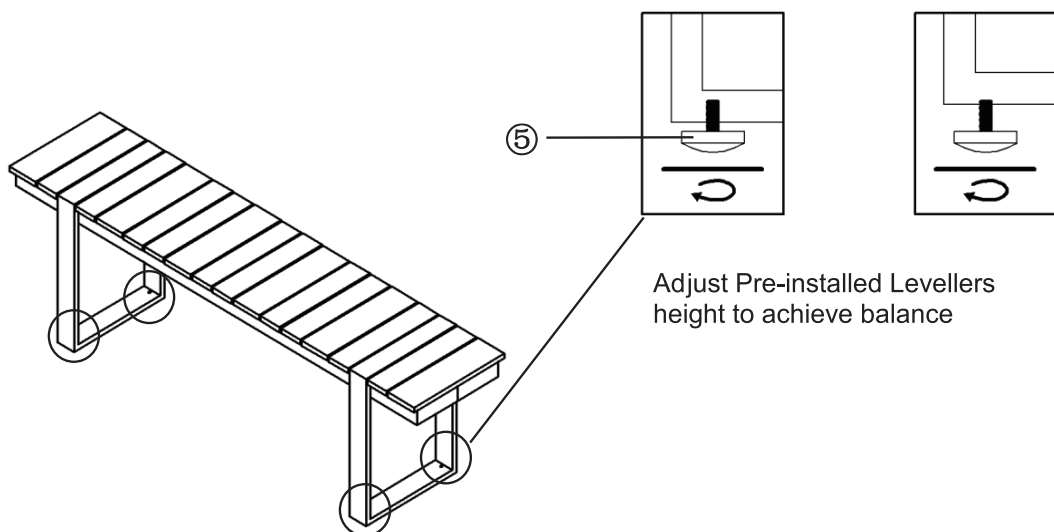
**Do not fully tighten the Bolts.**

### Step 3



Stand the Bench up, with assistance from your adult partner.  
Exert pressure floorwards, onto the Bench with both your hands.  
This pressure will help the Legs and the Bench Top reach full alignment status.  
Check for wobbles on a LEVEL surface.  
If no wobbles are found proceed to tighten the Bolts in a sequential manner, until evenly secured.  
**When tightening the Bolts tighten sequentially.**  
**Do not tighten any Bolt fully and then move on towards the next one.**  
**If there are still wobbles after tightening, loosen the Bolts and execute the same above process.**  
**If the Bench is not Stable it could lead to damage of the product.**  
Your Bench is ready for use.  
**This Bench can only be used on a flat, level surface.**

### Additional Hardware:



Insert the adjusting foot pad (5) into the Leg tube(A) , as shown in the figure above.  
Bench is ready for use.  
This Bench can only be used on a flat, level surface.