

Assembly Instructions

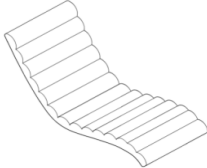


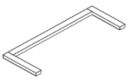



Caution: You must read this before you proceed

Please look in frame leg for hardware packs

Chaise Lounge



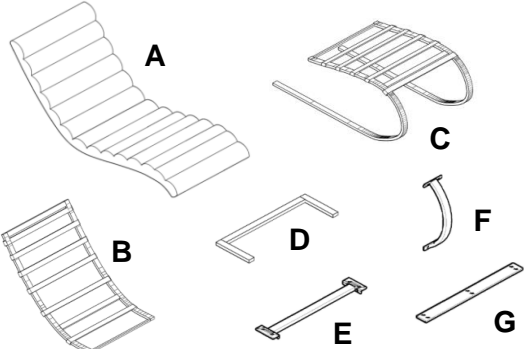








Parts List

| Label | Picture | Description | QTY |
|-------|---|------------------|-----|
| A |  | Cushion | 1 |
| B |  | Back Frame | 1 |
| C |  | Seat Frame | 1 |
| D |  | Extension Panel | 1 |
| E |  | Connecting Slat | 1 |
| F |  | Back Supporter | 1 |
| G |  | Connecting Plate | 1 |

Hardware

| | | | |
|---|---|---------------|----|
| ① |  | Bolt(M6*10mm) | 9 |
| ② |  | Bolt(M6*16mm) | 5 |
| ③ |  | Bolt(M6*25mm) | 7 |
| ④ |  | Spring Washer | 7 |
| ⑤ |  | Washer | 13 |
| ⑥ |  | Nut | 7 |
| ⑦ |  | Allen Wrench | 1 |
| ⑧ |  | Wrench | 1 |

Assembly Preparation

| | | | |
|-----------------------------------|--|---|---|
| <p>Before Beginning Assembly:</p> |  | <p>①  x9</p> <p>②  x5</p> <p>③  x7</p> <p>④  x7</p> <p>⑤  x13</p> <p>⑥  x7</p> | <p>⑦ </p> <p>⑧ </p> |
|-----------------------------------|--|---|---|



- Read instructions, cover to cover-



- Have 2 adults on hand for assembly-



- Do not assemble on flooring or carpet-



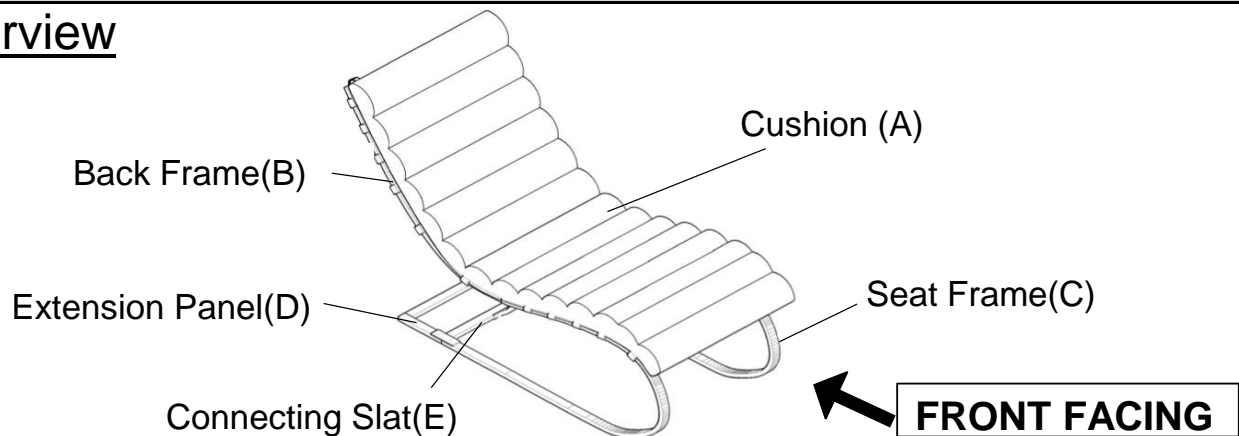
- Assemble on a clean non-marring surface (packing foam)-



- Save all packaging until finished-

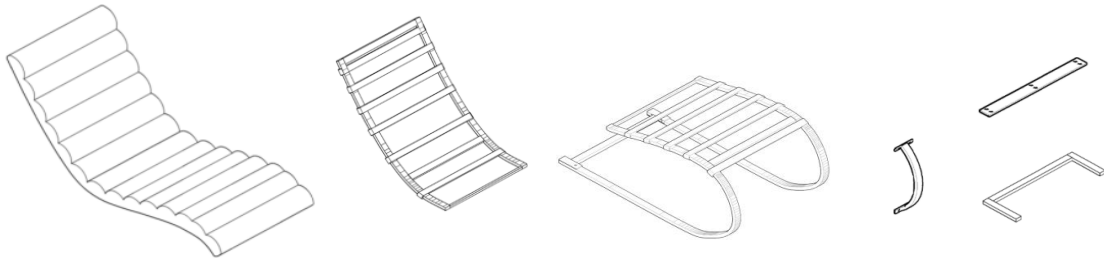
Assembly Steps

Overview



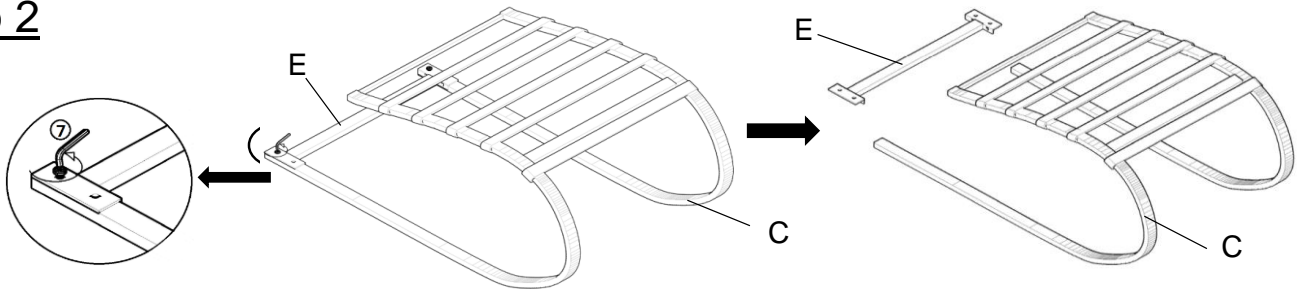
This Chaise Lounge has multiple parts and may require up to 30 minutes to assemble. To give you an overview of the Chaise Lounge parts, the above picture is to help you put the various parts into perspective. Please read through the instructions below to familiarise yourself with the parts and steps before assembly.

Step 1



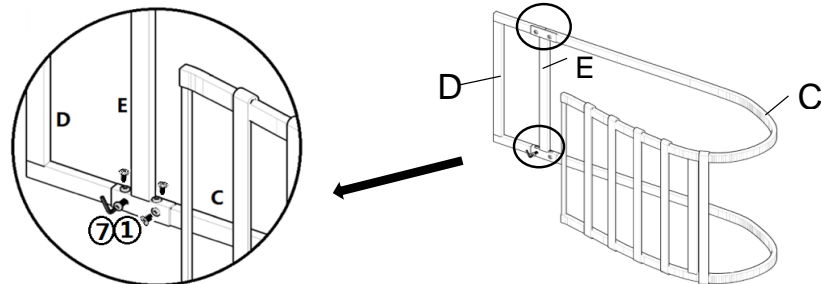
Unpack and place all parts on a clean, non-marring surface.

Step 2



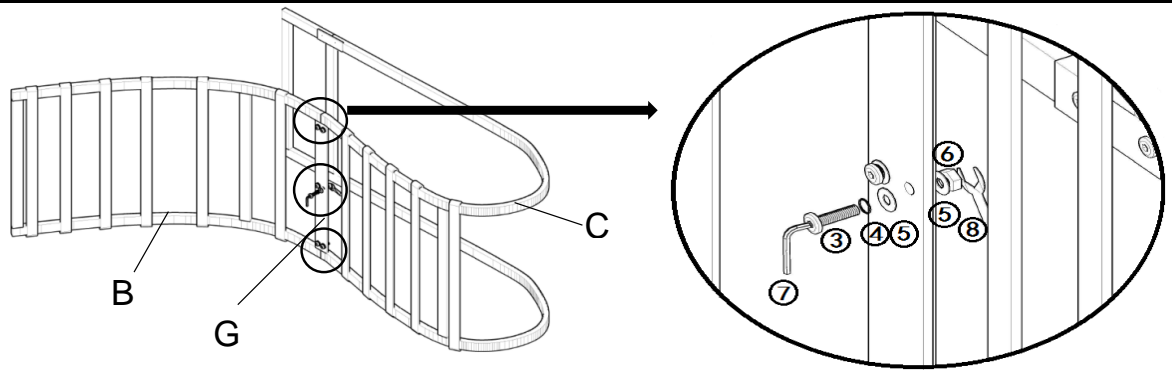
Place the assembled Connecting Slat(E) and Seat Frame(C) as pictured. Disassemble the Connecting Slat(E) from Seat Frame(C) by using Allen Wrench(7) in an anticlockwise manner. These two bolts are needless in the next steps.

Step 3



Place the Seat Frame(C) and the Extension Panel(D) on its side as pictured. Attach the Extension Panel(D) to the Seat Frame(C), then join them together using the Connecting Slat(E), 4 Bolts(1) on each side, and the Allen Wrench(7) as shown above. Fully tighten the Bolts in a sequential manner.

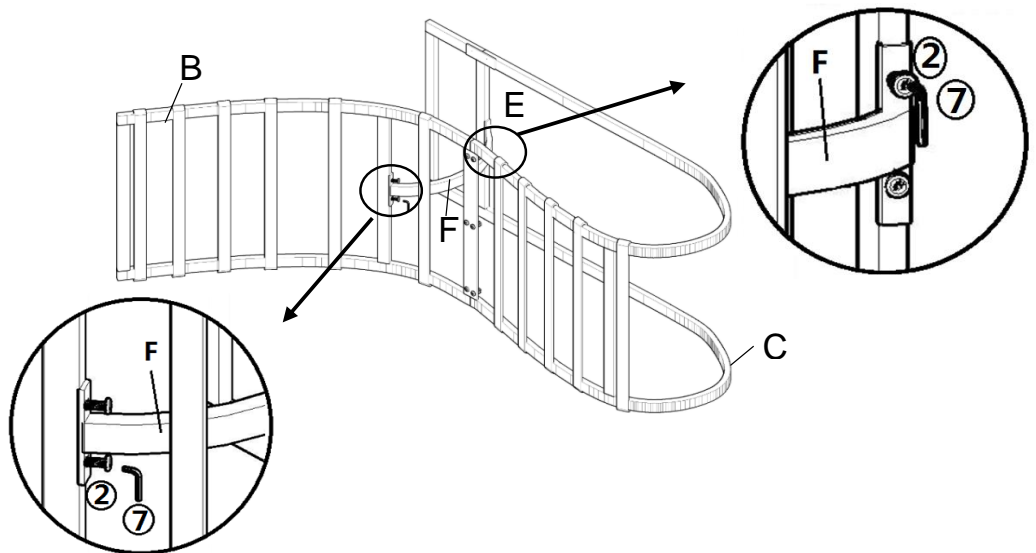
Step 4



Join the three mounting positions of the Back Frame(B) and the Seat Frame(C) together using the Connecting Plate(G), Bolts(③), Spring Washers(④), Washers(⑤) and Nuts(⑥), utilizing the Allen Wrench(⑦) to tighten the bolts on the top side, then use the Wrench(⑧) to tighten on the back as pictured.

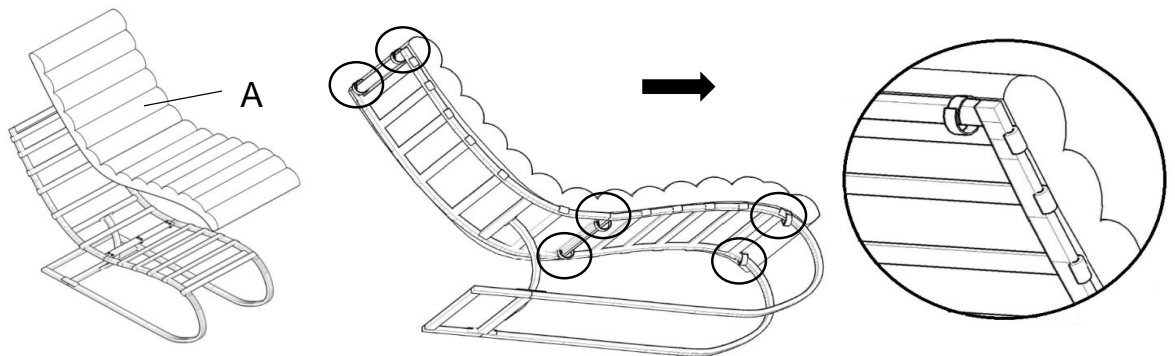
Fully tighten the Bolts in a sequential manner.

Step 5



Attach the Back Supporter(F) to the Back Frame(B) and the Connecting Slat(E) using Bolts(②) and the Allen Wrench(⑦) as pictured. Pay attention to attach the end marked "B end" to the Back Frame(B) and attach the end marked "E end" to the Connecting Slat(E) . Fully tighten the Bolts in a sequential manner.

Step 6



Turn the Chaise Lounge base right side up.

Attach the Cushion(A) onto the Stainless Steel Base by sticking together the 6pcs of magic tape to the back.












Step 7



Make sure all parts are connected and securely locked into position.
Your Chaise Lounge is ready for use.

This Chaise Lounge can only be used on a flat, level surface.

Care & Maintenance

- ✓  ● Furniture may scratch floors. We recommend using furniture pads to protect your floors.
- ⊘  ● Do not put hot items directly on furniture surface.
- ⊘  ● Do not clean furniture with harsh cleansers or polish.
- ⊘  ● Do not place furniture under direct sunlight.
- ⊘  ● Do not place furniture near heating or cooling vents.
- ⊘  ● Do not write on furniture without a padded barrier to protect the surface.
- ⊘  ● Do not place furniture outside . For indoor use only.
- ⊘  ● Not for commercial use. For residential use only.
- ⊘  ● Stains may be removed with mild soap solution and damp cloth.
- ⊘  ● Children should not climb or jump on the furniture.
- ✓  ● Dust and pick-up spills using a clean, non-colored, lint-free cloth.