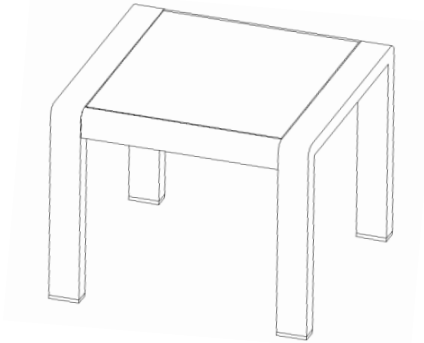


# Assembly Instructions

**Caution: You must read this before you proceed**

## Table



### Part List

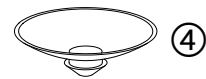
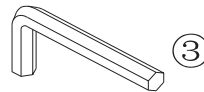
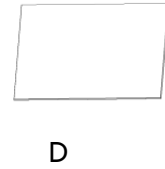
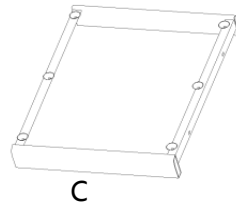
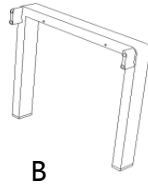
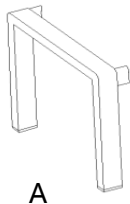
Label	Picture	Description	QTY
A		Left Leg	1
B		Right Leg	1
C		Table Top Frame (with Suction Cups)	1
D		Glass Top	1

### Hardware

Label	Picture	Description	QTY
①		Bolt (M6*20mm)	5
②		Bolt (M6*25mm)	5
③		Allen Wrench	1
④		Glass sucker	1

# Assembly Preparation

Before Beginning Assembly:



- Read instructions, cover to cover-



- Have 2 adults on hand for assembly-



- Do not assemble on flooring or carpet-



- Assemble on a clean non-marring surface (packing foam)-



- Save all packaging until finished-

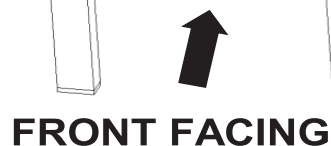
# Assembly Steps

Table Top (C)

Glass Top (D)

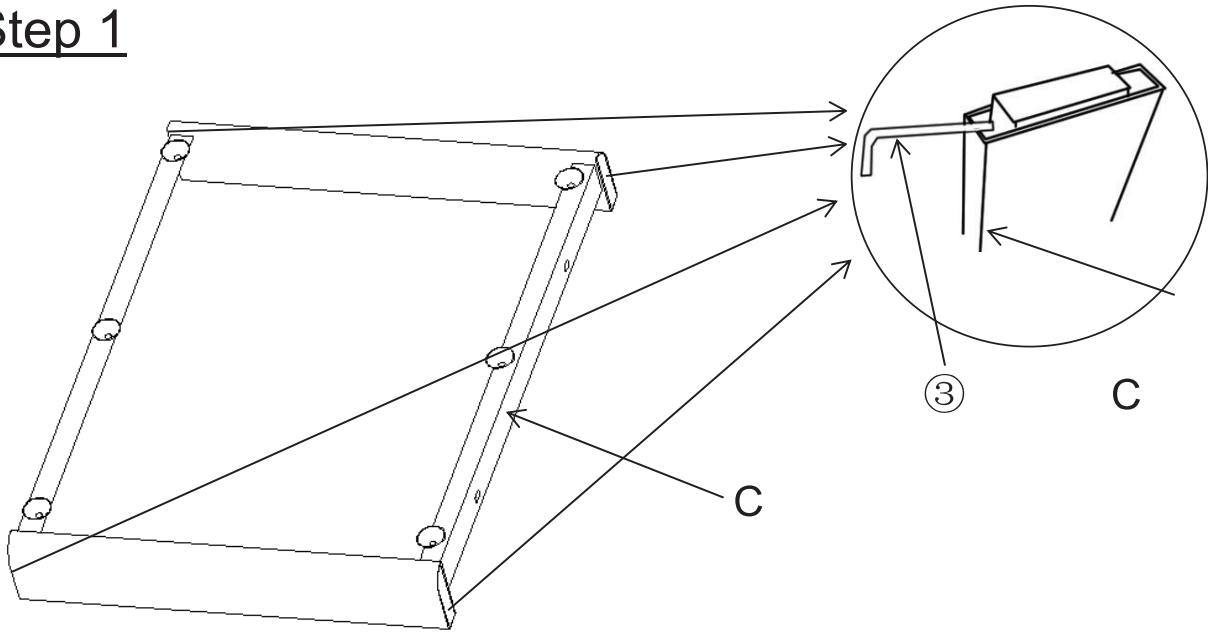
Left Leg (A)

Right Leg (B)



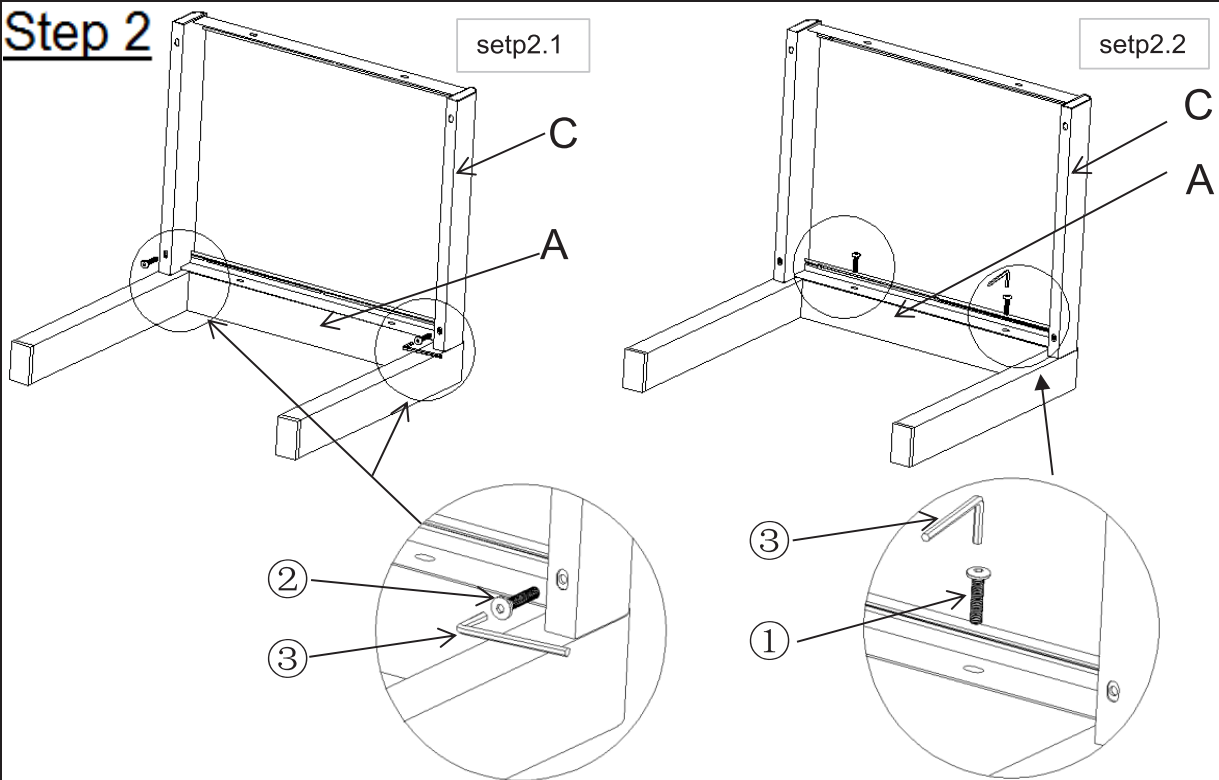
This Table has multiple parts and may require up to 30 minutes to assemble. To give you an overview of the Table parts, the above picture is to help you put the various parts into perspective. Please read through the instructions below to familiarise yourself with the parts and steps before assembly.

## Step 1



Take out the guards in the four ends of Table Top Frame(C) using Allen Wrench(③).

## Step 2

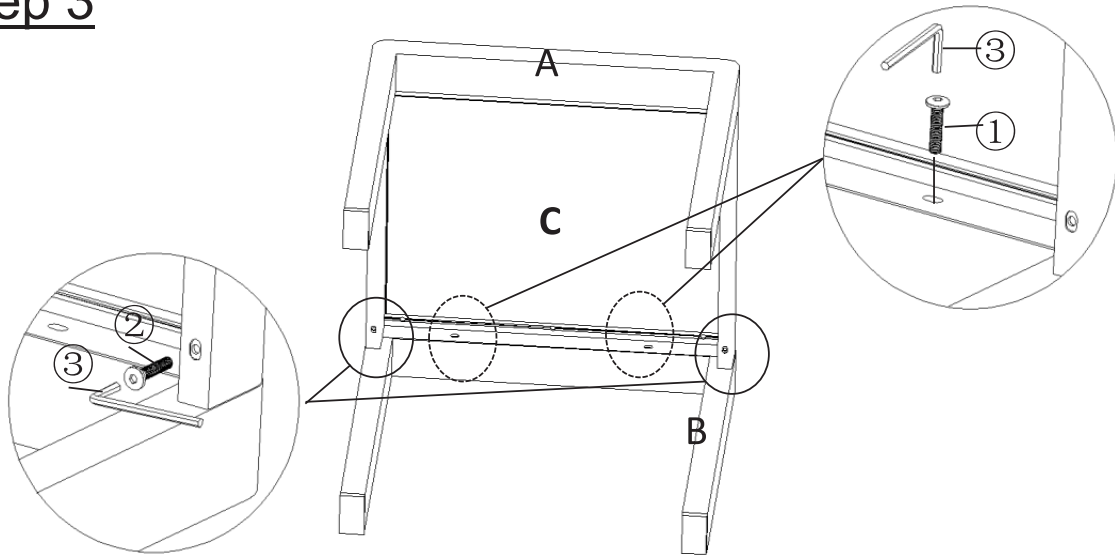


Step2.1: Attach the Table Top Frame(C) to the Left Leg(A) using Bolts(②) with Allen Wrench(③) as shown in the picture.

Step2.2: Attach the Table Top Frame(C) to the Left Leg(A) using Bolts(①) with Allen Wrench(③) as shown in the picture.

**Do not fully tighten the Bolts.**

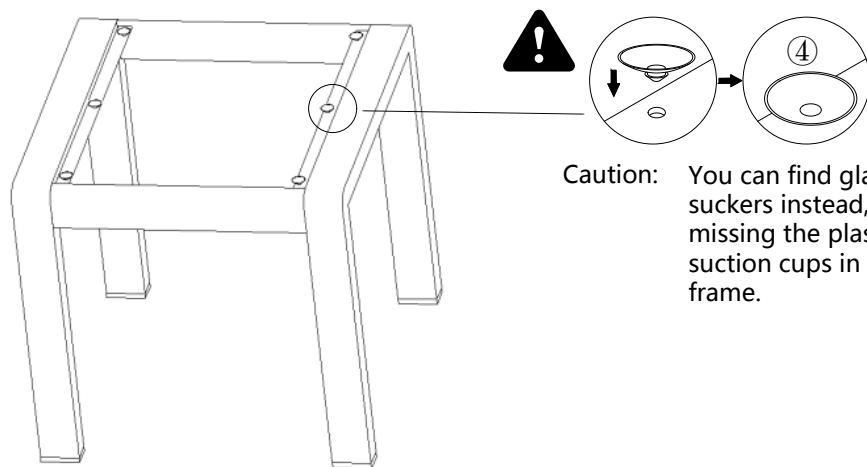
### Step 3



Attach Table Top Frame(C) to Right Leg(B) using Bolts(①) and Bolts(②)with Allen Wrench(③) as shown in the picture.

**Do not fully tighten the Bolts.**

### Step 4



**Caution:** You can find glass suckers instead, if missing the plastic suction cups in the frame.

Stand the Table up.

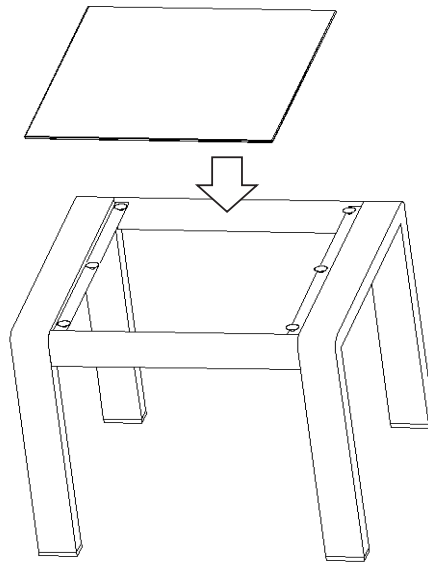
Firmly press down on the Table with both hands, this pressure will help align all parts at all joints fully.

**Then tighten all Bolts at all joints in a sequential manner.**

**DO NOT fully tighten a BOLT in one go and then move on to the next.**

**Rather, In a sequential manner, gradually tighten each Bolt until all Bolts are evenly secured. This methodology will ensure maximum evenness once all Bolts are fully tightened.**

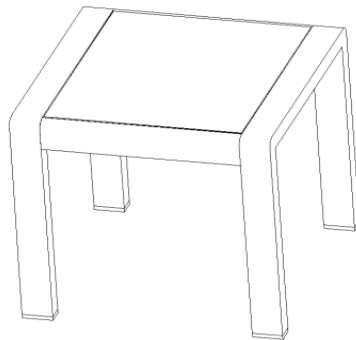
## Step 5



Place the Glass Top(D) on the assembled Table Frame.

**Caution: The Table and its Parts are Heavy. Two adults are required for lifting and moving them.**

## Step 6



Your Table is ready for use.

**This Table can only be used on a flat, level surface.**

**Stand the Ottoman up.**

**Put Cushion(C) on the Ottoman**

**Your Ottoman is ready for use.**

**Place the Ottoman on a LEVEL SURFACE.**

**Inspect it and make sure all parts are adequately connected.**

**Gently and carefully sit onto the Ottoman**

**This will help to align all parts at all joints. Then get off the Ottoman, and in a sequential manner, proceed to tighten all Bolts. When tightening the Bolts, tighten sequentially.**

**DO NOT tighten any Bolt fully and then move on to the next one.**

**This may cause the frame to warp.**











**If there are still wobbles, loosen the Bolts and execute this same process.**

**Note: This step is done best with the assistance of a second adult.**

**Your Ottoman is ready for use.**

**This Ottoman can only be used on a flat, level surface.**

## Care & Maintenance

-  ● Do not put hot items directly on furniture surface
  -  ● Do not clean furniture with harsh cleansers or polish.
  -  ● To obtain the longest lifespan of your outdoor products, minimizing exposure to direct sunlight is recommended.
  -  ● Children should not climb or jump on the furniture.
  -  ● Do not write on furniture without a padded barrier to protect the surface.
  -  ● To obtain the longest lifespan of your outdoor products, avoid extended and lengthy exposure to rain, snow, and direct sunshine. Whenever possible cover the product and /or place under patio or awnings.
  -  ● Not for commercial use. For residential use only .
  -  ● Stains may be removed with mild soap solution and damp cloth.
  -  ● Keep away from sources of ignition.
- 
-  ● Dust and pick-up spills using a clean, non-colored, lint-free cloth.