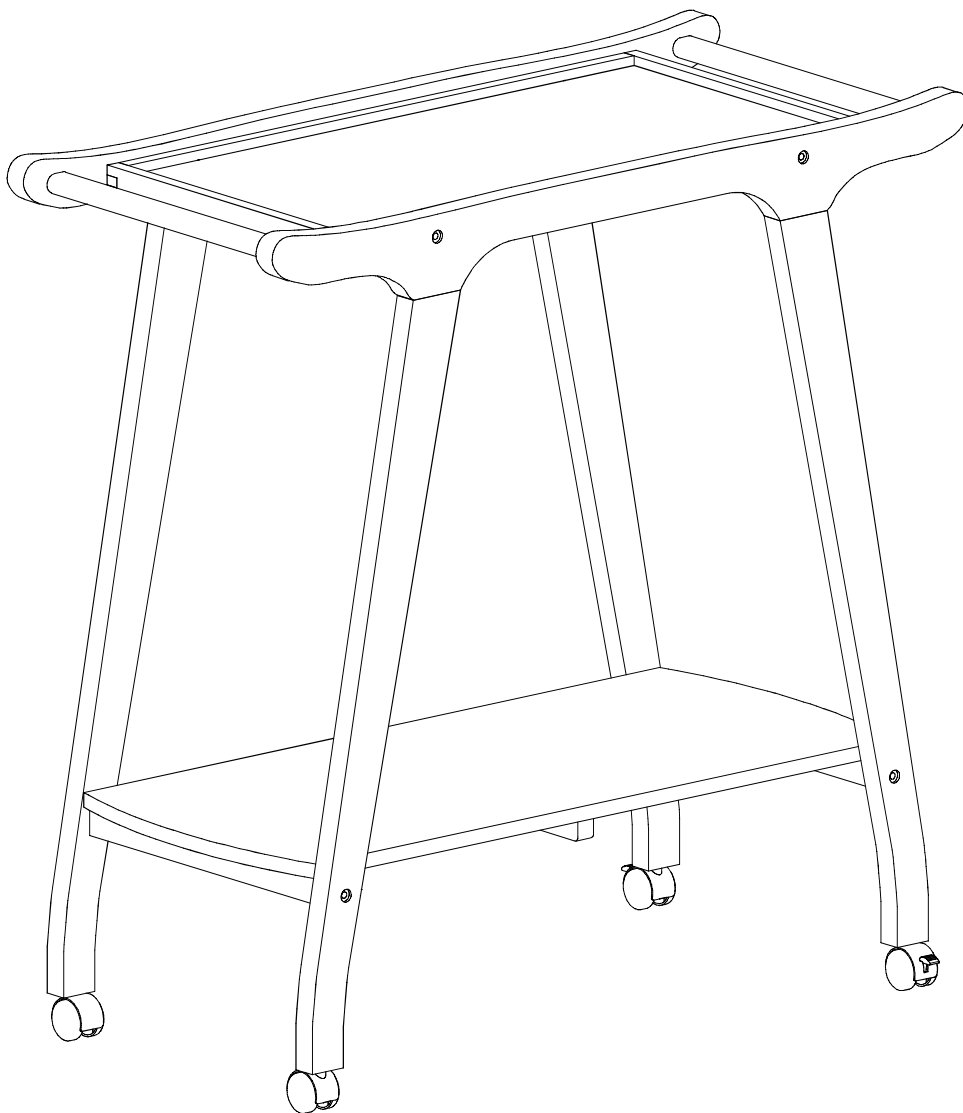


Assembly Instructions

Caution: You must read this before you process

Please look in the dummy box for hardware packs

BARCART

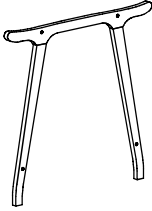
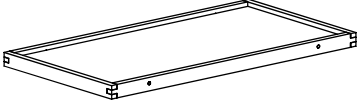
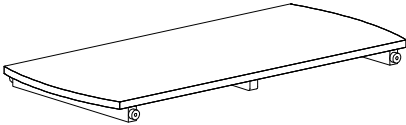
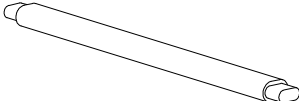




CAUTION: This Barcart is NOT a TOY.

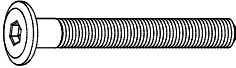
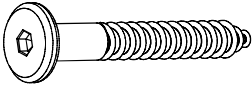

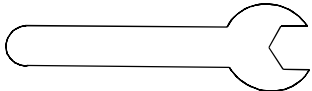
Keep your child / children at bay during the assembly process.

For moving the Barcart and to prevent damage to the Barcart, two adults are needed to execute this action.

Parts List

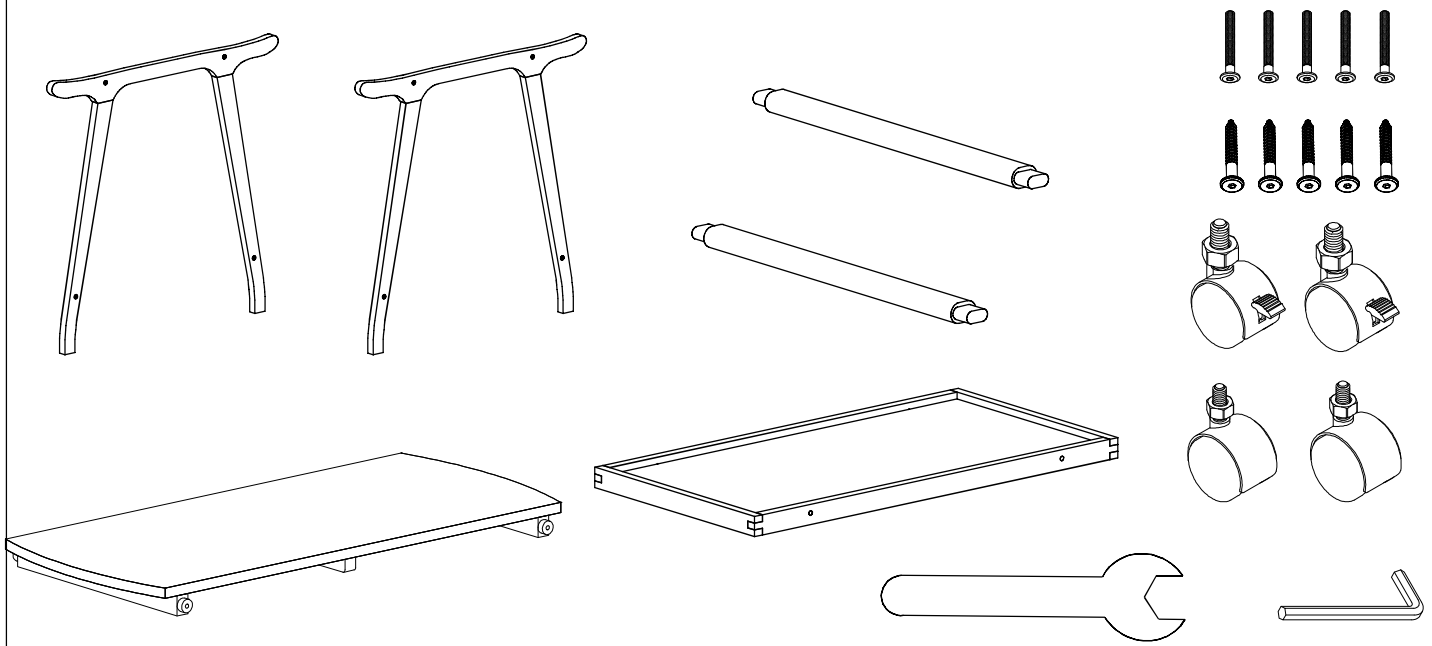
Label	Picture	Description	QTY
A		Leg Frame	2
B		Upper Tray	1
C		Lower Tray	1
D		Handle	2
E		Blocked Wheel	2
F		Wheel	2

Hardware

Label	Picture	Description	QTY
①		Bolts (M6x35mm)	5
②		Allen Screw (M6x60mm)	5
③		Allen Wrench	1
④		Spanner Wrench	1

Assembly Preparation

Before Beginning Assembly:



• Read instructions, cover to cover-



• Have 2 adults on hand for assembly-



• Do not assemble on flooring or carpet-



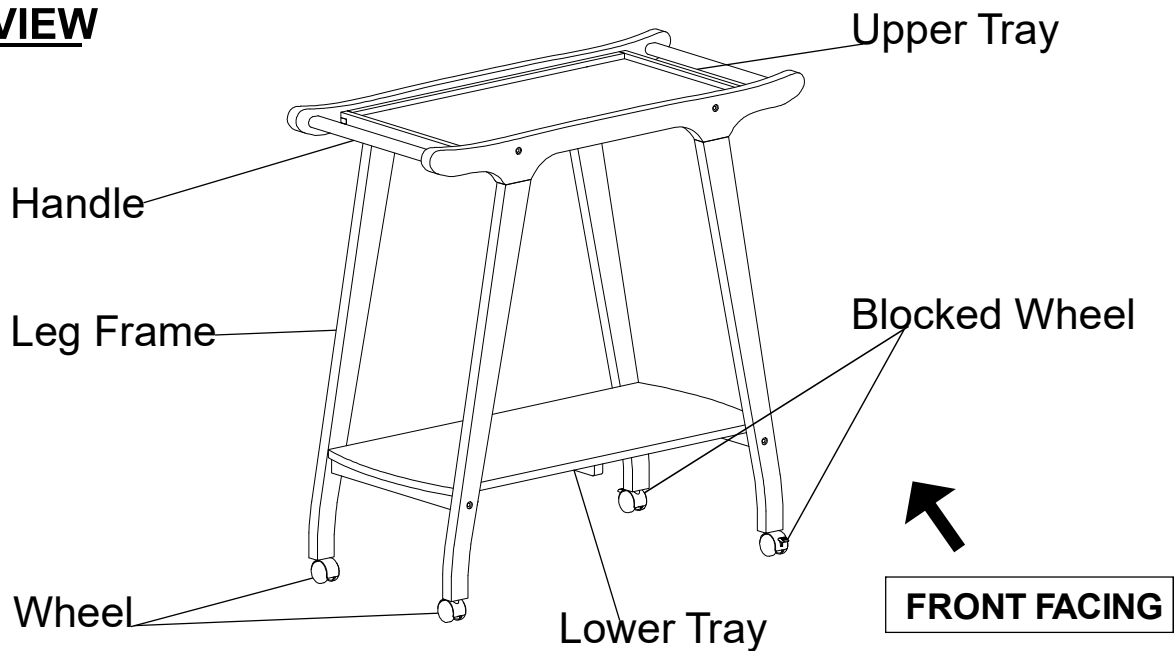
• Assemble on a clean non-marring surface (packing foam)-



• Save all packaging until finished-

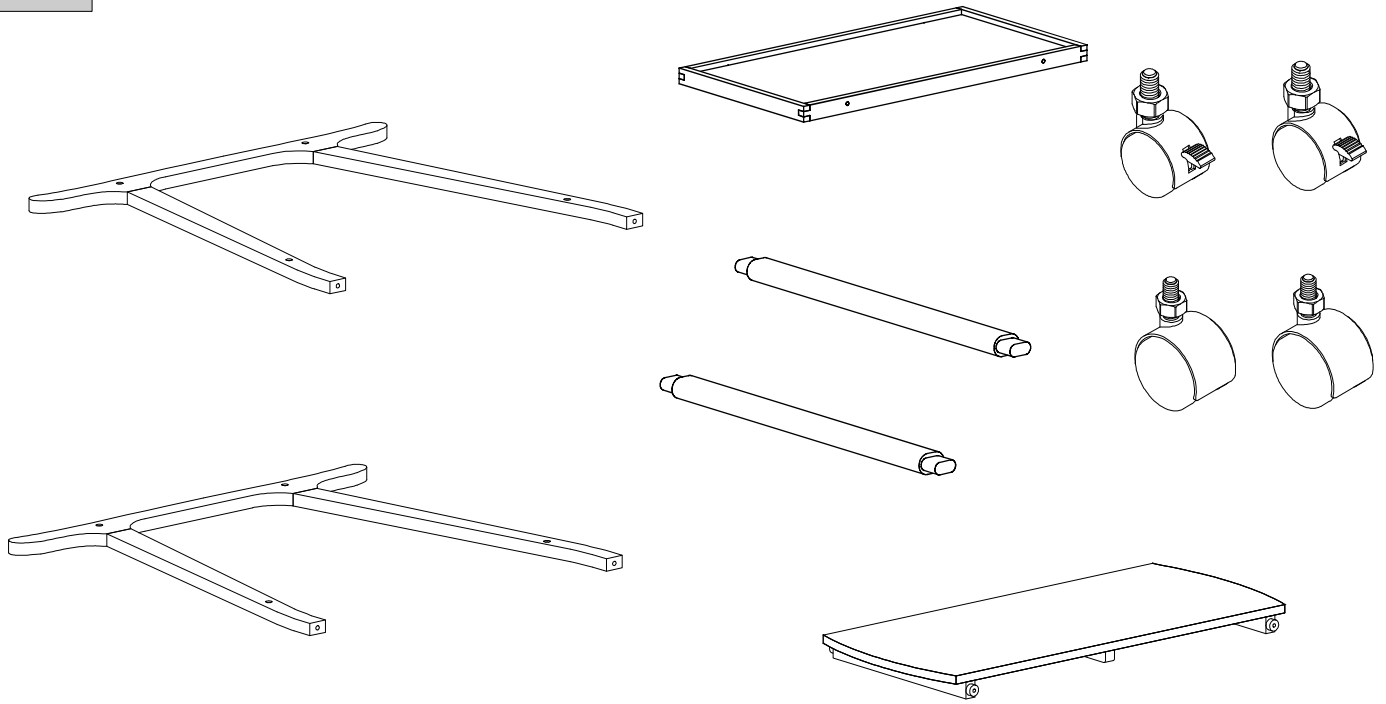
Assembly Steps

OVERVIEW



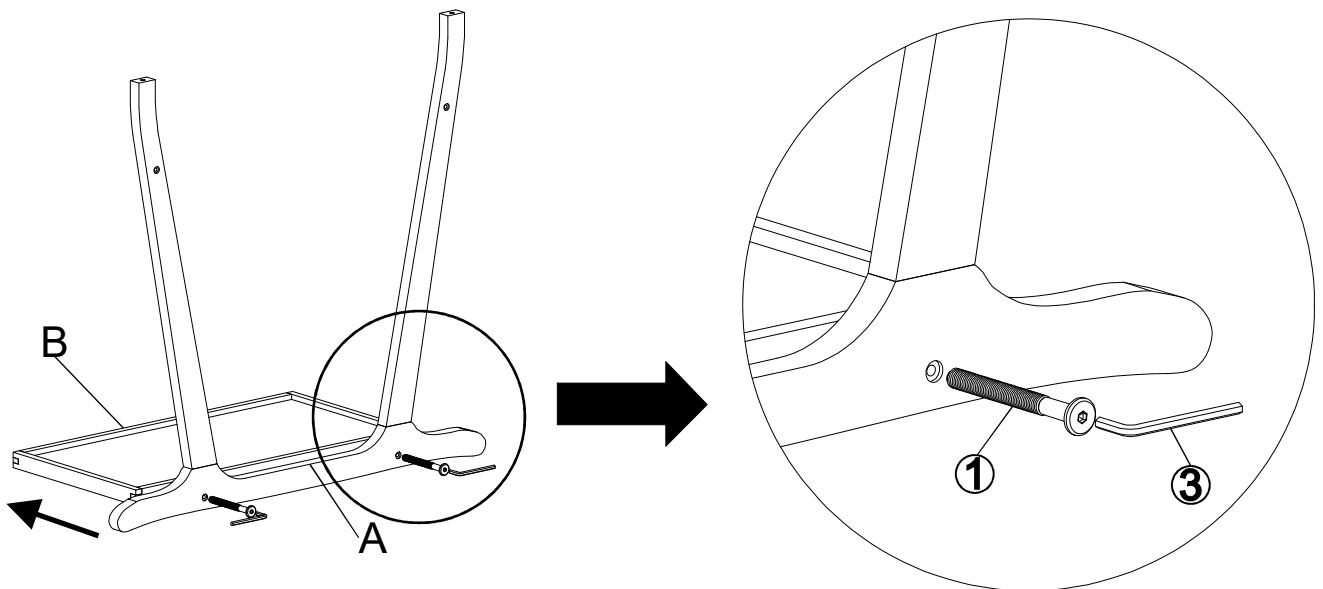
This Barcart has multiple parts and may require up to some 30 minutes to assemble. To give you an overview of the Barcart parts, the above picture is to help you put the various parts into perspective. Please read through the instructions below to familiarise yourself with the parts and steps before assembly.

Step 1



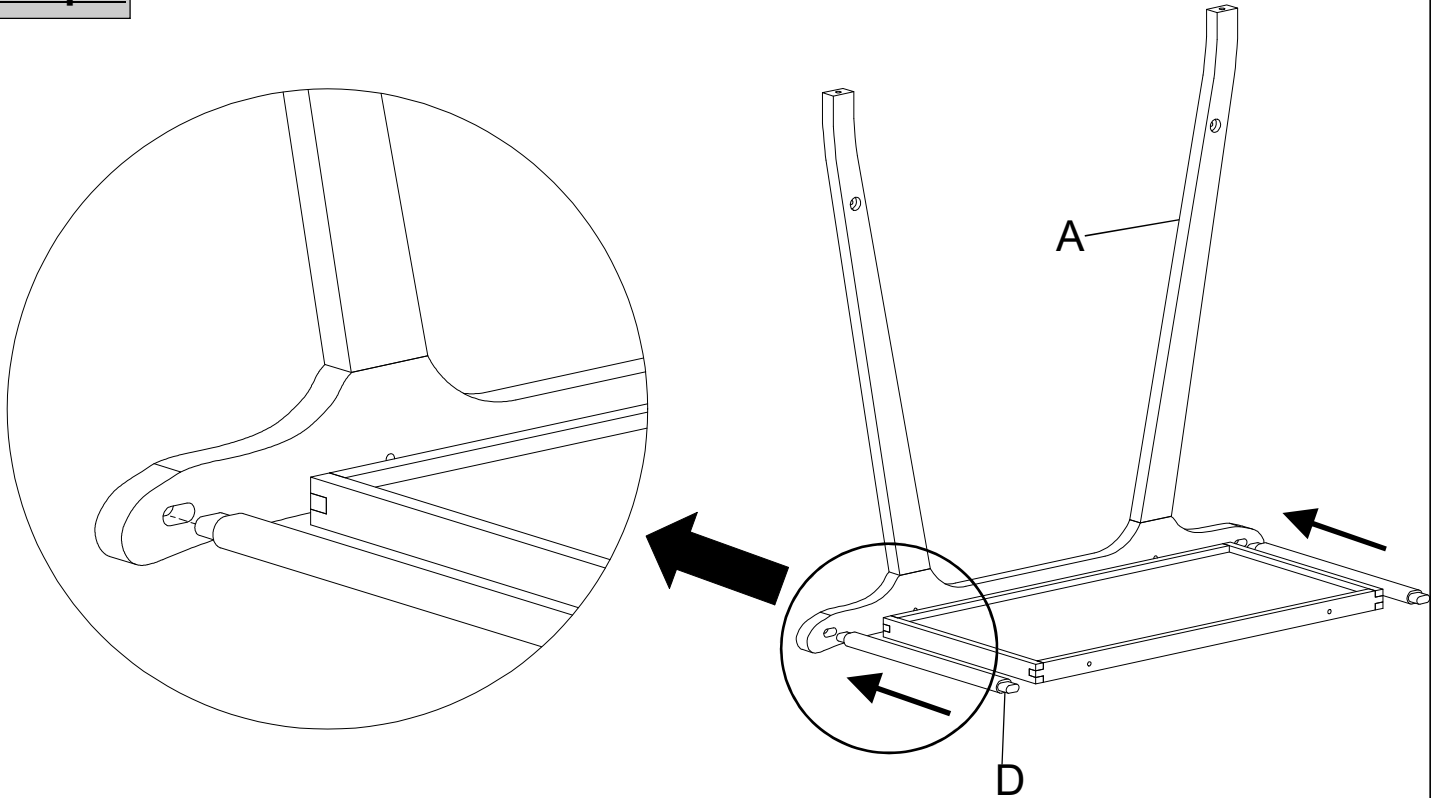
Unpack and place all parts on a clean, non-marring surface.

Step 2



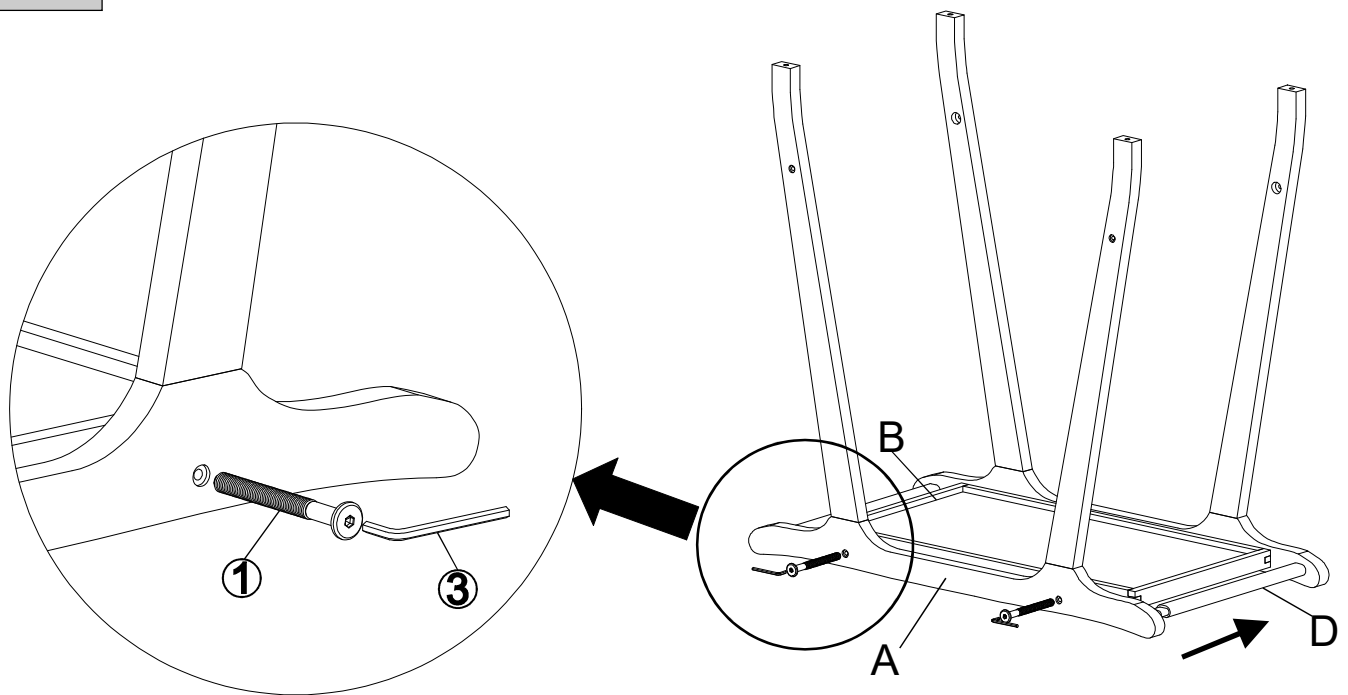
Place the Upper Tray (B) on a clean, non-marring surface as shown in picture above. Position Leg Frame (A) into Upper Tray (B), secure by using Bolts(①) with Allen Wrench(③).
Do not fully tighten the Bolts.

Step 3



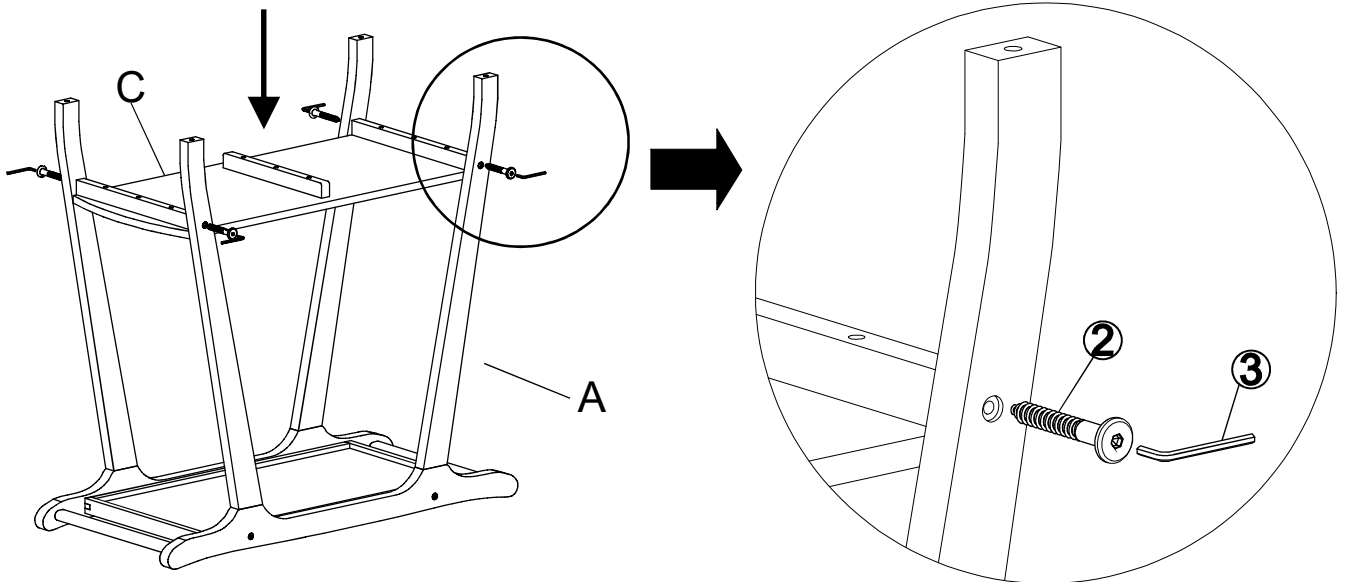
Insert Handle (D) into Leg Frame (A) as shown in the picture.
Repeat the same process with other Handle (D).

Step 4



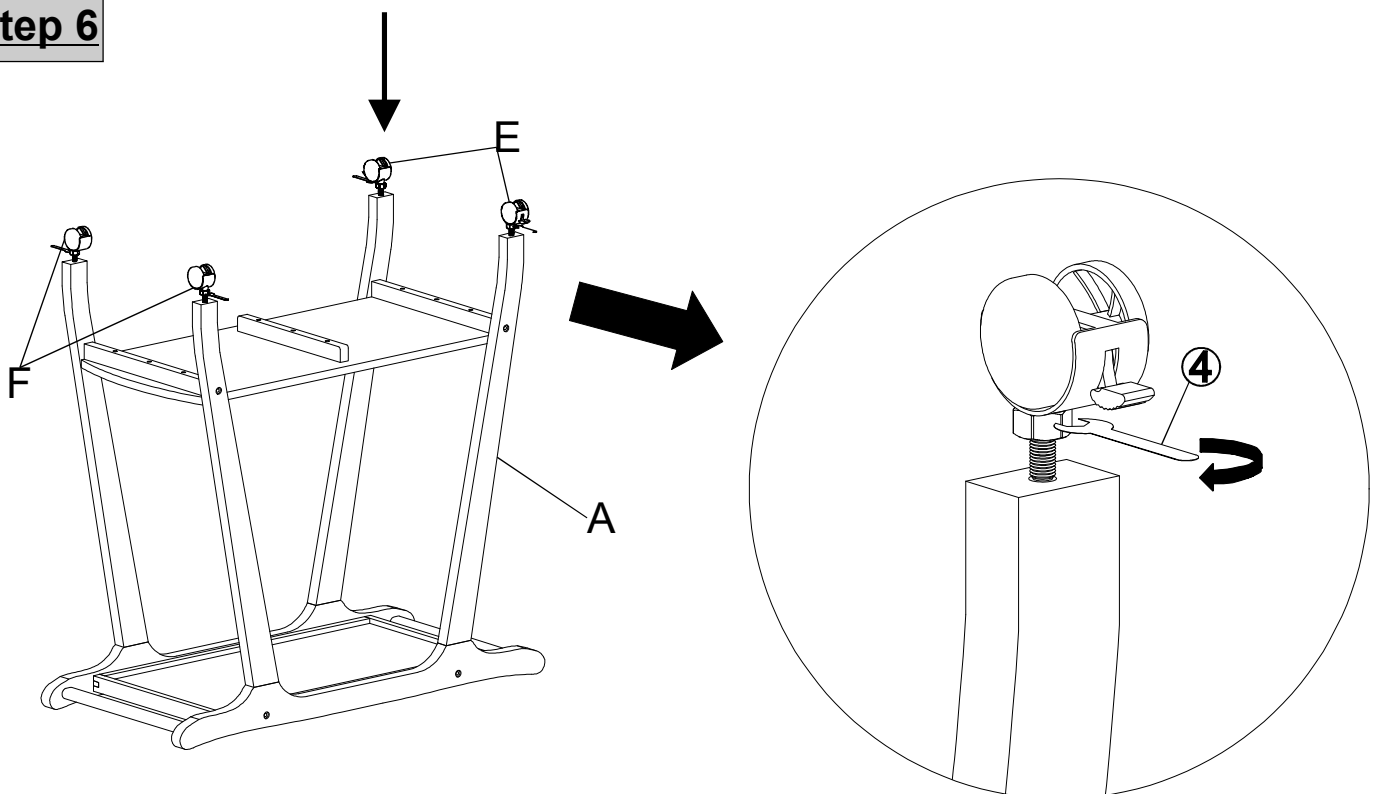
Attach the other Leg Frame (A) into Handles (D) and Upper Tray (B)
as shown in the picture.
Secure Leg Frame (A) into Upper Tray (B) by using Bolts(①) with Allen Wrench(③).
Do not fully tighten the Bolts

Step 5



With assistance from your adult partners, position the Lower Tray (C) onto the Leg Frame (A) as shown in picture above. Secure the Lower Tray (C) and Leg Frame (A) using Screws (2) with Allen Wrench (3). **Do not fully tighten the Screws.**

Step 6



Insert Blocked Wheel (E) and Wheel (F) into Leg Frame (A) as shown in the picture. Use Spanner Wrench (4) to secure the wheels into the Leg Frame (A). Repeat the same process with other wheels. **Note: On this step, it will have two Blocked Wheels and two Wheels. Two Blocked Wheels should be in one side that parallel with Handle (D).**

Step 7



With assistance from your adult partners, turn the Barcart back to normal flat ground

EXERT pressure, floorwards, onto the Barcart.











This pressure will help the Legs and Barcart Top reach alignment at all joints. Check for wobbles.


In a sequential manner, gradually tighten all Screws, Bolts until evenly secured. Inspect the Barcart and make sure all parts are adequately connected.

Your Barcart is ready for use.

This Barcart can only be used on a flat, level surface.

Care & Maintenance

- ✓  ● Furniture may scratch floors. We recommend using furniture pads to protect your floors.
- ⊘  ● Do not put hot items directly on furniture surface
- ⊘  ● Do not clean furniture with harsh cleansers or polish.
- ⊘  ● Do not place furniture under direct sunlight.
- ⊘  ● Do not place furniture near heating or cooling vents.
- ⊘  ● Do not write on furniture without a padded barrier to protect the surface.
- ⊘  ● Do not place furniture outside . For indoor use only .
- ⊘  ● Not for commercial use. For residential use only .
- ⊘  ● Stains may be removed with mild soap solution and damp cloth.
- ⊘  ● Children should not climb or jump on the furniture.

- ✓  ● Dust and pick-up spills using a clean, non-colored, lint-free cloth .