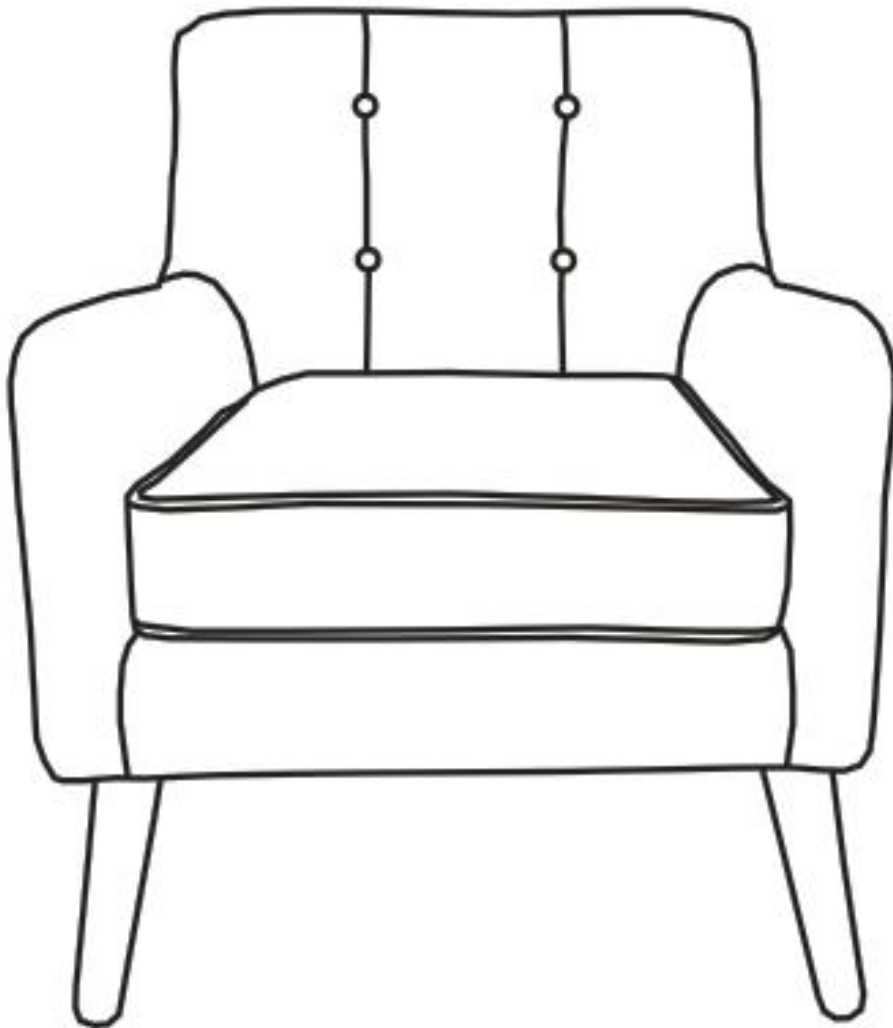




Assembly Instructions

Caution: You must read this before you proceed.

Club Chair



Parts List

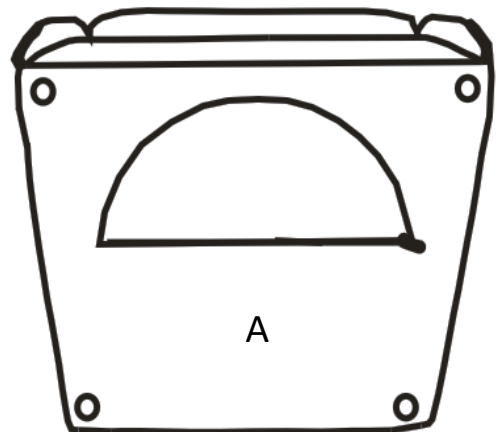
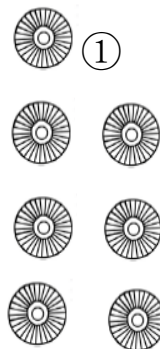
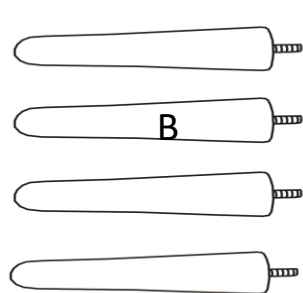
Label	Picture	Description	QTY
A		Chair Seat	1
B		Wooden Leg	4

Hardware

Label	Picture	Description	QTY
①		Gasket	7

Assembly Preparation

Before Beginning Assembly:



- Read instructions, cover to cover-



- Have 2 adults on hand for assembly-



- Do not assemble on flooring or carpet-



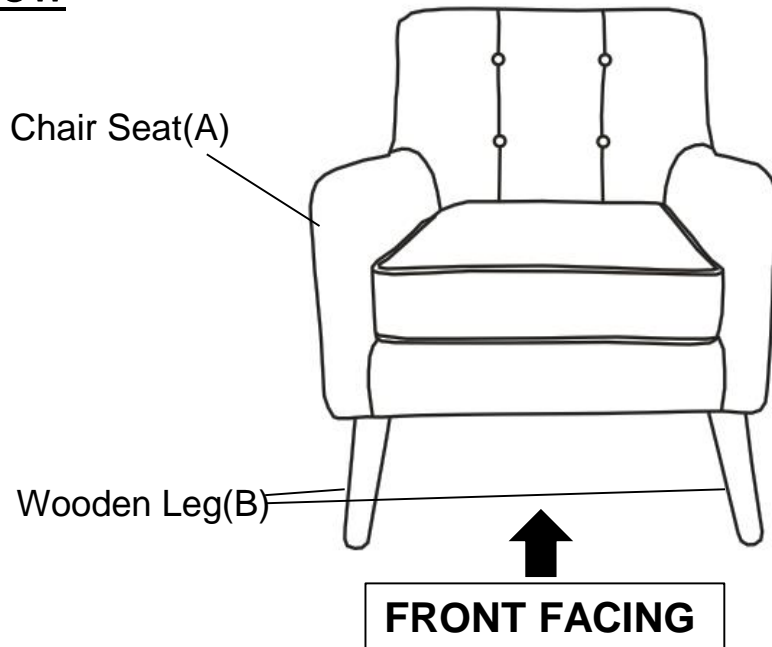
- Assemble on a clean non-marring surface (packing foam)-



- Save all packaging until finished-

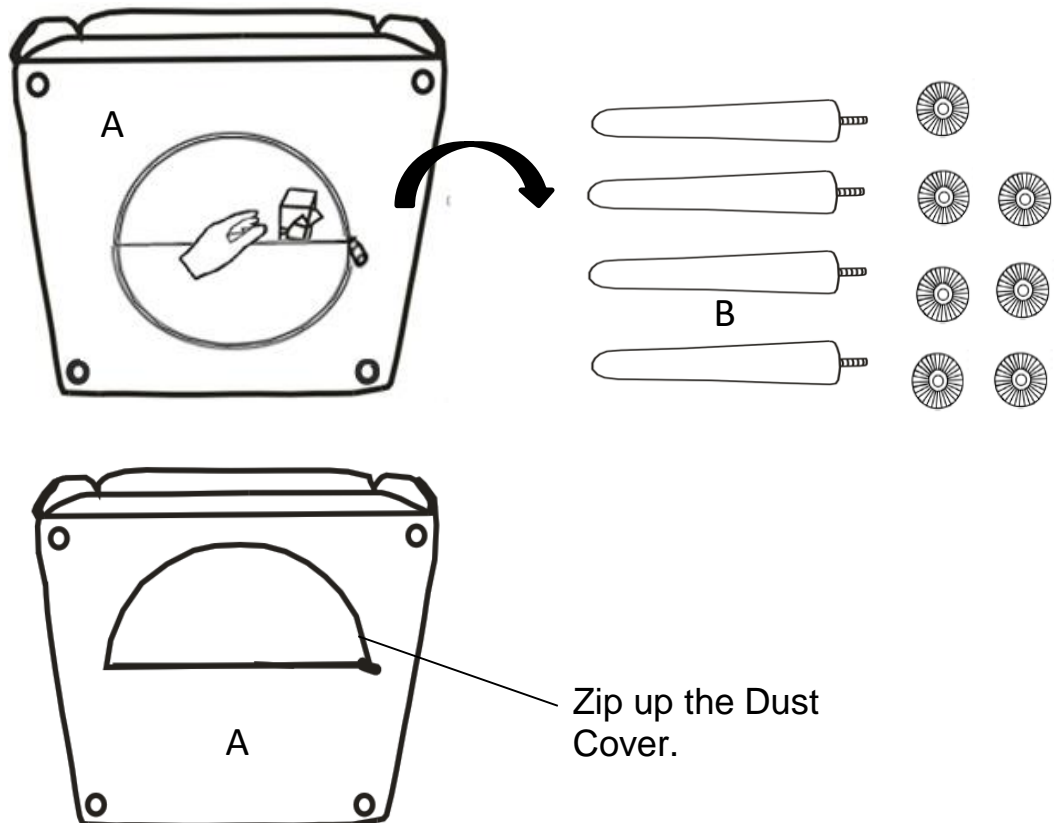
Assembly Steps

Overview



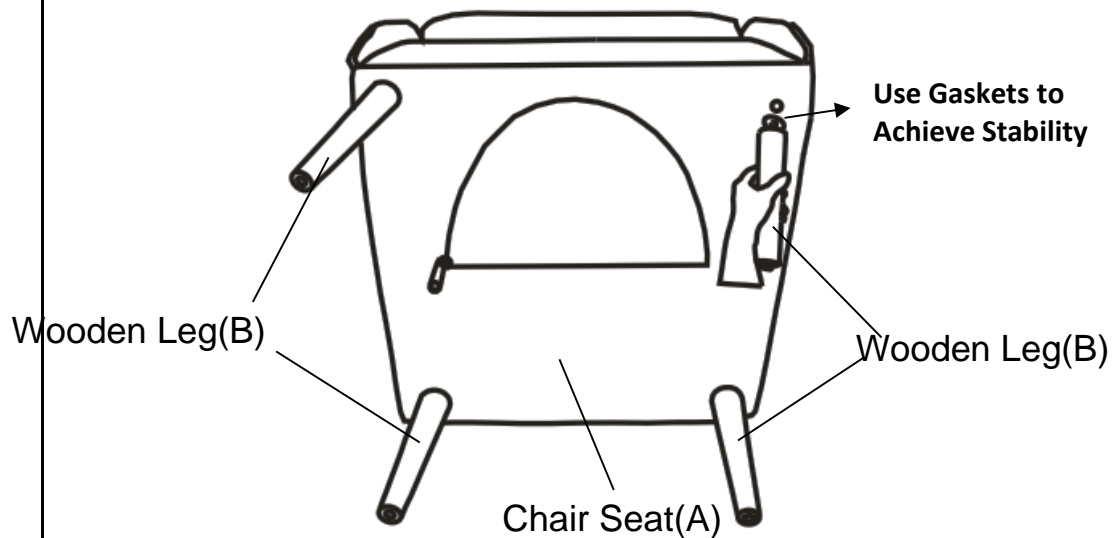
This Club Chair has multiple parts and may require up to 30 minutes to assemble. To give you an overview of the Club Chair parts, the above picture is to help you put the various parts into perspective. Please read through the instructions below to familiarise yourself with the parts and steps before assembly.

Step 1



Place the Chair Seat(A) on a clean, non-marring surface with the bottom facing you, as shown in the picture above.
Carefully unzip the Dust Cover at the bottom, and remove the Legs.
Zip up the Dust Cover.

Step 2



Install the Wooden Leg(B) into the Chair Seat(A) by putting a Gasket(①) on the threaded stem of the Leg.

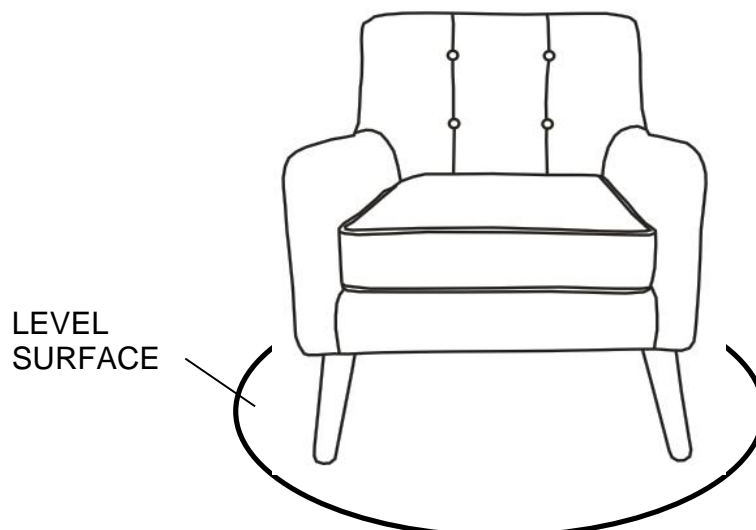
Then insert the threaded stem of the Wooden Leg(B) into the Top Corner mounting positions of the bottom of the Chair Seat(A).

Affix the Leg by turning it clockwise by hand until secure.

Repeat this process with the remaining three Wooden Legs.

Note: The use of the Gaskets are OPTIONAL and are especially useful to help alleviate slight wobbles. Some Legs may need more than one whilst some Legs may not need any.

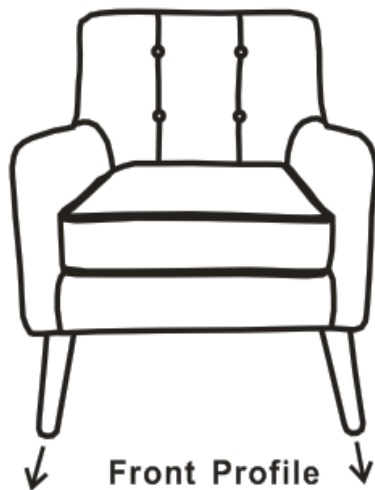
Step 3



Position the Chair right side up and test for stability.

Add or remove Gaskets(①) where needed to achieve stability.

Step 4



Front Profile

Front legs should splay toward the left and right sides



Side Profile

Back legs should splay towards the back.

Make sure all the parts are connected and securely locked into position and Legs are in the correct positions.

After completion of the assembly, the Left Front Leg shall be splayed towards to the Left and the Right Front Leg to the right.

The Back Legs should splay outwards and towards the back.

If the Legs do not point in an outward direction, Gaskets can be added or removed to achieve the necessary angle.

Your Club Chair is ready for use.

This Club Chair can only be used on a flat, level surface.

Care & Maintenance



- Furniture may scratch floors. We recommend using furniture pads to protect your floors.



- Do not put hot items directly on furniture surface.



- Do not clean furniture with harsh cleansers or polish.



- Do not place furniture under direct sunlight.



- Do not place furniture near heating or cooling vents.



- Do not write on furniture without a padded barrier to protect the surface.



- Do not place furniture outside . For indoor use only.



- Not for commercial use. For residential use only.



- Stains may be removed with mild soap solution and damp cloth.



- Children should not climb or jump on the furniture.



- Dust and pick-up spills using a clean, non-colored, lint-free cloth.