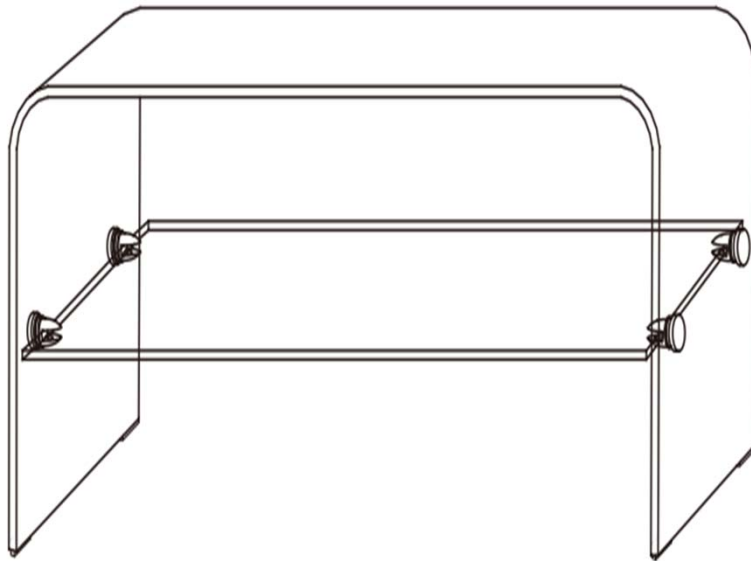


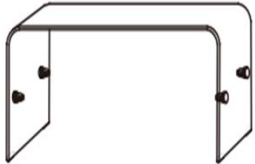

# Assembly Instructions

**Caution : You must read this before you proceed.**

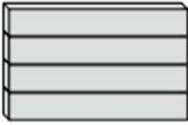



## Glass Table



### Parts List

No.	Picture	Description	Qty
A		Glass Table Main Frame ( Glass )	1
B		Glass Shelf	1

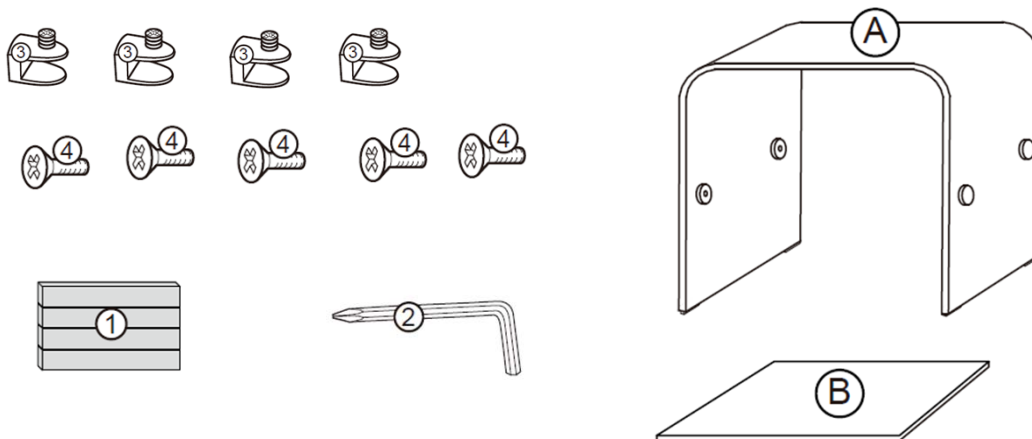
# Hardware






1		Pad	1
2		Allen Key	1
3		Bracket	4
4		Screw	5

## Assembly Preparation

**CAUTION:** This table is made of glass and is heavy. You must have a second adult to help you during the entire process. Care must be exercised.

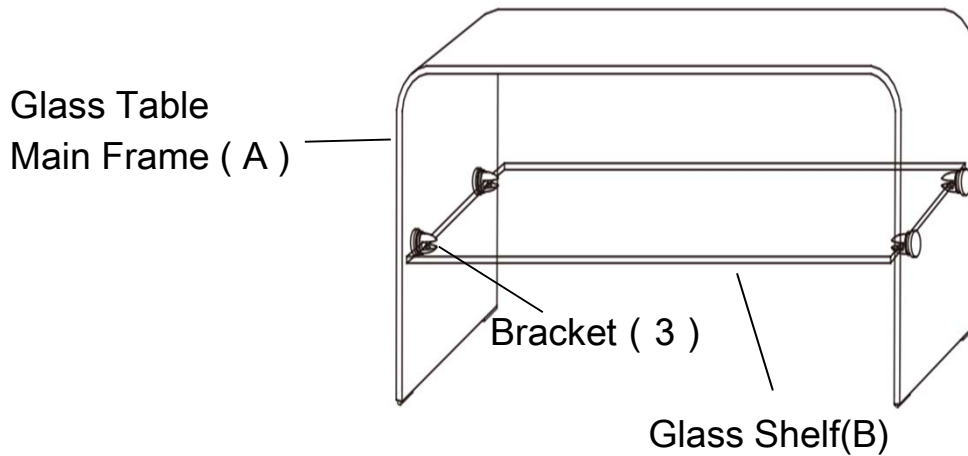
Before Beginning Assembly:



-  • Read instructions, cover to cover-
-  • Have 2 adults on hand for assembly-
-  • Do not assemble on flooring or carpet-
-  • Assemble on a clean non-marring surface (packing foam)-
-  • Save all packaging until finished-

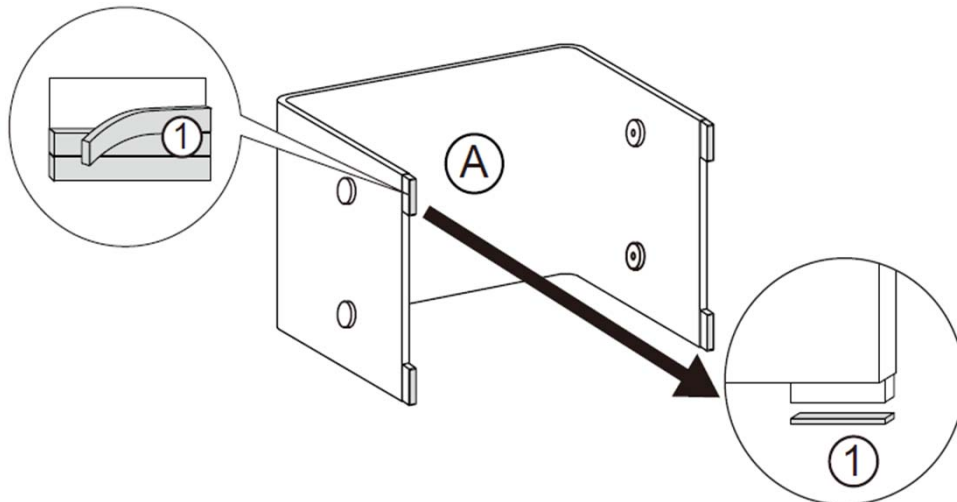
# Assembly Steps

## Parts Introduction



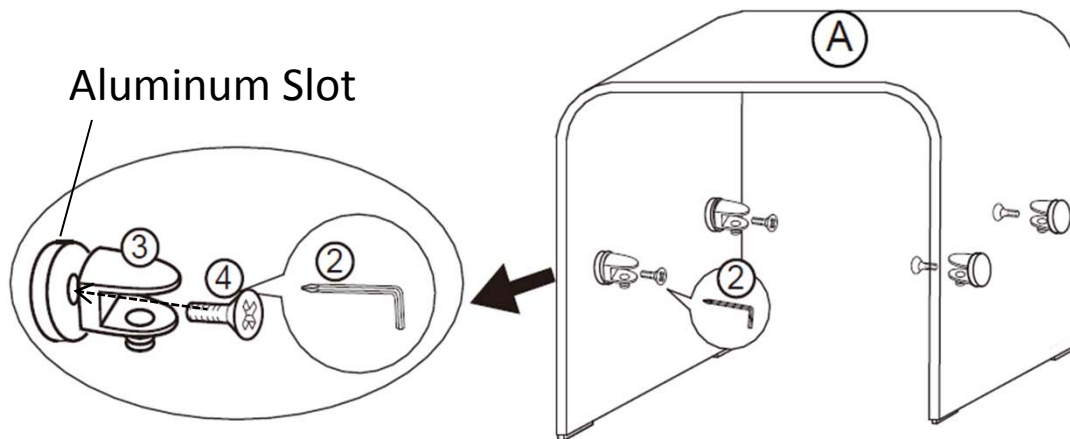
This Glass Table has multiple parts and may require up to some 5-10 minutes to assemble. To give you an overview of the Table parts, the above picture is to help you put the various parts into perspective. Please read through the instructions herebelow to familiarise the parts and steps before assembly.

## Step 1



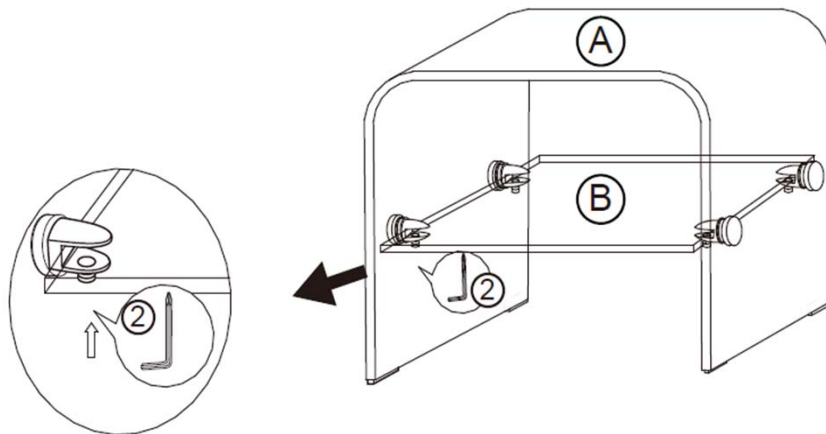
Put Glass Table Main Frame (A) carefully on its side onto a soft, non-marring surface. Peel a Pad(1) off the backing and apply it squarely to an Aluminum Leg as shown in the picture. Repeat this step with the remaining three feet.

## **Step 2**



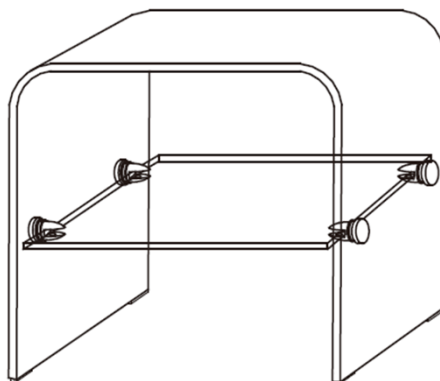
Turn the Glass Table Main Frame (A) right side up.  
Attach the Brackets(3) to the Aluminum Slot of Glass Table Main Frame (A) using Screw(4)  
with Allen Key (2) as shown in the picture.  
Tightening completely in a sequential manner.

## **Step 3**



Carefully insert Glass Shelf(B) into the Brackets on the Glass Table Main Frame (A).  
Tighten the Plastic Bolts at the bottom of the Brackets until the Glass Shelf is secured in place.

## **Step 3**



Your Glass Table is ready for use.

## Care & Maintenance



- Do not put hot items directly on furniture surface



- Do not clean furniture with harsh cleansers or polish.



- Do not place furniture under direct sunlight.



- Do not place furniture near heating or cooling vents.



- Do not write on furniture without a padded barrier to protect the surface.



- Do not place furniture outside . For indoor use only .



- Not for commercial use. For residential use only .



- Stains may be removed with mild soap solution and damp cloth.



- Children should not climb or jump on the furniture.



- Dust and pick-up spills using a clean, non-colored, lint-free cloth .