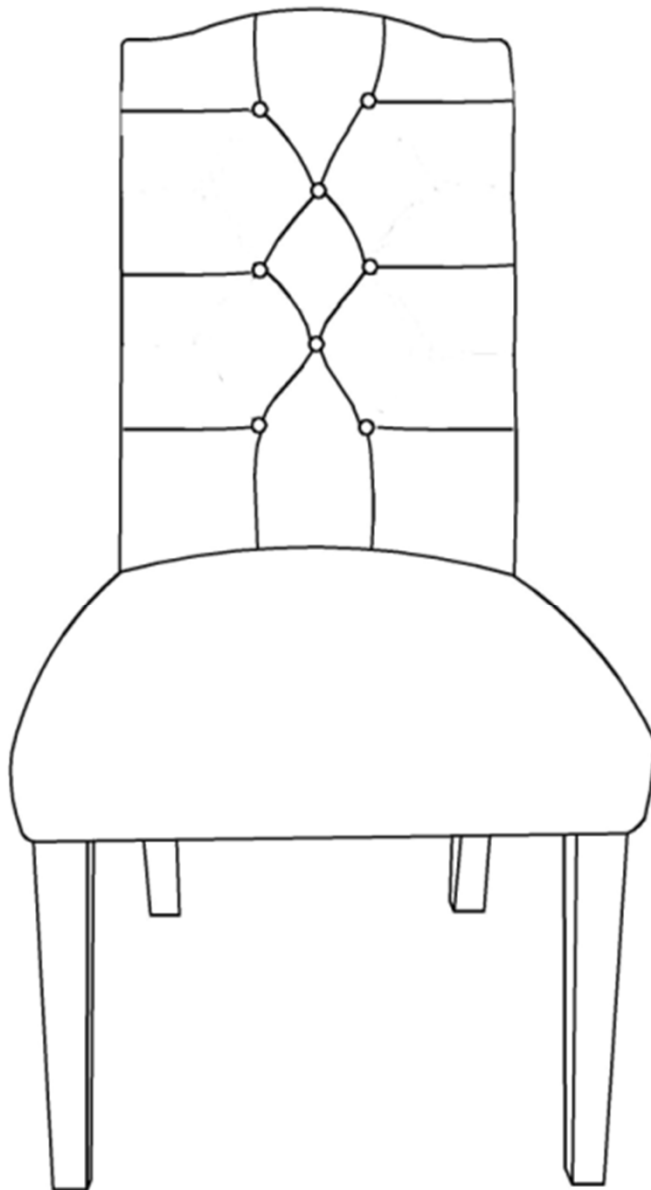


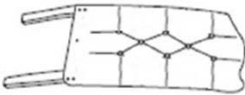
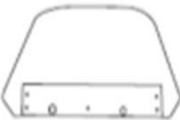

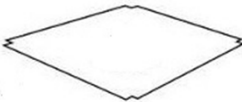
Assembly Instructions

Caution: You must read this before you proceed.






Dining Chair



Parts List

Label	Picture	Description	Qty
A		Chair Back	1
B		Chair Seat	1
C		Front Wooden Leg	2
D		Seat Base Cover	1

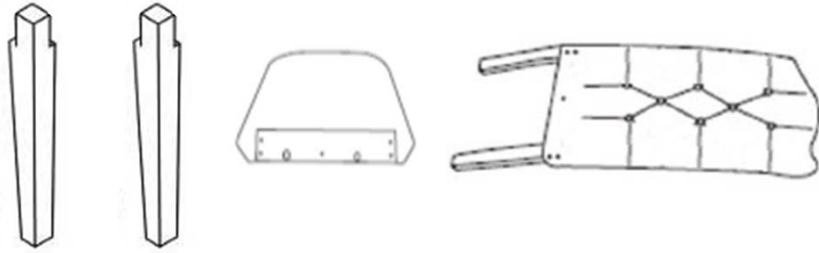
Hardware

Label	Picture	Description	Qty
a		60mm Long Bolt	5
b		70mm Long Bolt	4
c		Flat Washer Ring	9
d		Spring Washer Ring	9
e		Allen Key	1

Assembly Preparation

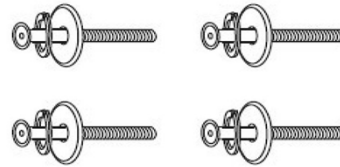
Before Beginning Assembly:

Unpack all the parts for a clear overview.



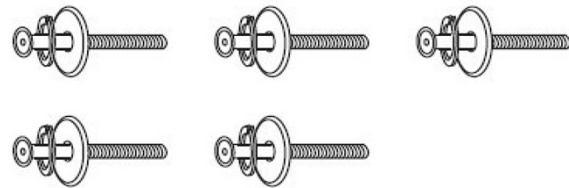
Pack A for locking the front legs to the front corner blocks of the seat:

Four Dia.M8 Bolt:60mm(a)+four Flat Washer Rings(c)+four Spring Washer Rings(d)



Pack B for locking the back panel of the seat to the horizontal panel of the backrest:

Four Dia.M8 Bolt:70mm(b)+one Dia.M8 Bolt:60mm(a)+five Flat Washer Rings(c)+five Spring Washer Rings(d)



Allen Key



- Read instructions, cover to cover-



- Have 2 adults on hand for assembly-



- Do not assemble on flooring or carpet-



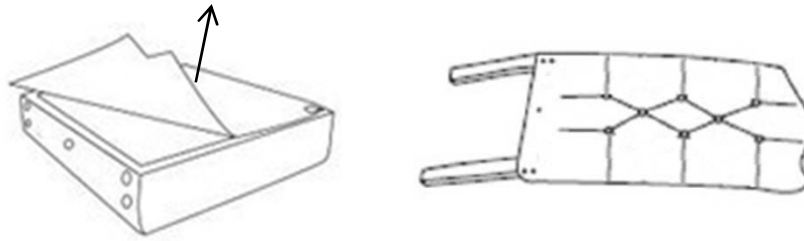
- Assemble on a clean non-marring surface (packing foam)-



- Save all packaging until finished-

Assembly Steps

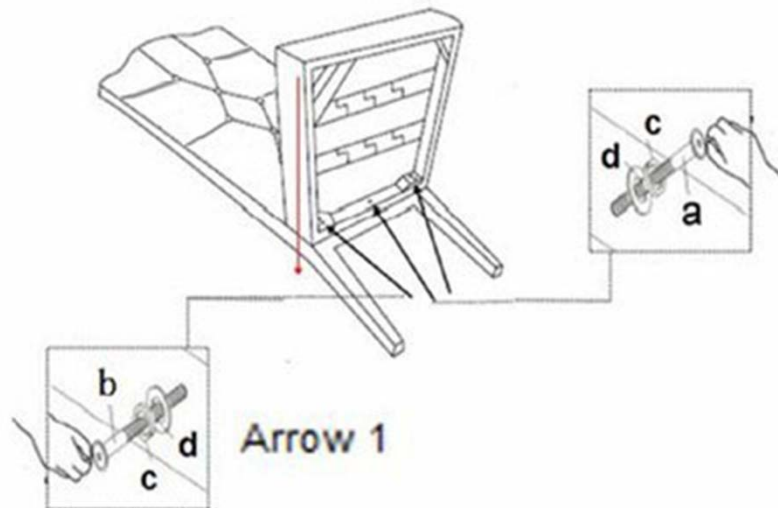
Step 1



Place the Chair Back (A) on a soft surface to avoid any scratches or damages to the product.

REMOVE the Seat Base Cover(D) from the Chair Seat(B), take out the front legs and hardware accessories.

Step 2



Put the Chair Back(A) onto a flat table or panel.

Align the positioning dowels on the chair seat panel with the MOUNTING POSITIONS located on the chair back panel.

Use your left hand to push the seat frame floorwards, depicted by Arrow 1.

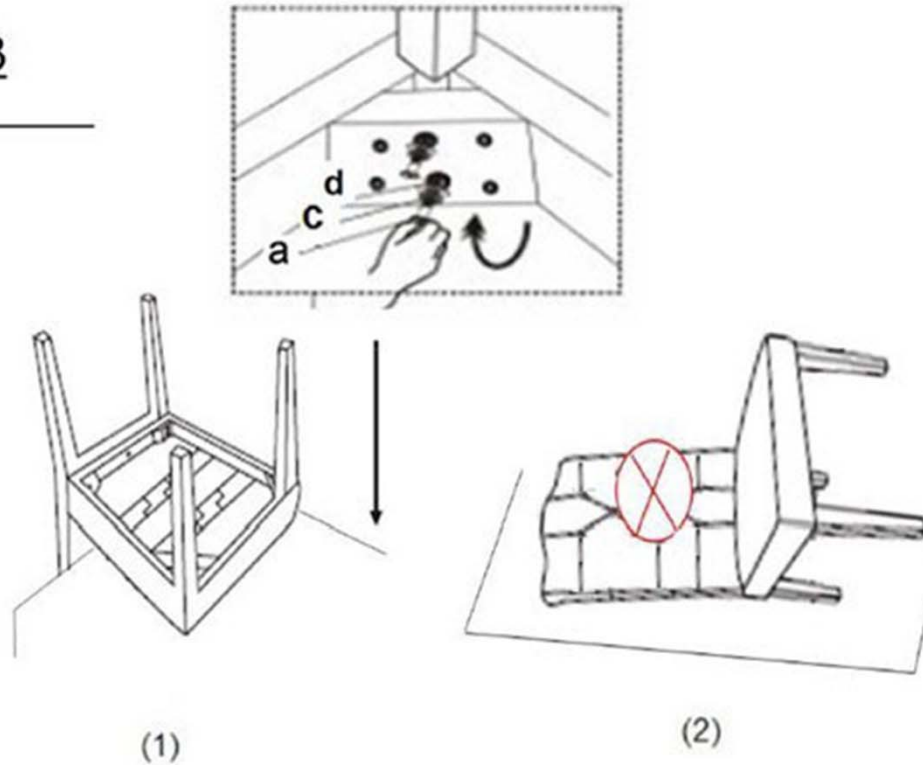
This action helps to ensure the Chair Seat(B) is pressed towards to the Chair Back(A) with no gap between these.

Then, lock the middle MOUNTING POSITION and the corner MOUNTING POSITIONS.

The hardware for these are: Four Dia.M8 Bolt:70mm(b)+one Dia.M8 Bolt:60mm(a)+five Spring Washer Rings(d)+five Flat Washer Rings(c) with the Allen Key(e).

At this point of assembly, DO NOT overfasten the connections.

Step 3



Next, place the chair onto the side of a table as seen in Picture 1.

You will now have the chair bottom and all 4-legs facing skywards.

Insert each front leg completely vertically into each seat frame corner.

PRESS FIRMLY DOWN with your hand until there is no gap.

WARNING!! DO NOT POSITION THE FRONT WOODEN LEG AS SHOWN IN PICTURE 2 .

THIS PICTURE SHOWS THE CHAIR BACK STAYS AGAINST THE GROUND and THE FRONT LEGS HORIZONTAL IN MIDAIR.

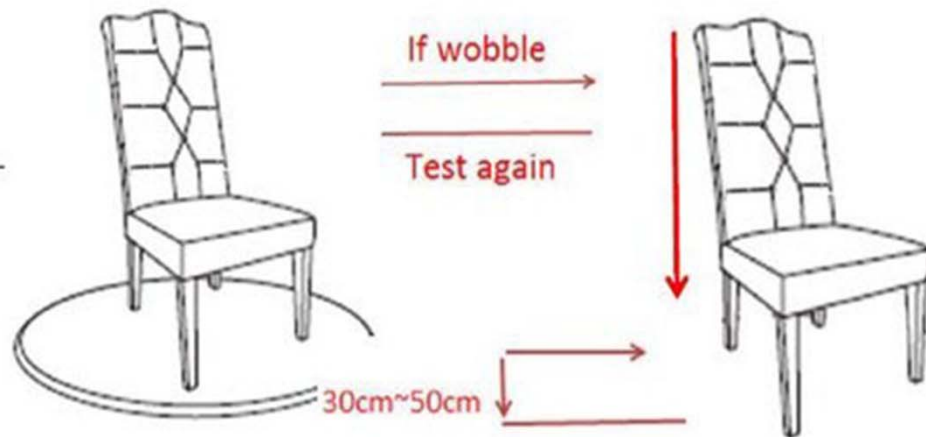
Now tighten the bottom bolt at first, then the blot on the top by using four Dia.M8 Bolt:60mm(a)+four Flat Washer Rings(c)+four Spring Washer Rings(d) with your hands.

DOT NOT tighten the top bolt first.

WARNING!! DO NOT OVER TIGHTEN. OVER TIGHTENING COULD LEAD TO DAMAGE OF THE PRODUCT.

TIGHTEN ONLY UNTIL SECURE AND STABLE.

Step 4



Place the chair on a LEVEL SURFACE to see if it wobbles. If it wobbles, lift the chair to some 30cm to 50cm height from the ground.

Keep your feet and toes well away from the drop zone.

Drop the chair freely and vertically with the four legs, hitting the ground, at the same time.

This Drop Test will help to ensure that all the bolts and gaps to all reach full alignment status.

Test again for evenness on a LEVEL SURFACE.

If no wobbles found, proceed to tighten all the bolts.

CAUTION : When tightening these bolts, tighten sequentially.

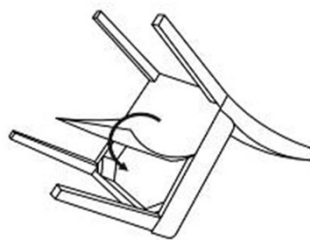
DO NOT tighten any screw fully and then towards the next one.

This would cause the frame to warp.

If there is still wobbles, loosen the bolts and execute this same drop tests.










WARNING!! IF CHAIR IS NOT STABLE , IT COULD LEAD TO DAMAGING THE PRODUCT.

Step 5



Finally, seal the Seat Base Cover back to the original underside of the chair. Smooth down with your hand on all 4 sides velcro tapes at the edge of the seat boxon . Then turn it the right side up, the chair is ready for use.

Care & Maintenance

-  ● Do not put **HOT** items directly on furniture surface.
 -  ● Do not clean furniture with **HARSH** cleansers or polish.
 -  ● Do not place furniture under **DIRECT** sunlight.
 -  ● Do not place furniture near **heating or cooling** vents.
 -  ● Do not write on furniture without a padded barrier to protect the surface.
 -  ● For indoor use only. Do not place furniture outside.
 -  ● For residential use only. Not for commercial use.
 -  ● Stains may be removed with mild soap solution and damp cloth.
-
-  ● Dust and pick-up spills using a clean, non-colored, lint-free cloth.