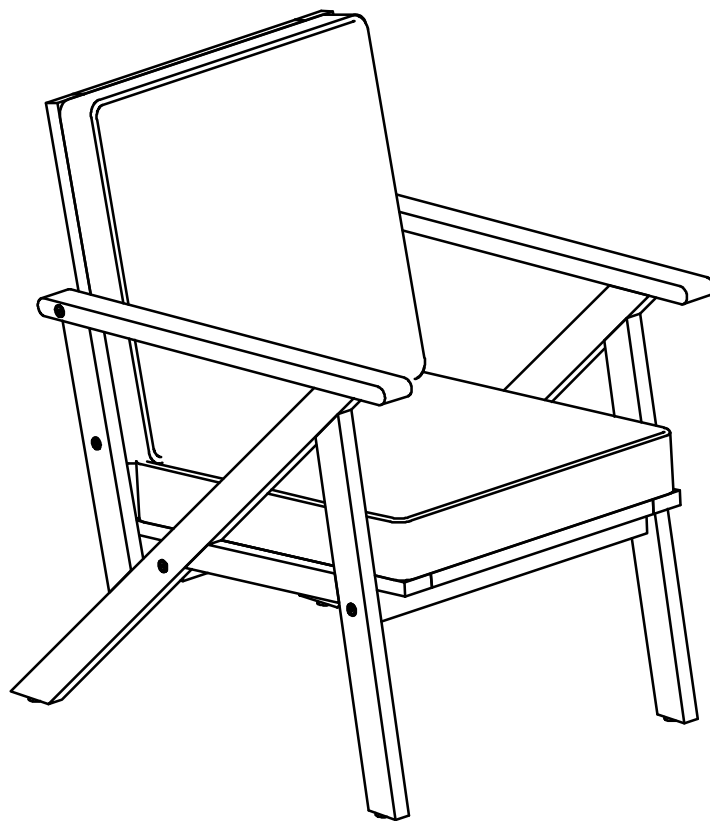


Assembly Instructions


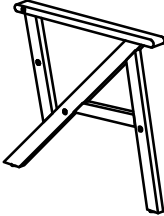
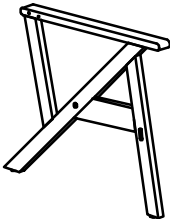

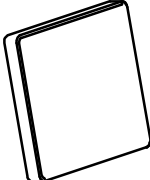

CHAIR

CAUTION: You must read this before you proceed.

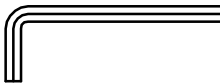



CAUTION : This Chair is NOT a TOY.
Keep your child / children at bay in the process of assembly.
For turning the Chair and to prevent damage to the Chair, 02 persons may be needed to execute this action.

Parts List

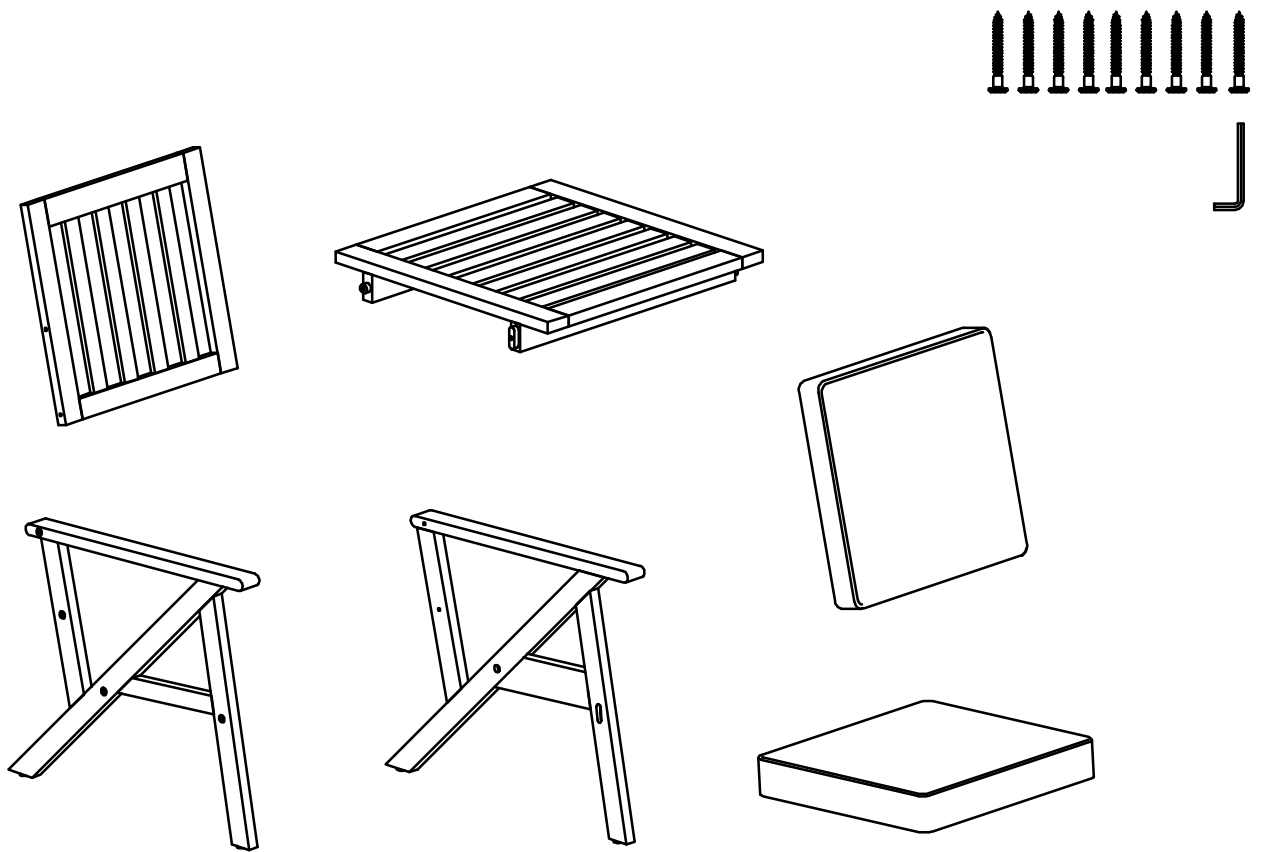
No.	Picture	Description	Qty
A		Backrest Panel	1
B1		Left Leg Panel	1
B2		Right Leg Panel	1
C		Seat Panel	1
D		Back Cushion	1
E		Seat Cushion	1

Hardware

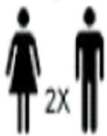
No.	Picture	Description	Qty
①		Allen Wrench	1
②		Screw (M7*70mm)	9

Assembly Preparation

Before Beginning Assembly:



- Read instructions, cover to cover-



- Have 2 adults on hand for assembly-



- Do not assemble on flooring or carpet-



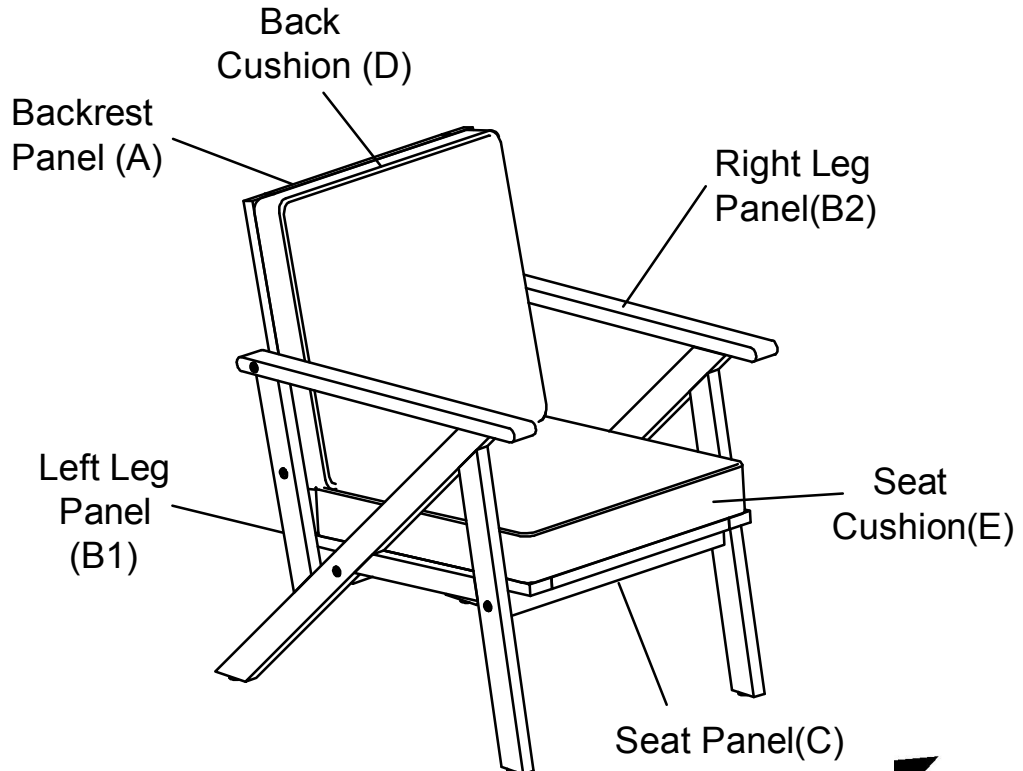
- Assemble on a clean non-marring surface (packing foam)-



- Save all packaging until finished-

Assembly Steps

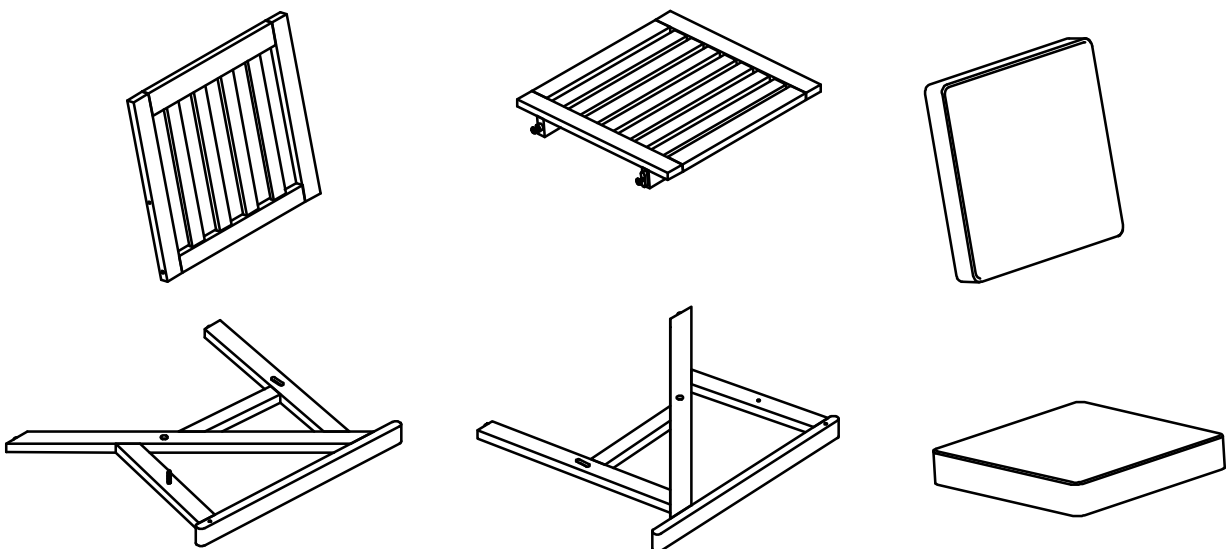
ORERVIEW



FRONT VIEW

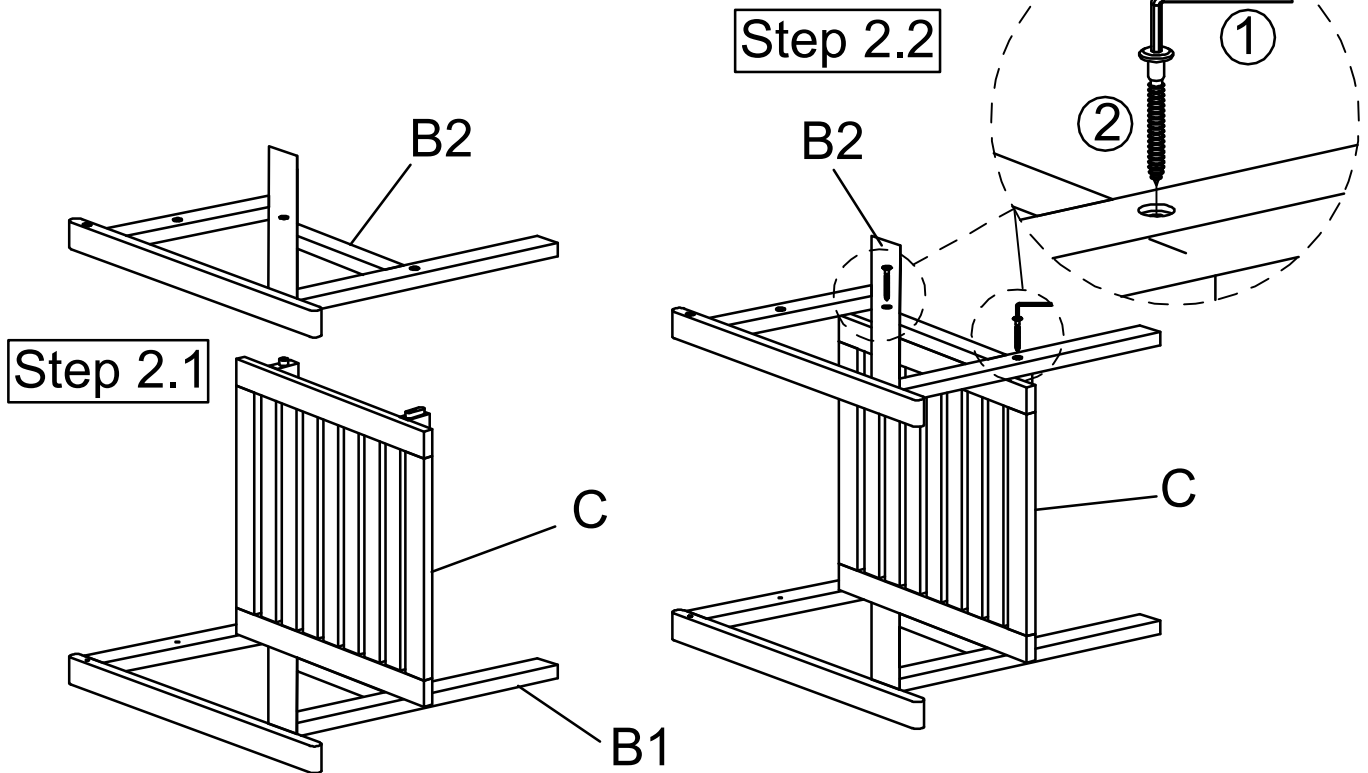
This Chair has multiple parts and may require up to some 30 minutes to assemble. To give you an overview of the Chair, the above picture is to help you put the various parts into perspective. Please read through the instructions here below to familiarise the parts and steps before assembly.

Step 1



Unpack and place all parts on a clean, non-marring surface.

Step 2

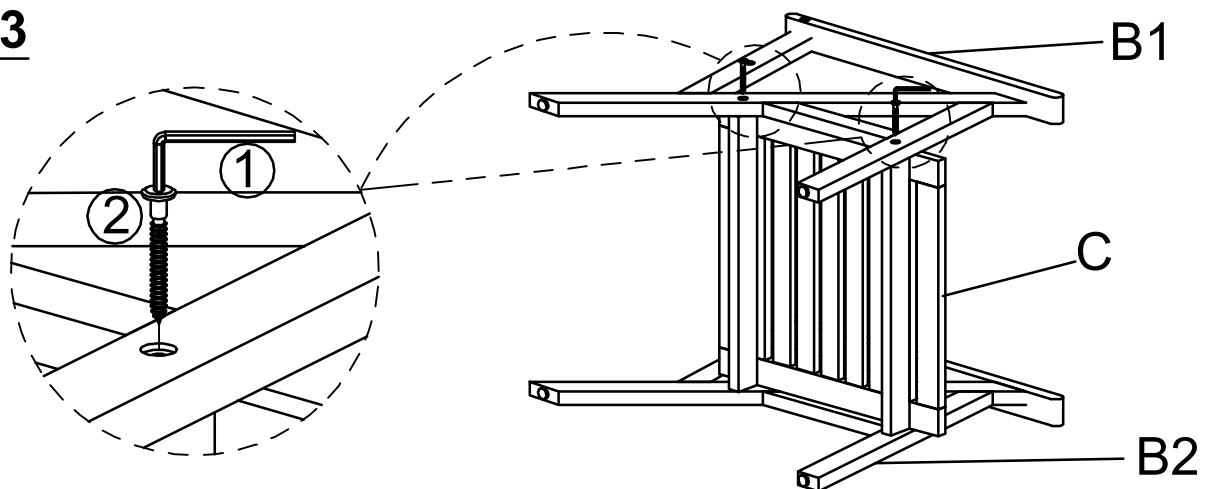


2.1) Position Seat Panel (C) to Left Leg Panel (B1) and then position Right Leg Panel (B2) onto Seat Panel (C) as shown in picture above

2.2) Secure Right Leg Panel (B2) to Seat Panel (C) by using Screw (②) and Allen Wrench (①)

Do not fully tighten the Screws.

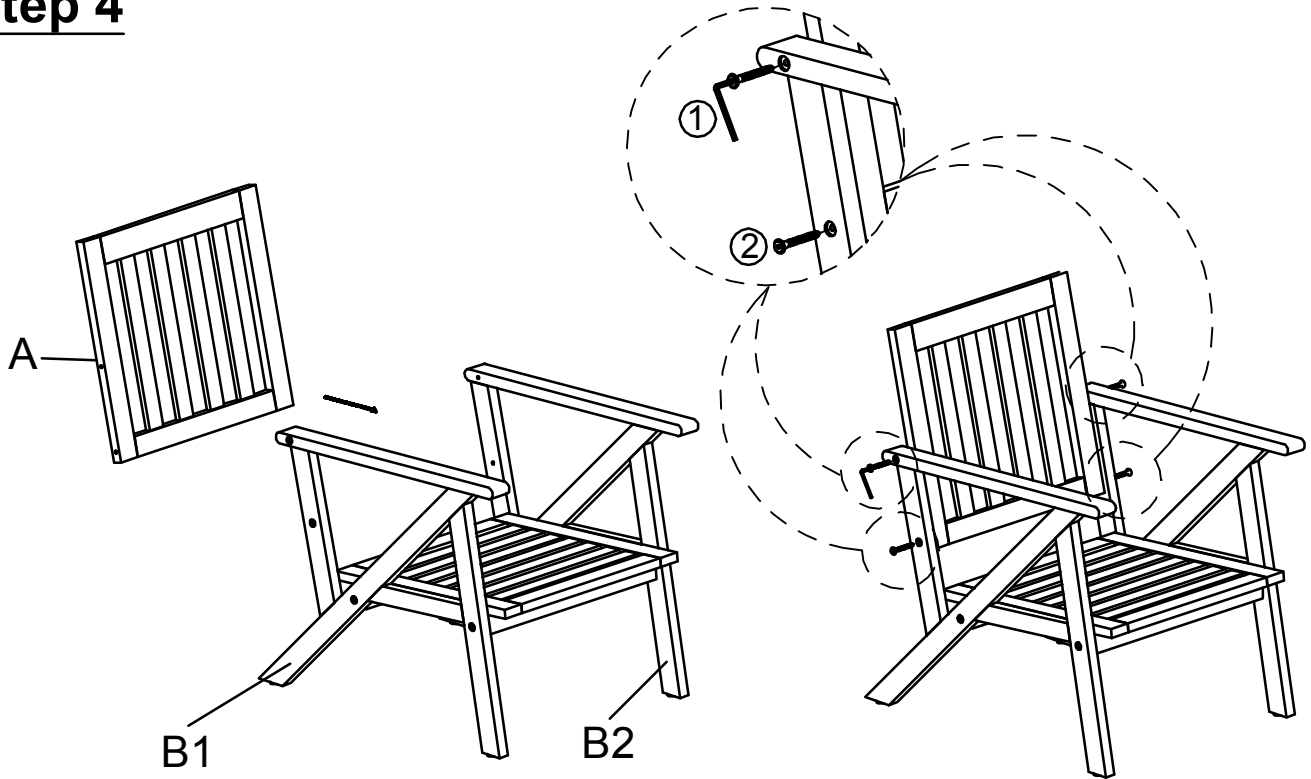
Step 3



With assistance from your adult partners, turn the Chair into the other side
Repeat the same process of step 2 to secure Left Leg Panel (B1) with Seat Panel (C) by using Screw (②) and Allen Wrench (①)

Do not fully tighten the Screws.

Step 4

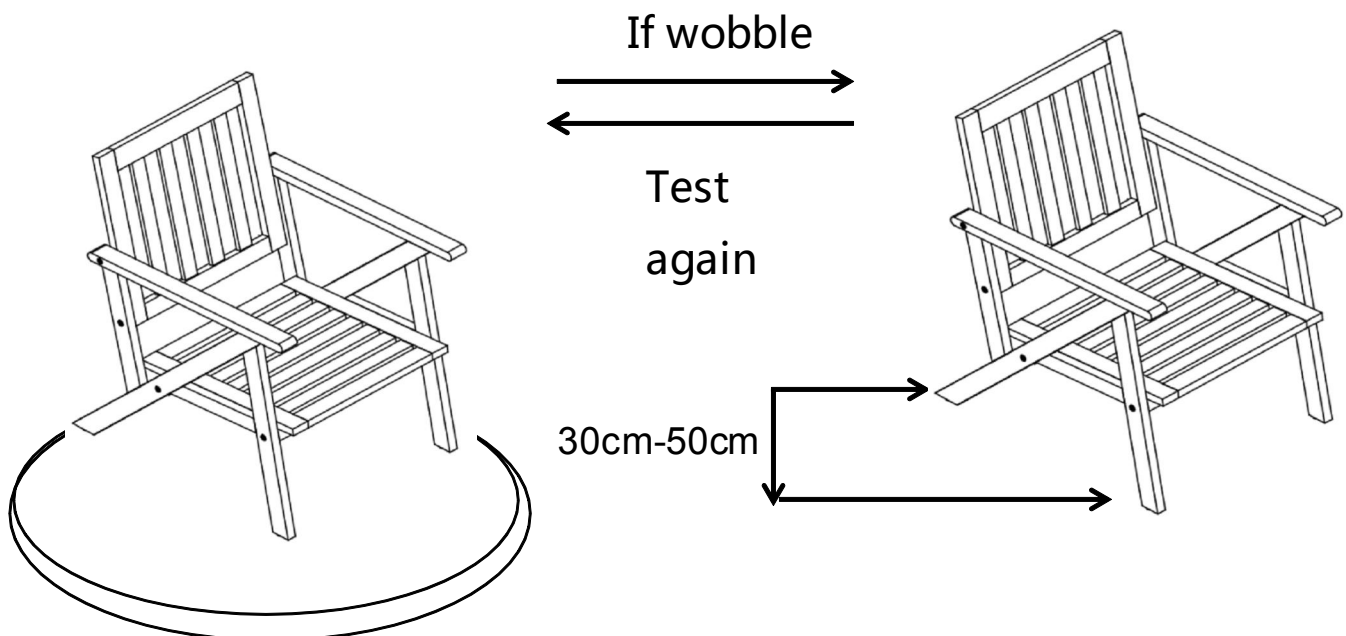


Turn the Chair right side up.

Position Backrest Panel (A) to Leg Panels (B1 & B2) as the picture above.
Secure Leg Panels (B1), (B2) to Backrest Panel (A) by using Screws (②),
and Allen Wrench (①)

Do not fully tighten the Screws

Step 5



Place the Chair right side up on a LEVEL SURFACE to see if it wobbles. If it wobbles, lift the Chair 30cm to 50cm high from the ground. Keep your feet and toes well away from the drop zone.

Drop the Chair freely and vertically with all four legs, hitting the ground at the same time.

This Drop Test will help to ensure that all the Screws and gaps reach full alignment status.

Test again for evenness on a LEVEL SURFACE.

If no wobbles are found, proceed to tighten all the Screws.

When tightening the Screws, tighten sequentially.

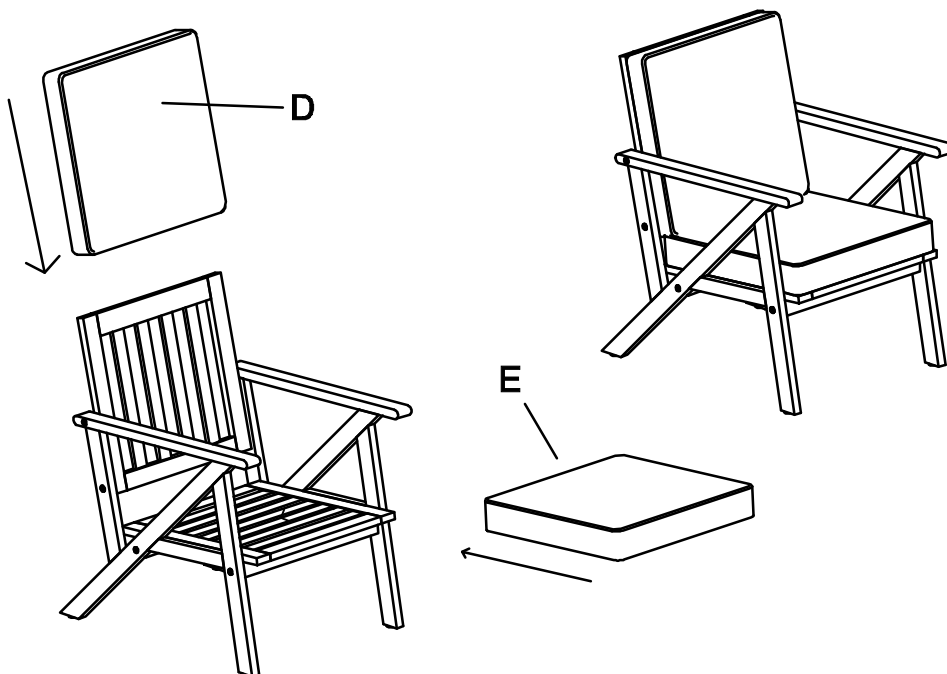
Do not tighten any Screws fully and then move towards the next one.

This could cause the frame to warp.

If there are still wobbles, loosen the Screws and execute the same drop tests.

If the Chair is not stable it could lead to damage to the product.

Step 6



Inspect the Chair and make sure all parts are connected.










Place Back Cushion (D) and Seat Cushion (E) onto the Chair

Tie the magic tape straps of Back Cushion (D) and Seat Cushion (E) to Seat Panel (C).

Your Chair is ready for use.

This Chair can only be used on a flat, level surface.

Care & Maintenance

- ⊘  ● Do not put hot items directly on furniture surface.
 - ⊘  ● Do not clean furniture with harsh cleansers or polish.
 - ✓  ● To obtain the longest lifespan of your outdoor products, minimizing exposure to direct sunlight is recommended.
 - ⊘  ● Children should not climb or jump on the furniture.
 - ⊘  ● Do not write on furniture without a padded barrier to protect the surface.
 - ✓  ● To obtain the longest lifespan of your outdoor products, avoid extended and lengthy exposure to rain, snow, and direct sunshine. Whenever possible cover the product and /or place under patio or awnings.
 - ⊘  ● Not for commercial use. For residential use only.
 - ⊘  ● Stains may be removed with mild soap solution and damp cloth.
 - ✓  ● Dust and pick-up spills using a clean, non-colored, lint-free cloth .
-