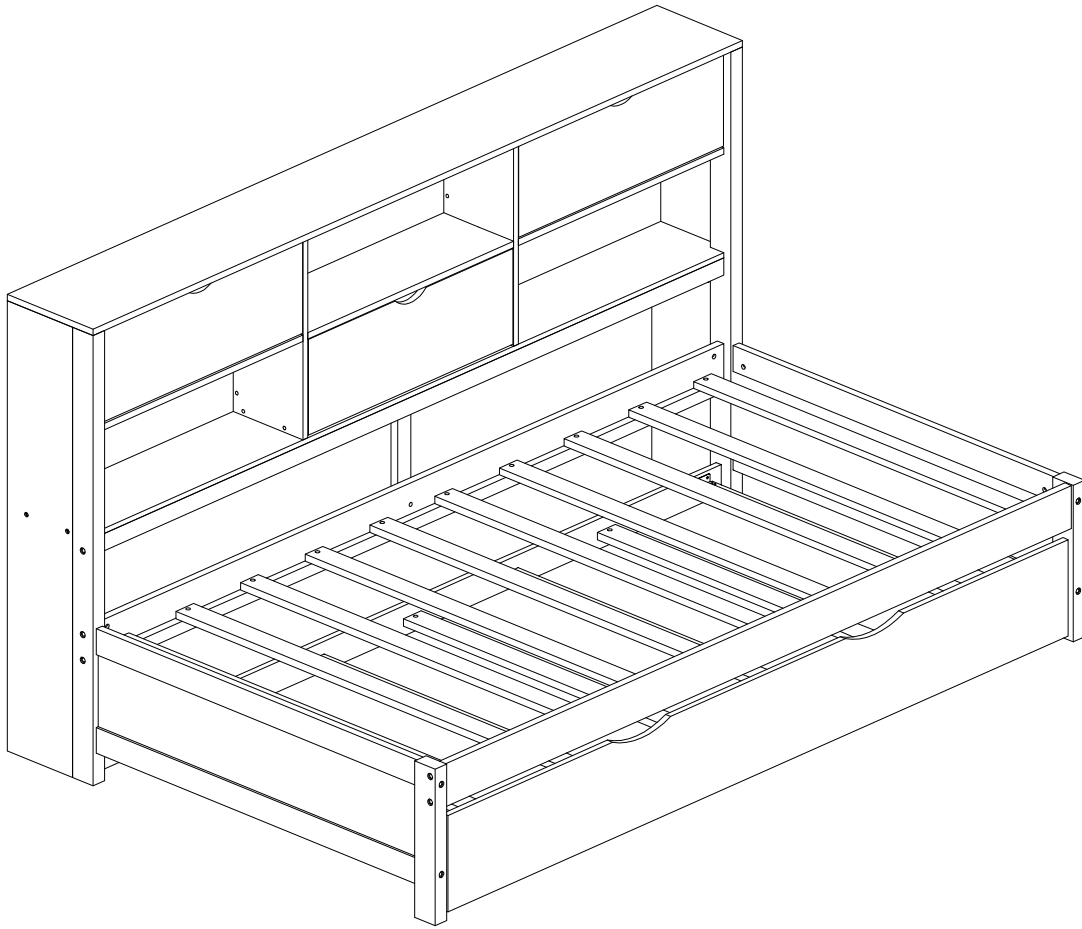
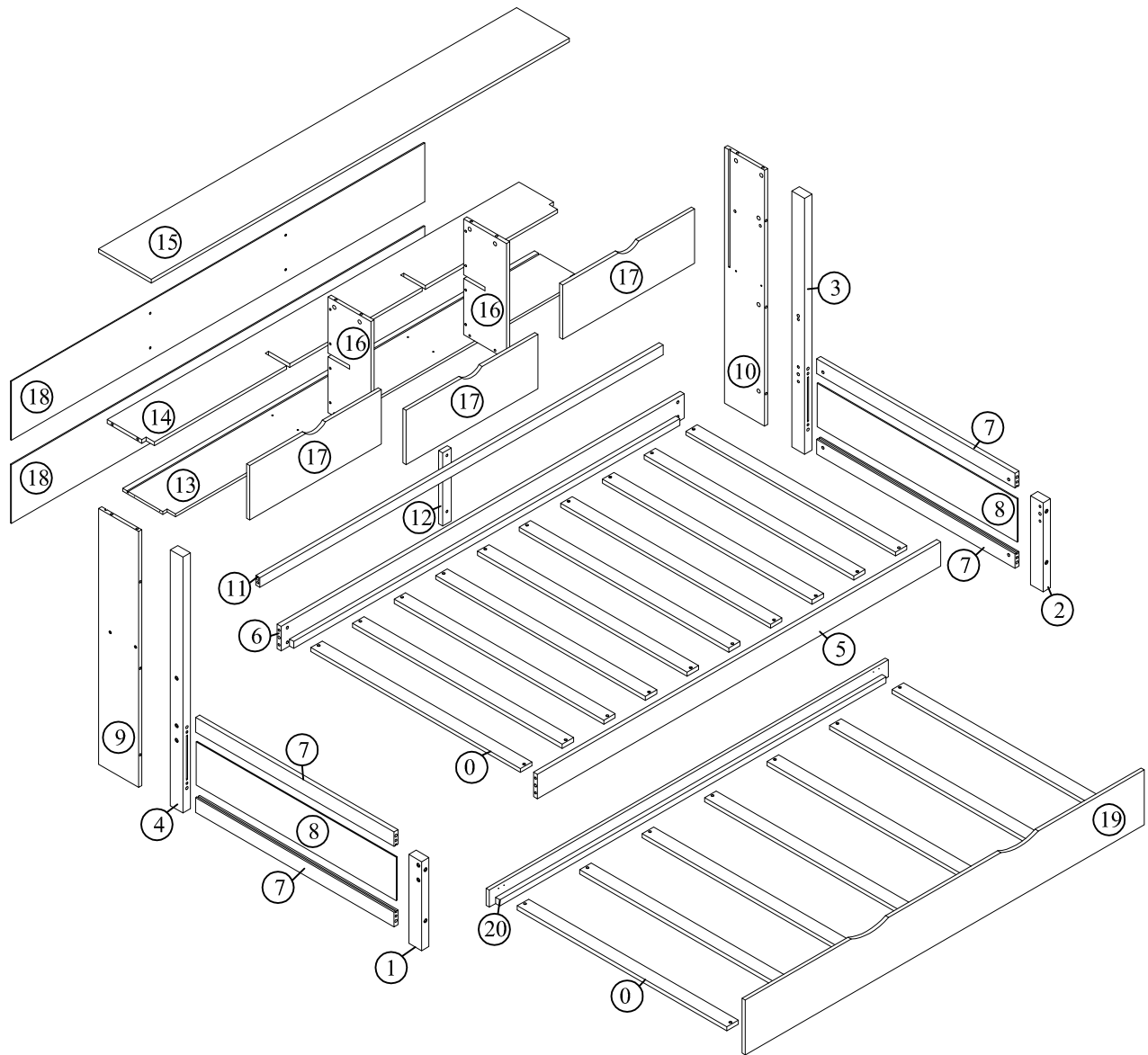


ASSEMBLY INSTRUCTION


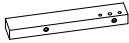
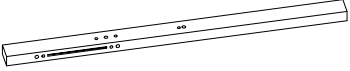
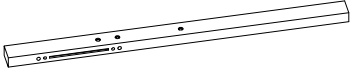
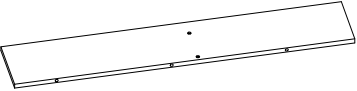
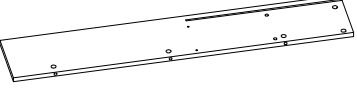

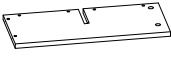


SKU CODE: N701P175996K/N701P175997K









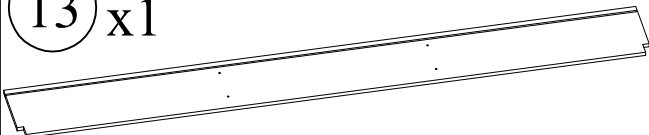
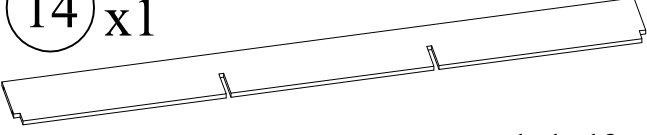
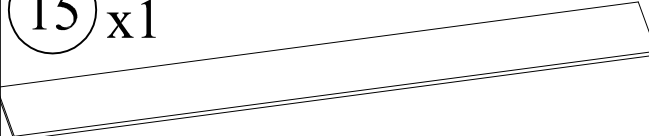
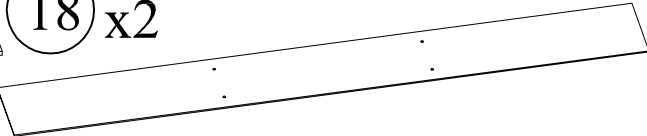
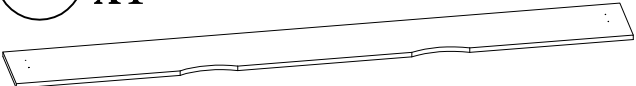

Detail view






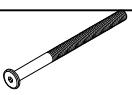




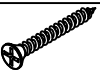




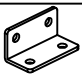


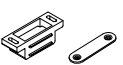
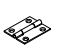
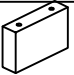

Part List (N701P175996K)

<p>① x1</p>  <p>Leg Footboard</p>	<p>② x1</p>  <p>Leg Footboard</p>
<p>③ x1</p>  <p>Leg Footboard</p>	<p>④ x1</p>  <p>Leg Footboard</p>
<p>⑨ x1</p>  <p>Frame Footboard Leg</p>	<p>⑩ x1</p>  <p>Frame Headboard Leg</p>
<p>⑫ x1</p>  <p>Support Shelf</p>	<p>⑯ x2</p>  <p>Mid Bookshelf</p>
<p>⑰ x3</p>  <p>Door Bookshelf</p>	<p>⑳ x3</p>  <p>Slats</p>

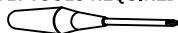
Part List (N701P175997K)

<p>① x14</p>  <p>Slats</p>	<p>⑤ x1</p>  <p>Side rail</p>
<p>⑥ x1</p>  <p>Side rail</p>	<p>⑦ x4</p>  <p>Crossbar</p>
<p>⑧ x2</p>  <p>Panel</p>	<p>⑪ x1</p>  <p>Crossbar</p>
<p>⑬ x1</p>  <p>Bookshelf</p>	<p>⑭ x1</p>  <p>Bookshelf</p>
<p>⑮ x1</p>  <p>Top Bookshelf</p>	<p>⑱ x2</p>  <p>Panel Bookshelf</p>
<p>⑲ x1</p>  <p>Front Trundle</p>	<p>⑳ x1</p>  <p>Back Trundle</p>

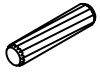



Hardware List (N701P175996K)

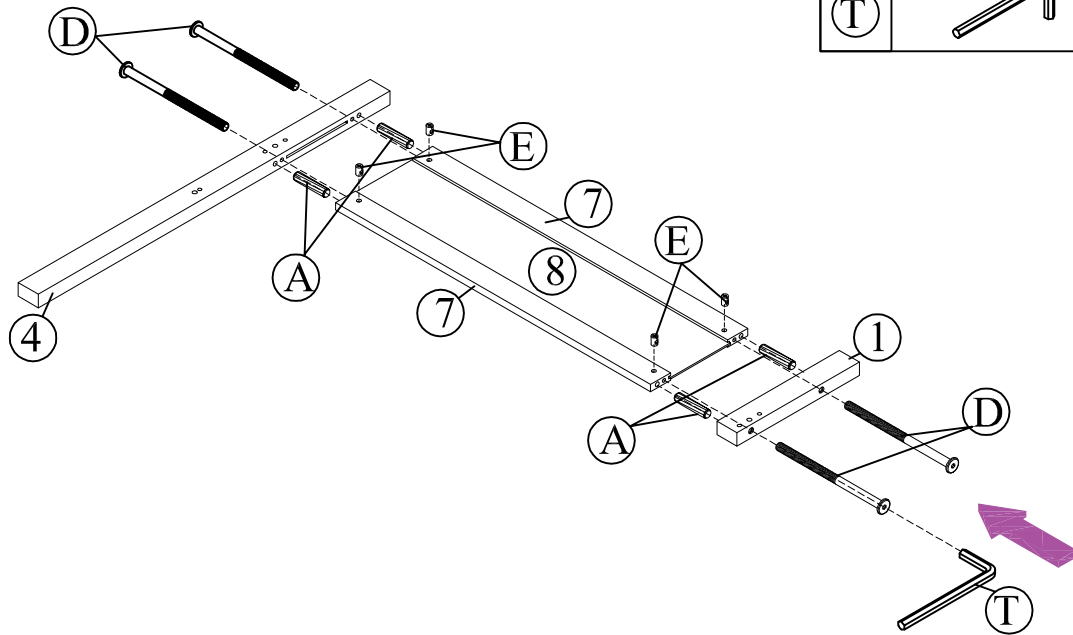
No.	OUTLOOK	DESC	QTY
(A)		Dowel Ø10*40mm	14
(B)		Bolts 1/4"*30mm	02
(C)		Bolts 1/4"*80mm	10
(D)		Bolts 1/4"*110mm	08
(E)		Cross dowel 1/4"*13mm	18
(F)		Screws #6*12mm	52
(G)		Screws #7*12mm	32
(H)		Screws #8*30mm	38
(I)		Screws #8*35mm	08
(J)		Round head screw #8*25mm	08
(K)		Connecting Bolt	18
(L)		Connector Housing	18
(M)		Base L long	02
(N)		Base L small	02
(O)		Wheels	04
(P)		Base L	02
(Q)		Inhaler Magnet	06
(R)		Door Hinge	06
(S)		Wood stops	02
(T)		Allen key 60*22*4mm	01

ASSEMBLY TOOLS REQUIRED (NOT INCLUDED)

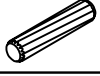





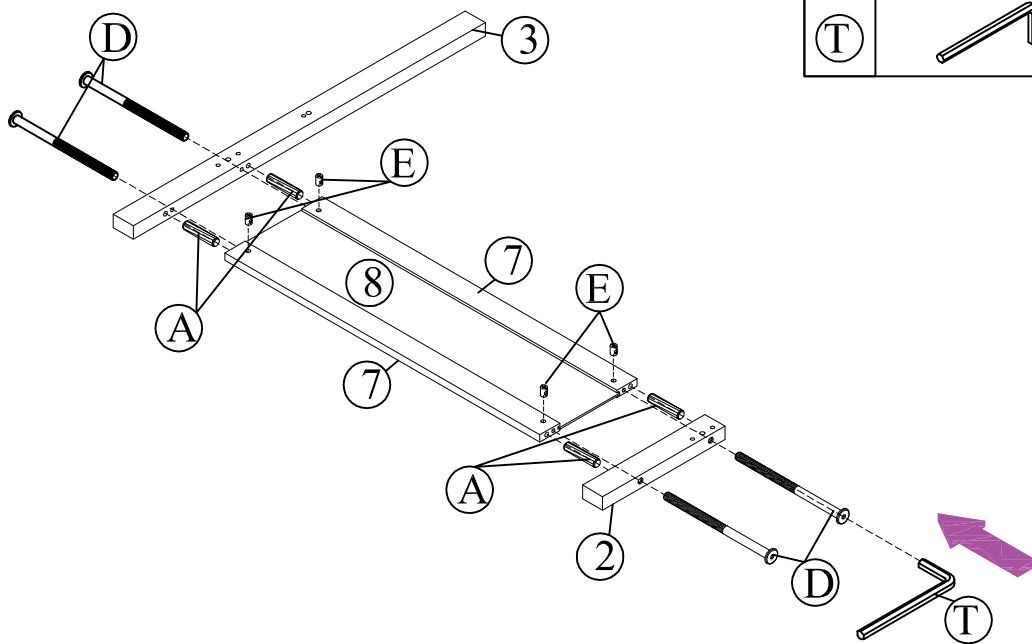
STEP 1:

(A)		04
(D)		04
(E)		04
(T)		01

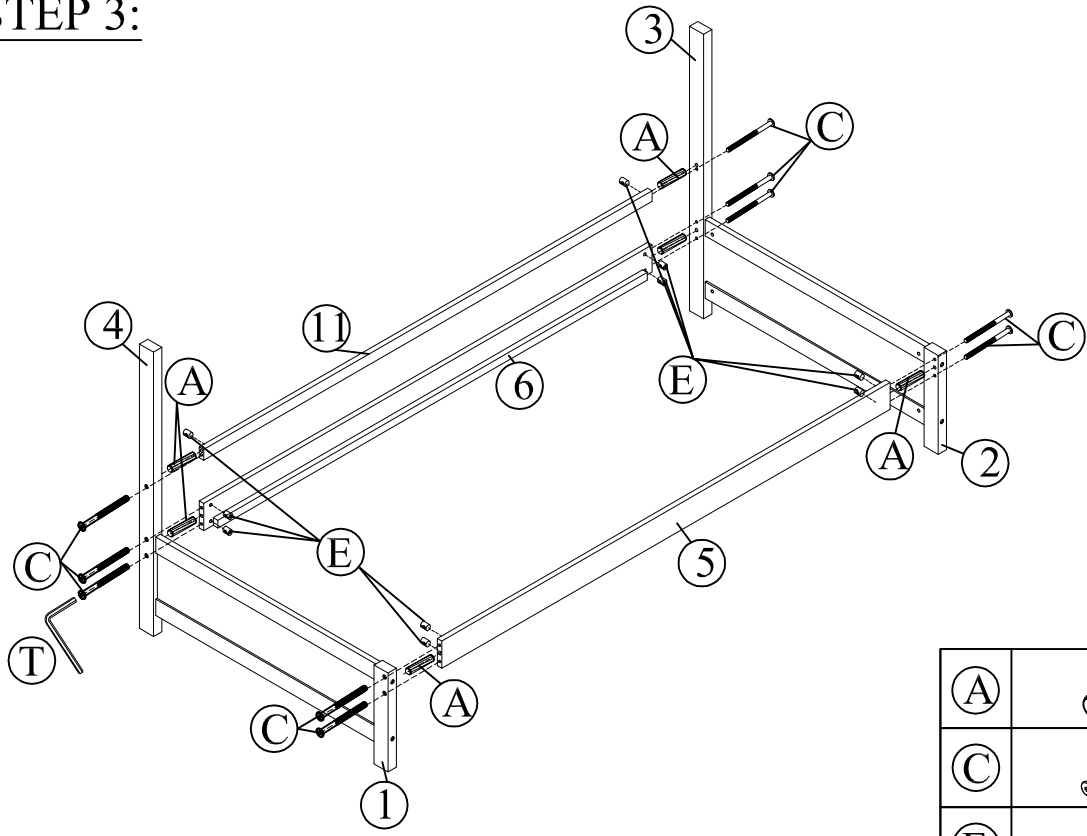


STEP 2:

(A)		04
(D)		04
(E)		04
(T)		01

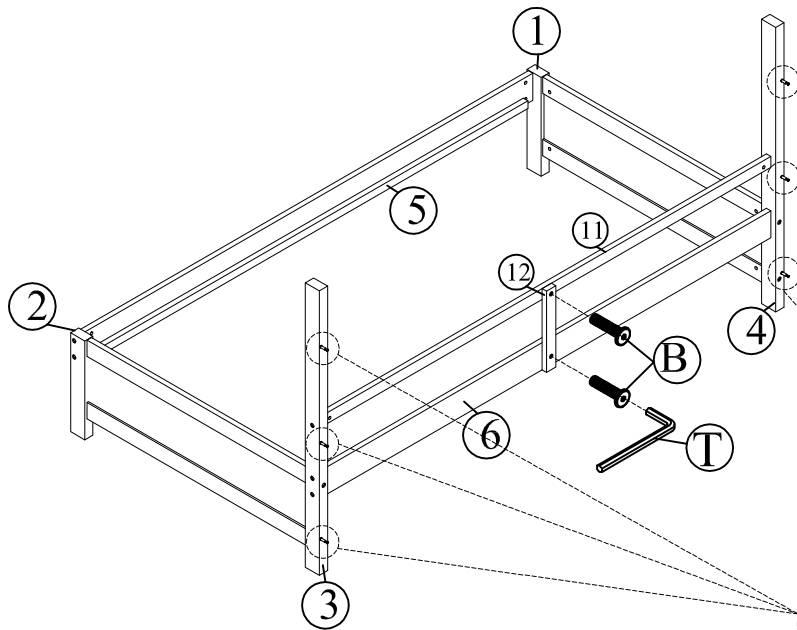


STEP 3:

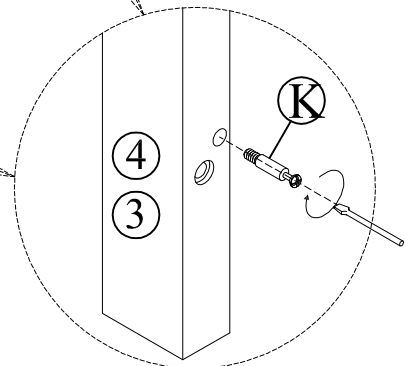


(A)		06
(C)		10
(E)		10
(T)		01

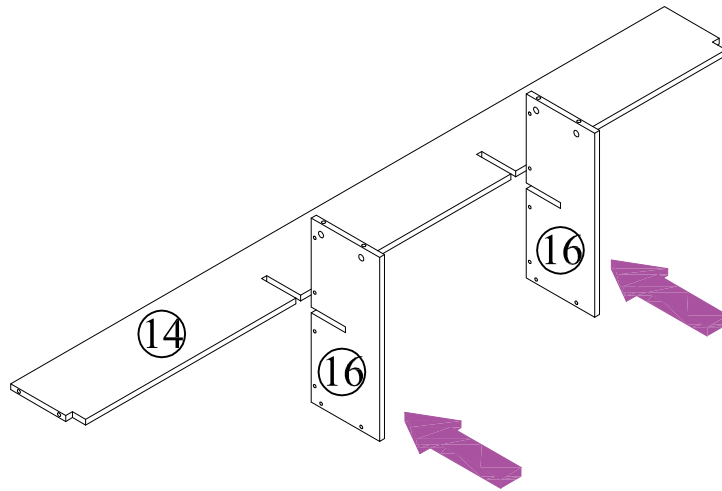
STEP 4:



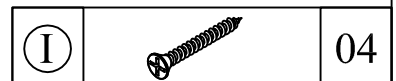
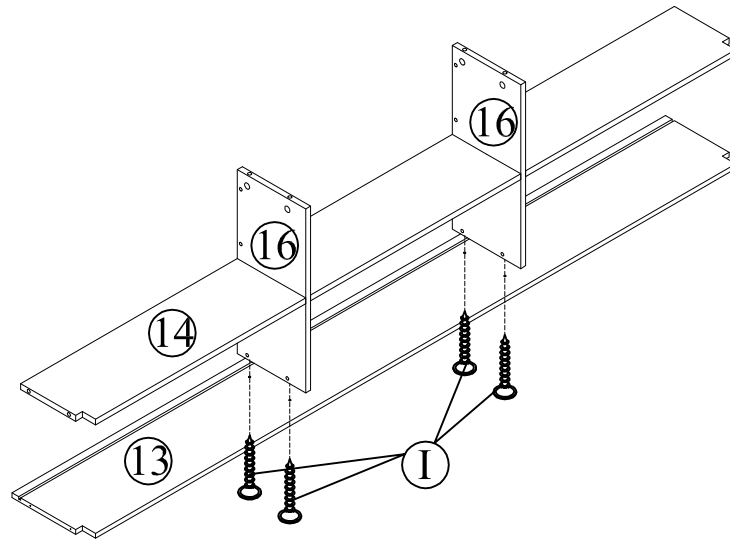
(B)		02
(K)		06
(T)		01



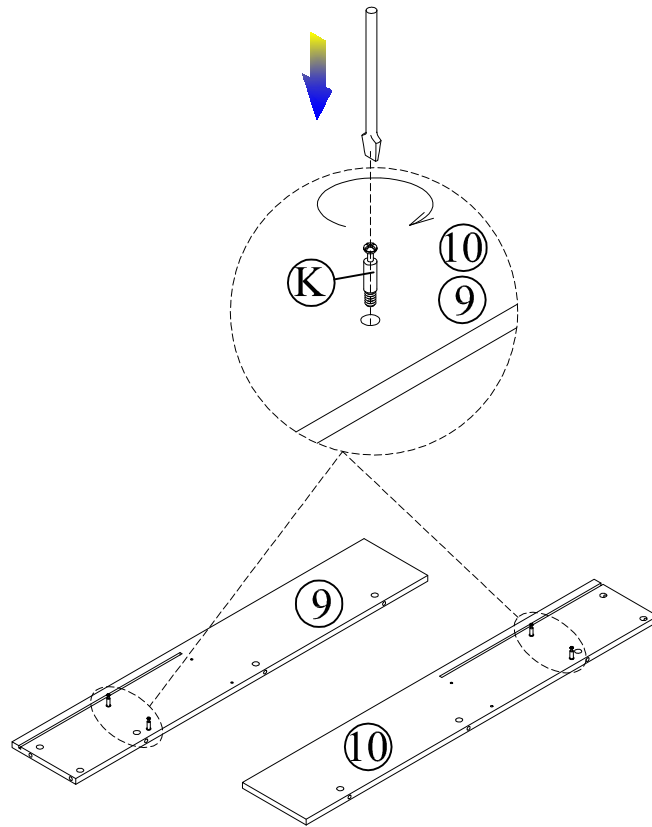
STEP 5:




STEP 6:

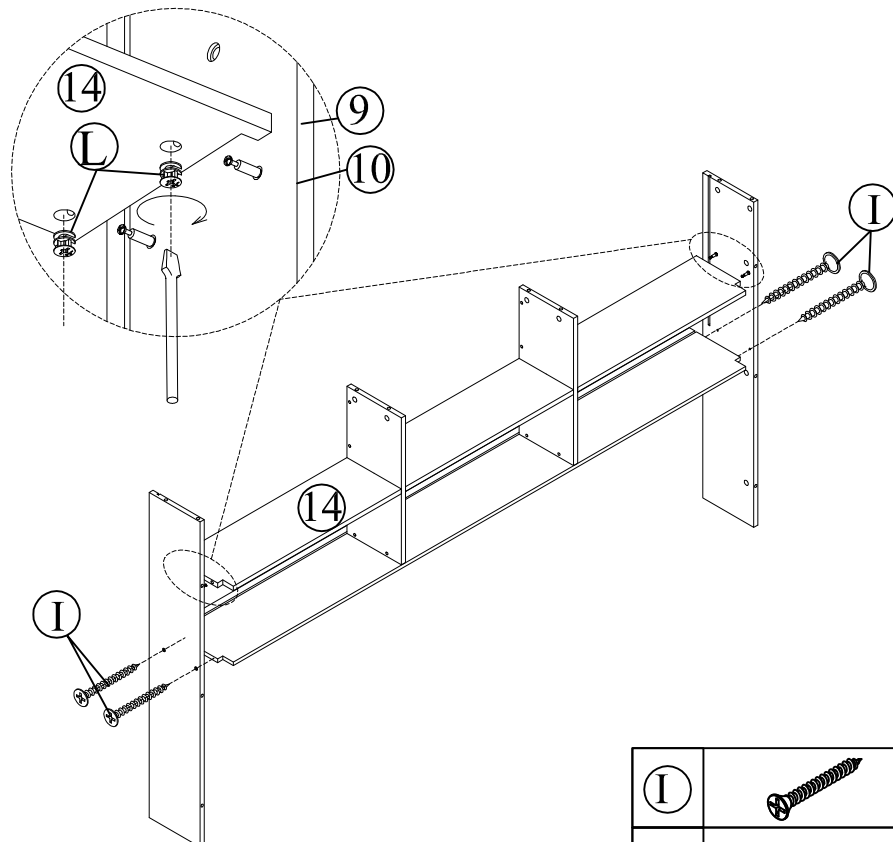




STEP 7:



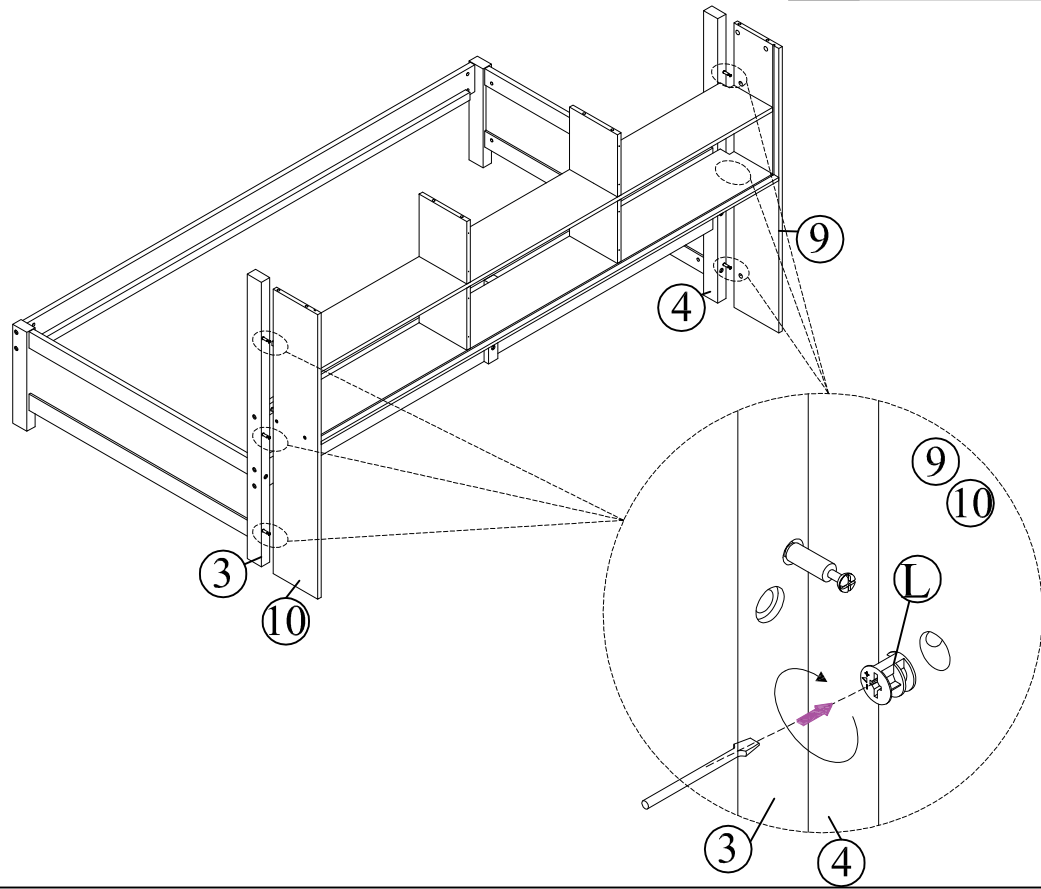
K		04
---	--------------------------------------------------------------------------------------	----

STEP 8:

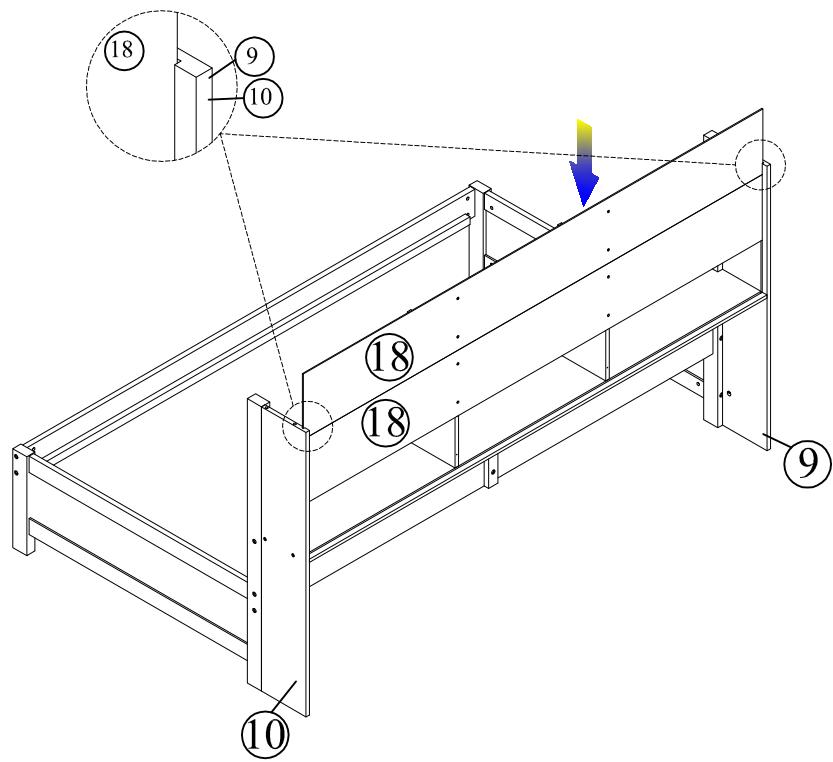


I		04
L		04

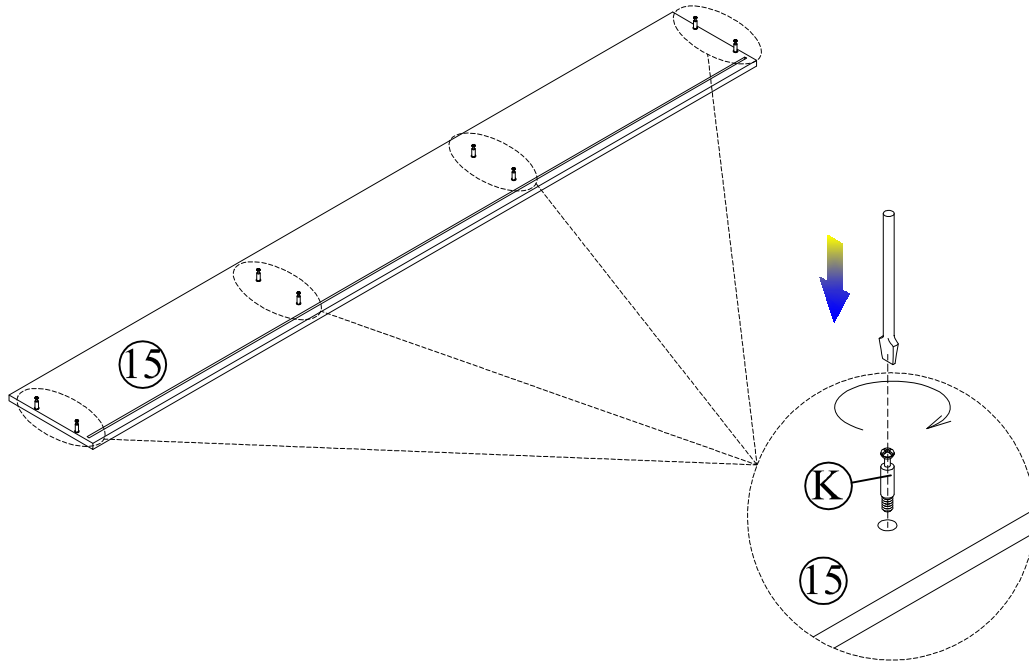
STEP 9:





STEP 10:

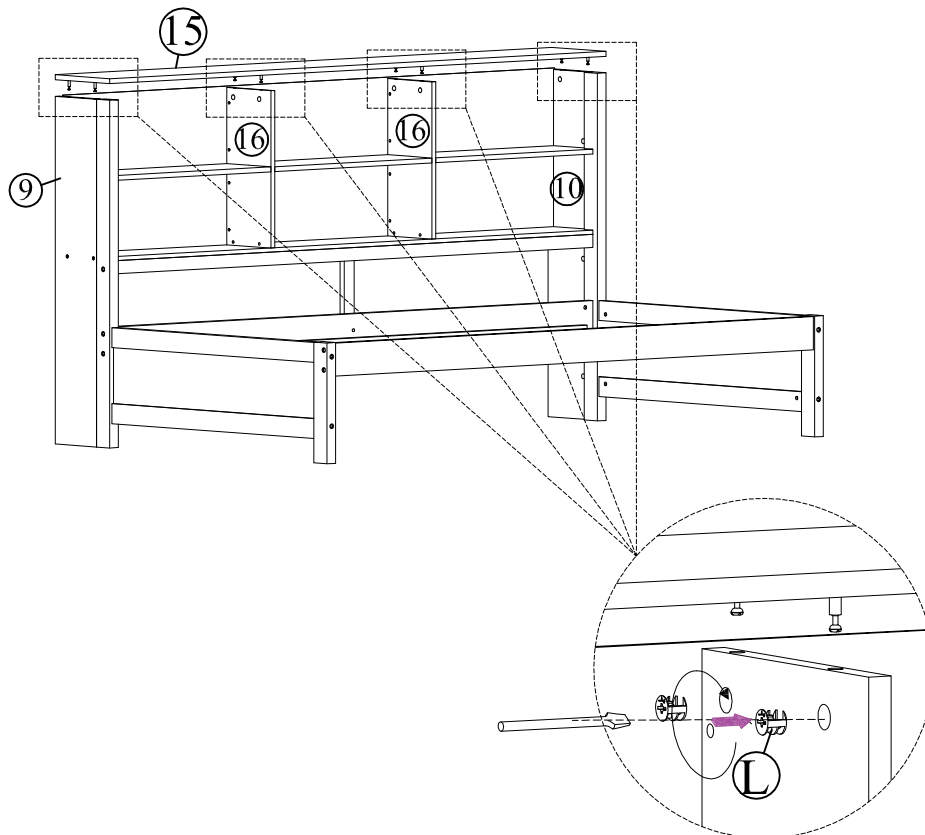


STEP 11:

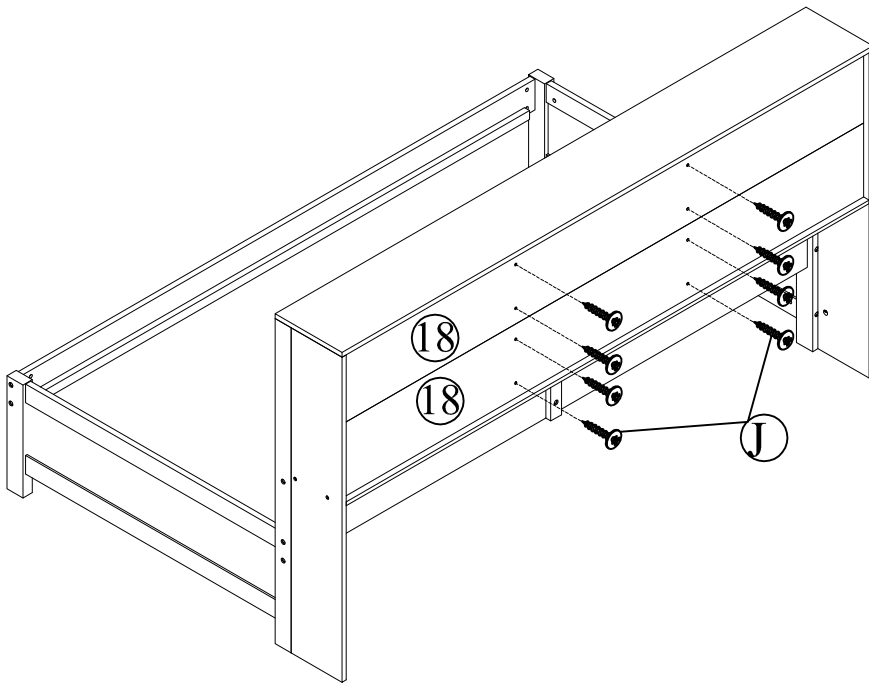




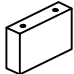
(K)		08
(L)		08

STEP 12:

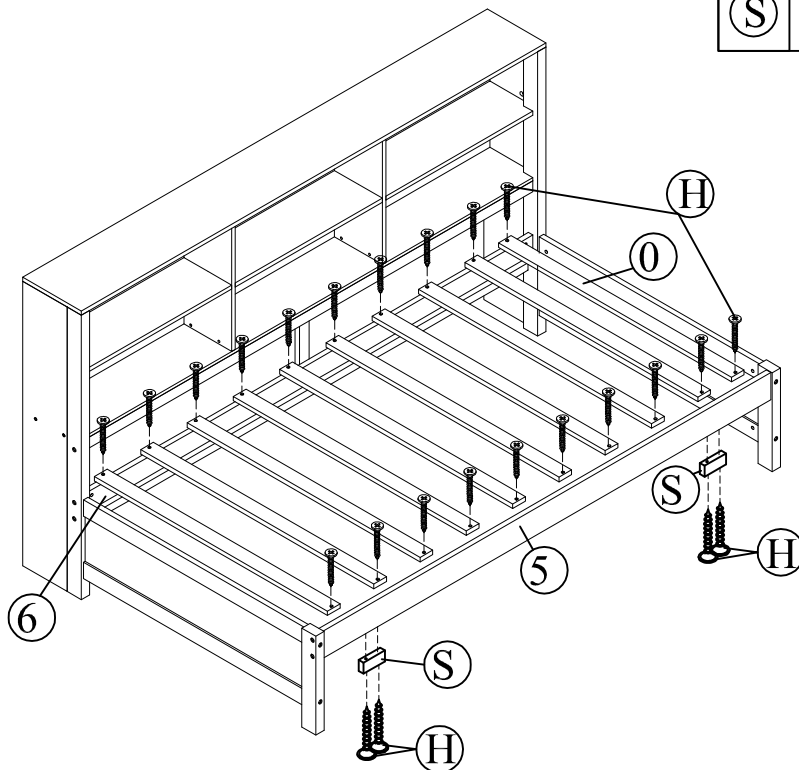


STEP 13:

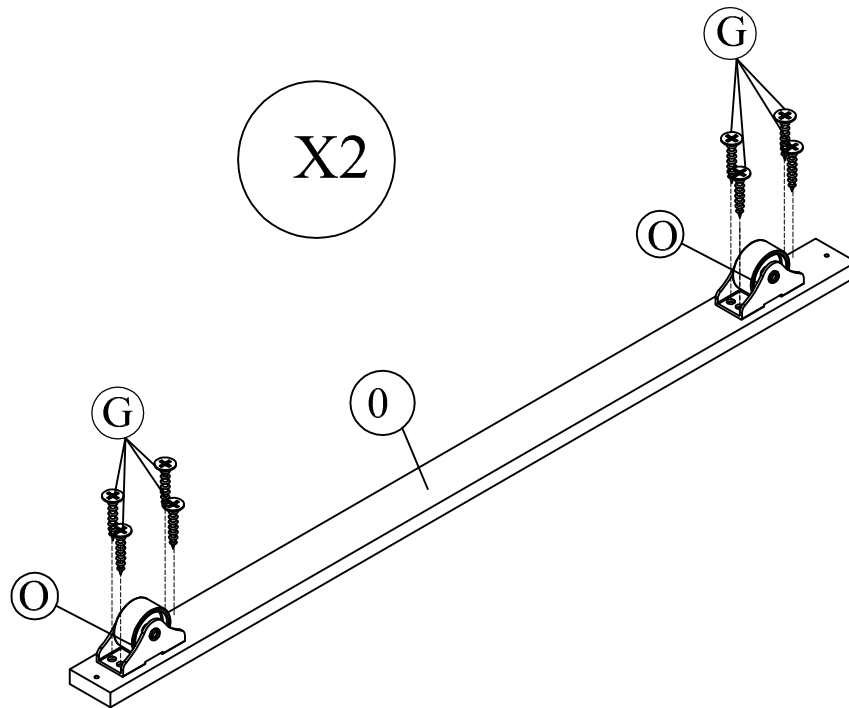




(J)		08
(H)		24
(S)		02

STEP 14:

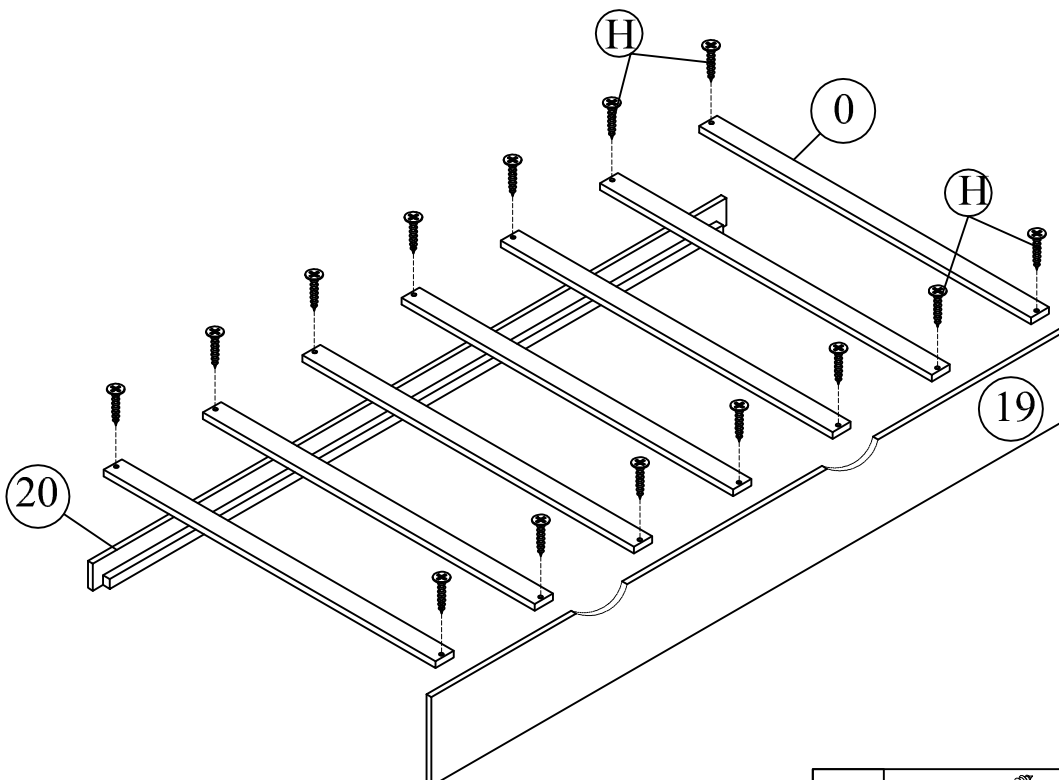



STEP 15:





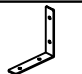
(G)		16
(O)		04

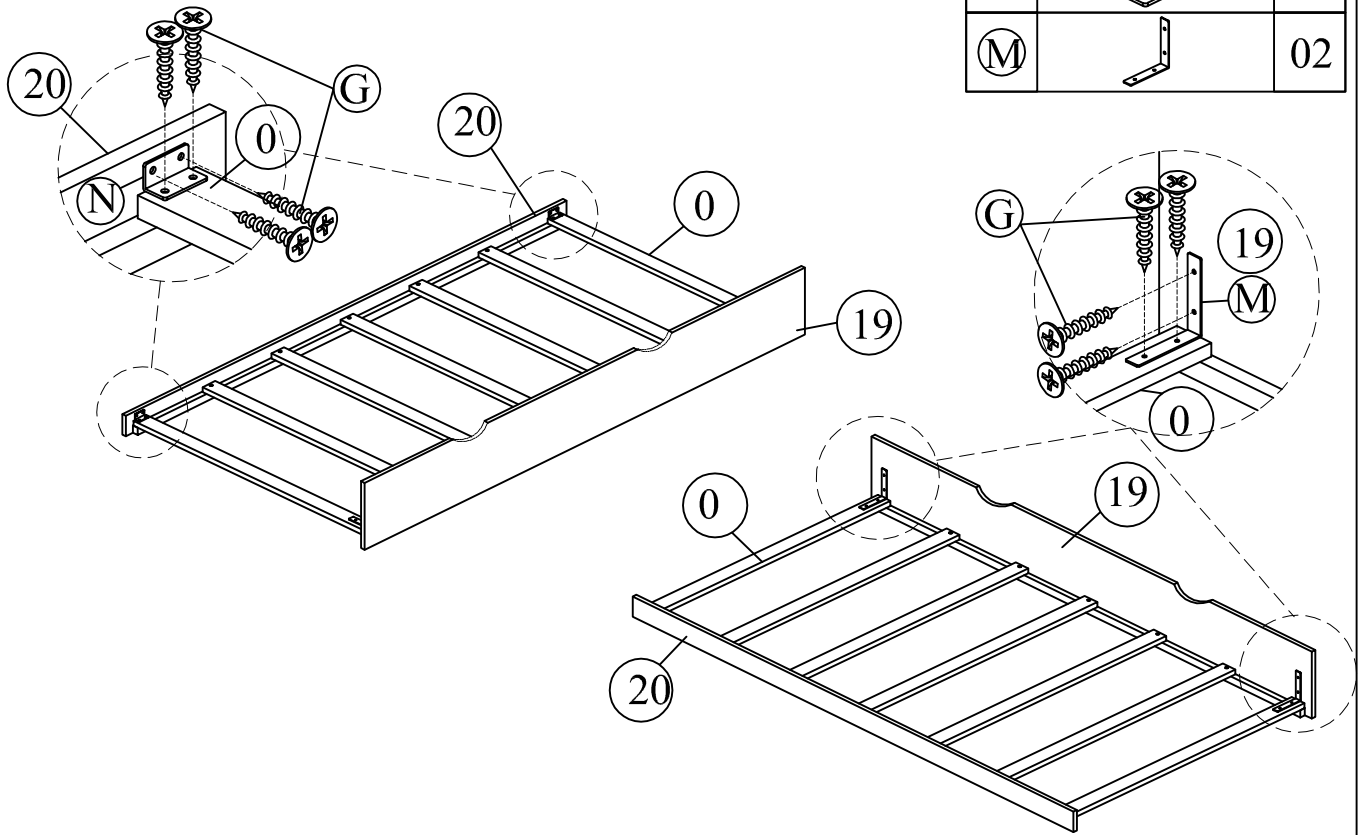
STEP 16:





(H)		14
-----	---------------------------------------------------------------------------------------	----

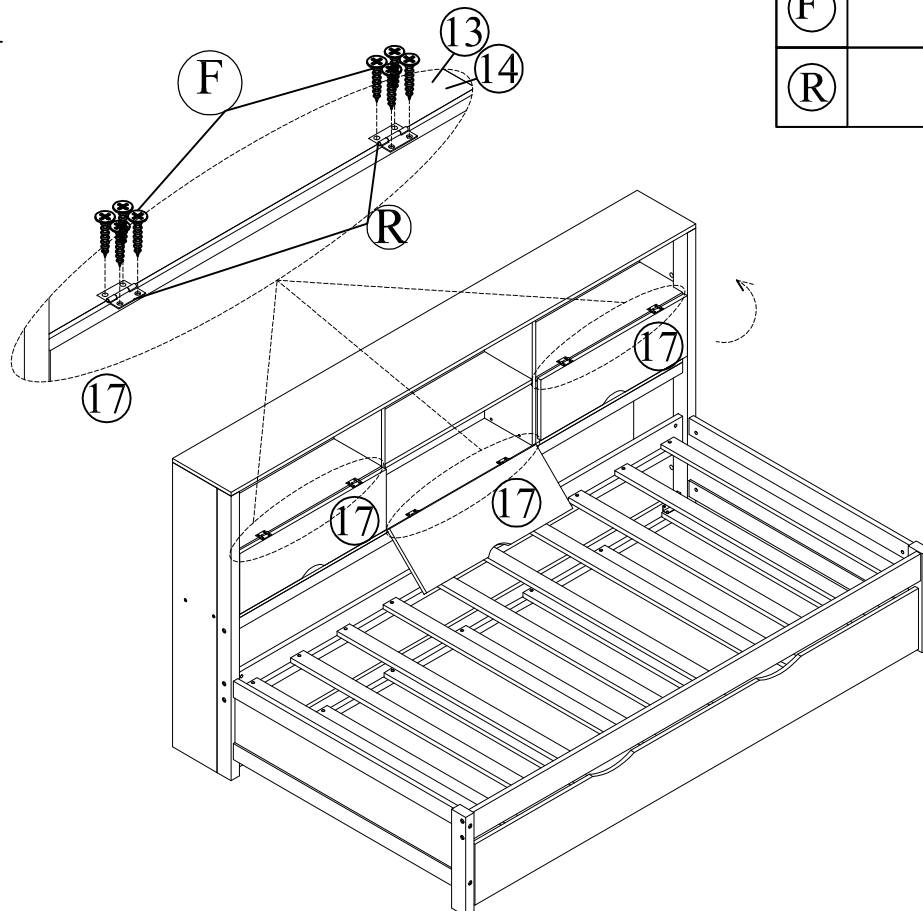
STEP 17:

(G)		16
(N)		02
(M)		02

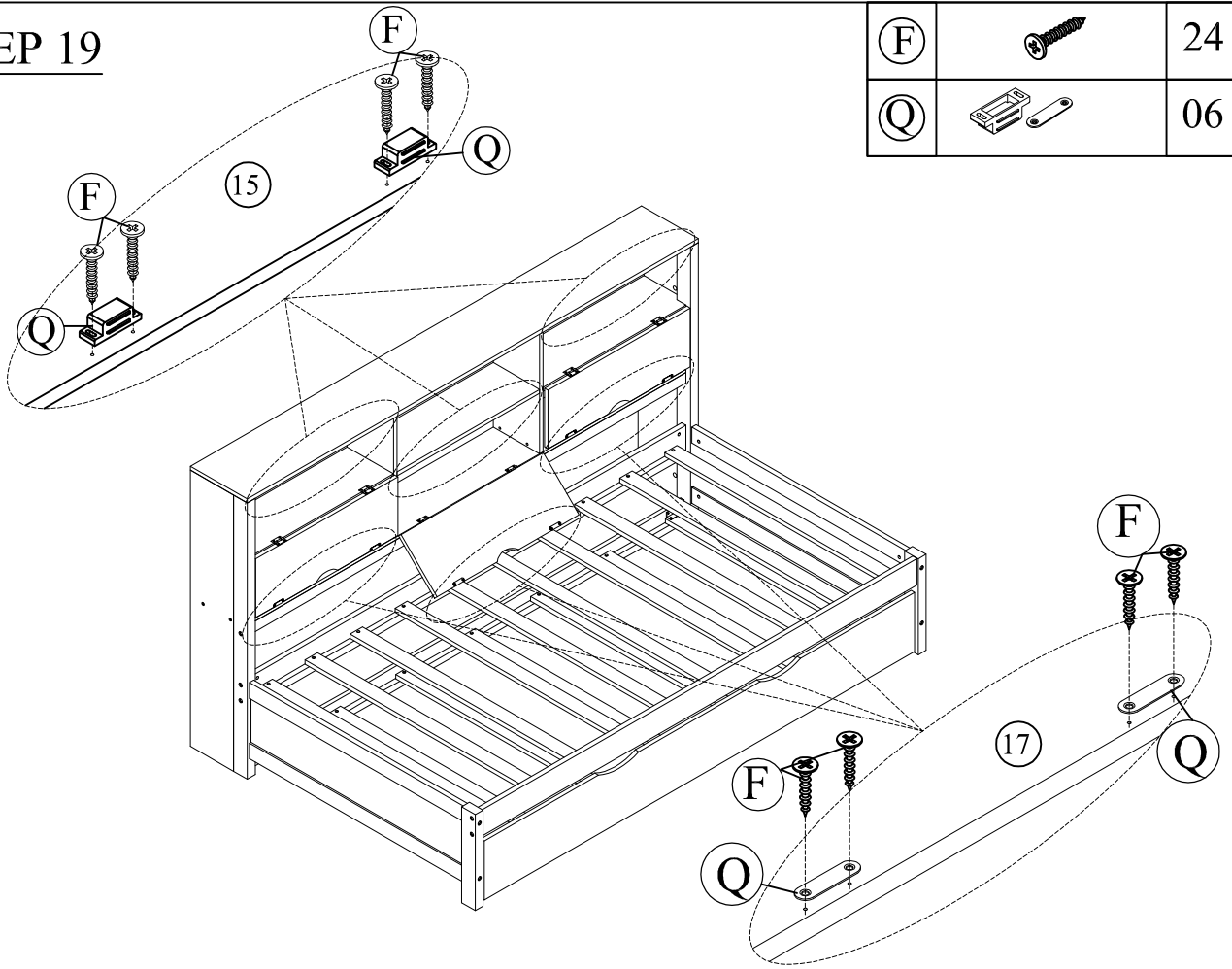




STEP 18:

(F)		24
(R)		06

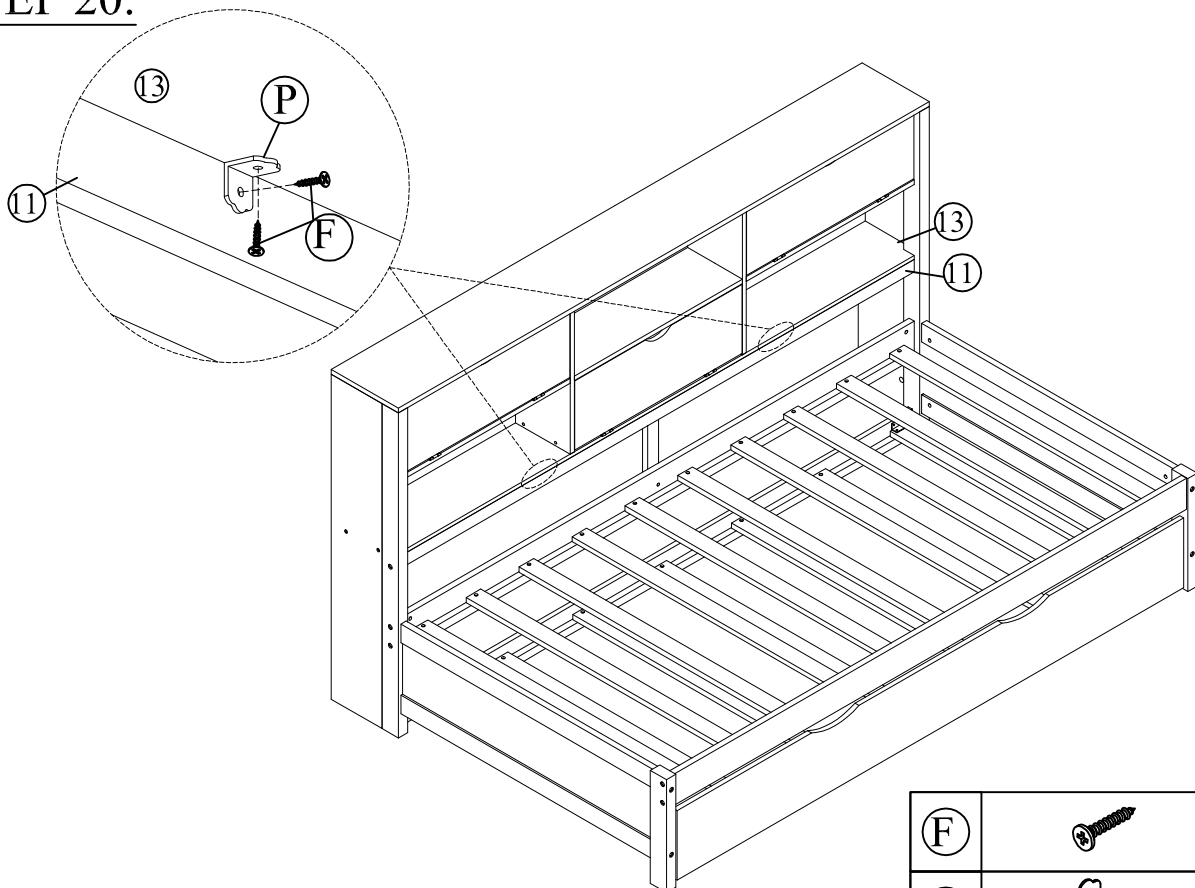




STEP 19



(F)		24
(Q)		06

STEP 20:



(F)		04
(P)		02

FINAL:

