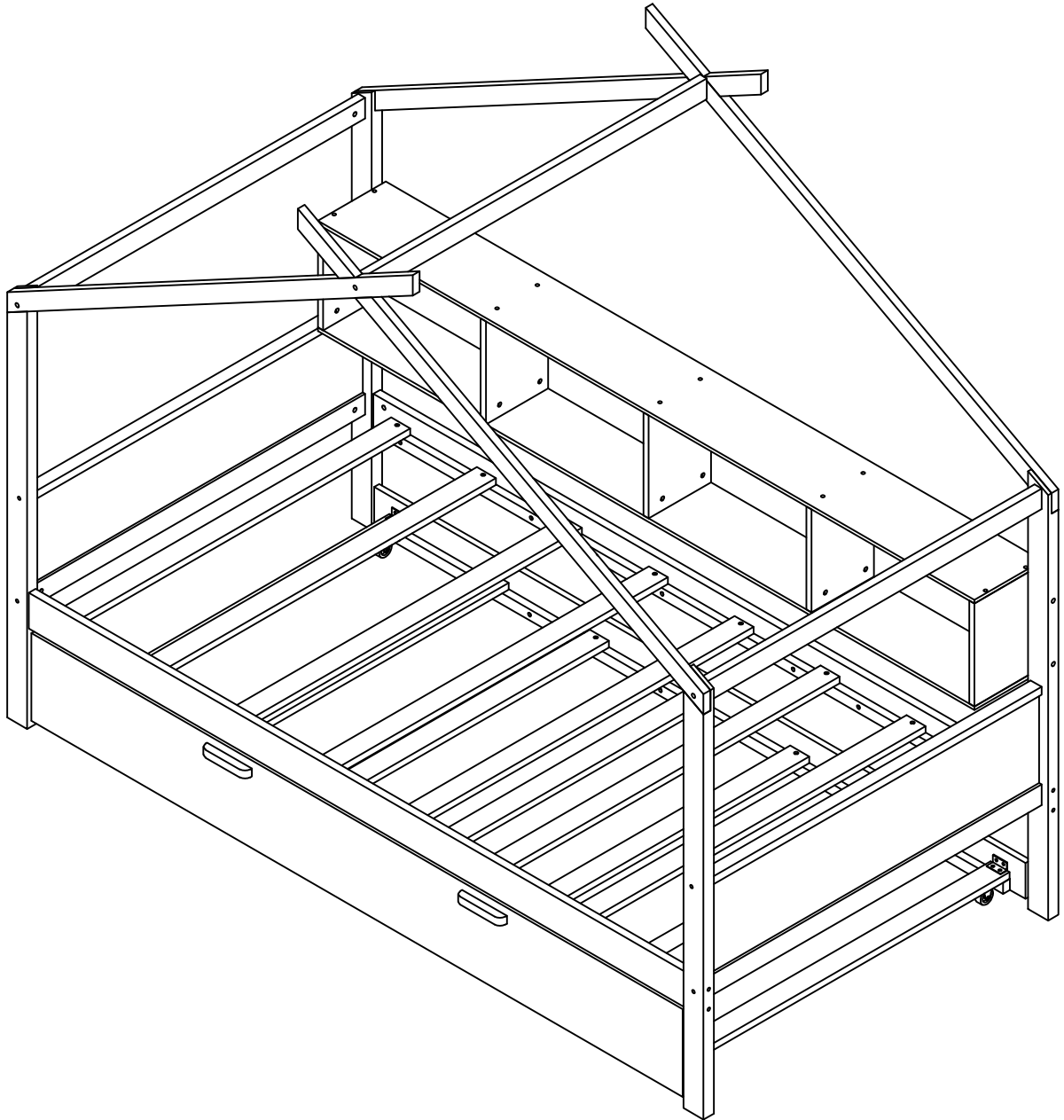


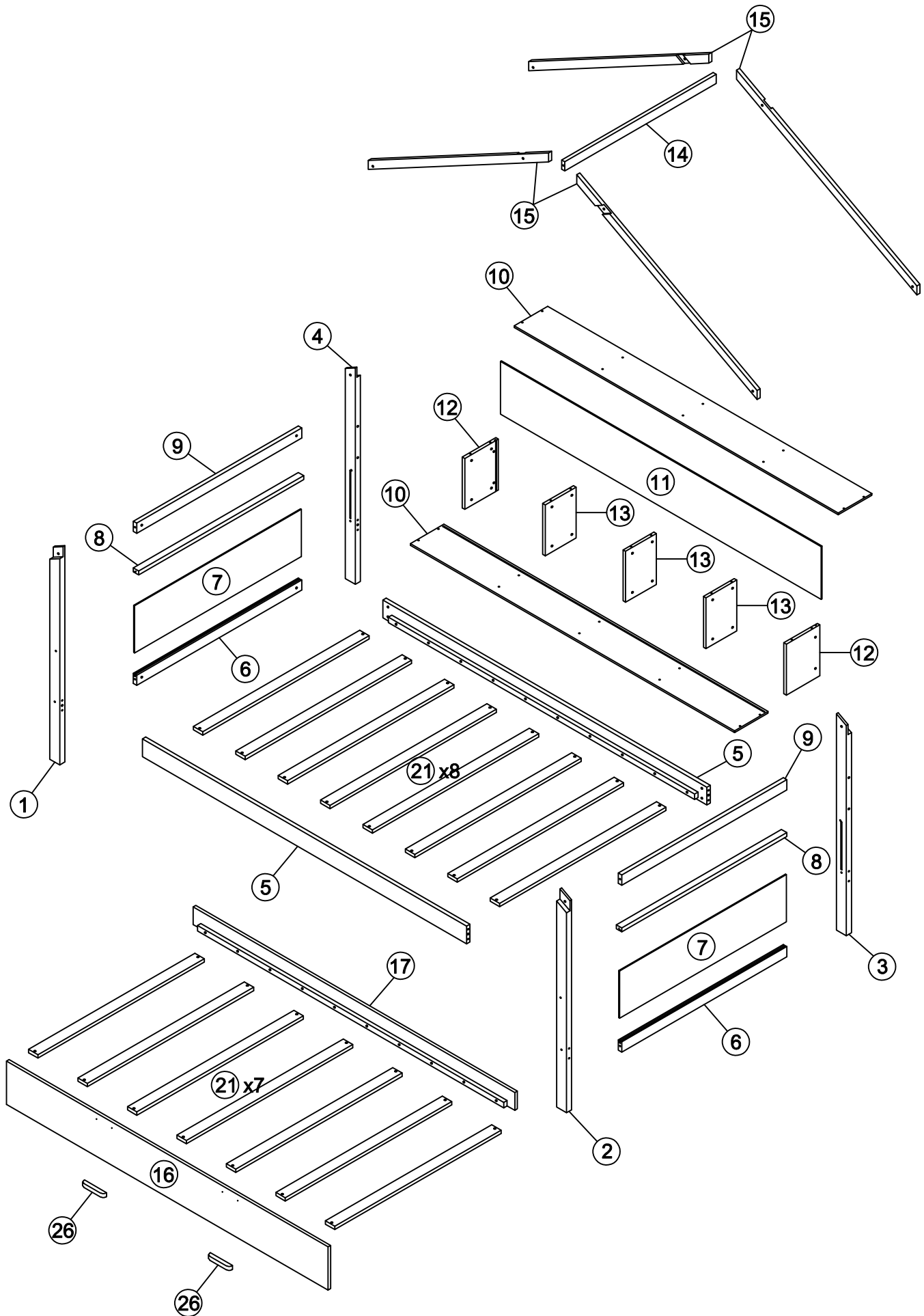
ASSEMBLY INSTRUCTIONS

TWIN BED WITH BOOKSHELF AND TRUNDLE



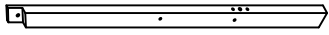
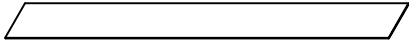
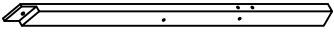
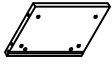
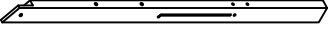
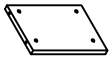
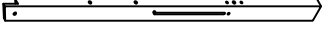


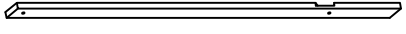
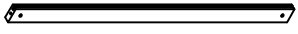
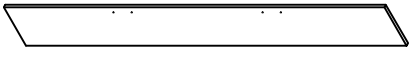
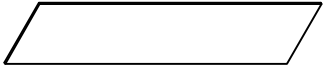

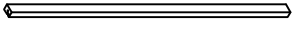
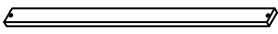
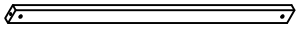

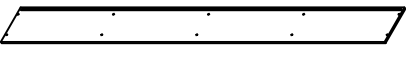
WF531030

ASSEMBLY INSTRUCTIONS








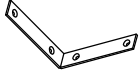

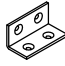





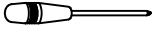
ASSEMBLY INSTRUCTIONS

WF531030 (hardware in this SKU)

1	Leg 	1pc	11	Back bookcase panels 	1pc
2	Leg 	1pc	12	Side bookcase panels 	2pcs
3	Leg 	1pc	13	Center bookcase panels 	3pcs
4	Leg 	1pc	14	Headboard frames 	1pc
5	Side rail 	2pcs	15	Roof top 	4pcs
6	Headboard frames 	2pcs	16	Front trundle panels 	1pc
7	Headboard frames 	2pcs	17	Back trundle panels 	1pc
8	Headboard frames 	2pcs	21	Slats 	15pcs
9	Headboard frames 	2pcs	26	Holder 	2pcs
10	Top & bottom bookcase panels 	2pcs			

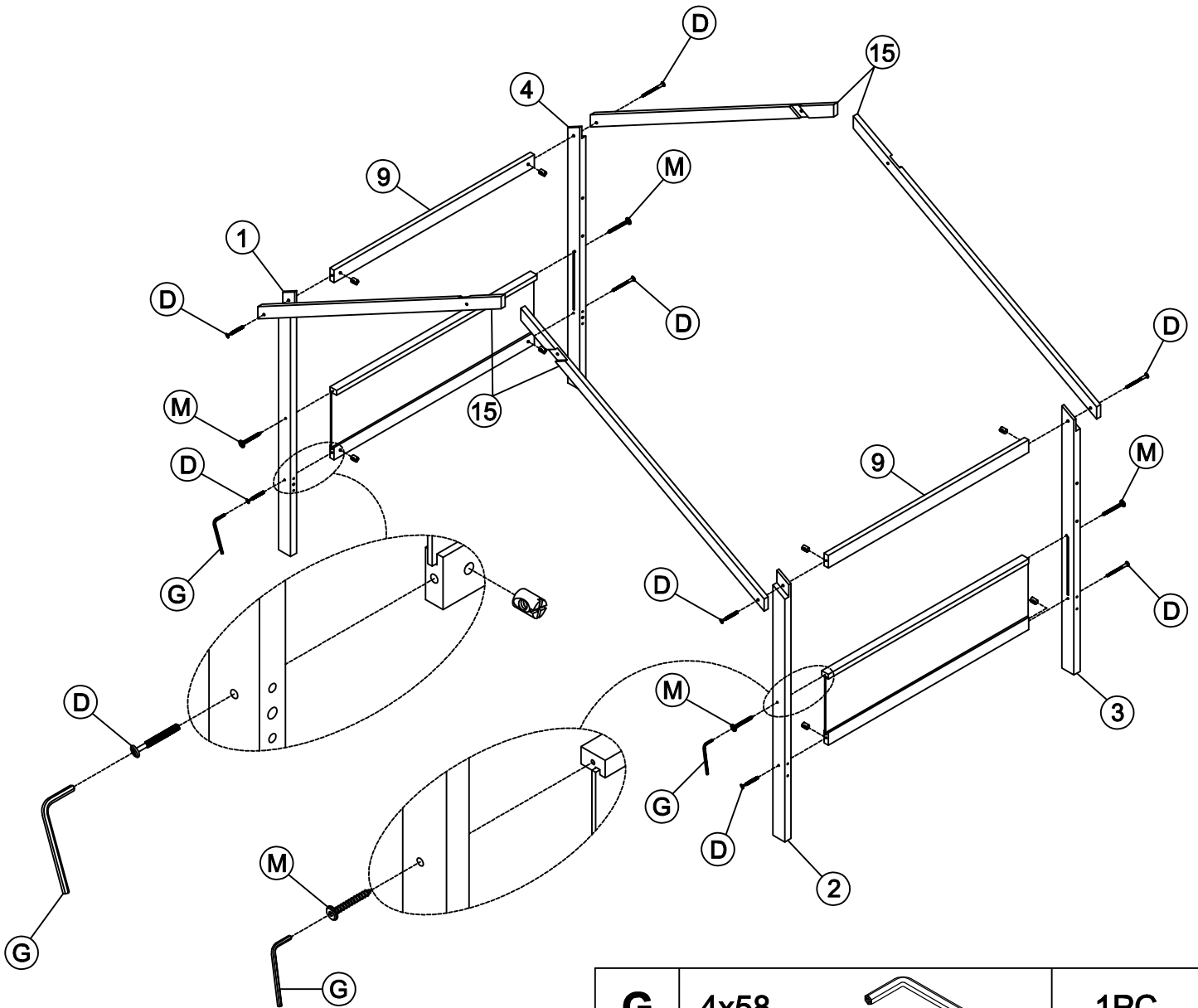
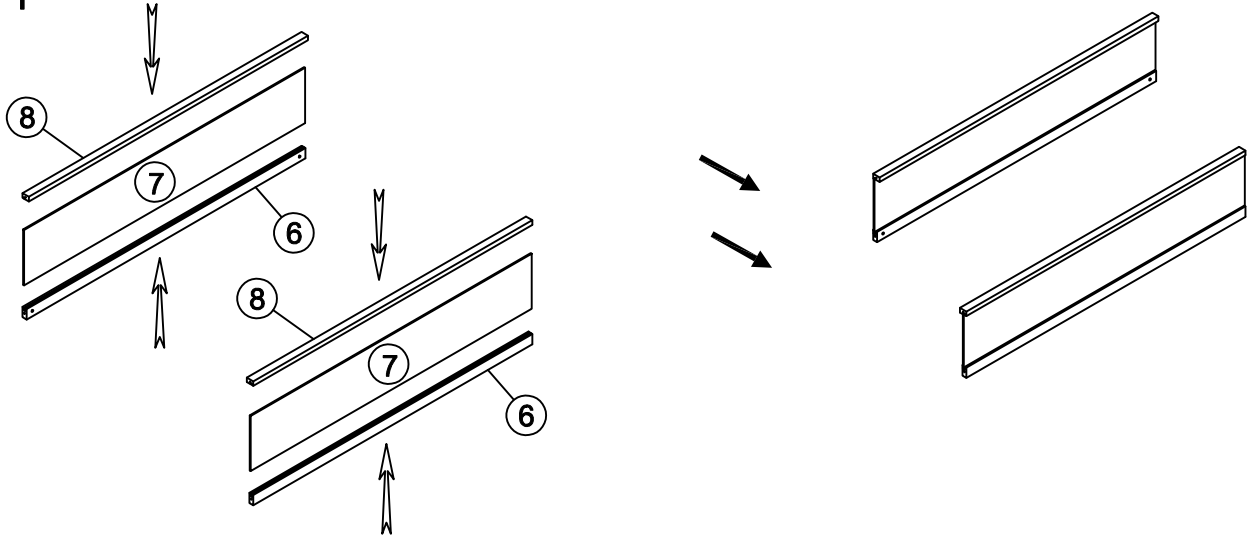
ASSEMBLY INSTRUCTIONS




WF531030 (hardware in this SKU)

A	Ø4x30		34PCS	H	1/4x65		4PCS
B	Ø4x15		32PCS	I	Ø10x40		4PCS
C	1/4x100		8PCS	J	95x95x20		2PCS
D	1/4x75		8PCS	K	40x20x20		2PCS
E	1/4x65		2PCS	L	Ø38x46x38		4PCS
F	1/4x50		20PCS	M	6.5x60		4PCS
G	4x58		1PC		Phillip head screw Not include		

ASSEMBLY INSTRUCTIONS

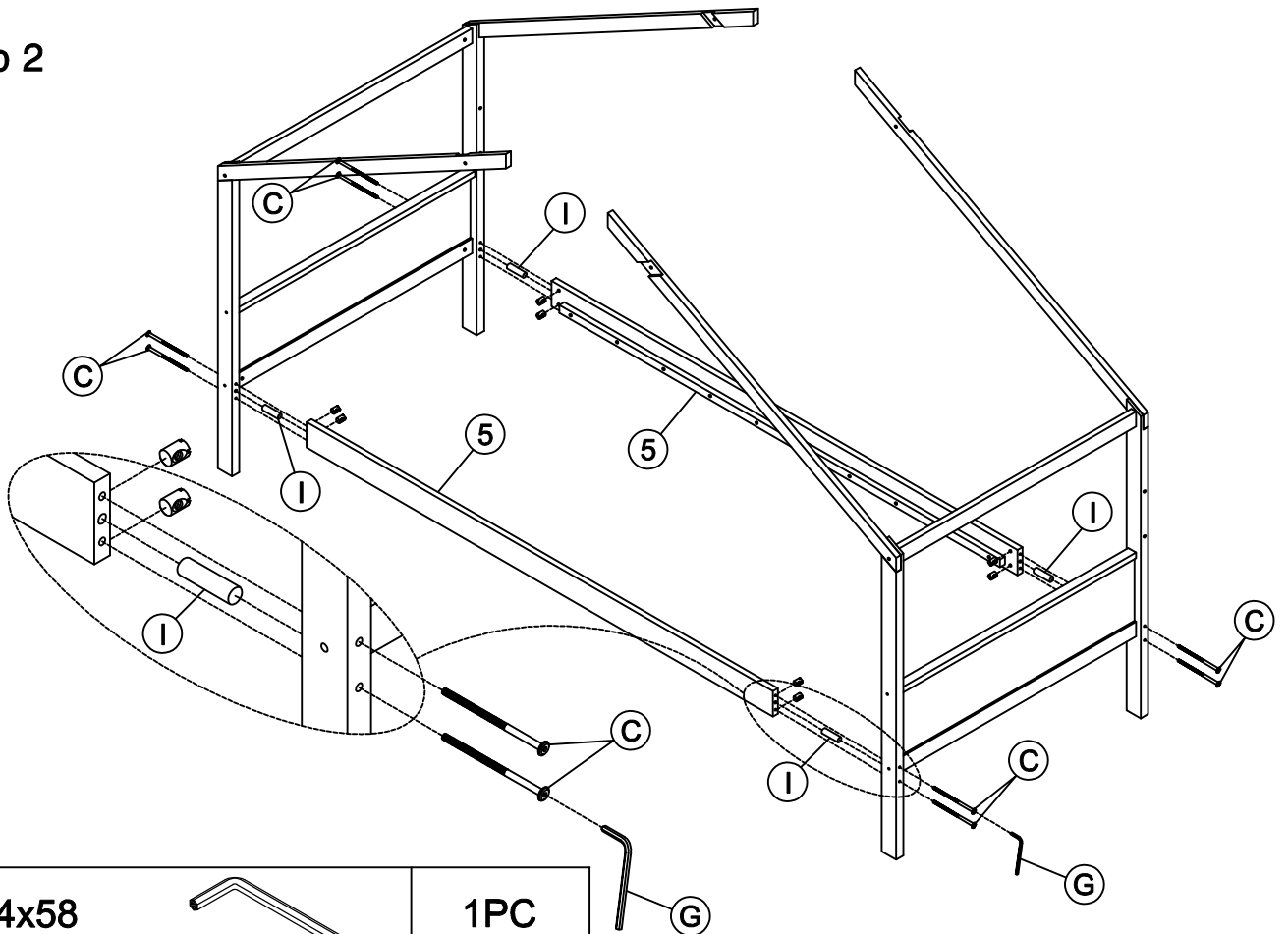
Step 1



G	4x58		1PC
D	1/4x75		8PCS
M	6.5x60		4PCS

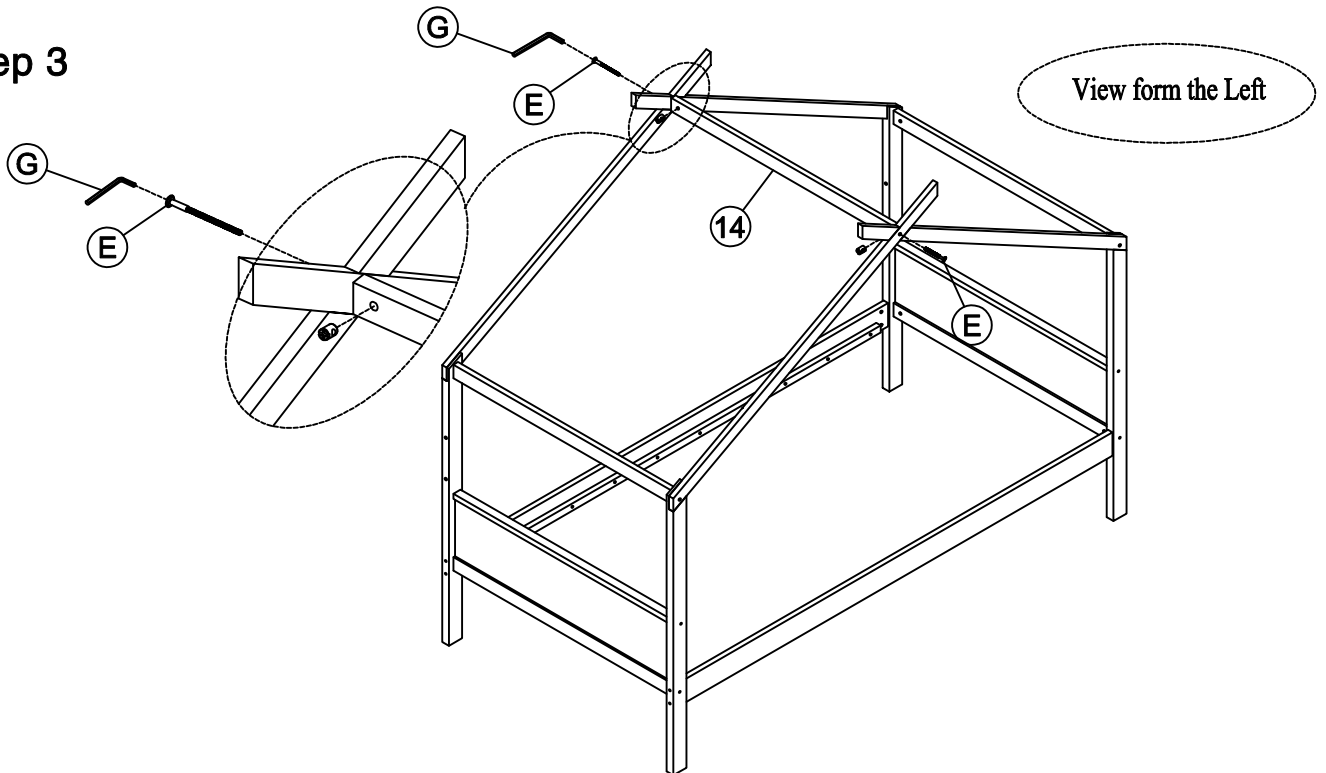
ASSEMBLY INSTRUCTIONS

Step 2



G	4x58		1PC		G	
I	Ø10x40		4PCS	C	1/4x100	8PCS

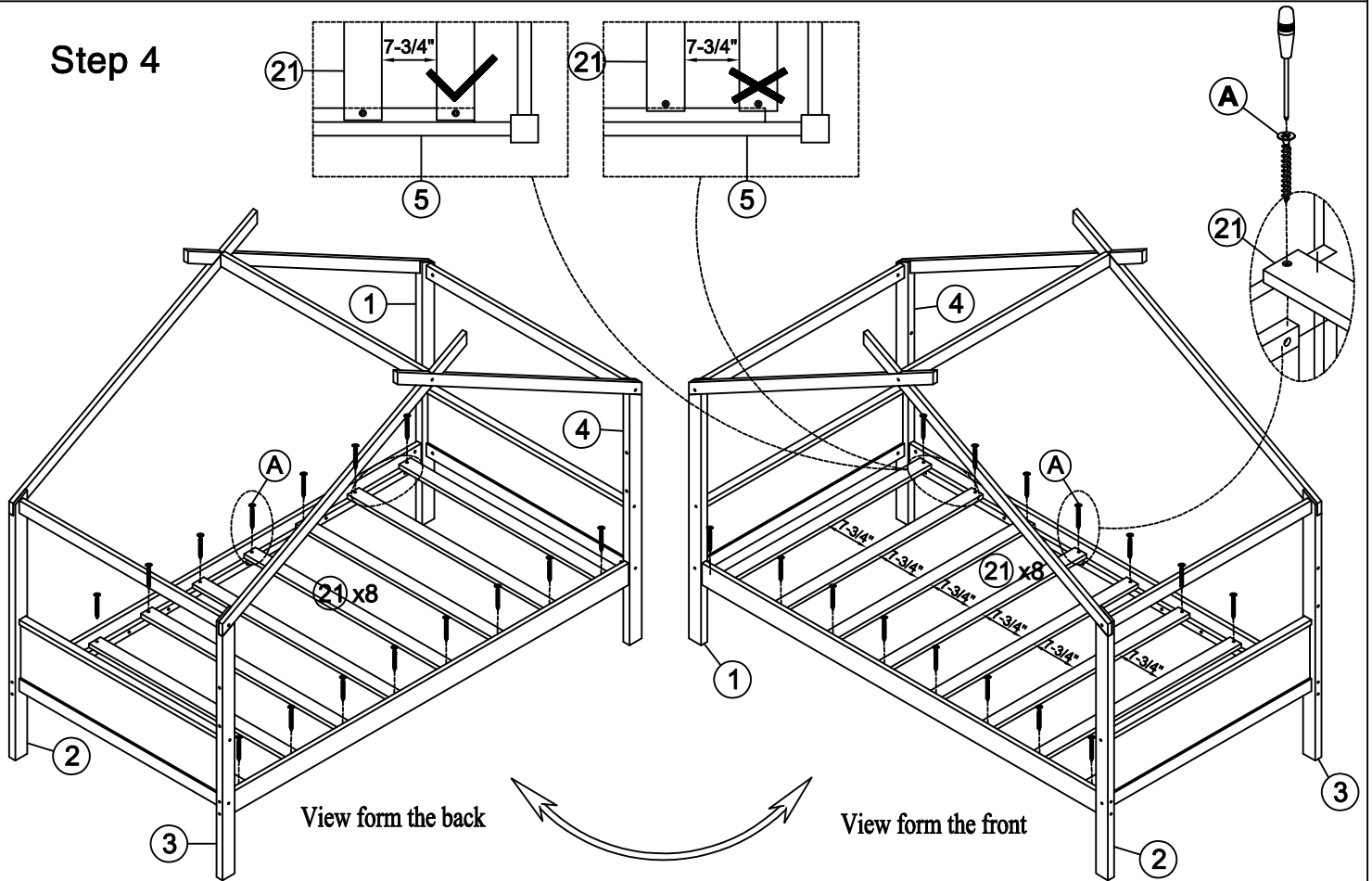
Step 3



E	1/4x65		2PCS	G	4x58		1PC
----------	--------	--	------	----------	------	--	-----

ASSEMBLY INSTRUCTIONS

Step 4

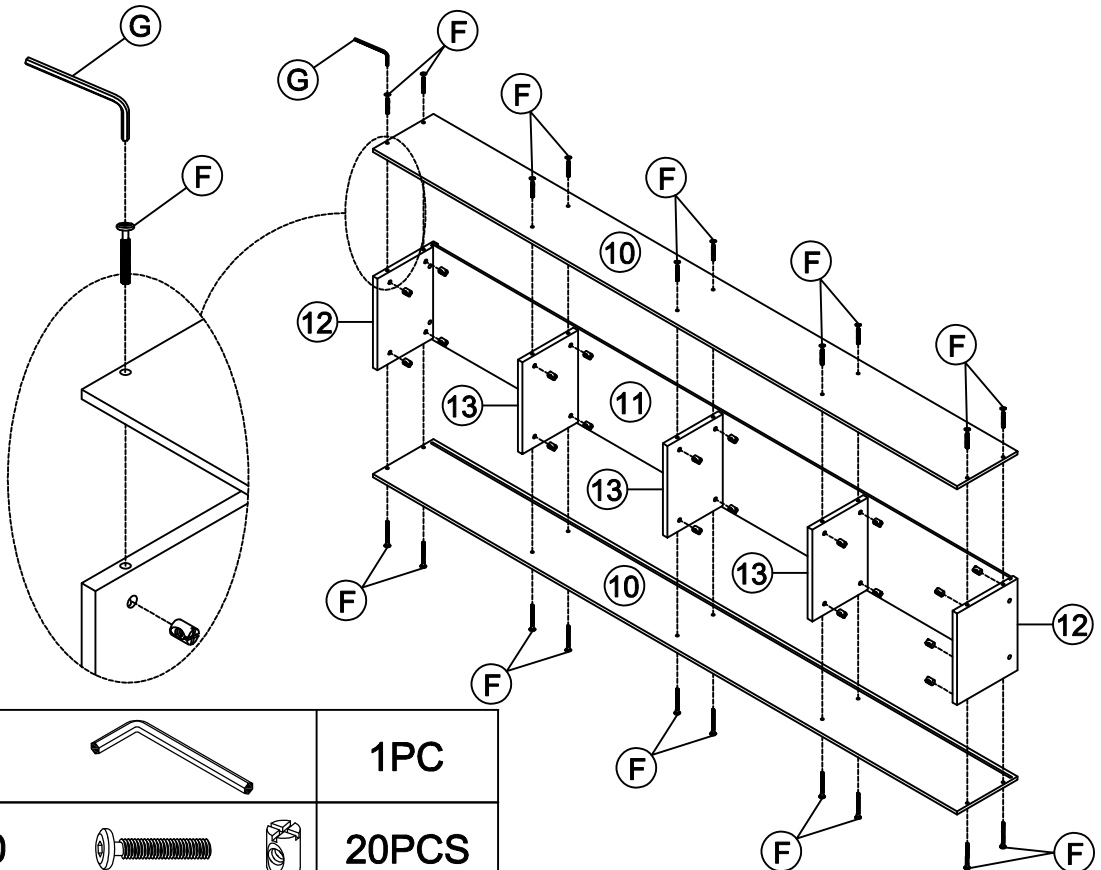


First attach 2pcs part 21 to the front and end of the frame between headboard. Then attach the remaining part 21 equidistantly between headboard

A Ø4x30 


16PCS

Step 5



G 4x58 

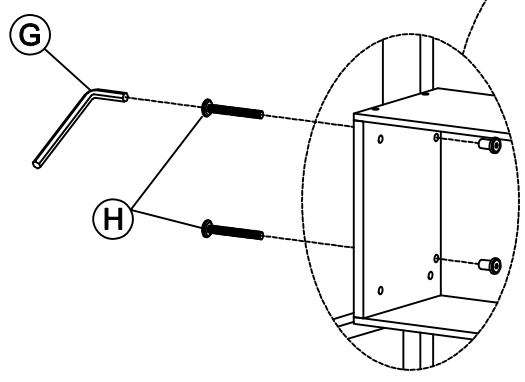
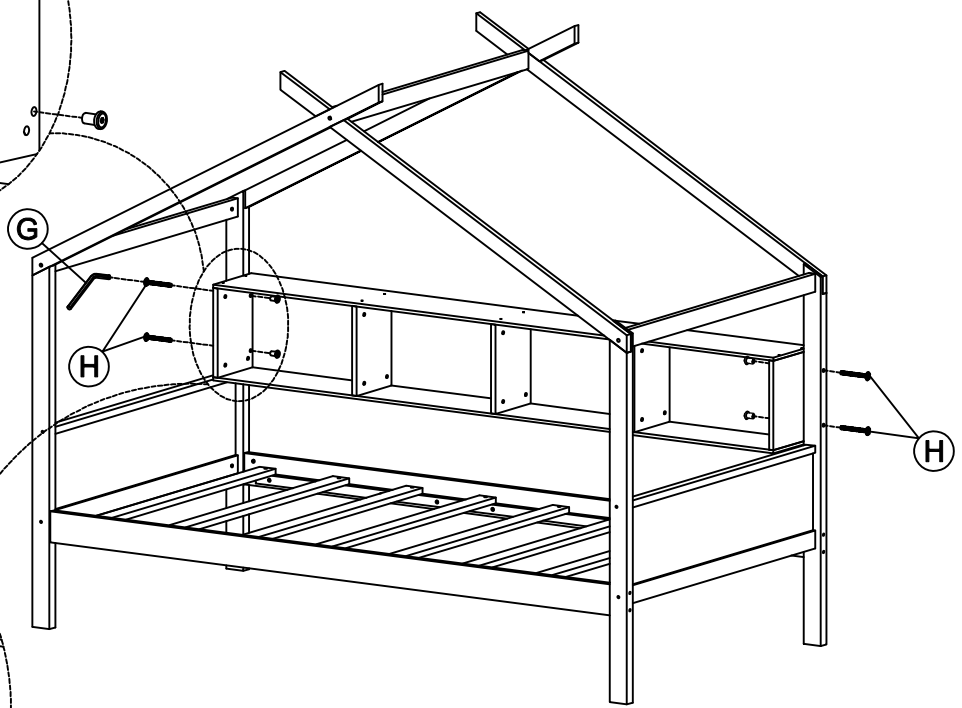
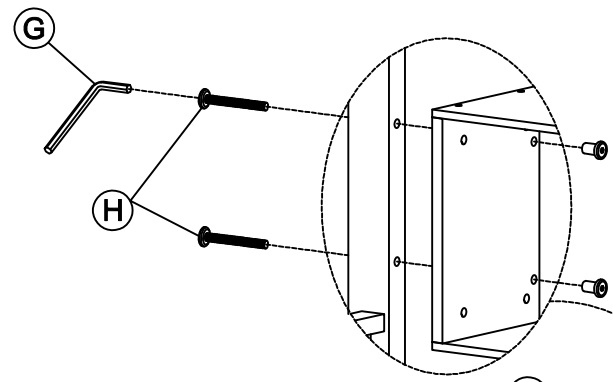
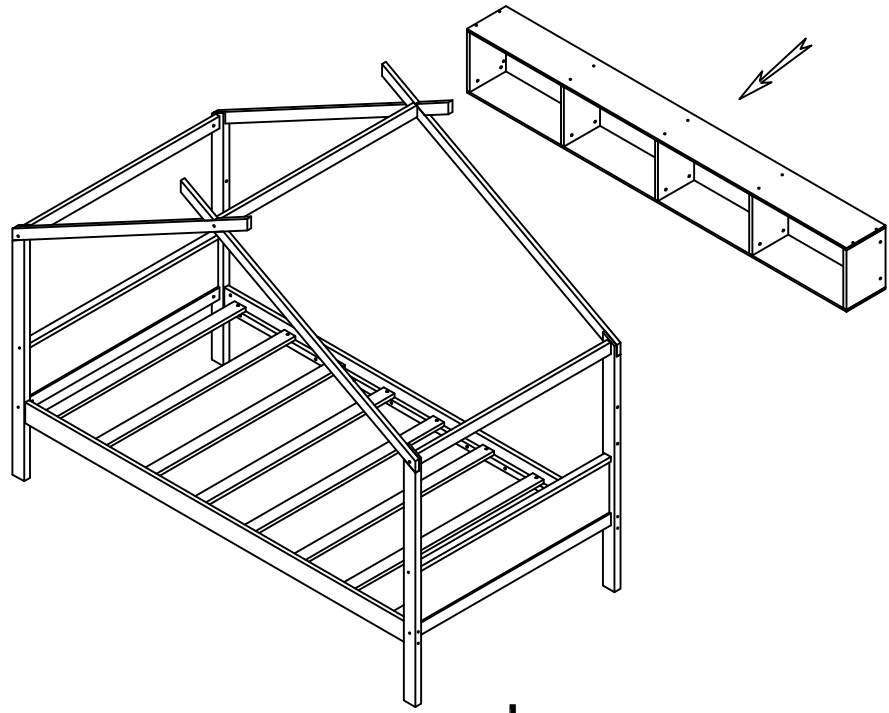
1PC



F 1/4x50  

20PCS

ASSEMBLY INSTRUCTIONS

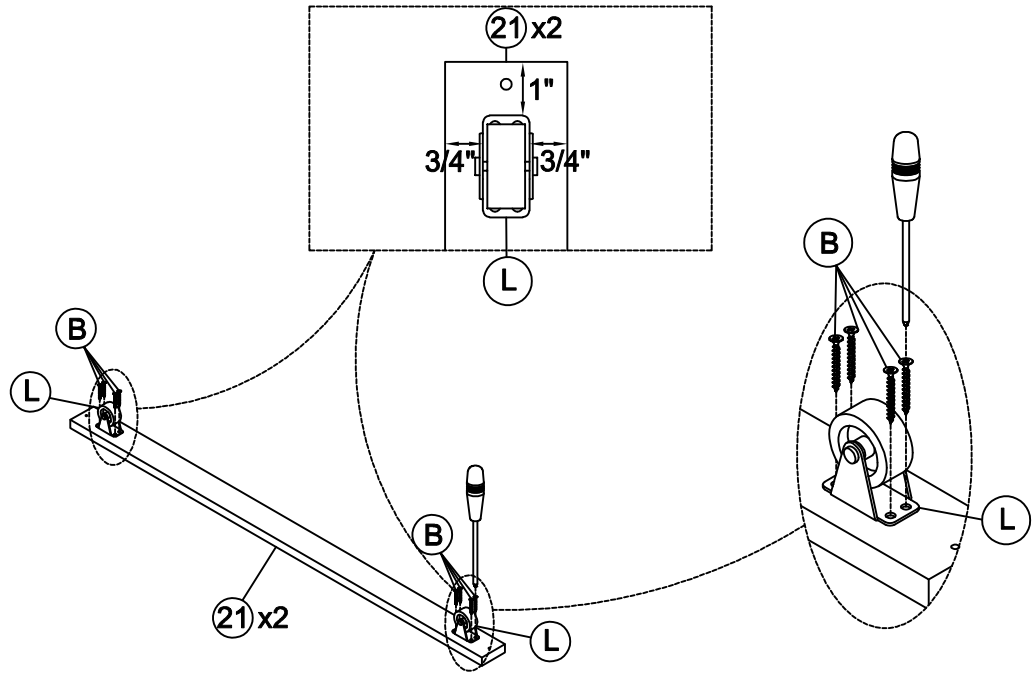
Step 6





H	1/4x65		4PCS	G	4x58		1PC
----------	--------	---	------	----------	------	---	-----

ASSEMBLY INSTRUCTIONS

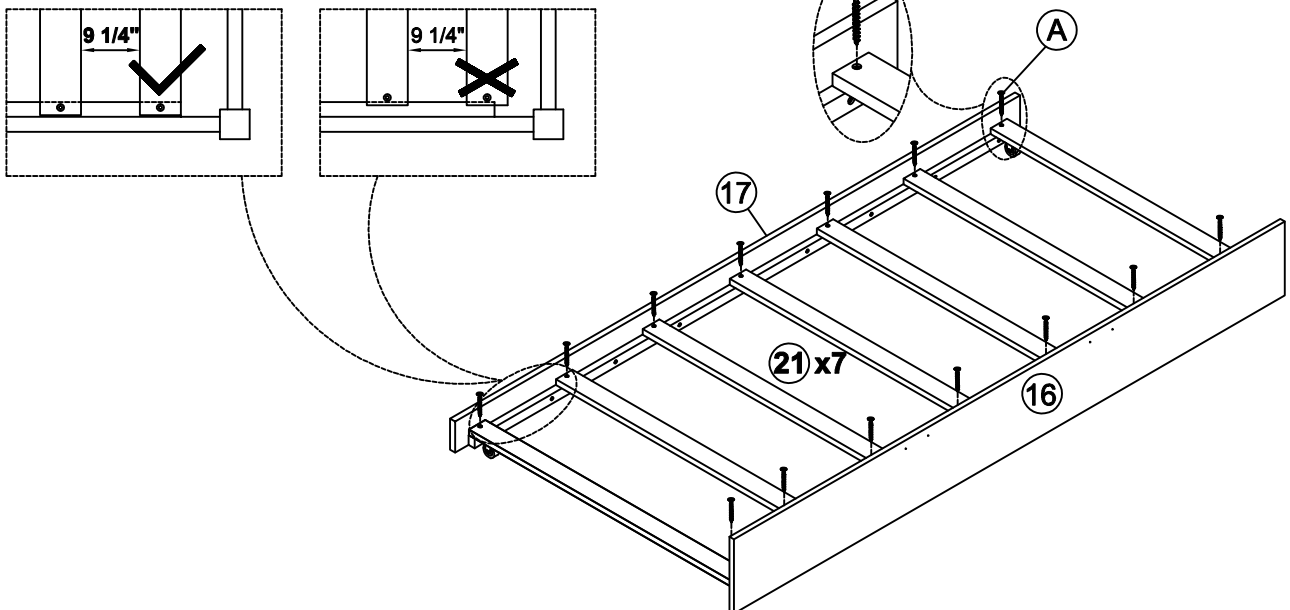
Step 7



L	Ø38x46x38		4PCS	B	Ø4x15		16PCS
----------	-----------	--	------	----------	-------	---	-------

Step 8

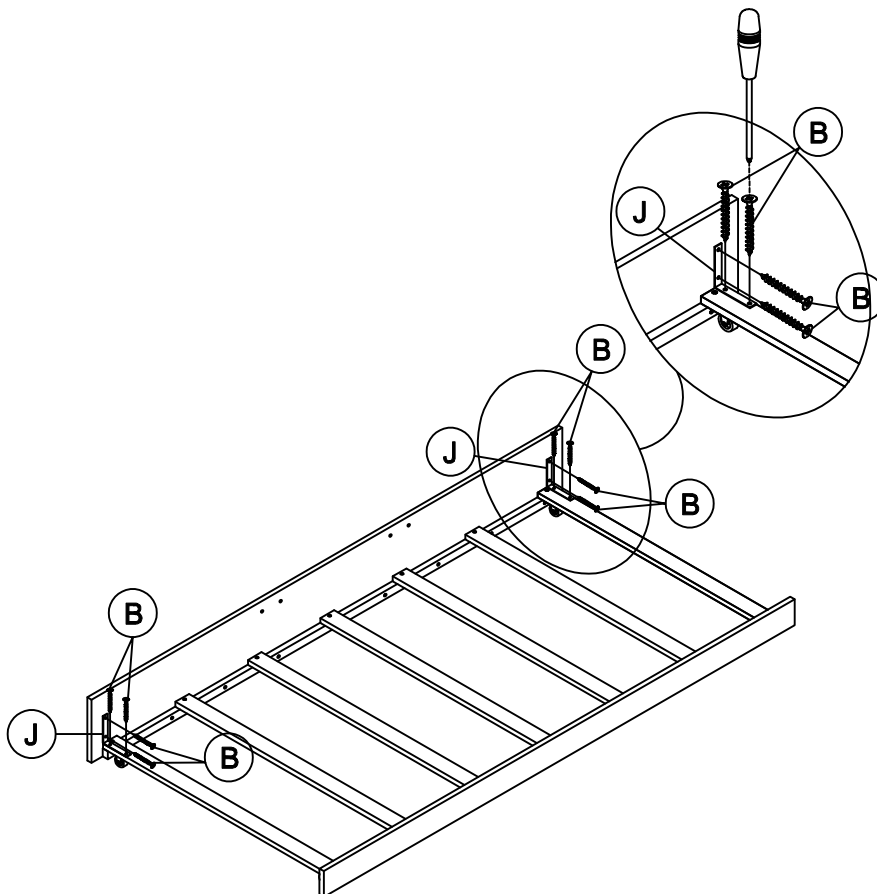
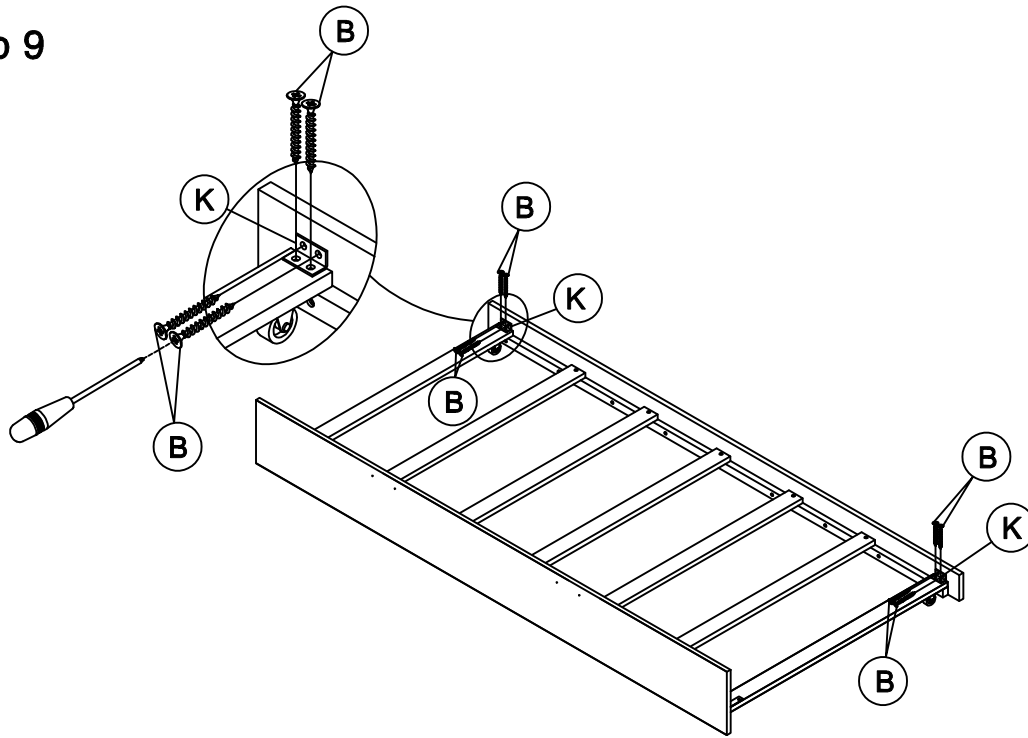
First attach 2pcs part 21 to the front and end of the frame between headboard. Then attach the remaining part 21 equidistantly between headboard



A	Ø4x30		14PCS
----------	-------	---	-------

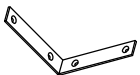
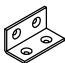

ASSEMBLY INSTRUCTIONS

Step 9



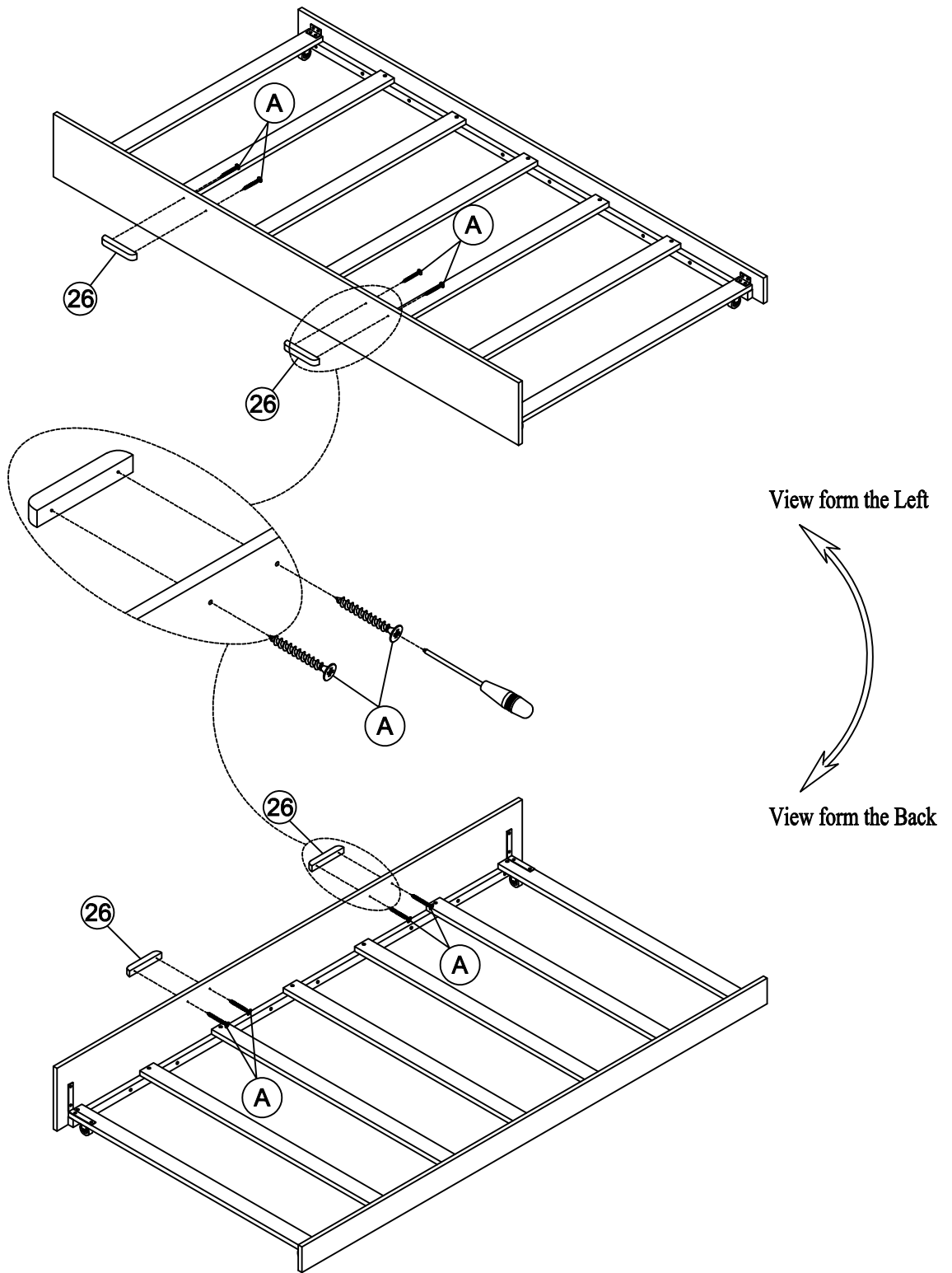
View form the Left

View form the Back

J	95x95x20		2PCS				
K	40x20x20		2PCS	B	Ø4x15		16PCS

ASSEMBLY INSTRUCTIONS

Step 9



A

Ø4x30



4PCS

ASSEMBLY INSTRUCTIONS

Step 10

