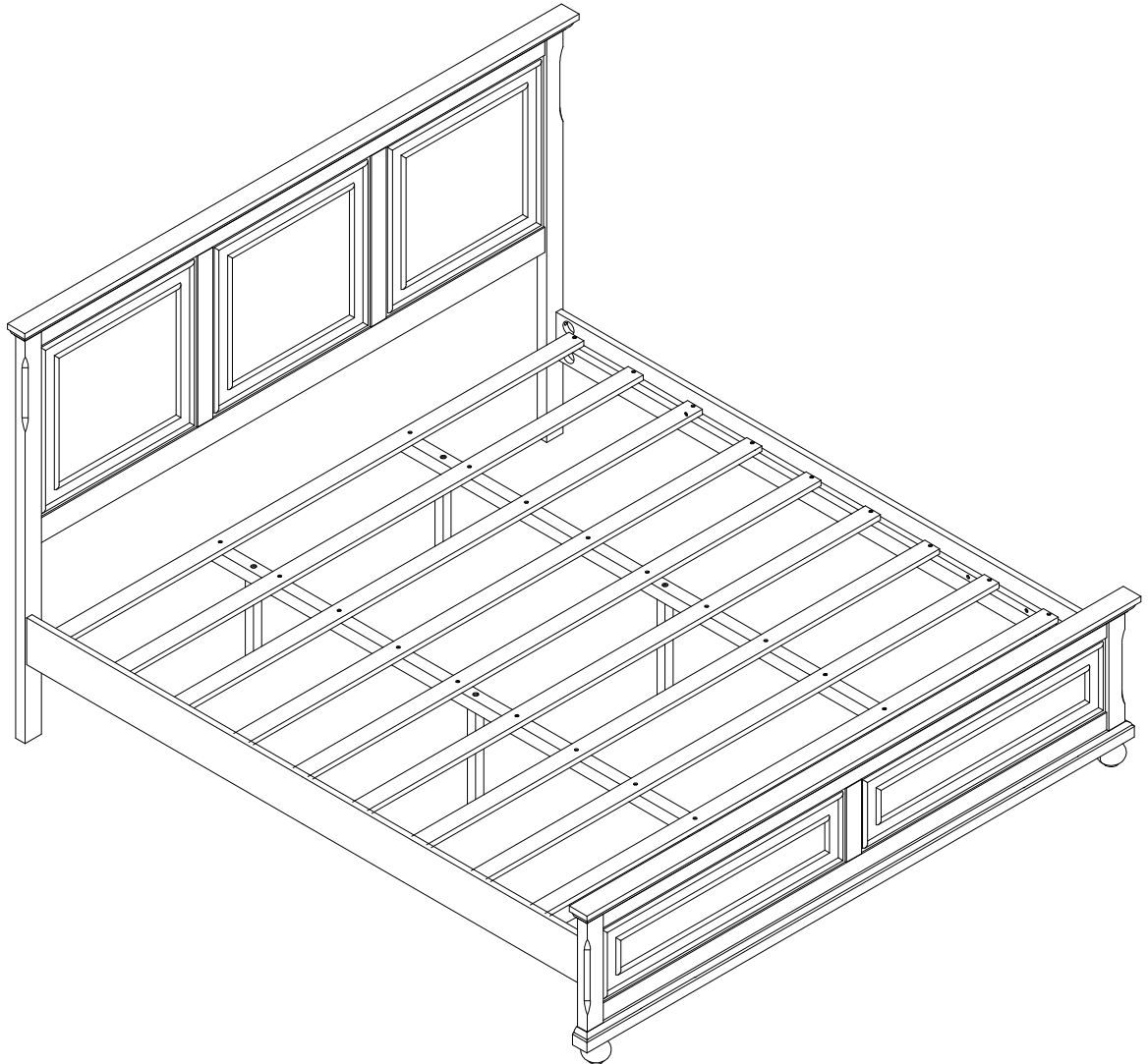


# ASSEMBLY INSTRUCTIONS

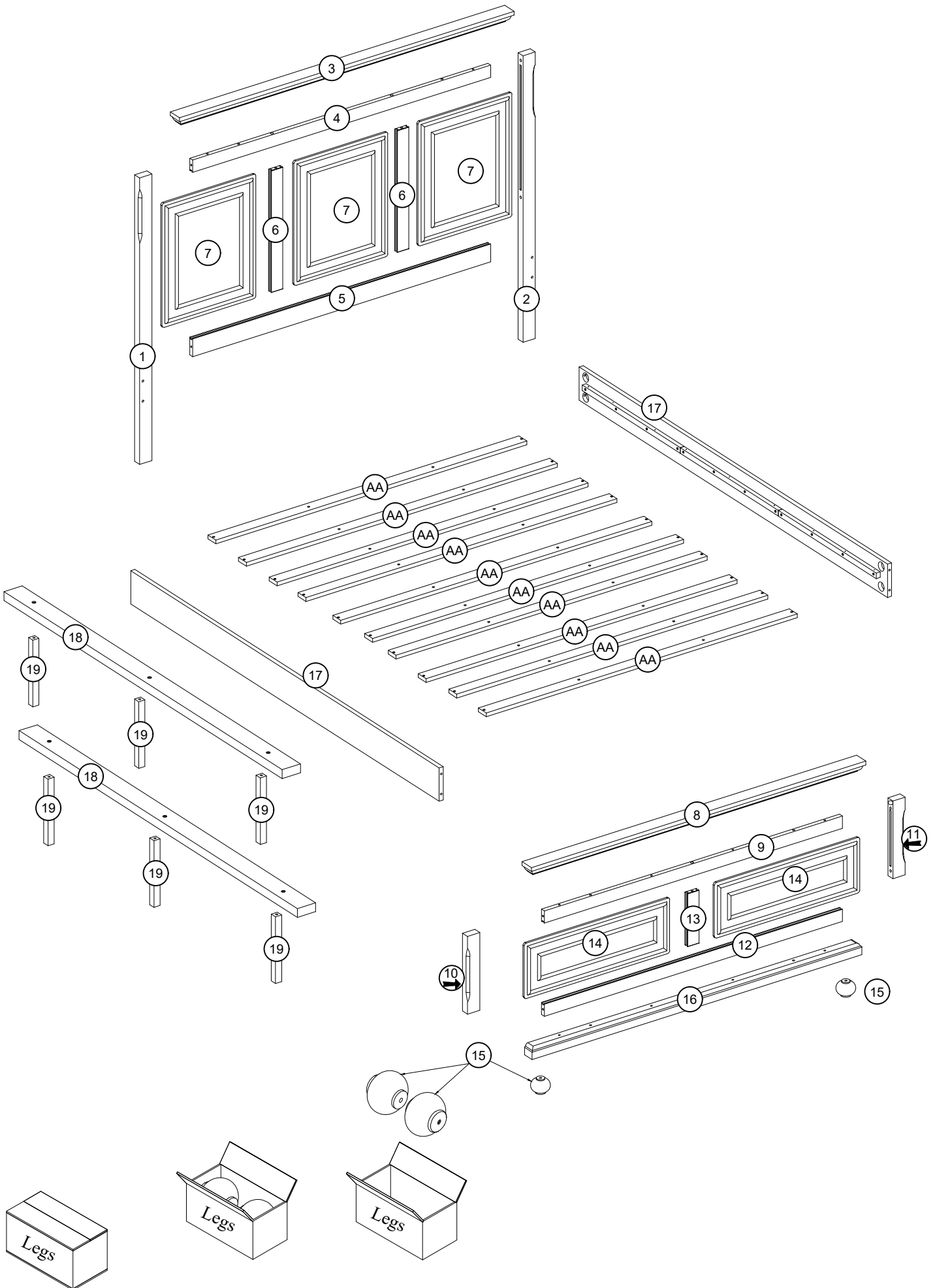
## KING BED



This set is included 2 boxes if don't receive full 2 boxes please contact our customer service team.








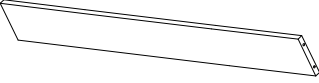
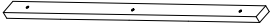
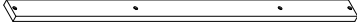
WF326207+08

# Detail View







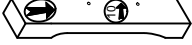
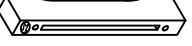

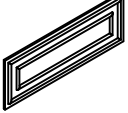
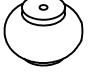
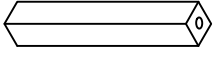
Part List :

WF326207

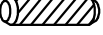








<b>3</b>  Bed Head Cover -1pc	<b>4</b>  Upper Horizontal Bar-1pc	<b>5</b>  Lower Horizontal Bar-1pc
<b>8</b>  Bed Head Cover -1pc	<b>9</b>  Upper Horizontal Bar-1pc	<b>12</b>  Lower Horizontal Bar-1pc
<b>16</b>  Bottom Bar-1pc	<b>17</b>  Shoulder Bed left-2pcs	<b>18</b>  Flap support bar -2pc
<b>AA</b>  Slat-10pcs		

# Part List :

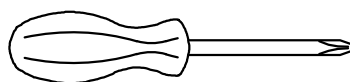
# WF326208

<b>1</b>  Left Hind Leg-1pc	<b>2</b>  Right Hind Leg-1pc	<b>6</b>  High Headed Quiz-2pcs
<b>7</b>  High Headboard-3pcs	<b>10</b>  Left Fore Leg-1pc	<b>11</b>  Right Forefoot-1pc
<b>13</b>  Short Standing Quiz-1pc	<b>14</b>  Bed Endboard-2pcs	<b>15</b>  Low Head Legs-2pcs
<b>19</b>  Father's Foot-6pcs		

## Hardware List

<b>A</b>  Ø 10 x 30mm Wood dowel =6pcs	<b>B</b>  Ø1/4" x 85mm Hex-Head bolt=2pcs	<b>C</b>  Ø1/4" x 75mm Hex-Head bolt=2pcs
<b>D</b>  Ø1/4" x 60mm Hex-Head bolt=15pcs	<b>E</b>  Ø1/4" x 40mm Hex-Head bolt =16pcs	<b>F</b>  Ø1/4" x 25mm Metal Crescent Washer=6pcs
<b>G</b>  Flat washers =16pcs	<b>H</b>  #4 x 25mm Screw=40pcs	<b>I</b>  K4mm Allen key (1pc)

### ASSEMBLY TOOLS REQUIRED ( NOT INCLUDED )



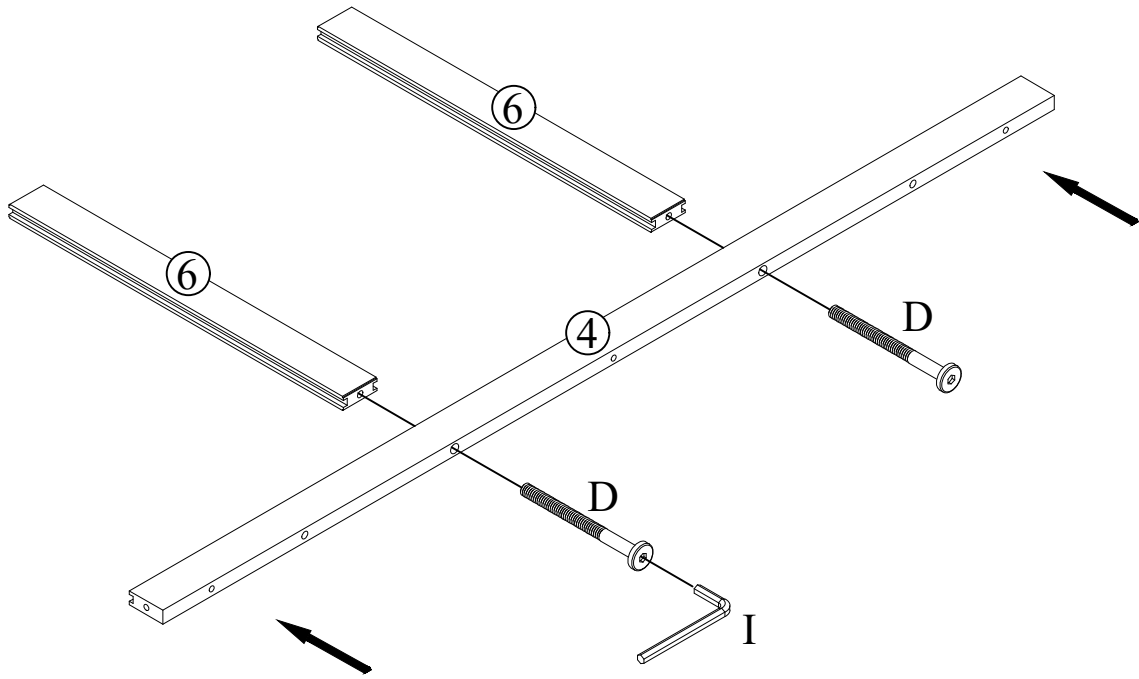
**PLEASE BE CAREFUL DO NOT DAMAGE THE HOLE POSITION WHEN YOU USE POWER TOOLS !**

STEP 1:

D



2PCS



STEP 2:

A

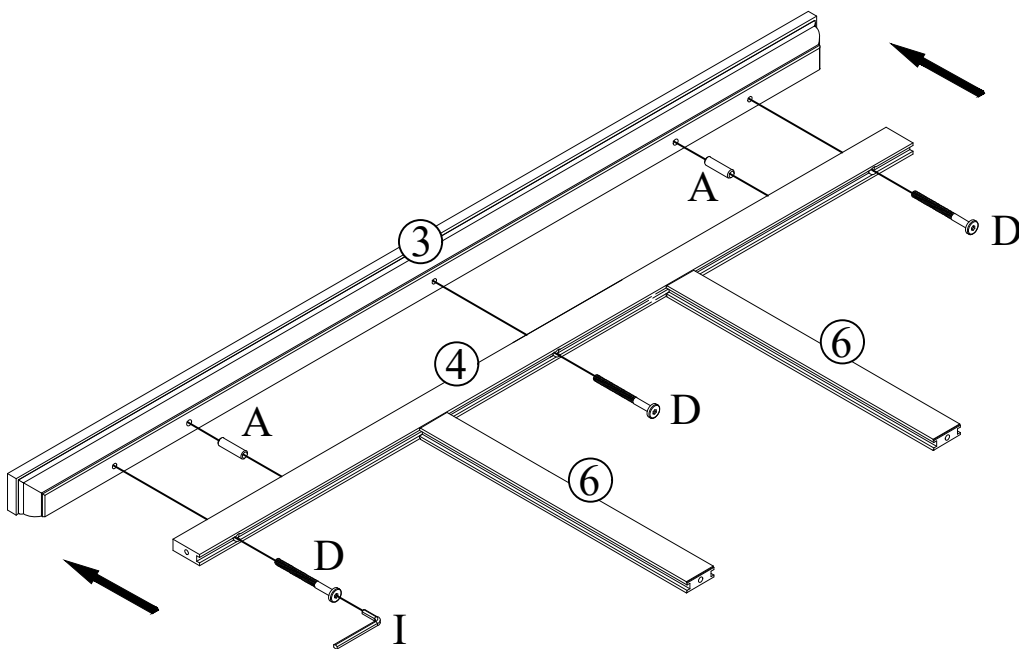


2PCS

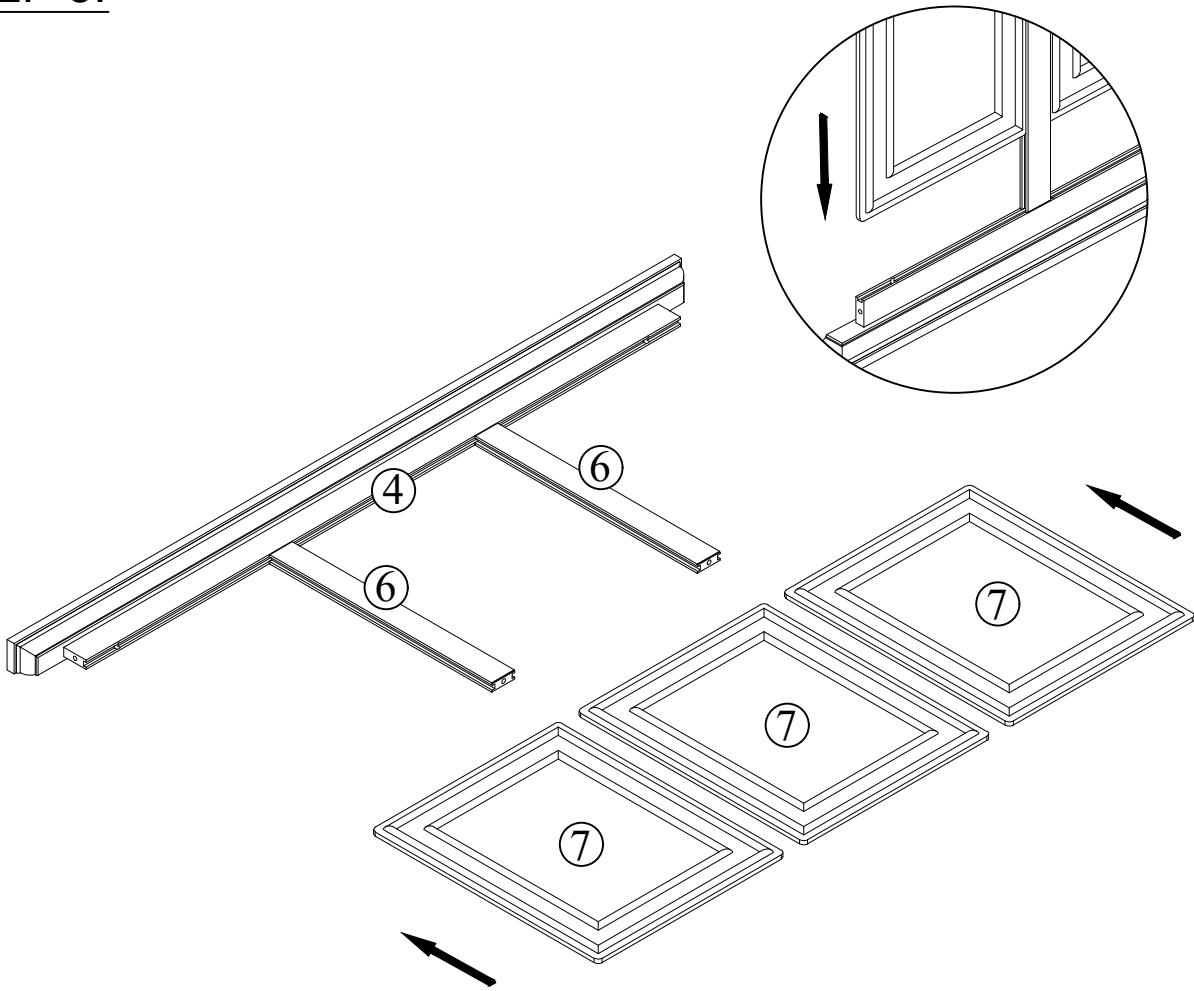
D



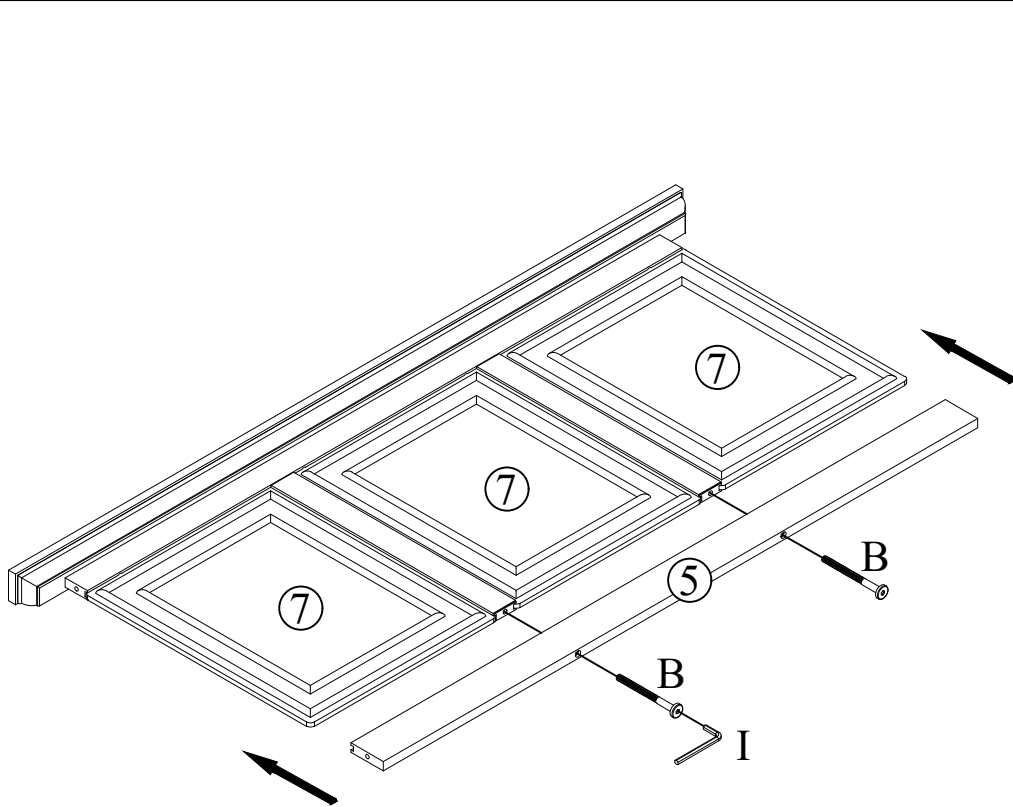
3PCS



STEP 3:



STEP 4:





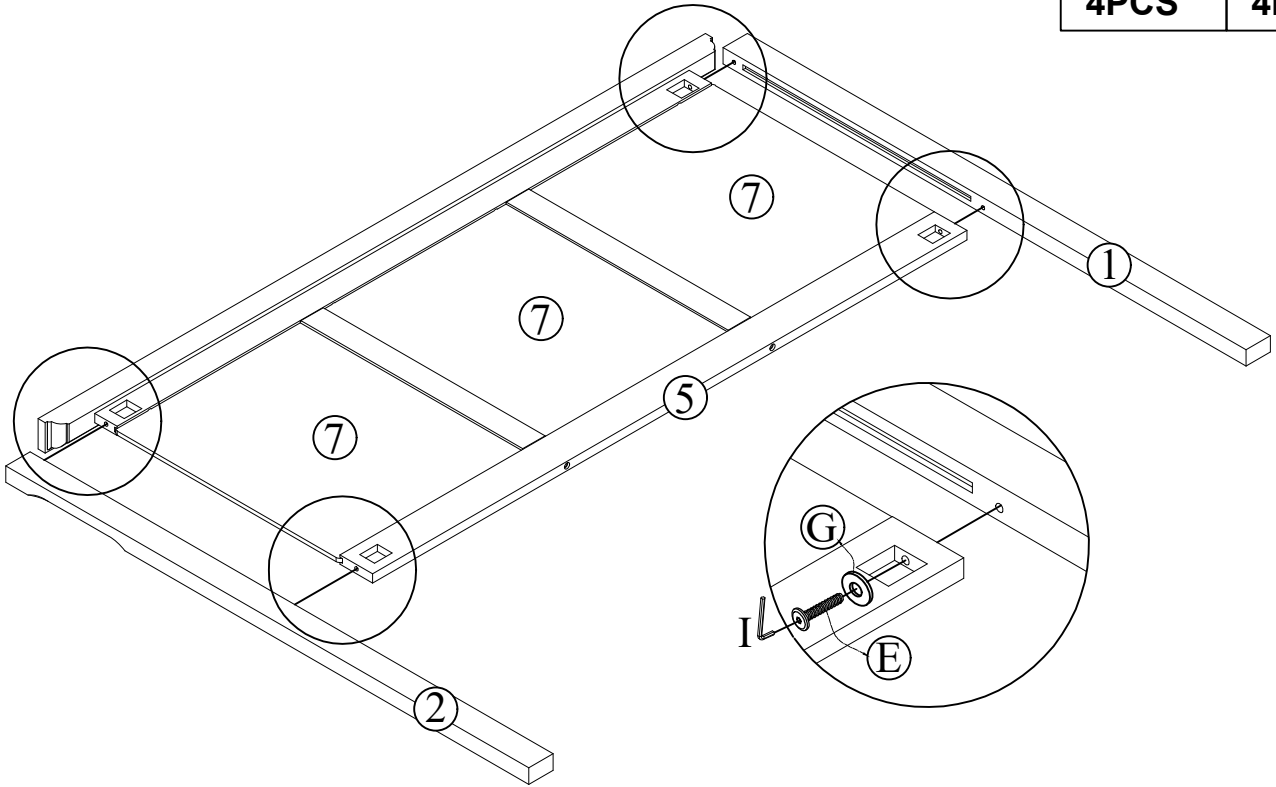
B




2PCS

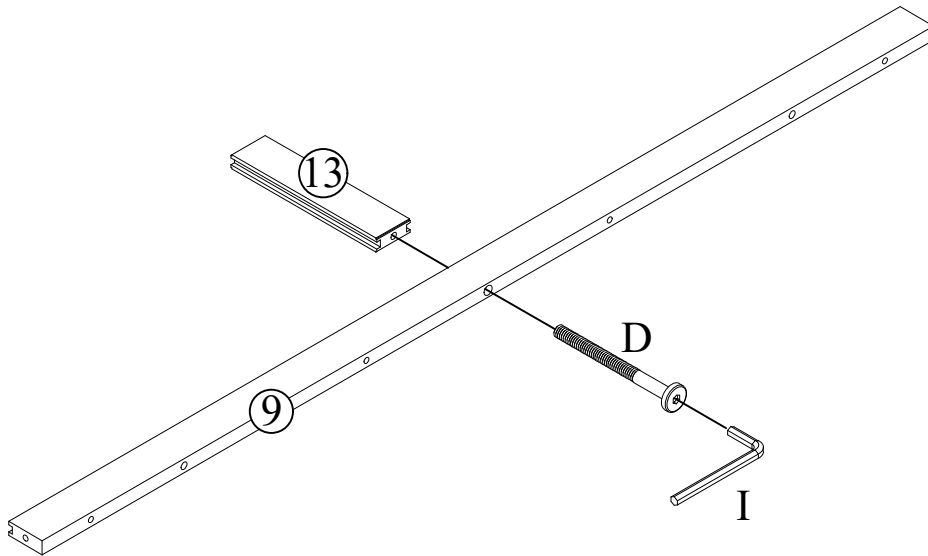
STEP 4:

G	E
	
4PCS	4PCS





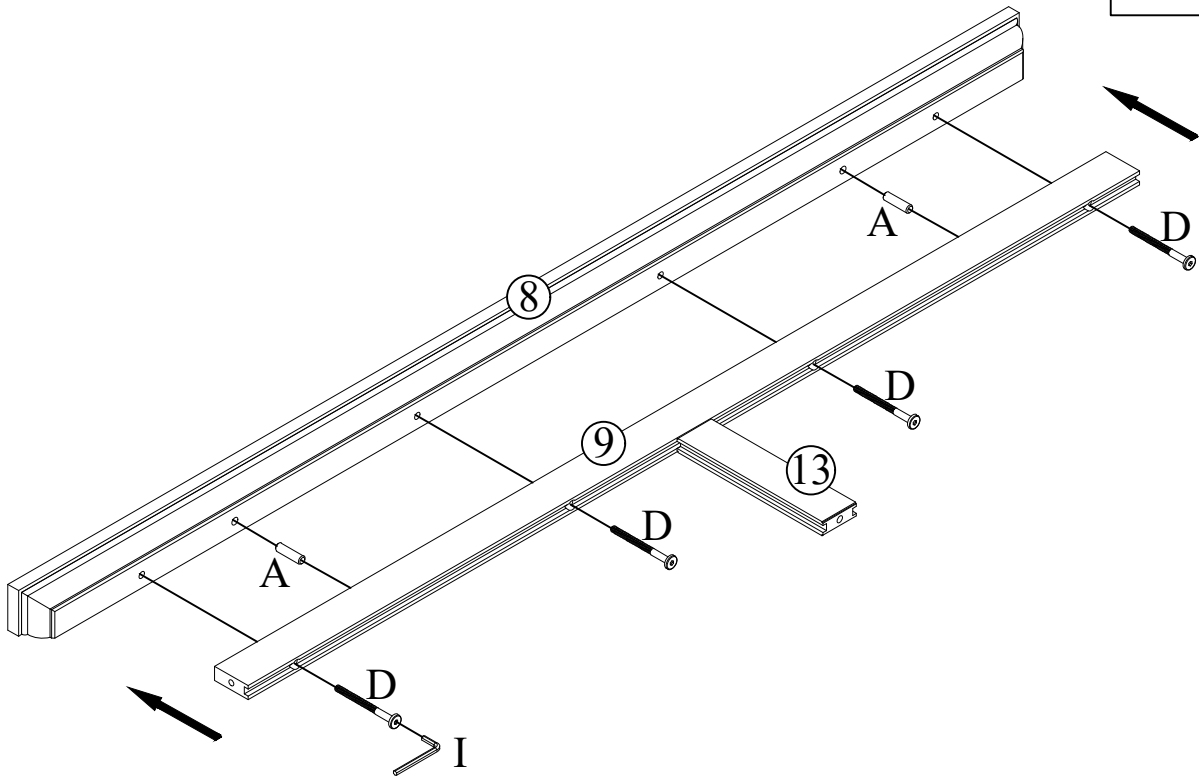
STEP 5:

D

1PC

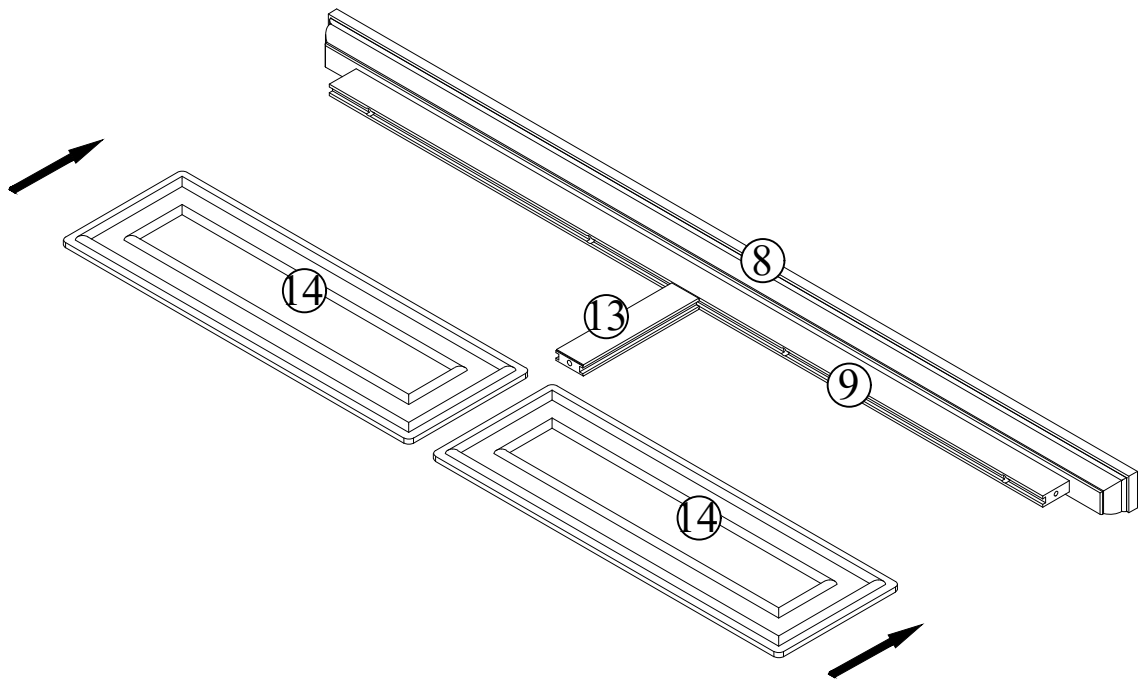


**STEP 6:**

A  2PCS	D  4PCS
---	---



**STEP 7:**



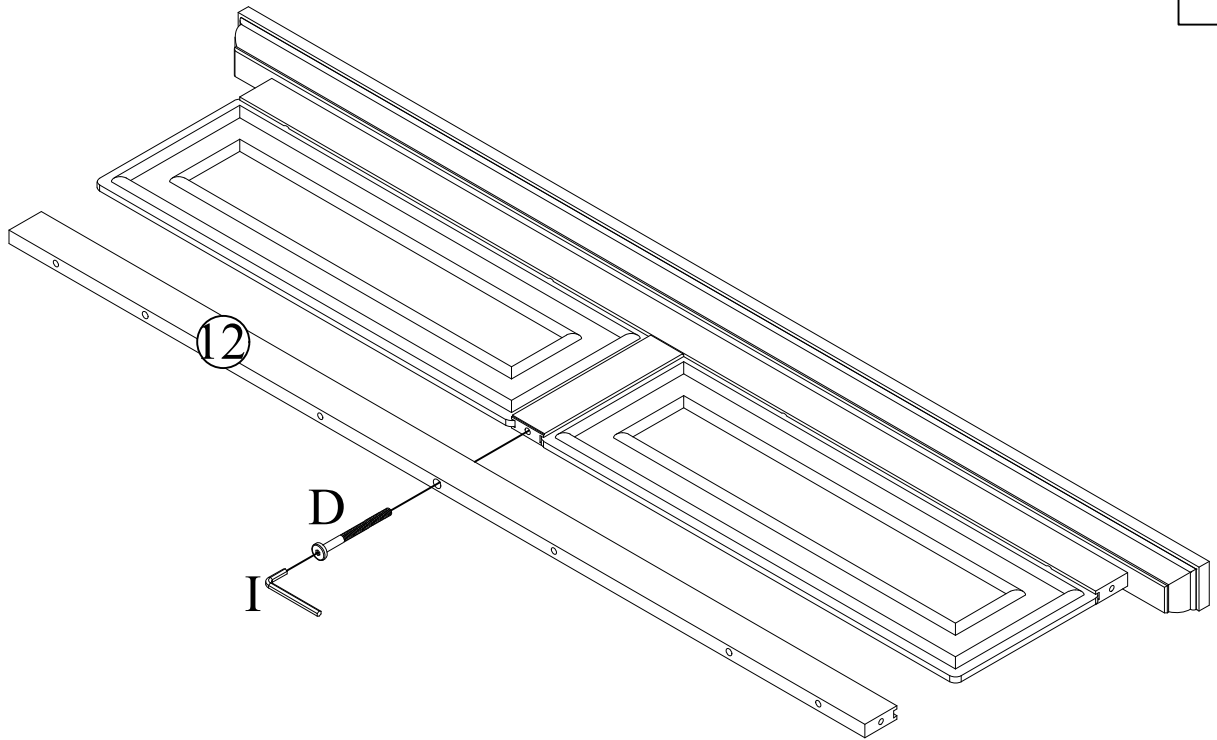


**STEP 8:**

D



1PC



**STEP 9:**

G

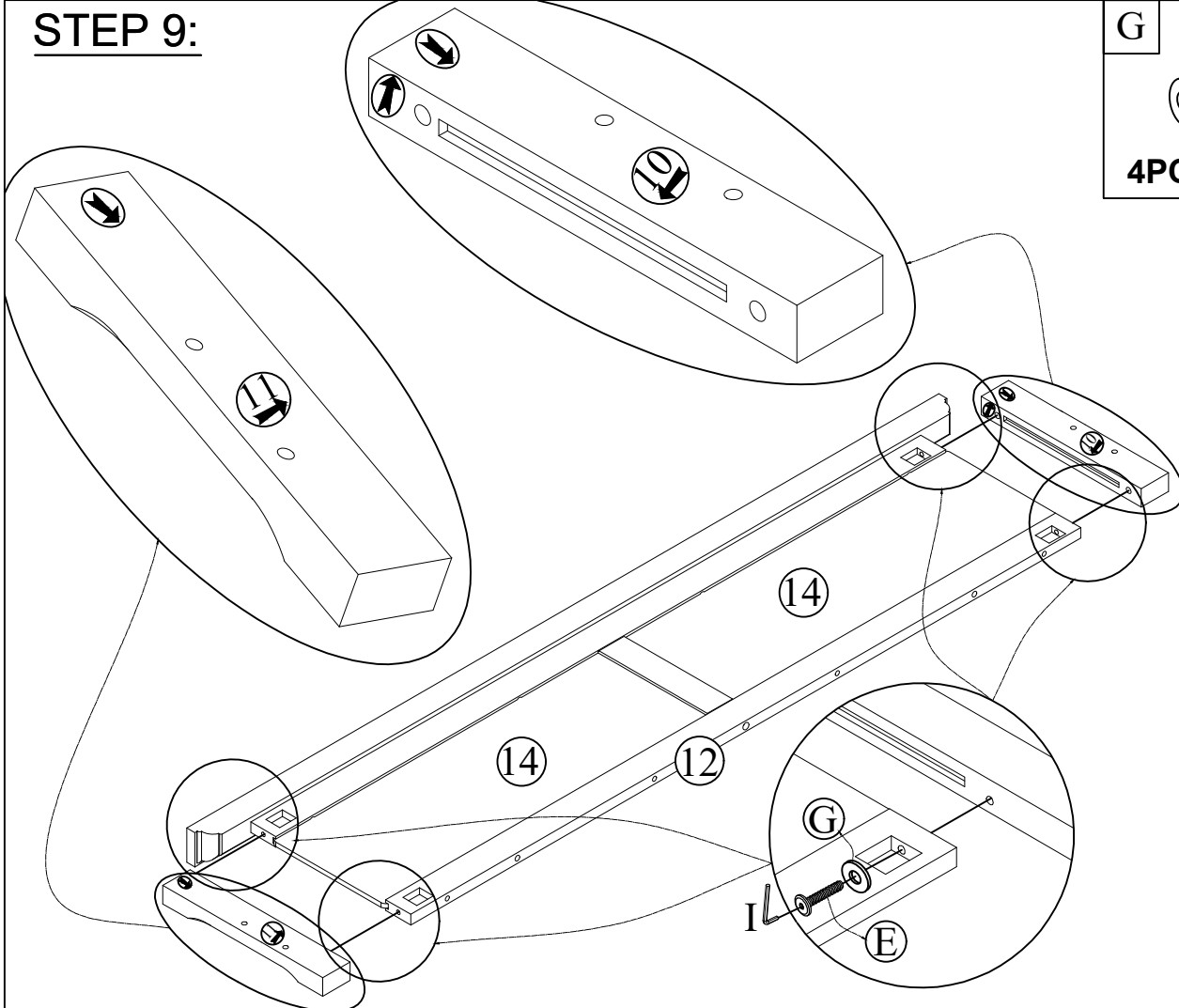


4PCS



E

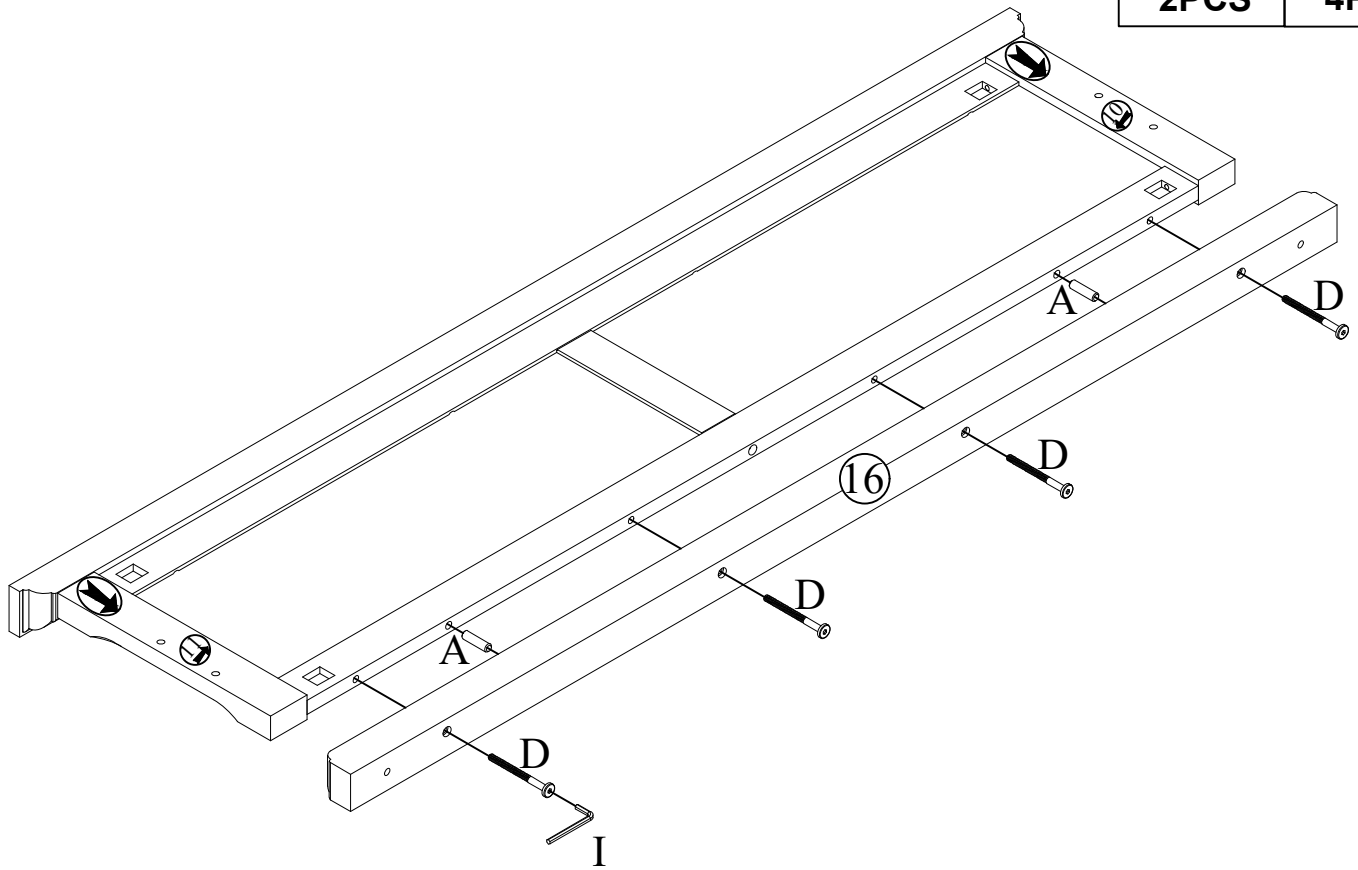


4PCS




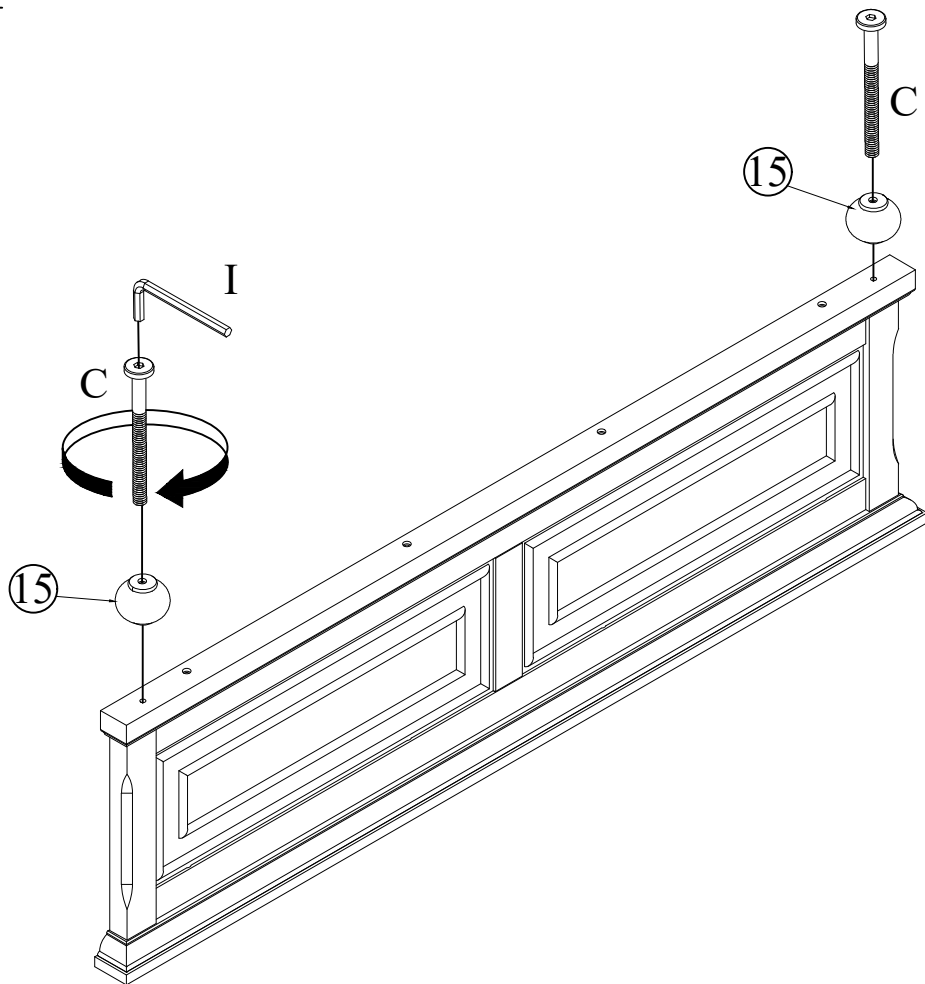
**STEP 10:**

A	D
	
<b>2PCS</b>	<b>4PCS</b>



**STEP 11:**

C

<b>2PCS</b>

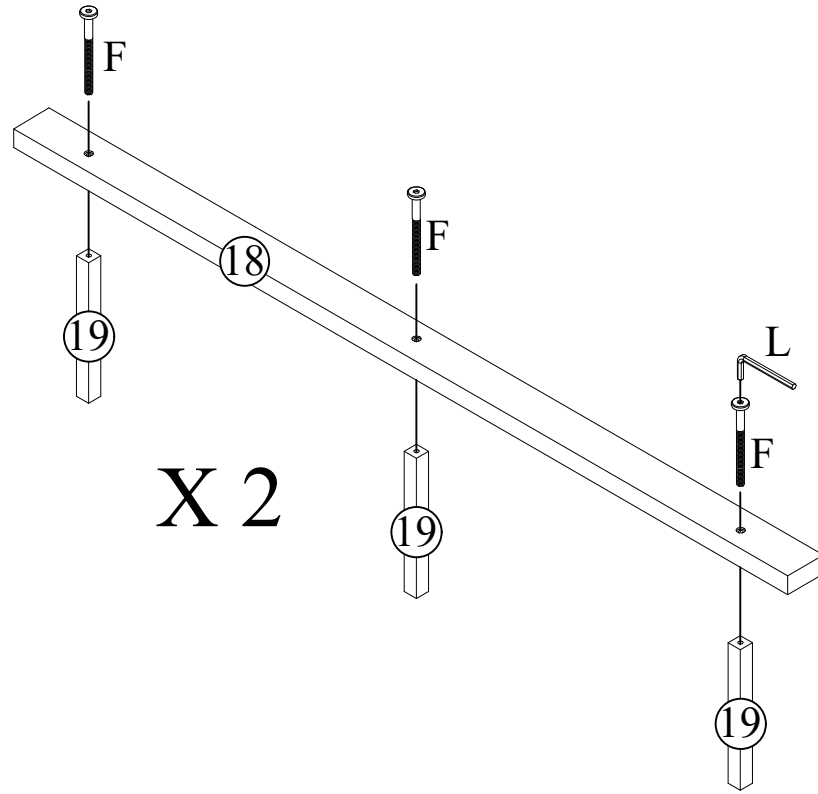


**STEP 12:**

**F**



**3PCS**



**X 2**

**STEP 13:**

**G**

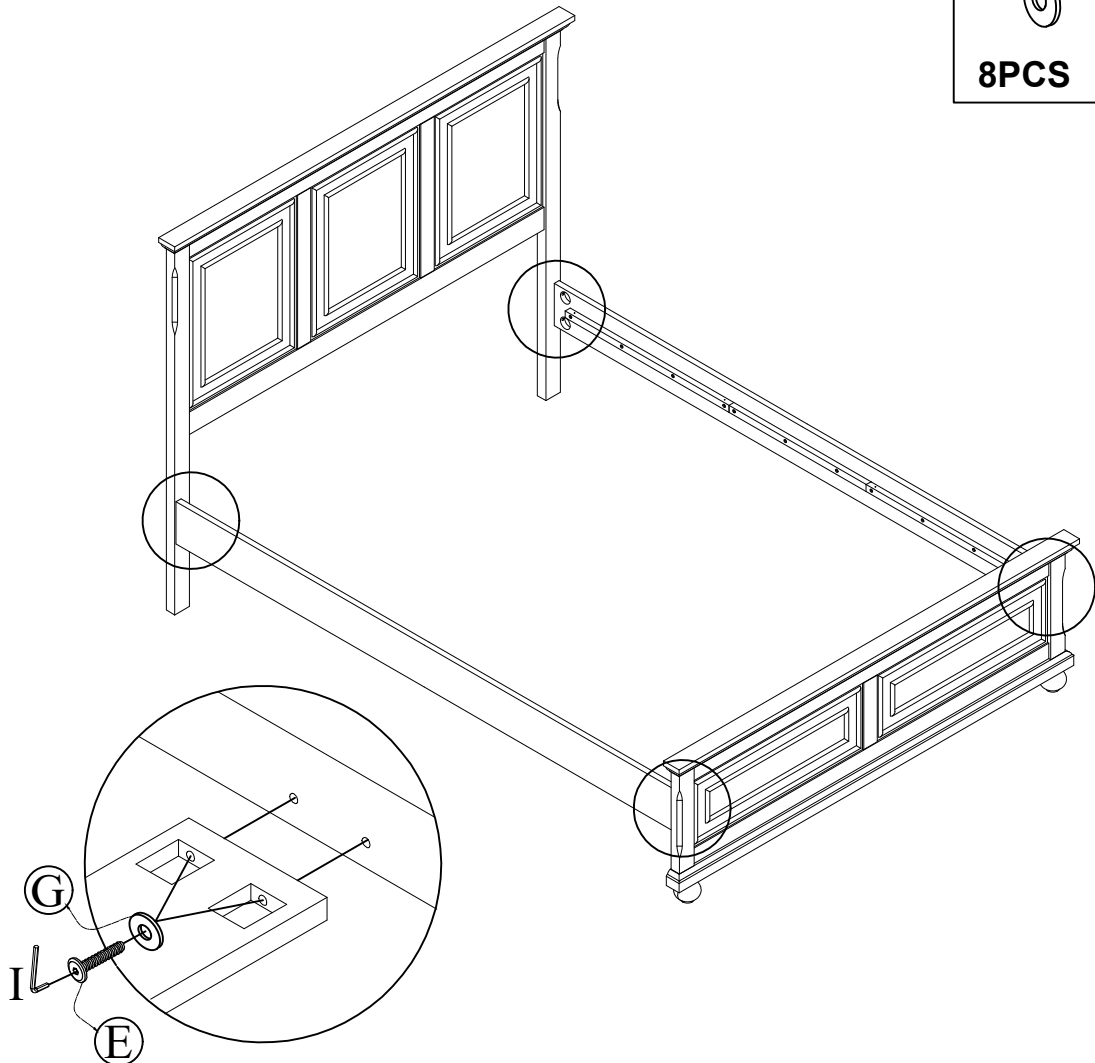


**8PCS**

**E**



**8PCS**



**STEP 14:**

**H**



**40PCS**

