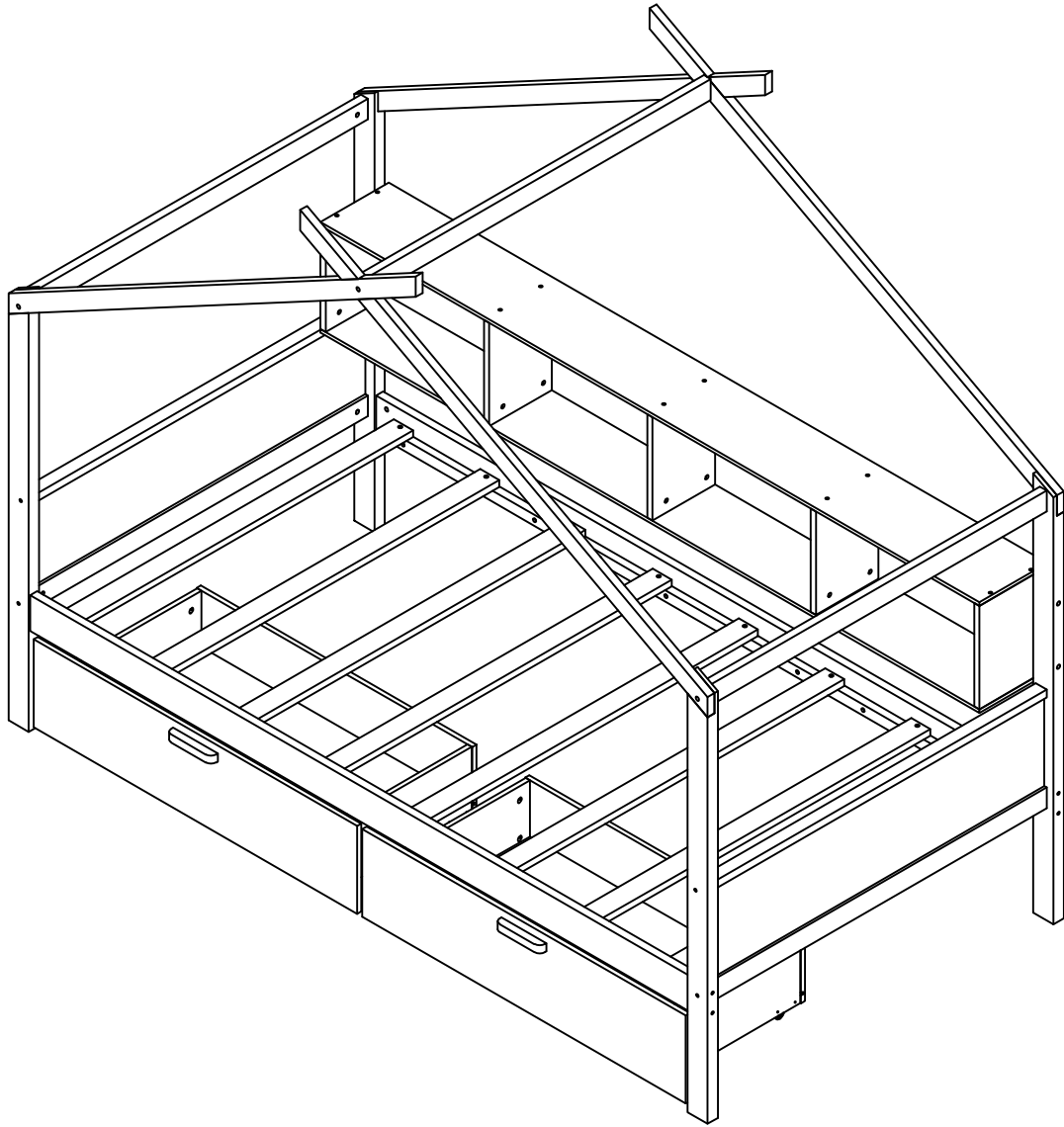


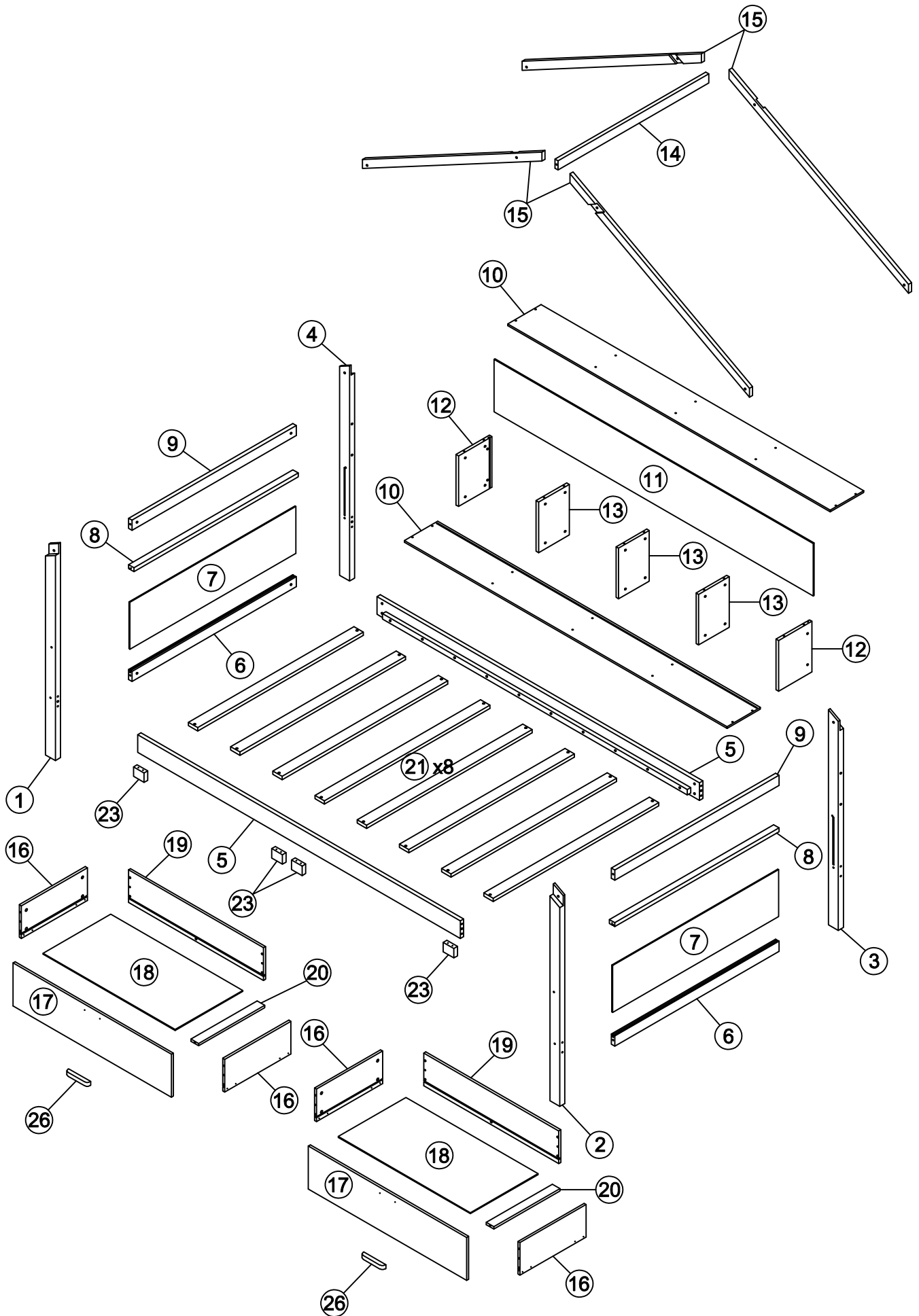
ASSEMBLY INSTRUCTIONS

TWIN BED WITH BOOKSHELF AND DRAWERS



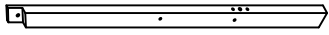
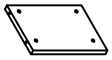
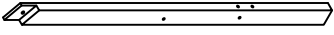
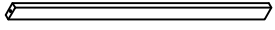
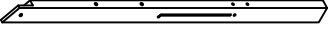
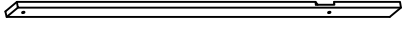

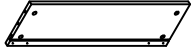

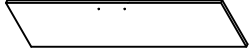
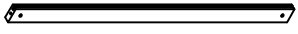

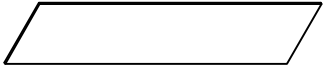

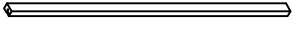

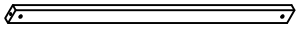
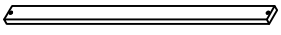
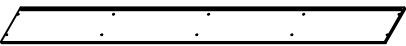

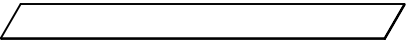


WF531033

ASSEMBLY INSTRUCTIONS








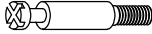



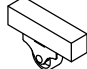




ASSEMBLY INSTRUCTIONS

WF531033 (hardware in this SKU)

1	Leg 	1pc	13	Center bookcase panels 	3pcs
2	Leg 	1pc	14	Headboard frames 	1pc
3	Leg 	1pc	15	Roof top 	4pcs
4	Leg 	1pc	16	Side drawers panel 	4pcs
5	Side rail 	2pcs	17	Front drawers panel 	2pcs
6	Headboard frames 	2pcs	18	Bottom drawers panel 	2pcs
7	Headboard frames 	2pcs	19	Back drawers panel 	2pcs
8	Headboard frames 	2pcs	20	Drawers support 	2pcs
9	Headboard frames 	2pcs	21	Slats 	8pcs
10	Top & bottom bookcase panels 	2pcs	23	Drawers stopper 	4pcs
11	Back bookcase panels 	1pc	26	Holder 	2pcs
12	Side bookcase panels 	2pcs			

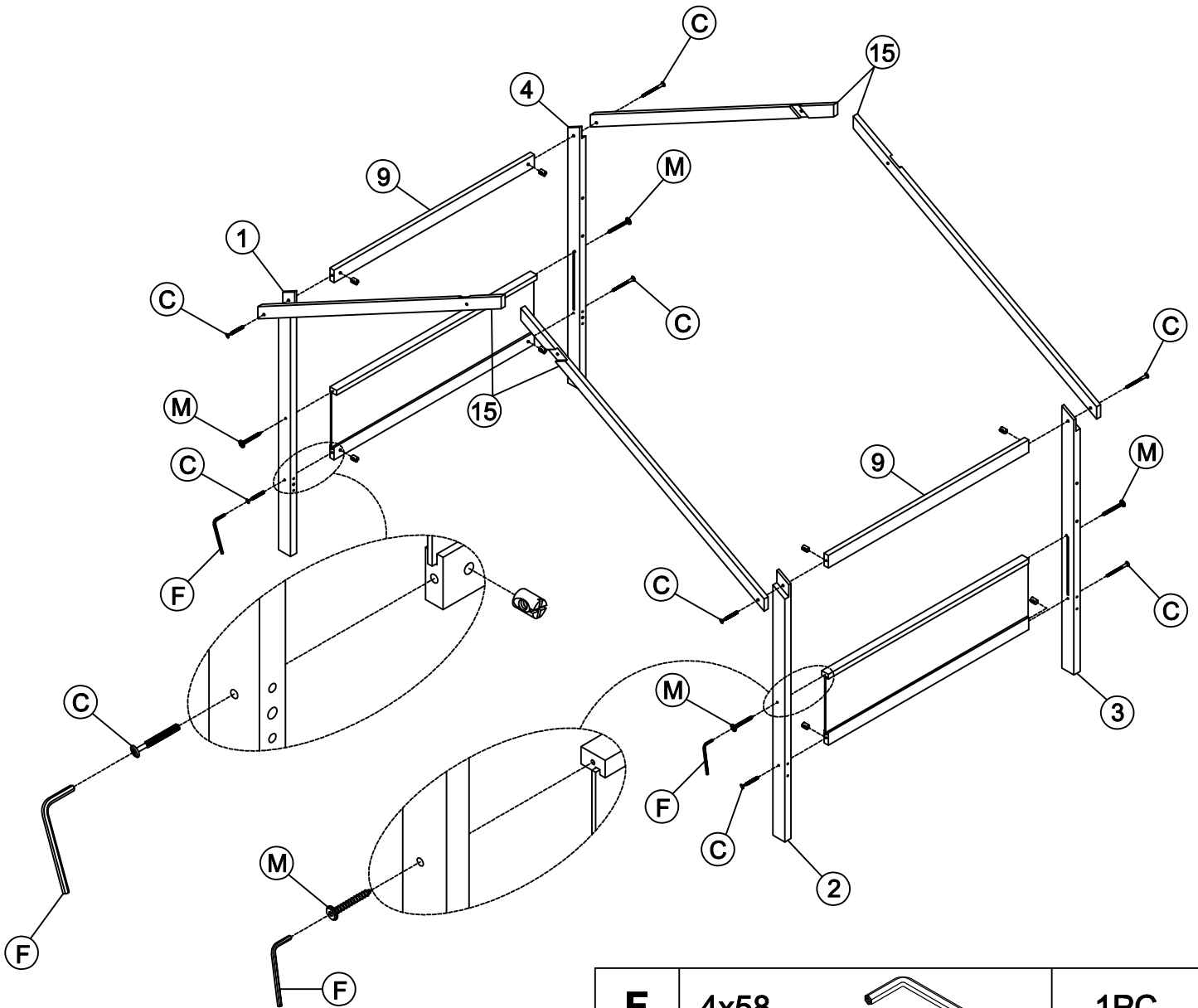
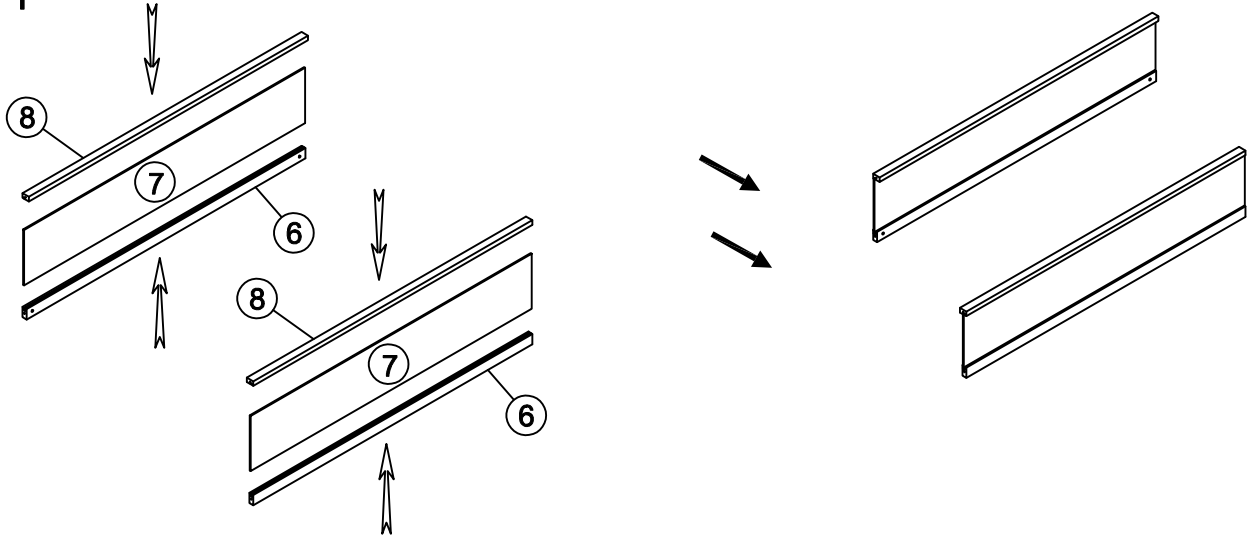
ASSEMBLY INSTRUCTIONS

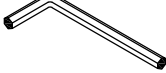


WF531033 (hardware in this SKU)

A	Ø4x30		44PCS	H	Ø10x40		4PCS
B	1/4x100		8PCS	I	Ø8x30		8PCS
C	1/4x75		8PCS	J	Ø6.5x35		20PCS
D	1/4x65		2PCS	K	Ø12x10		20PCS
E	1/4x50		20PCS	L			8PCS
F	4x58		1PC	M	6.5x60		4PCS
G	1/4x65		4PCS		Phillip head screw Not include		

ASSEMBLY INSTRUCTIONS

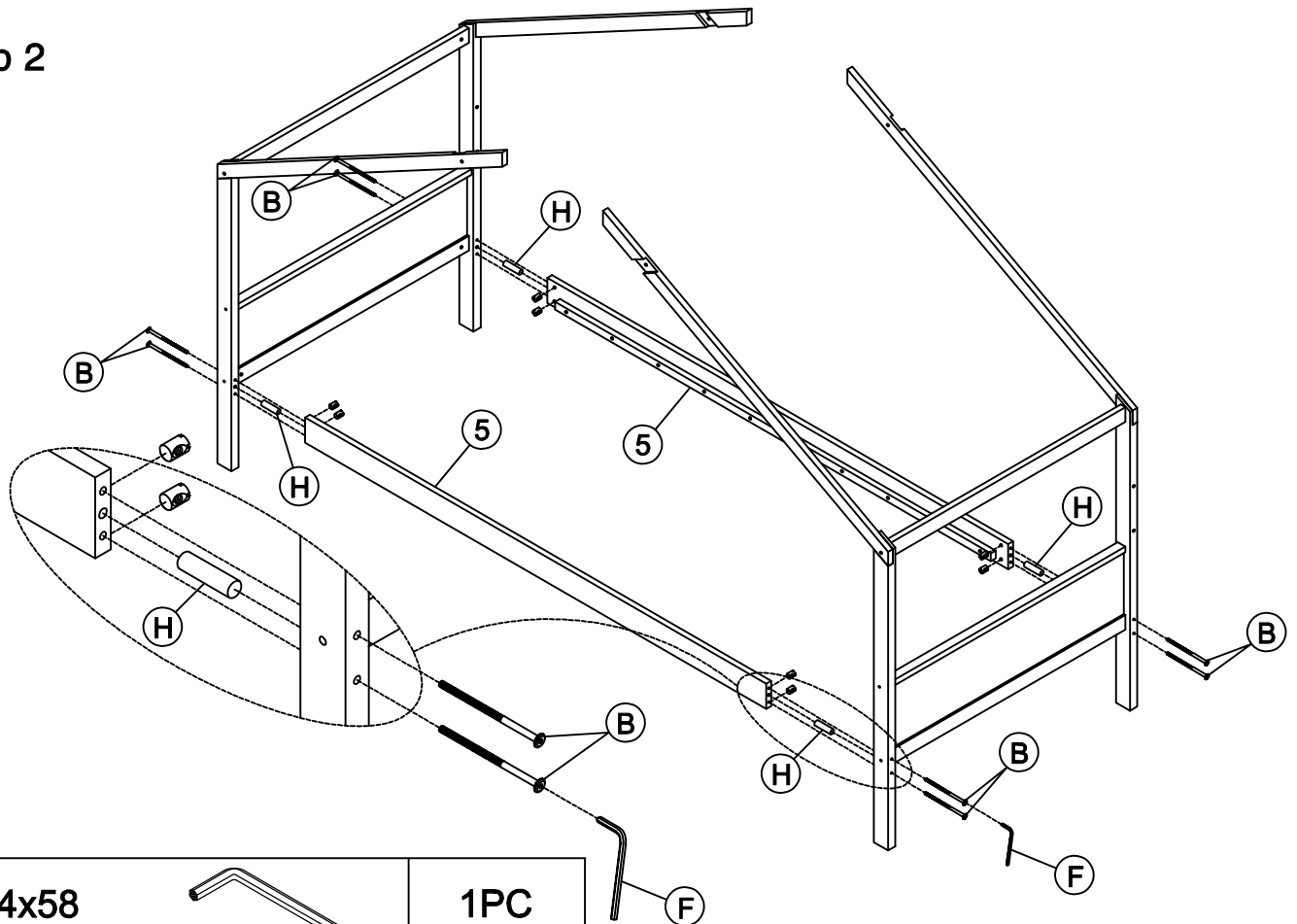
Step 1


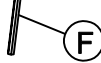




F	4x58		1PC
C	1/4x75		8PCS
M	6.5x60		4PCS

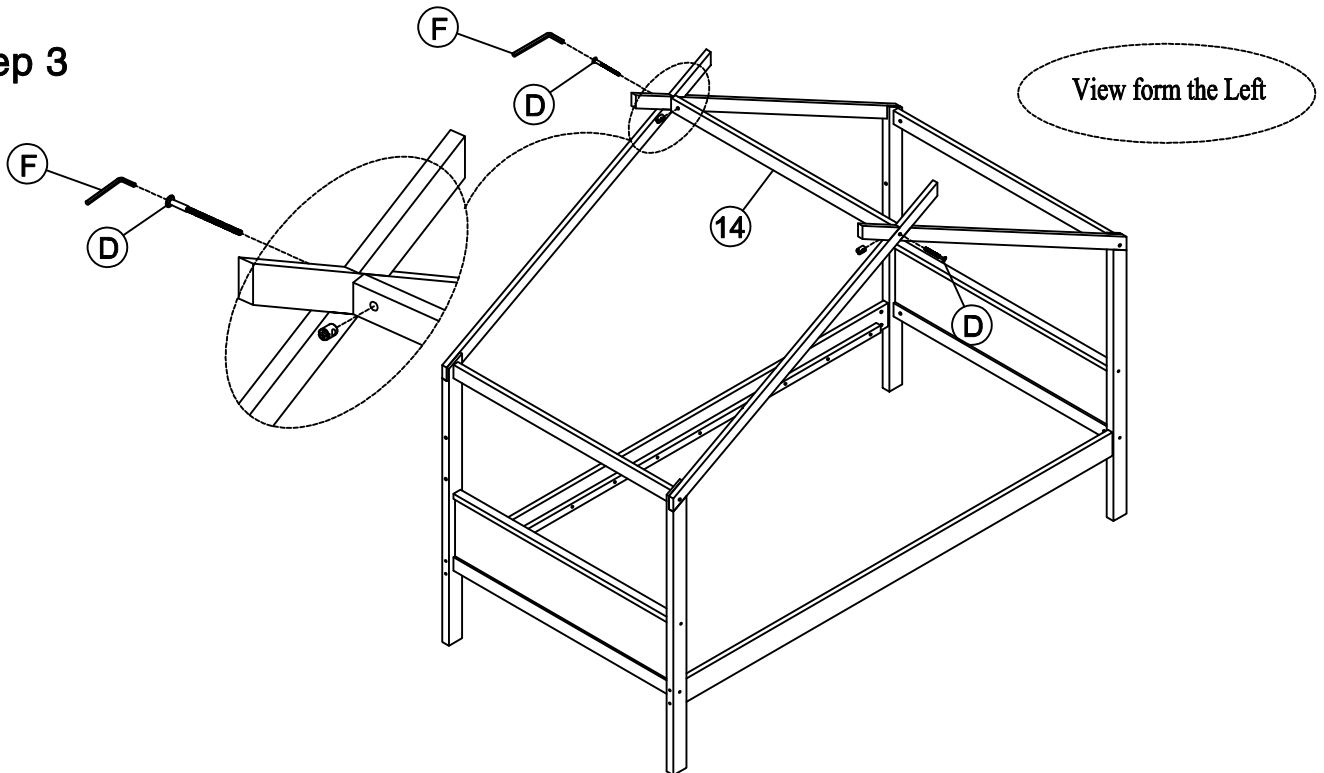
ASSEMBLY INSTRUCTIONS



Step 2



F	4x58		1PC				
H	Ø10x40		4PCS	B	1/4x100		8PCS

Step 3

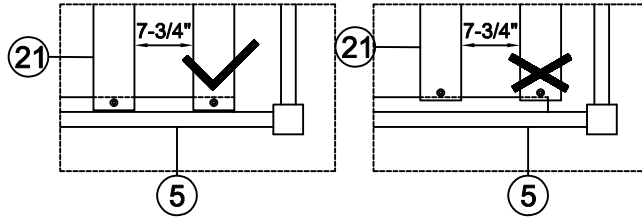


D	1/4x65		2PCS	F	4x58		1PC
----------	--------	---	------	----------	------	---	-----

ASSEMBLY INSTRUCTIONS

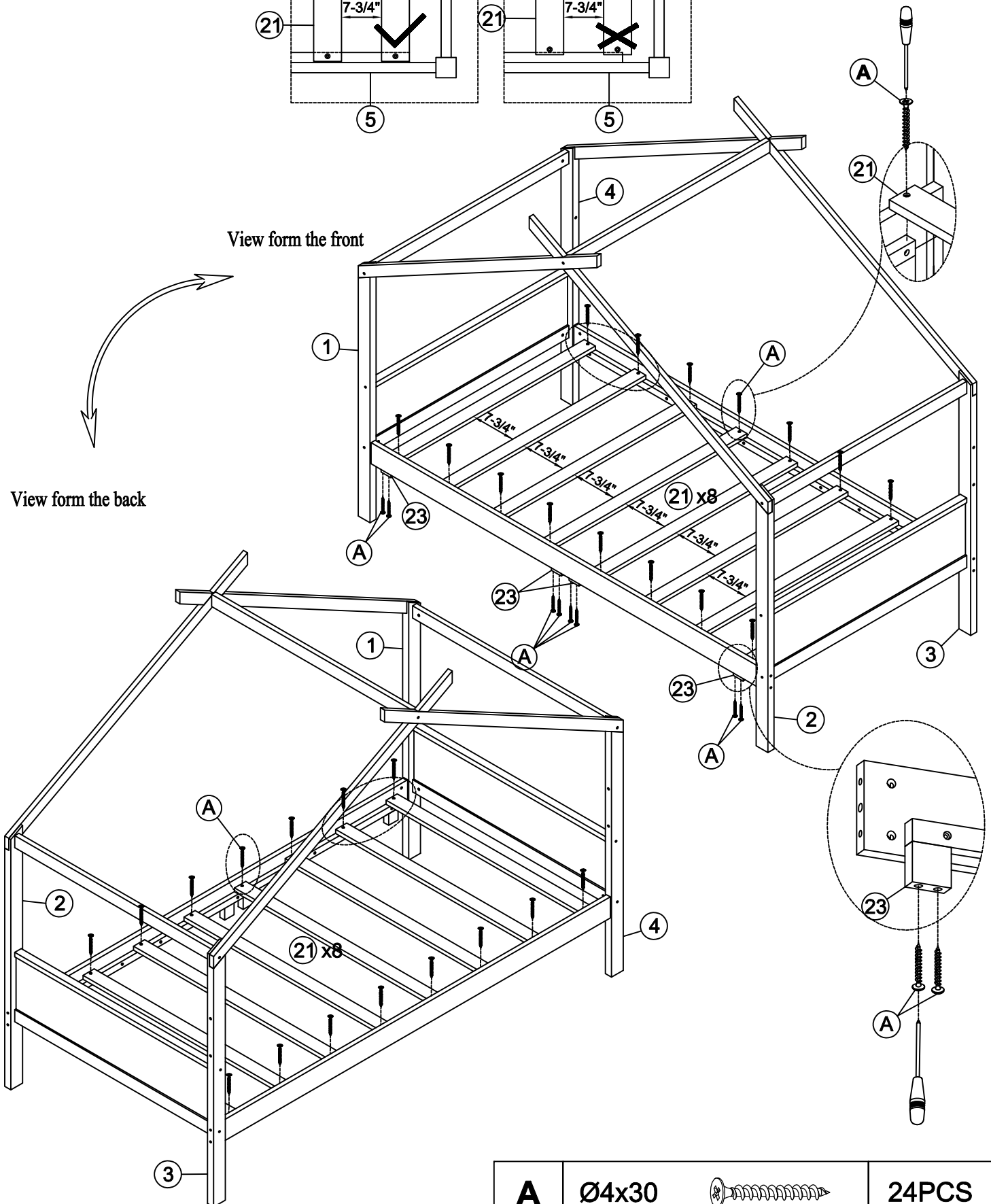
Step 3

First attach 2pcs part 21 to the front and end of the frame between headboard. Then attach the remaining part 21 equidistantly between headboard



View from the front

View from the back



A

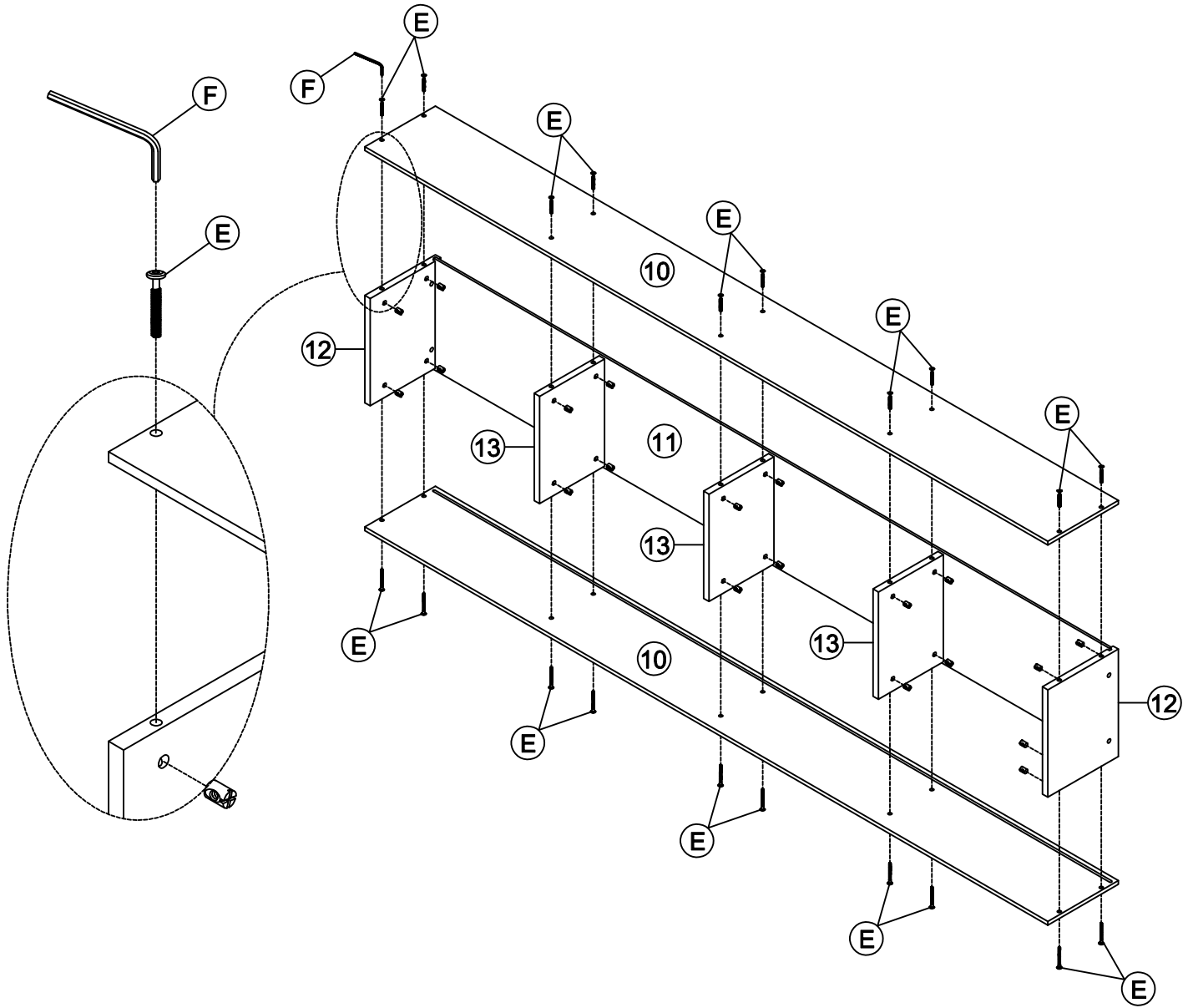
Ø4x30



24PCS

ASSEMBLY INSTRUCTIONS

Step 4



E 1/4x50



20PCS

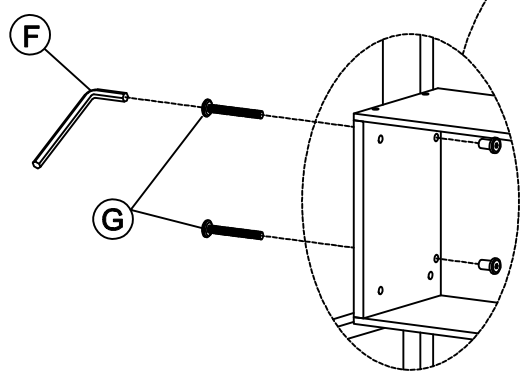
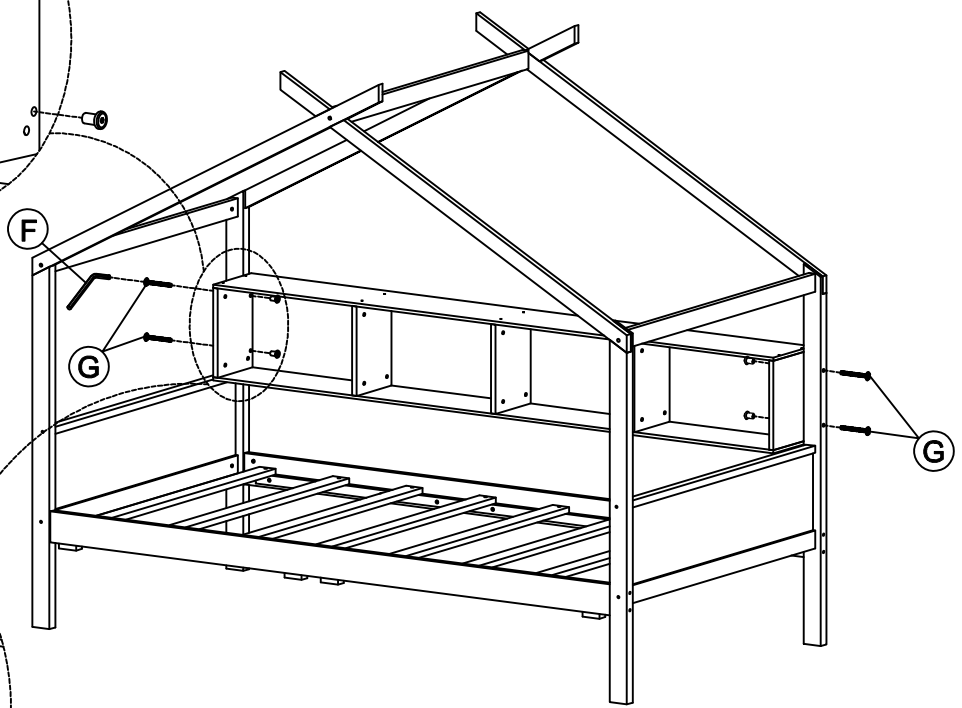
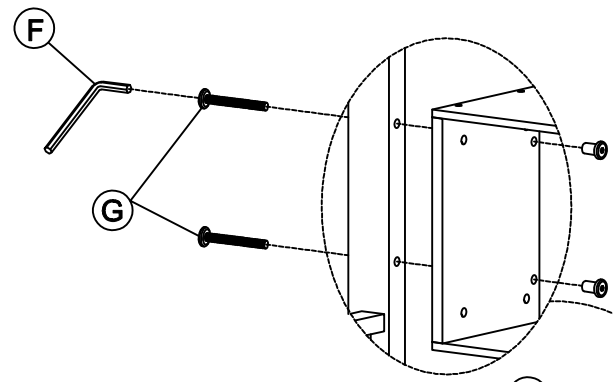
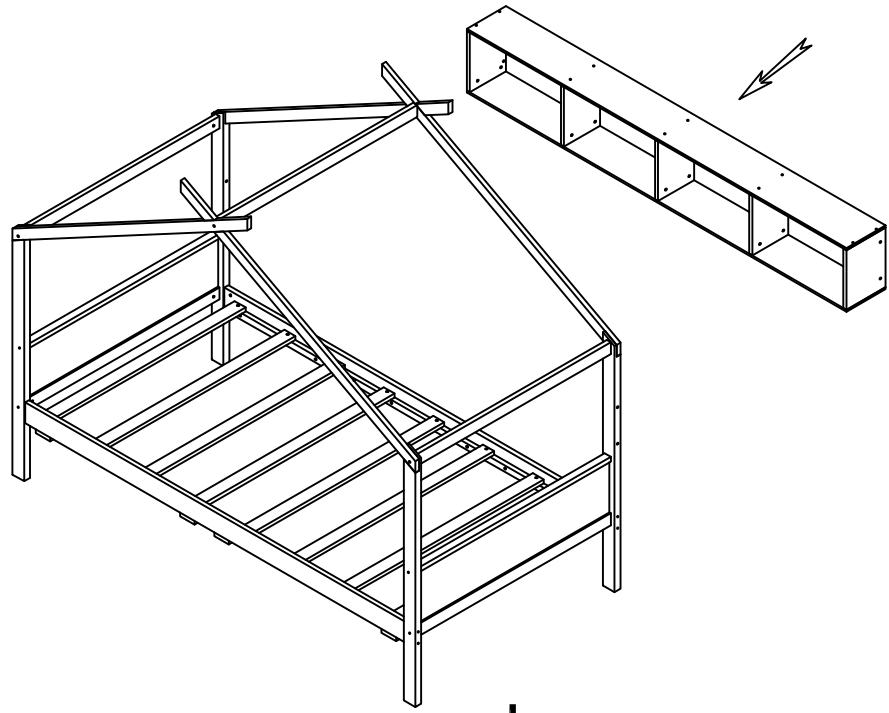
F 4x58





1PC

ASSEMBLY INSTRUCTIONS

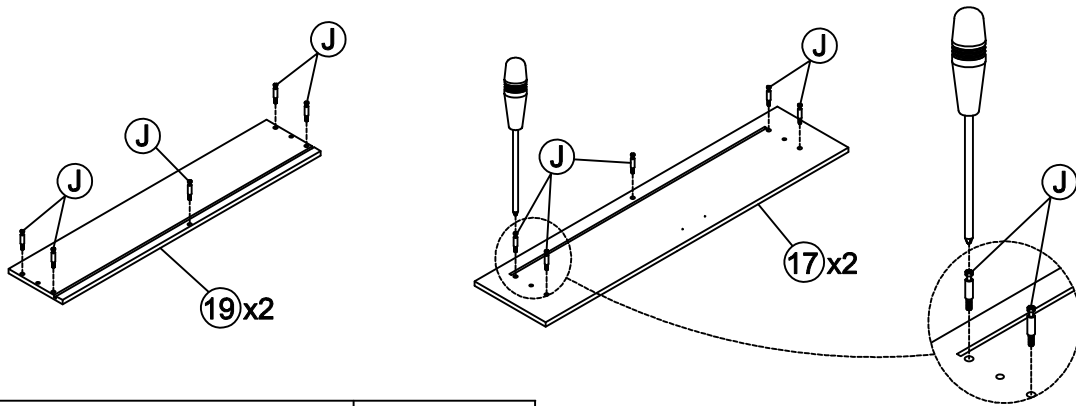
Step 5



G	1/4x65		4PCS	F	4x58		1PC
----------	--------	---	------	----------	------	---	-----

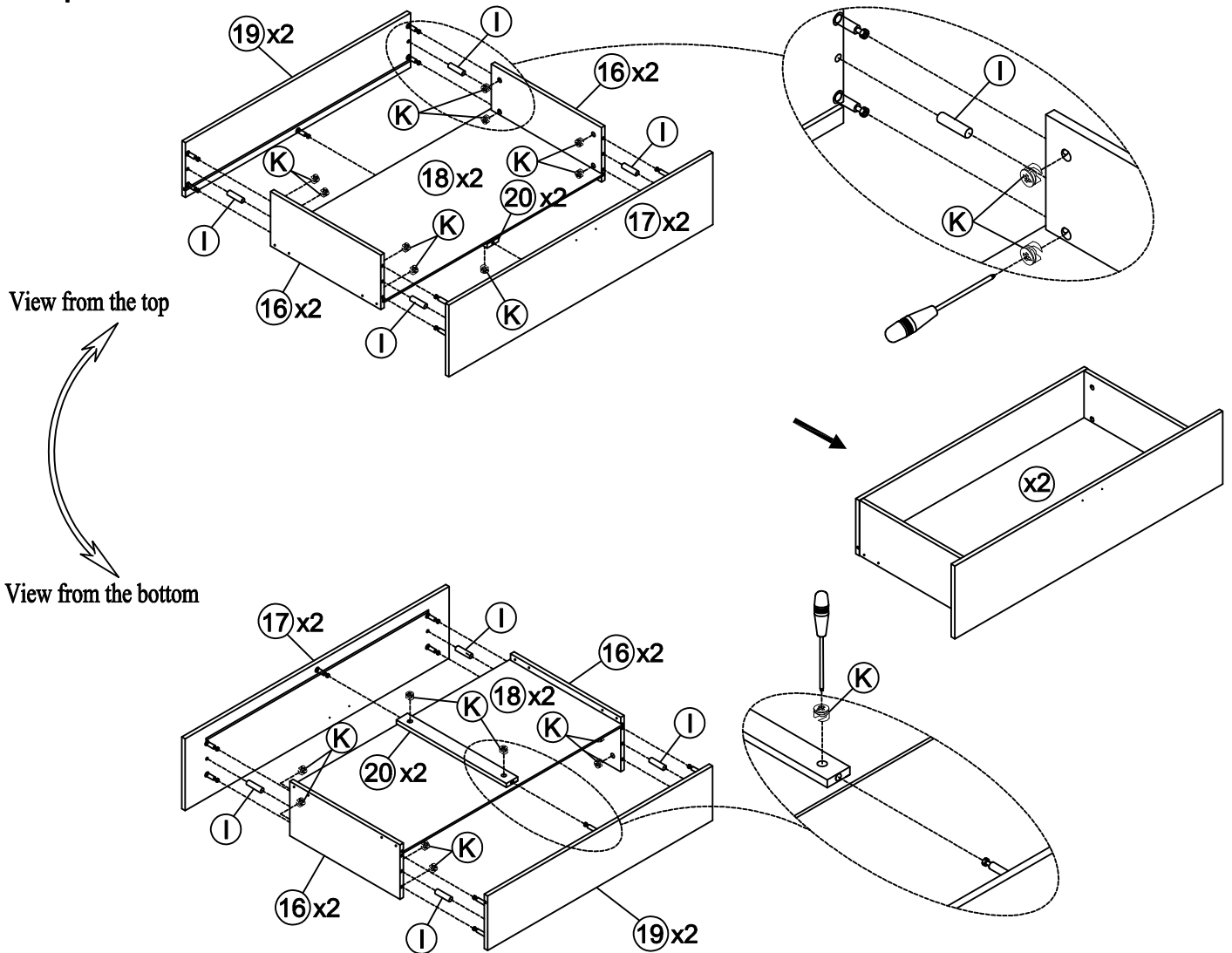
ASSEMBLY INSTRUCTIONS



Step 6



J	Ø6.5x35		20PCS
----------	---------	---	-------

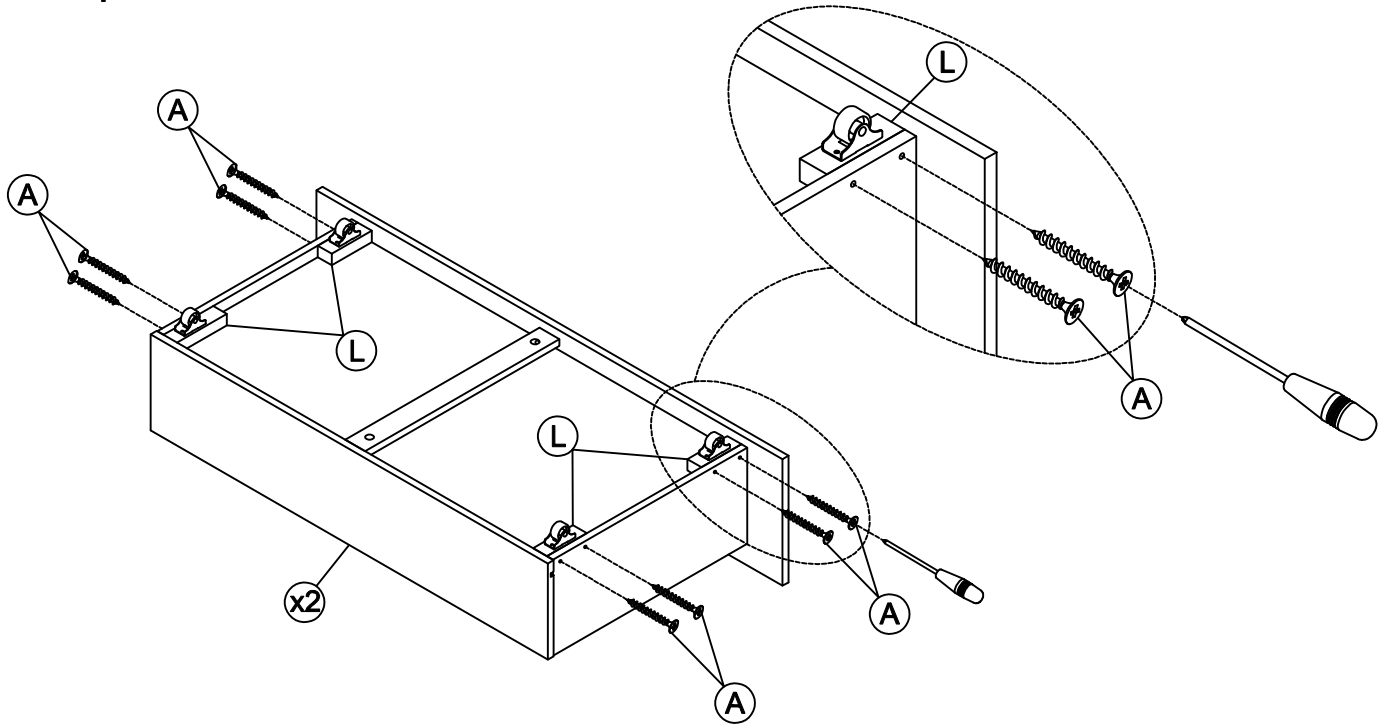
Step 7


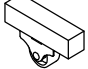


I	Ø8x30		8PCS	K	Ø12x10		20PCS
----------	-------	---	------	----------	--------	---	-------

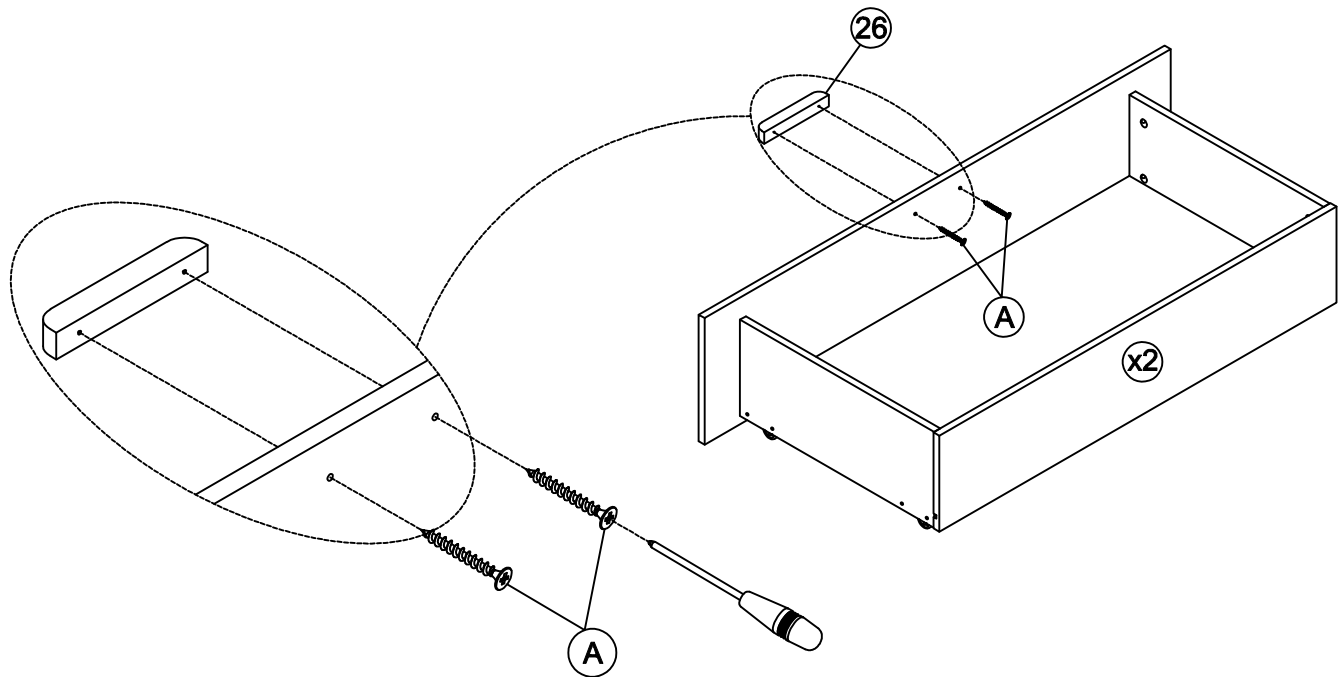
ASSEMBLY INSTRUCTIONS

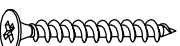
Step 8



A	Ø4x30		16PCS	L		8PCS
----------	-------	---	-------	----------	---	------

Step 9



A	Ø4x30		4PCS
----------	-------	---	------

ASSEMBLY INSTRUCTIONS

Step 10

