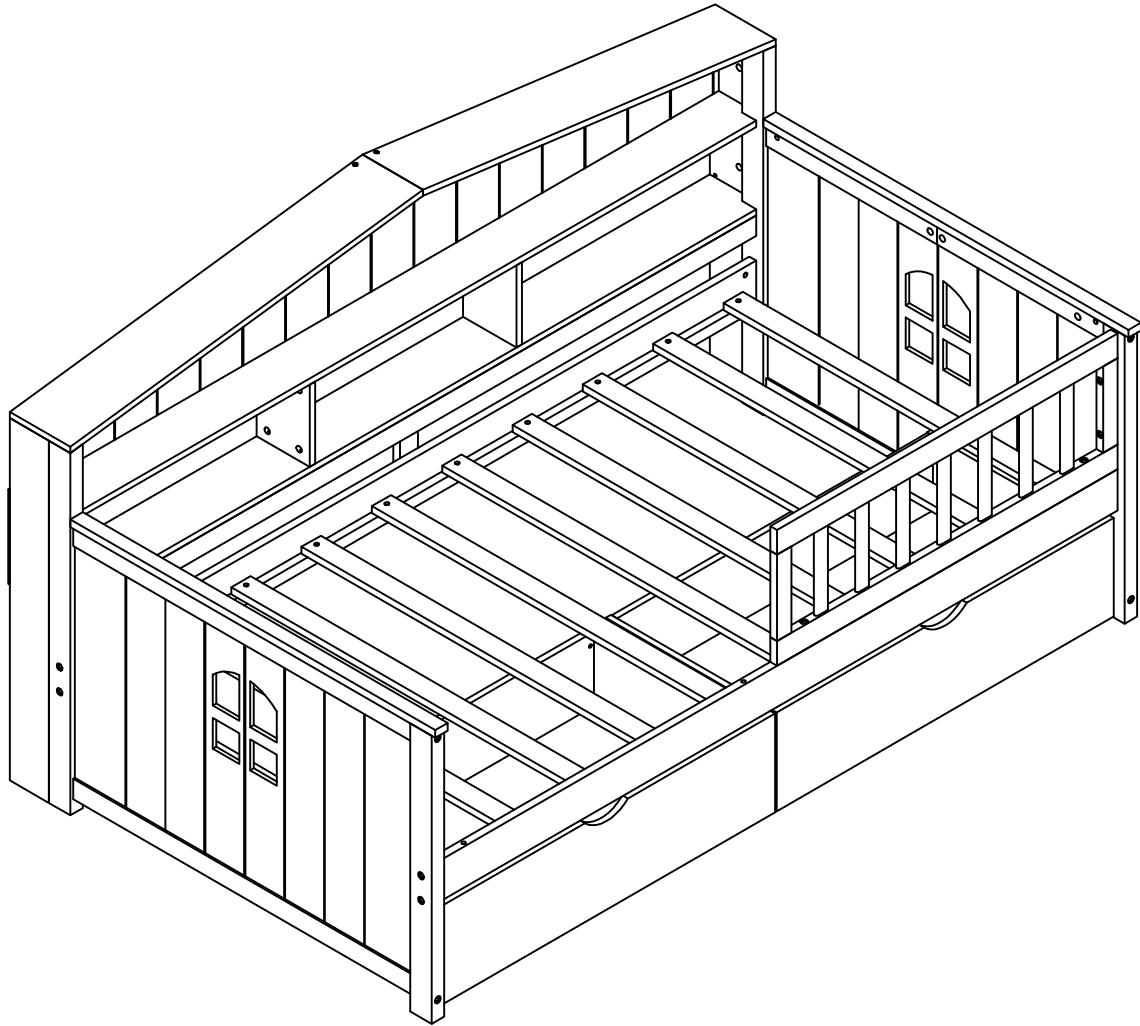
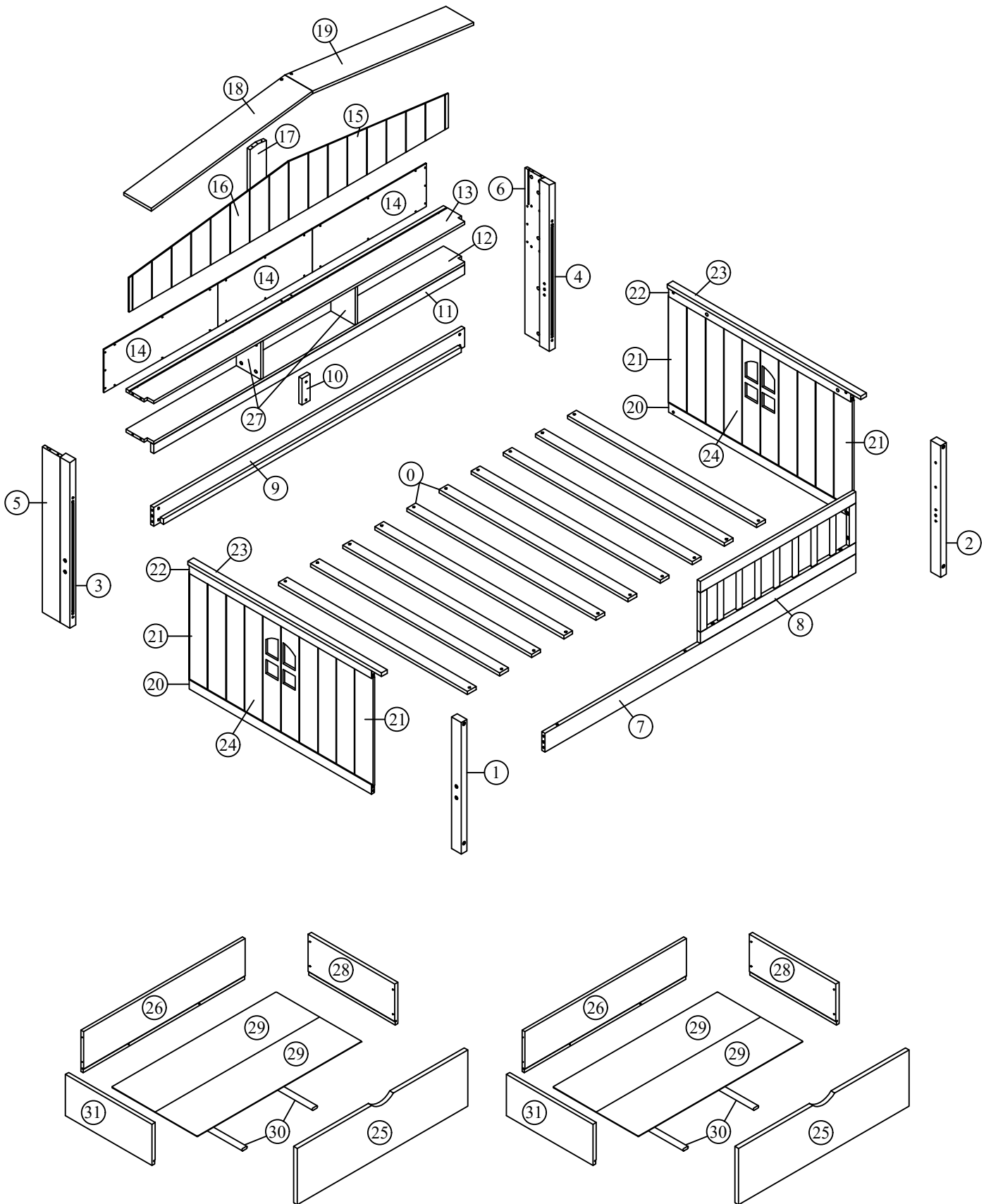


ASSEMBLY INSTRUCTION


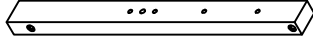
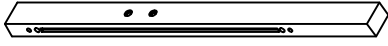

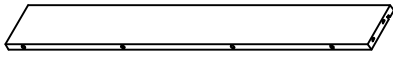
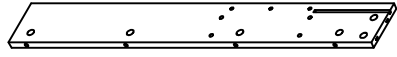
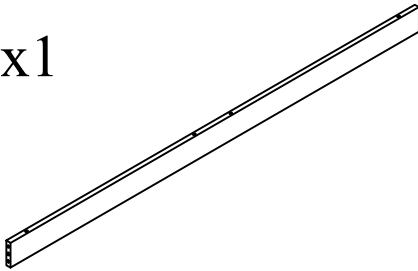
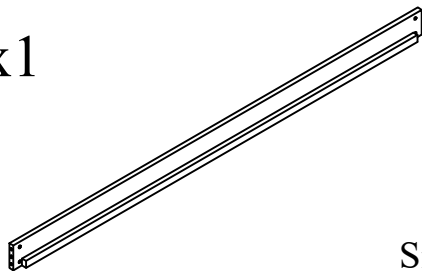
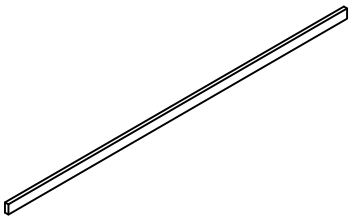
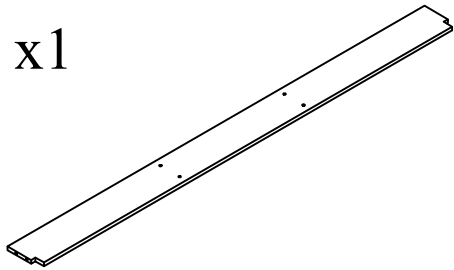
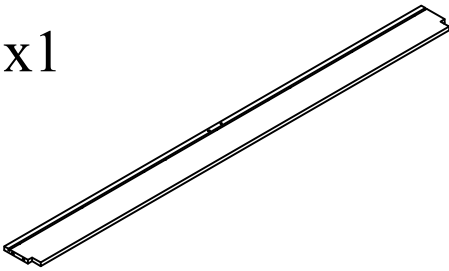

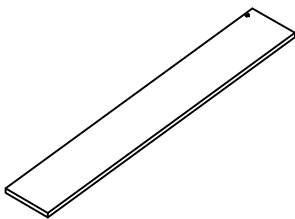
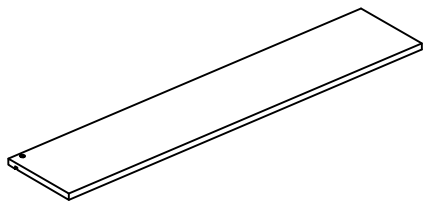
SKU CODE: WF531191/WF531192



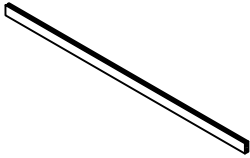
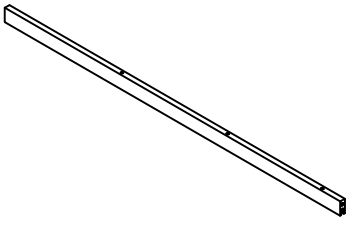
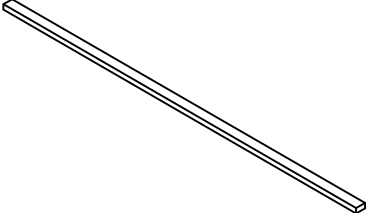
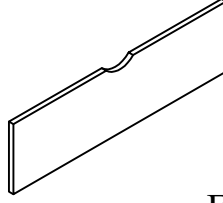
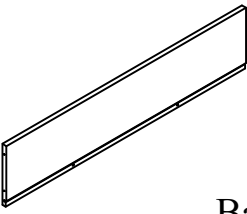
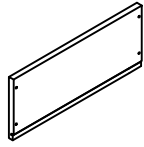
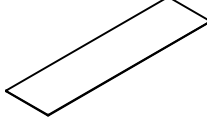
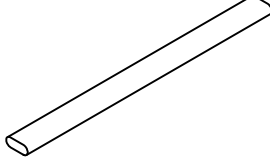
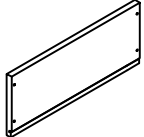
Detail view



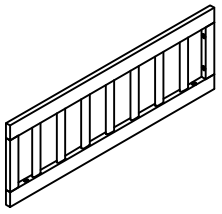
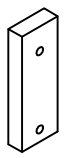
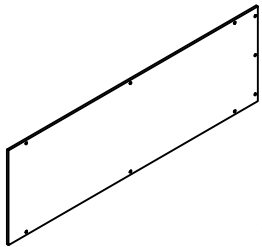
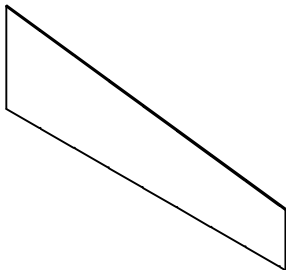
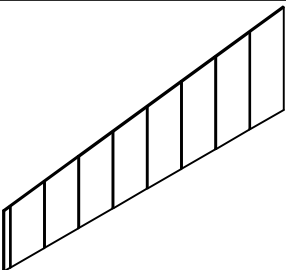
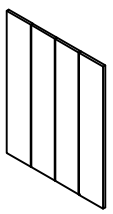
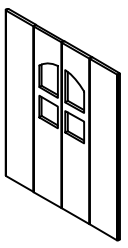
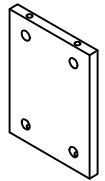
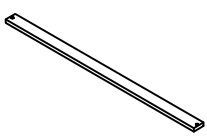
Part List (WF531191)

<p>① x1</p>  <p>Leg Bed</p>	<p>② x1</p>  <p>Leg Bed</p>
<p>③ x1</p>  <p>Leg Bed</p>	<p>④ x1</p>  <p>Leg Bed</p>
<p>⑤ x1</p>  <p>Leg Shelf Bed</p>	<p>⑥ x1</p>  <p>Leg Shelf Bed</p>
<p>⑦ x1</p>  <p>Side Rail</p>	<p>⑨ x1</p>  <p>Side Rail</p>
<p>⑪ x1</p>  <p>Long Support Shelf</p>	<p>⑫ x1</p>  <p>Shelf</p>
<p>⑬ x1</p>  <p>Shelf</p>	<p>⑰ x1</p>  <p>Support Shelf</p>
<p>⑱ x1</p>  <p>Top Shelf</p>	<p>⑲ x1</p>  <p>Top Shelf</p>

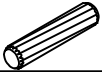

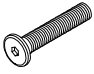



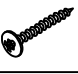





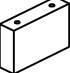


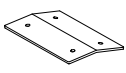


Part List (WF531191)

<p>②0 x2</p>  <p>Crossbar</p>	<p>②2 x2</p>  <p>Crossbar</p>
<p>②3 x2</p>  <p>Top Crossbar</p>	<p>②5 x2</p>  <p>Front Drawer</p>
<p>②6 x2</p>  <p>Back Drawer</p>	<p>②8 x2</p>  <p>Side Drawers</p>
<p>②9 x4</p>  <p>Bottom Drawers</p>	<p>③0 x4</p>  <p>Support Drawers</p>
<p>③1 x2</p>  <p>Side Drawers</p>	

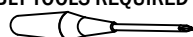
Part List (WF531192)

<p>8 x1</p>  <p>Frame Side Rail</p>	<p>10 x1</p>  <p>Support Shelf</p>
<p>14 x3</p>  <p>Back Shelf</p>	<p>15 x1</p>  <p>Back Shelf</p>
<p>16 x1</p>  <p>Back Shelf</p>	<p>21 x4</p>  <p>Panel Crossbar</p>
<p>24 x2</p>  <p>Panel Crossbar</p>	<p>27 x2</p>  <p>Side Shelf</p>
<p>0 x10</p>  <p>Slats</p>	

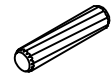

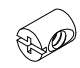

Hardware List (WF531191)

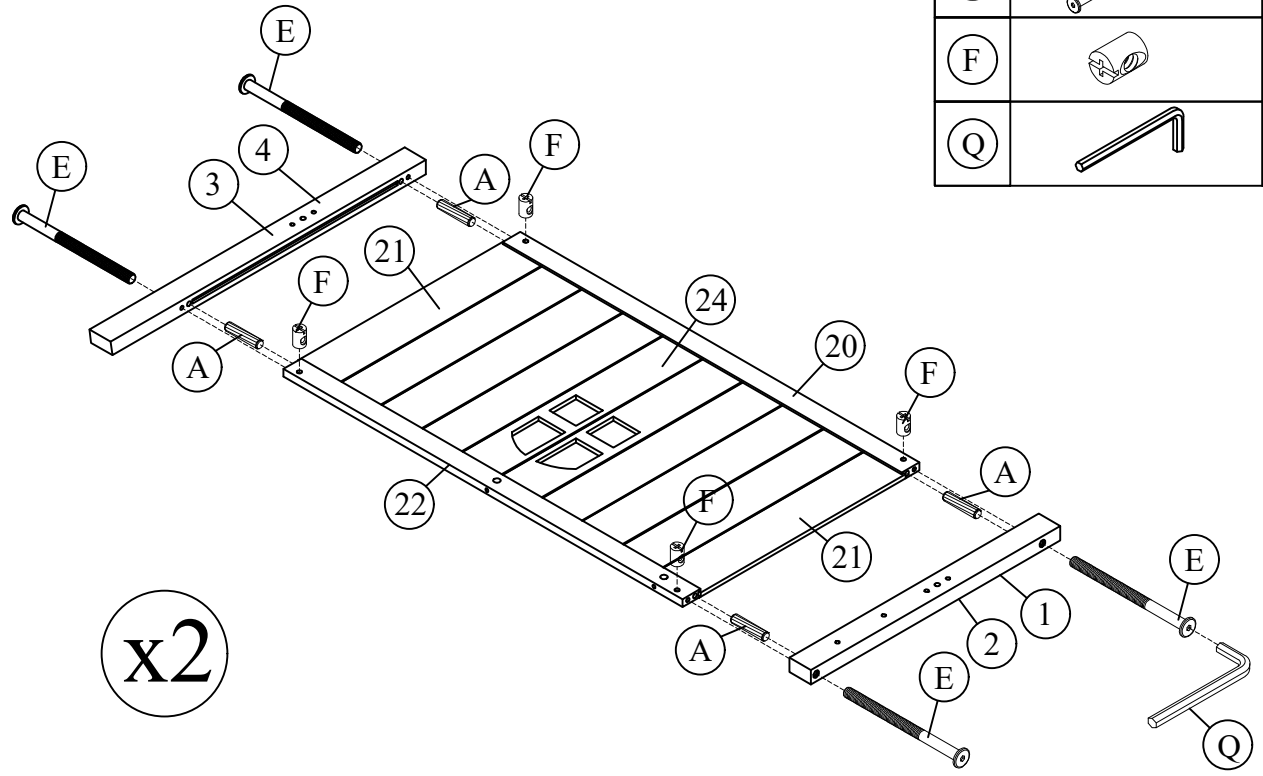
No.	OUTLOOK	DESC	QTY
(A)		Dowel Ø10*40mm	14
(B)		Bolts 1/4"*25mm	2
(C)		Bolts 1/4"*50mm	2
(D)		Bolts 1/4"*70mm	10
(E)		Bolts 1/4"*100mm	8
(F)		Cross dowel 1/4"*13mm	18
(G)		Round head screw #8*40mm	16
(H)		Screws #6*15mm	40
(J)		Screws #8*30mm	38
(K)		Connecting Bolt	42
(L)		Connector Housing	42
(M)		Base L long	4
(N)		Wood stops	3
(O)		Wheels	8
(Q)		Allen key 60*22*4mm	1
(R)		Base V	1
(T)		Screws #6*12mm	4
(V)		Bolts 1/4"*60mm	1

ASSEMBLY TOOLS REQUIRED (NOT INCLUDED)





STEP 1:

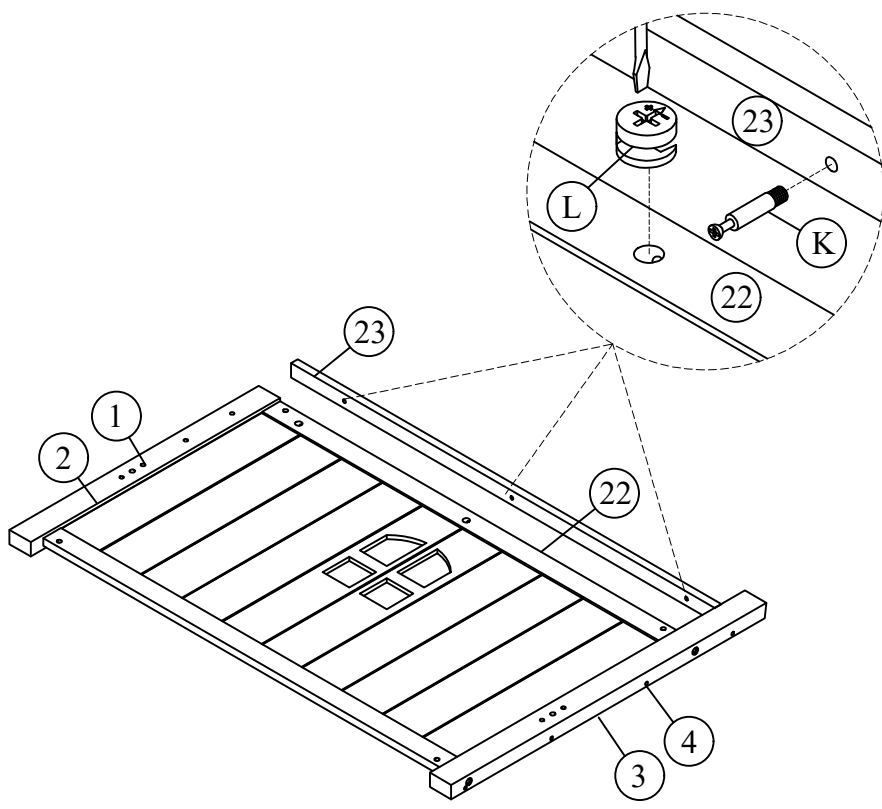
(A)		08
(E)		08
(F)		08
(Q)		01



x2



STEP 2:

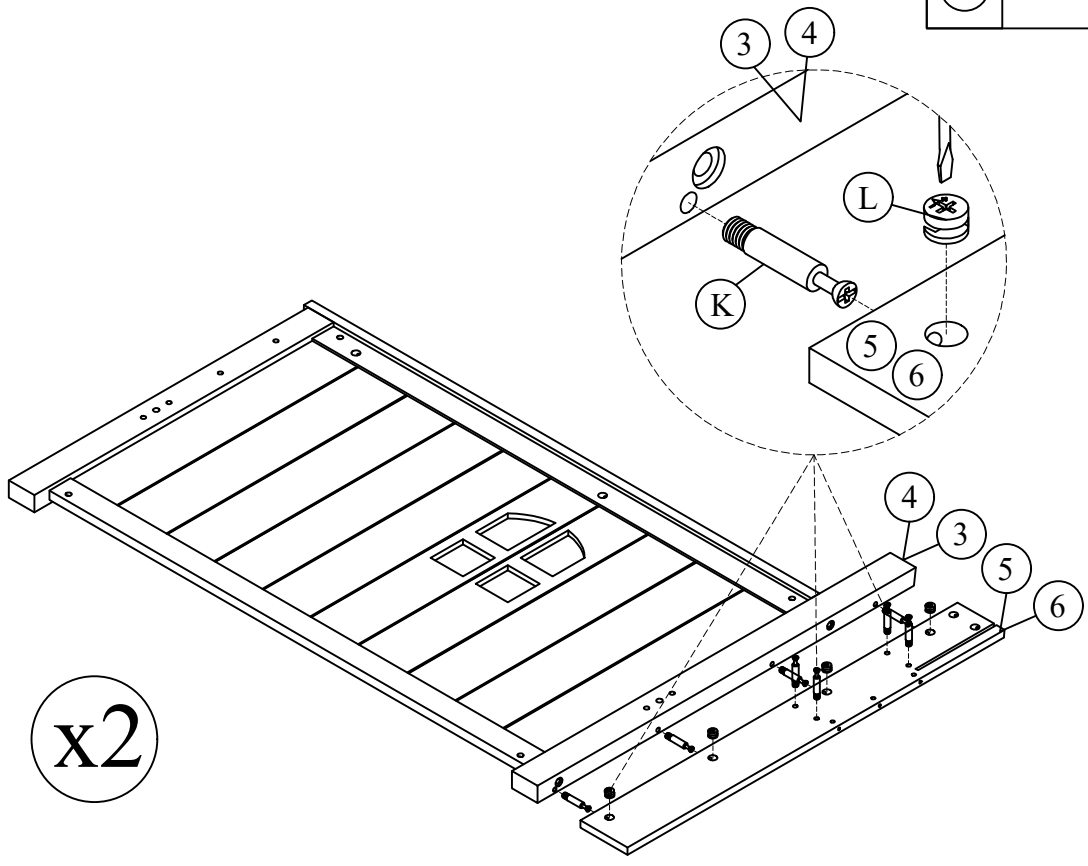
(K)		06
(L)		06





x2

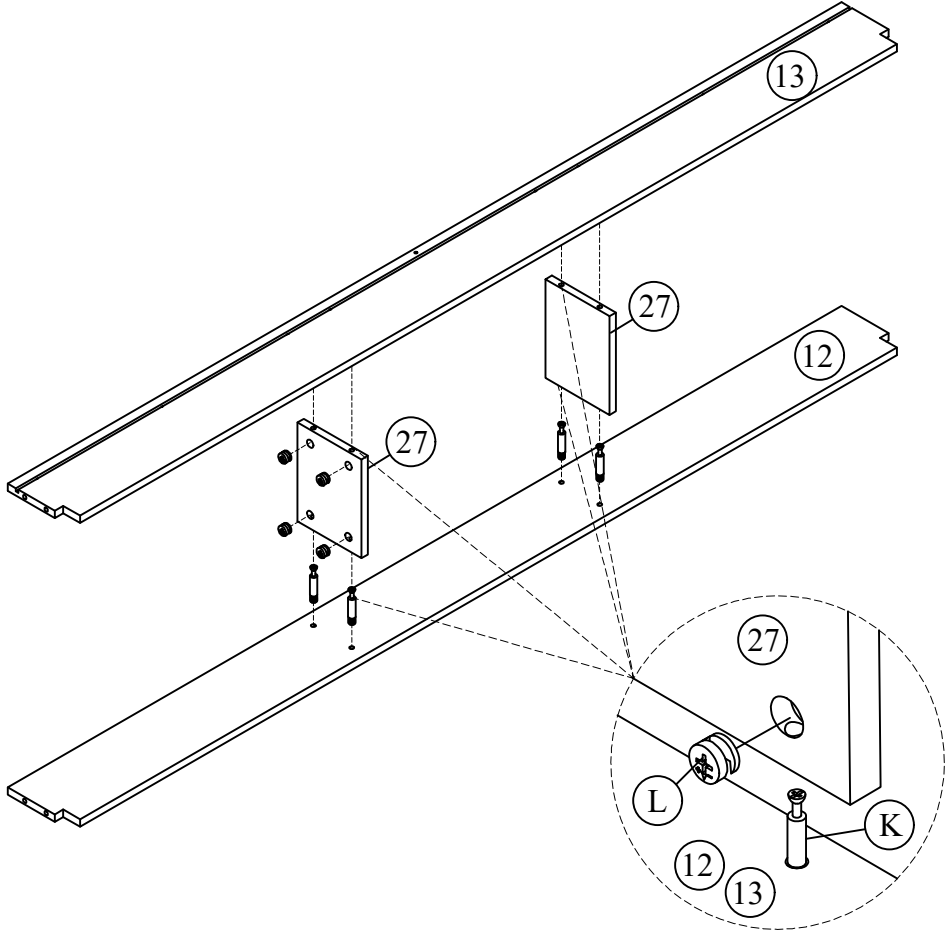
STEP 3:

(K)		16
(L)		08

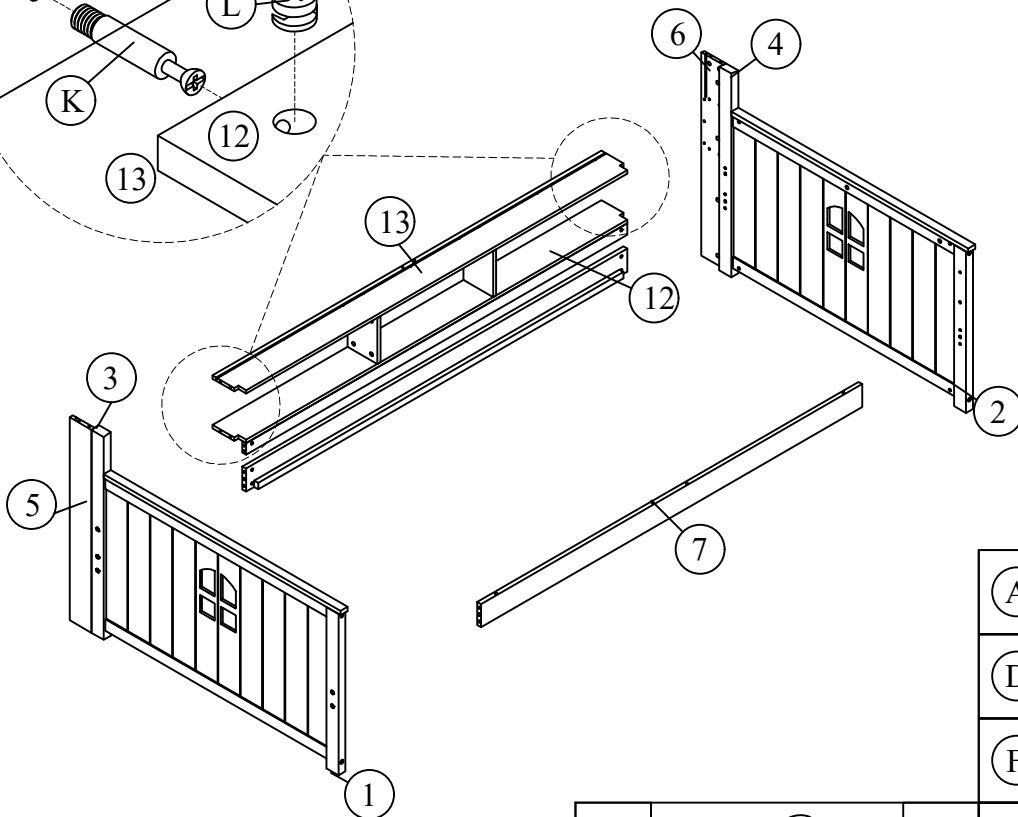
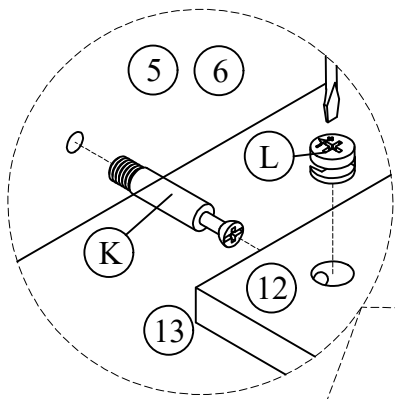
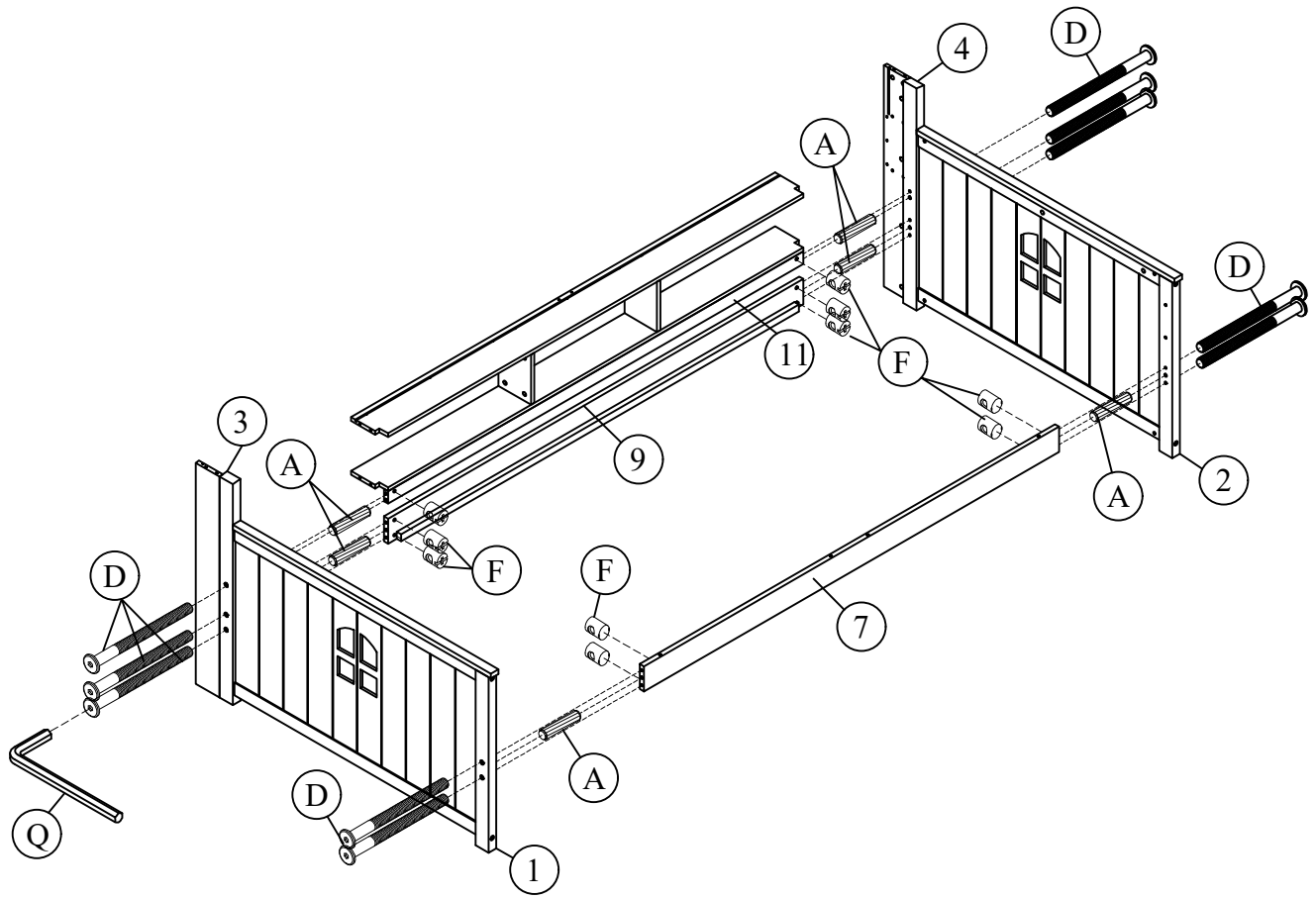







STEP 4:

(K)		08
(L)		08

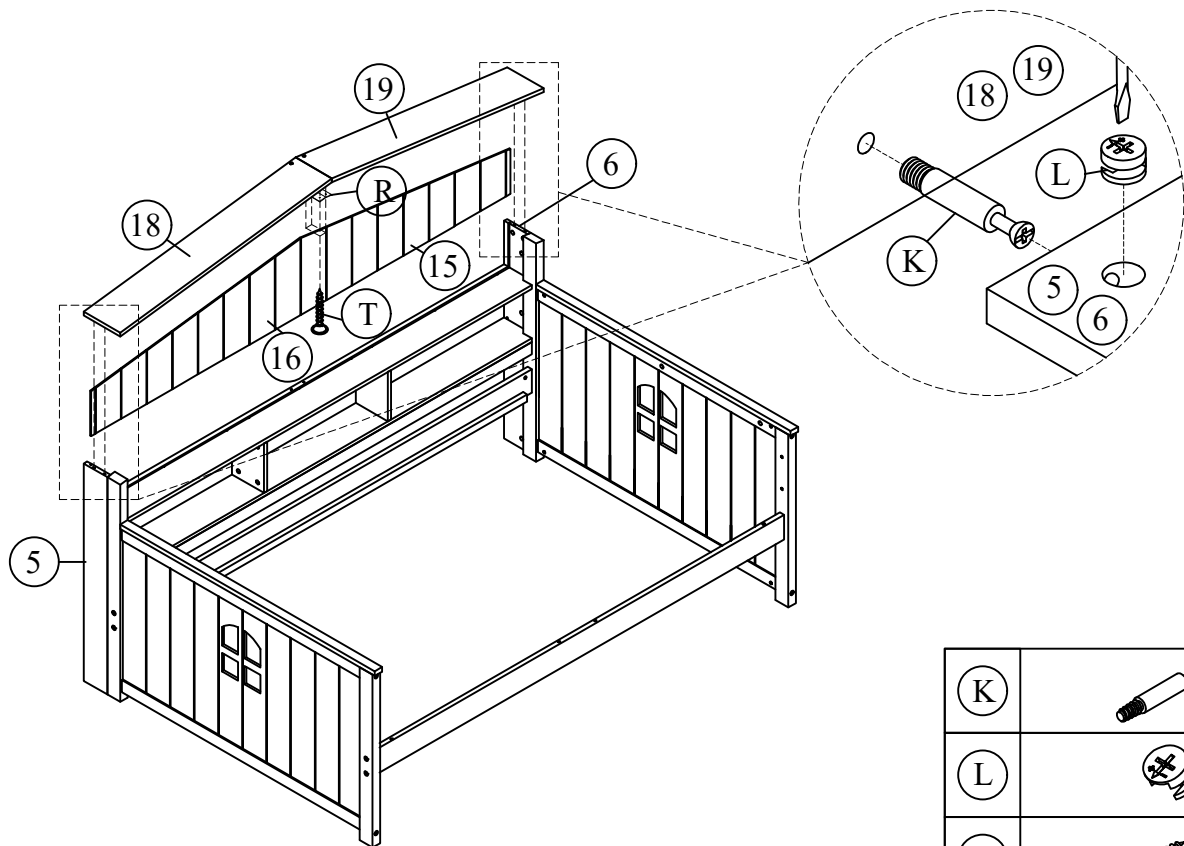


STEP 5:



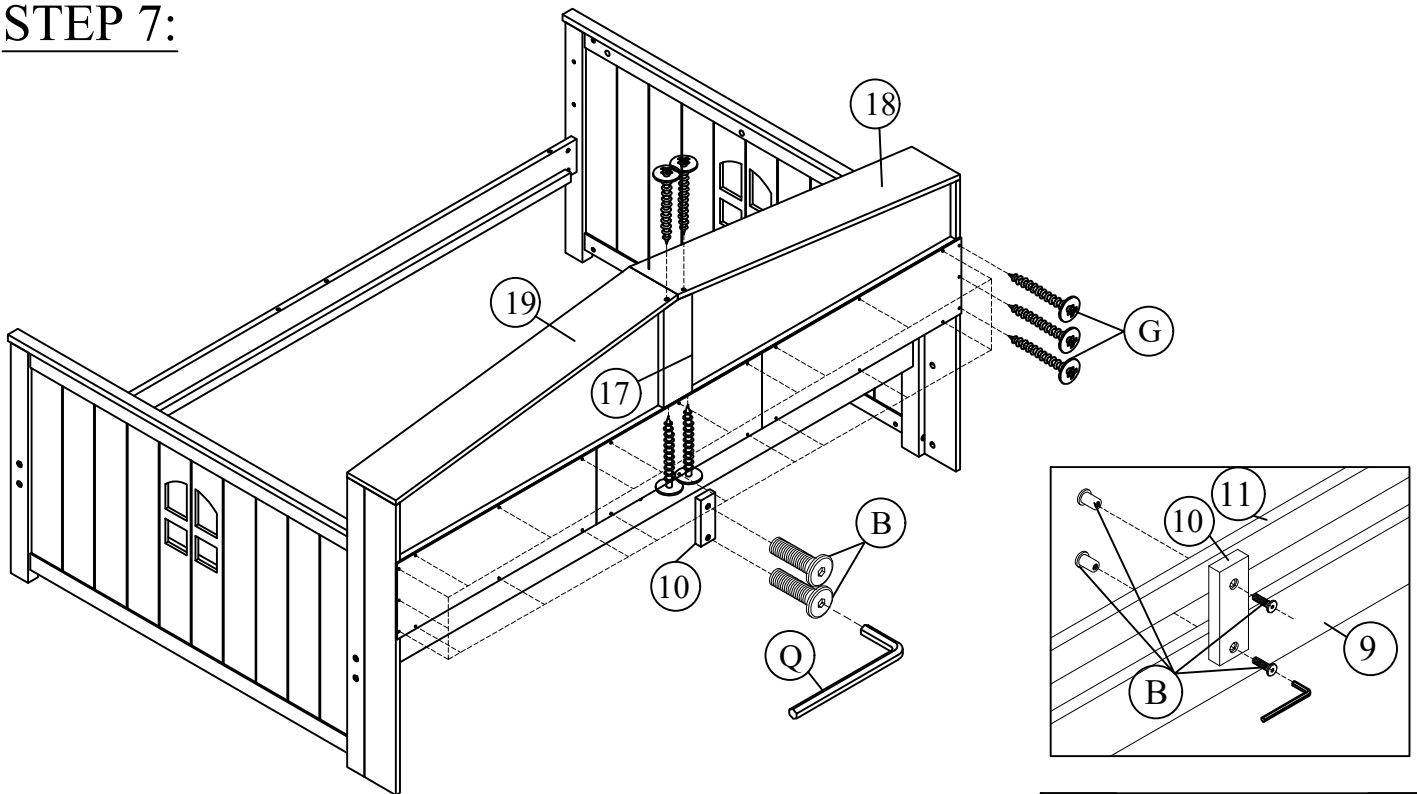
(A)		06
(D)		10
(F)		10
(L)		08
(Q)		01

STEP 6:



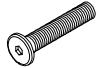
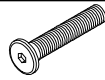

(K)		04
(L)		04
(T)		04
(R)		01

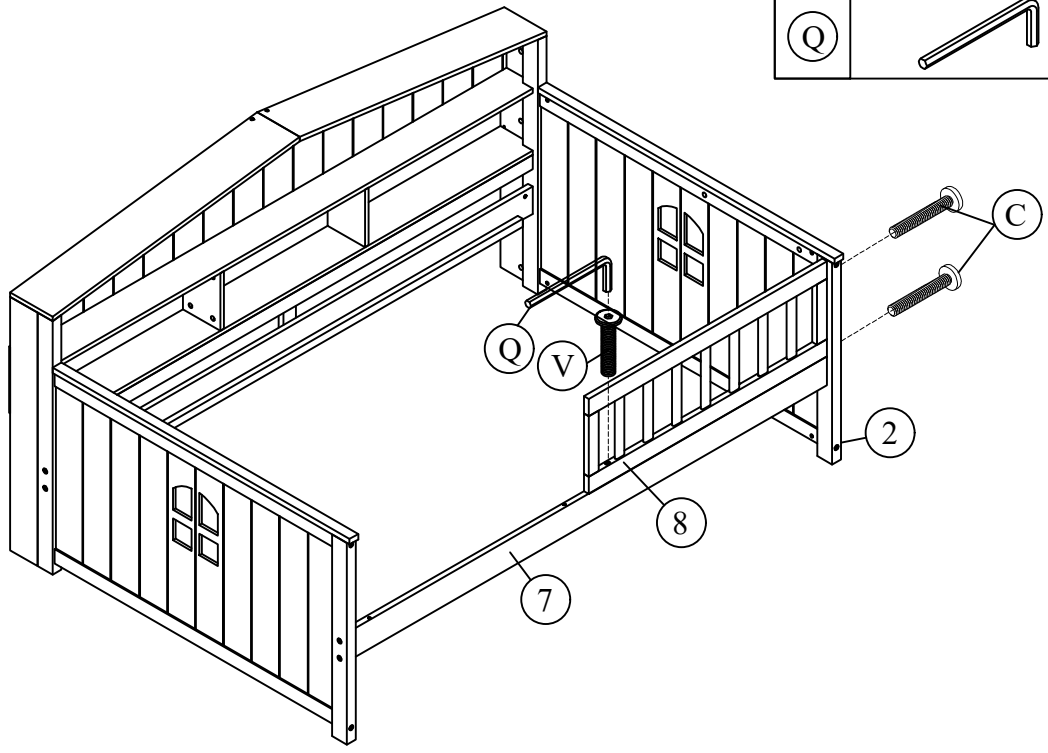
STEP 7:



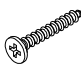

(B)		02
(G)		16
(Q)		01

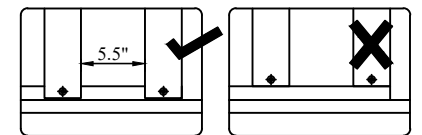
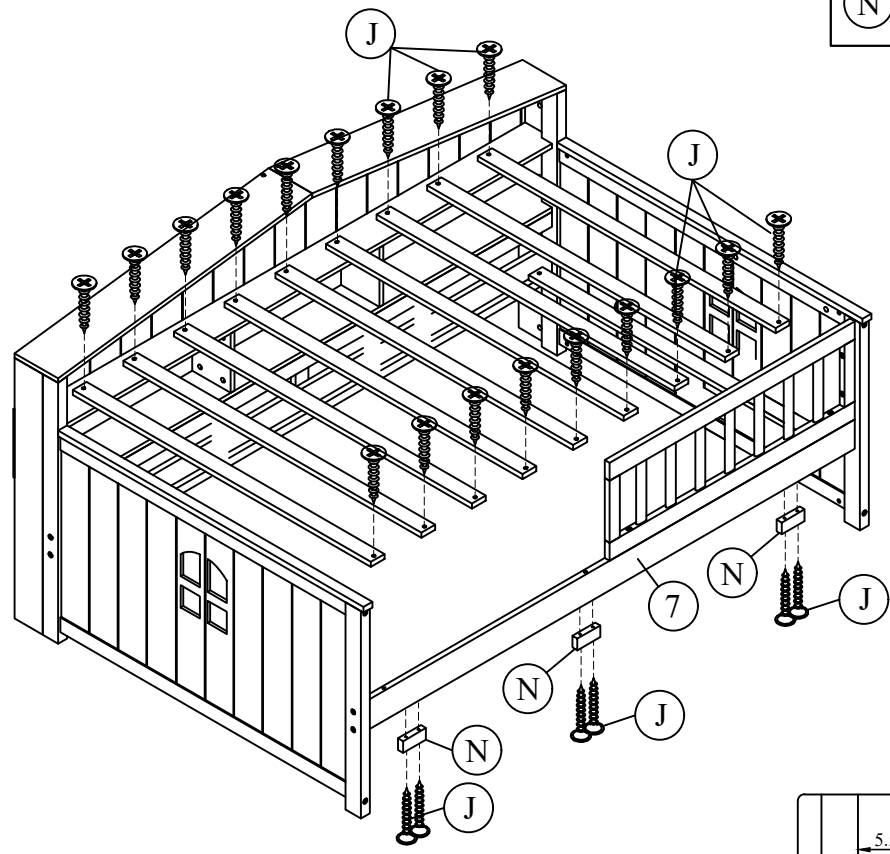
STEP 8:

(C)		02
(V)		01
(Q)		01



STEP 9:

(J)		26
(N)		03

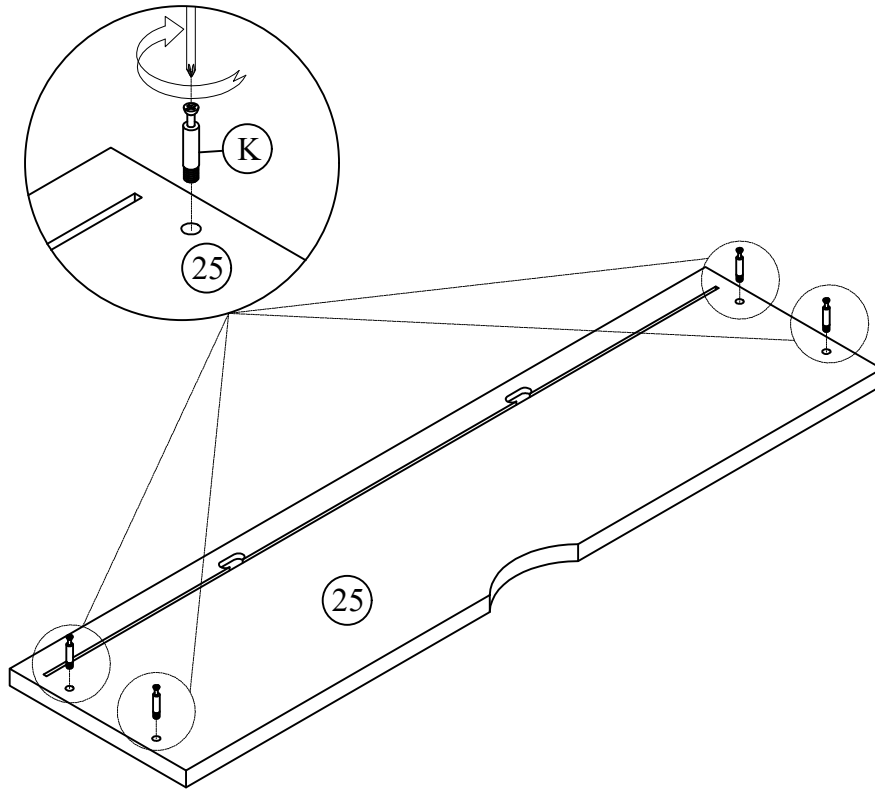


STEP 10:

(K)

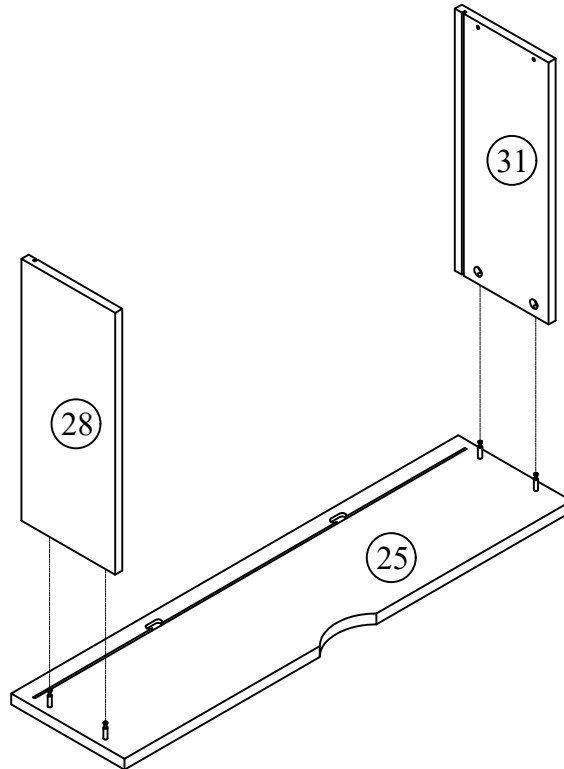


08



x2

STEP 11:



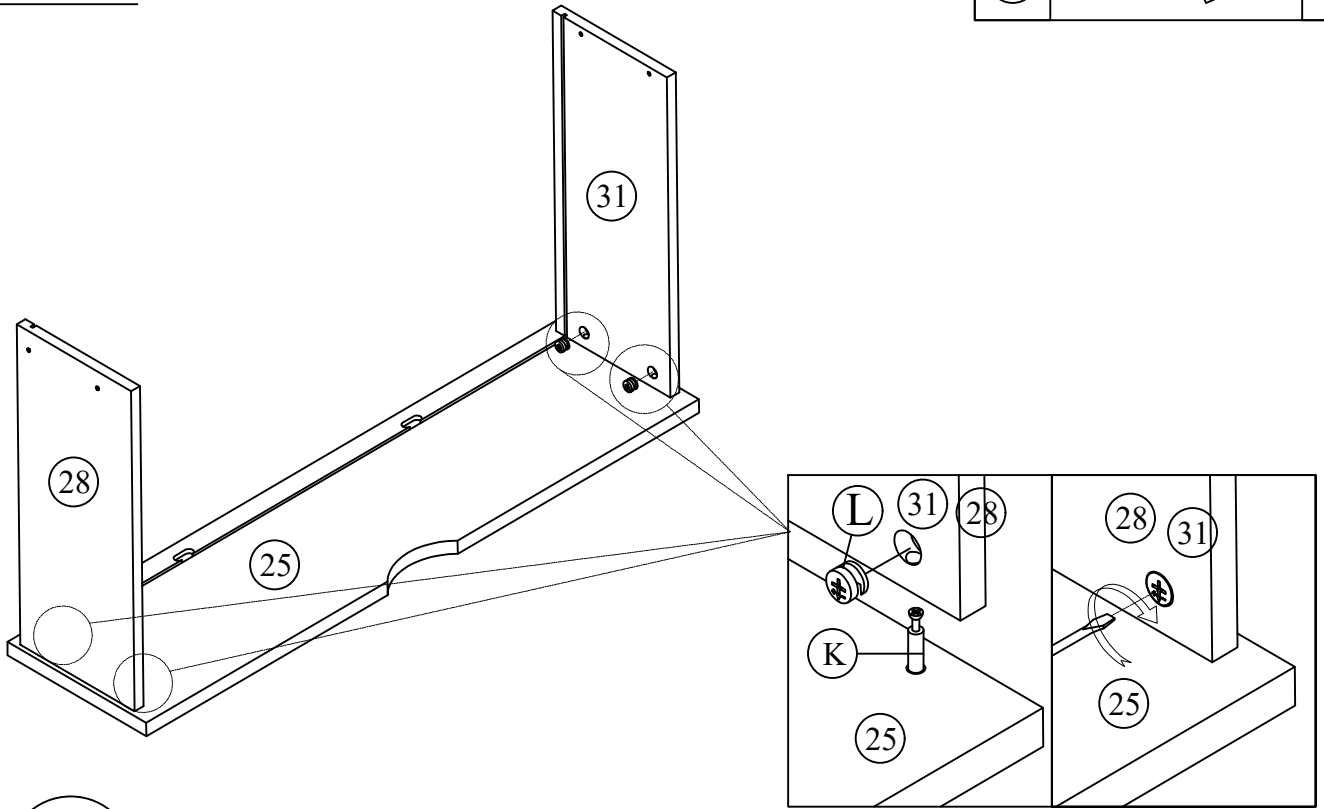
x2

STEP 12:

(L)

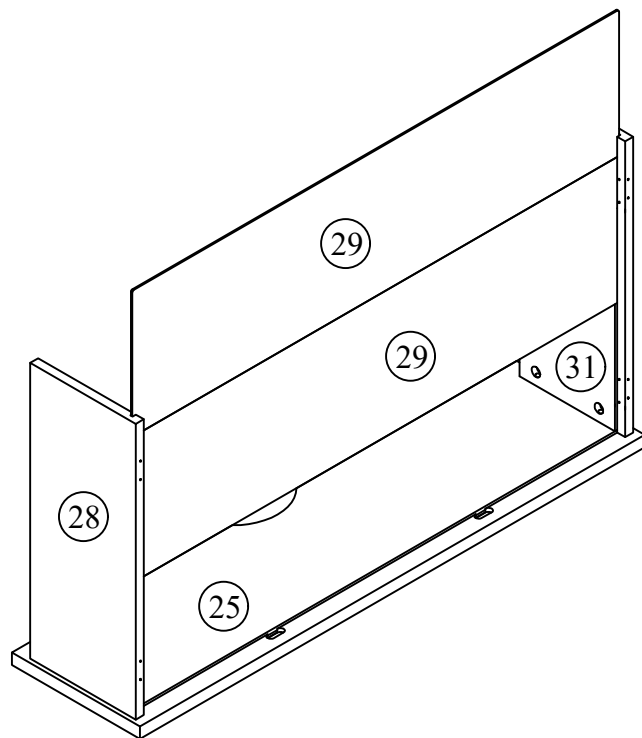


08



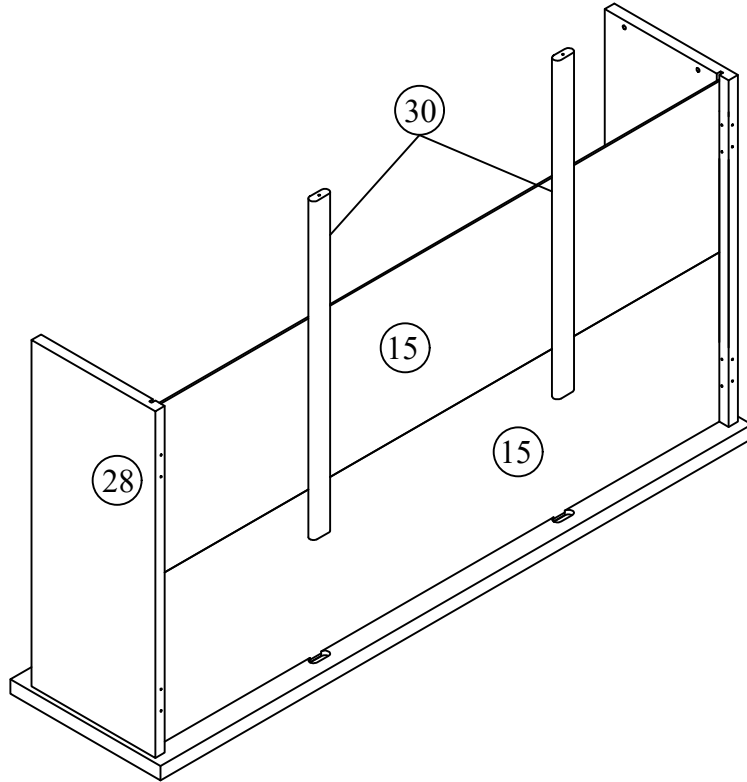
x2

STEP 13:



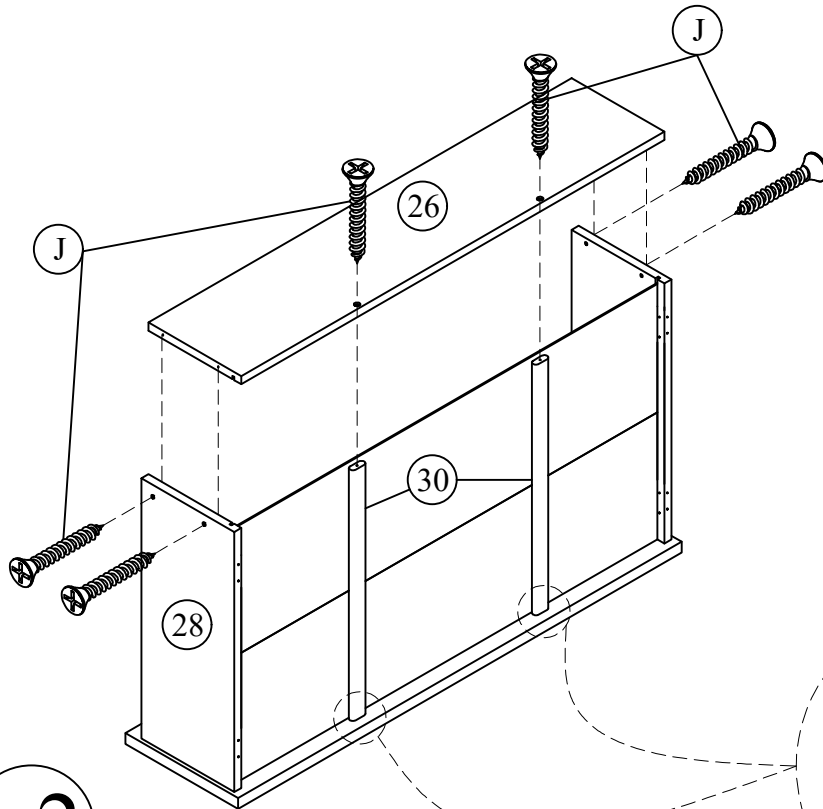
x2

STEP 14:






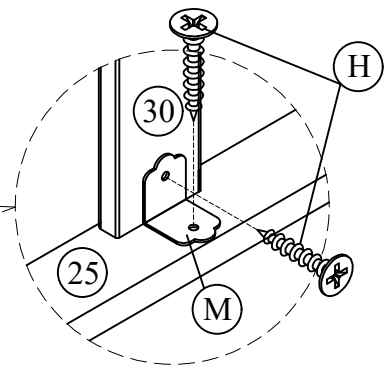
x2

STEP 15:





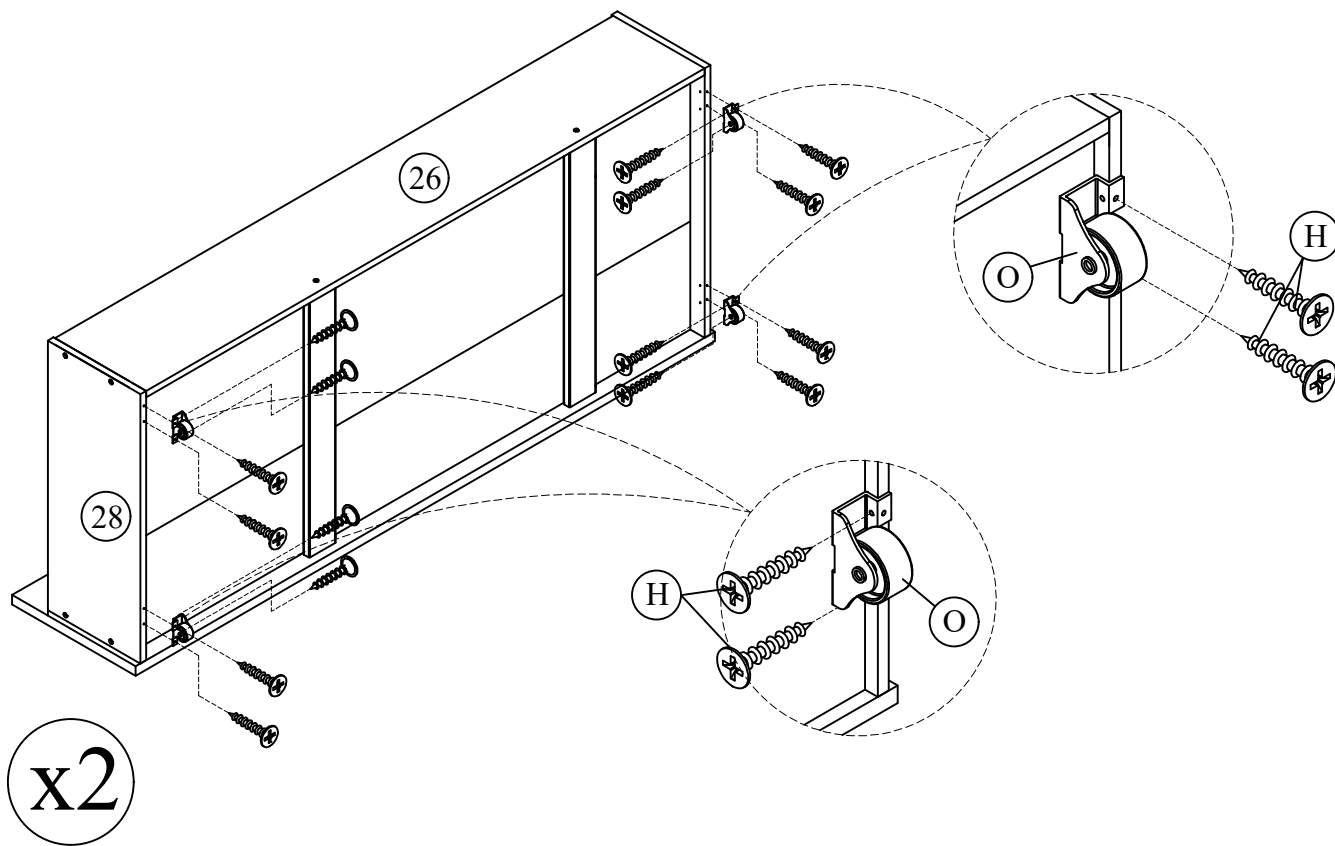
x2

(H)		08
(J)		12
(M)		04



STEP 16:

(H)		32
(O)		08



FINAL:

