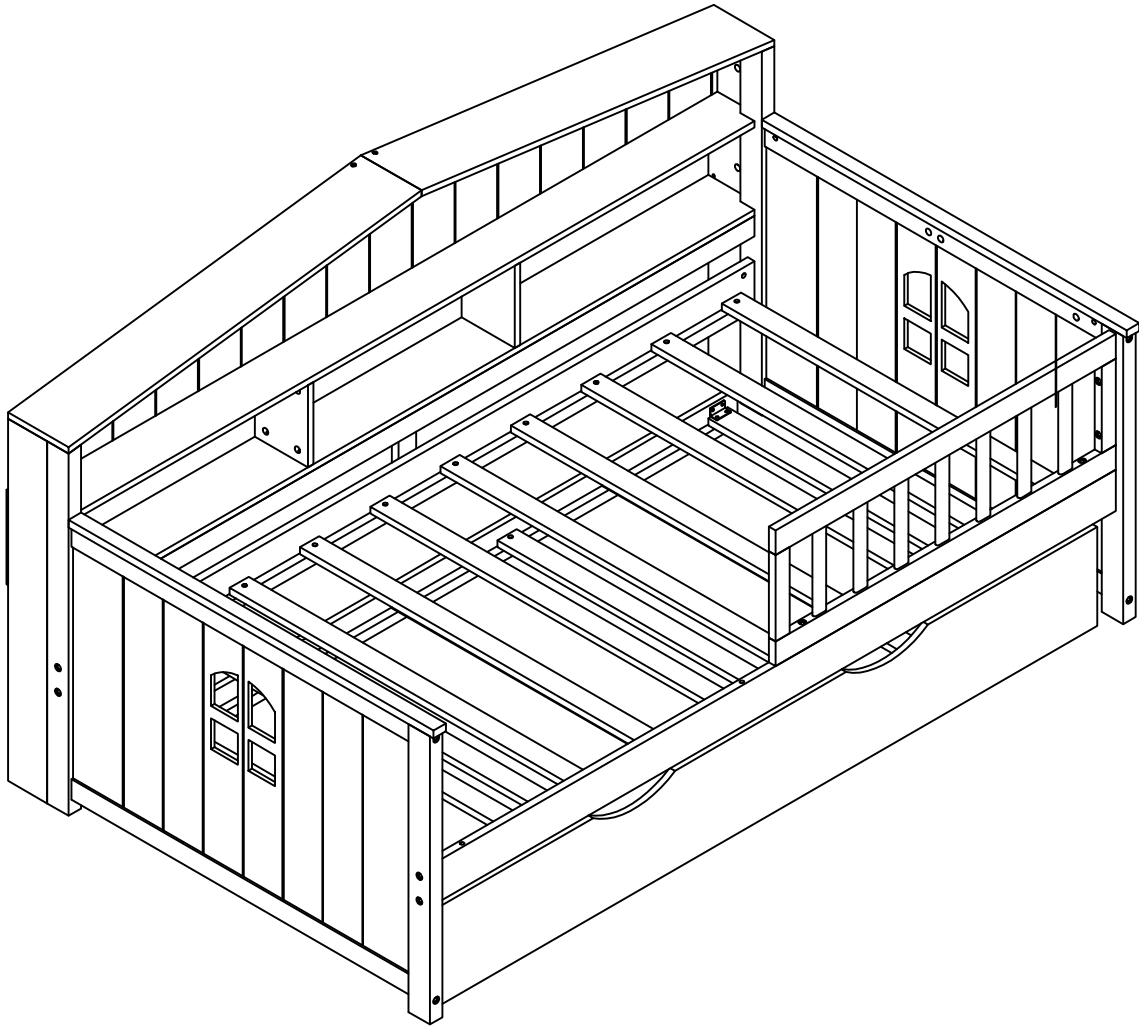
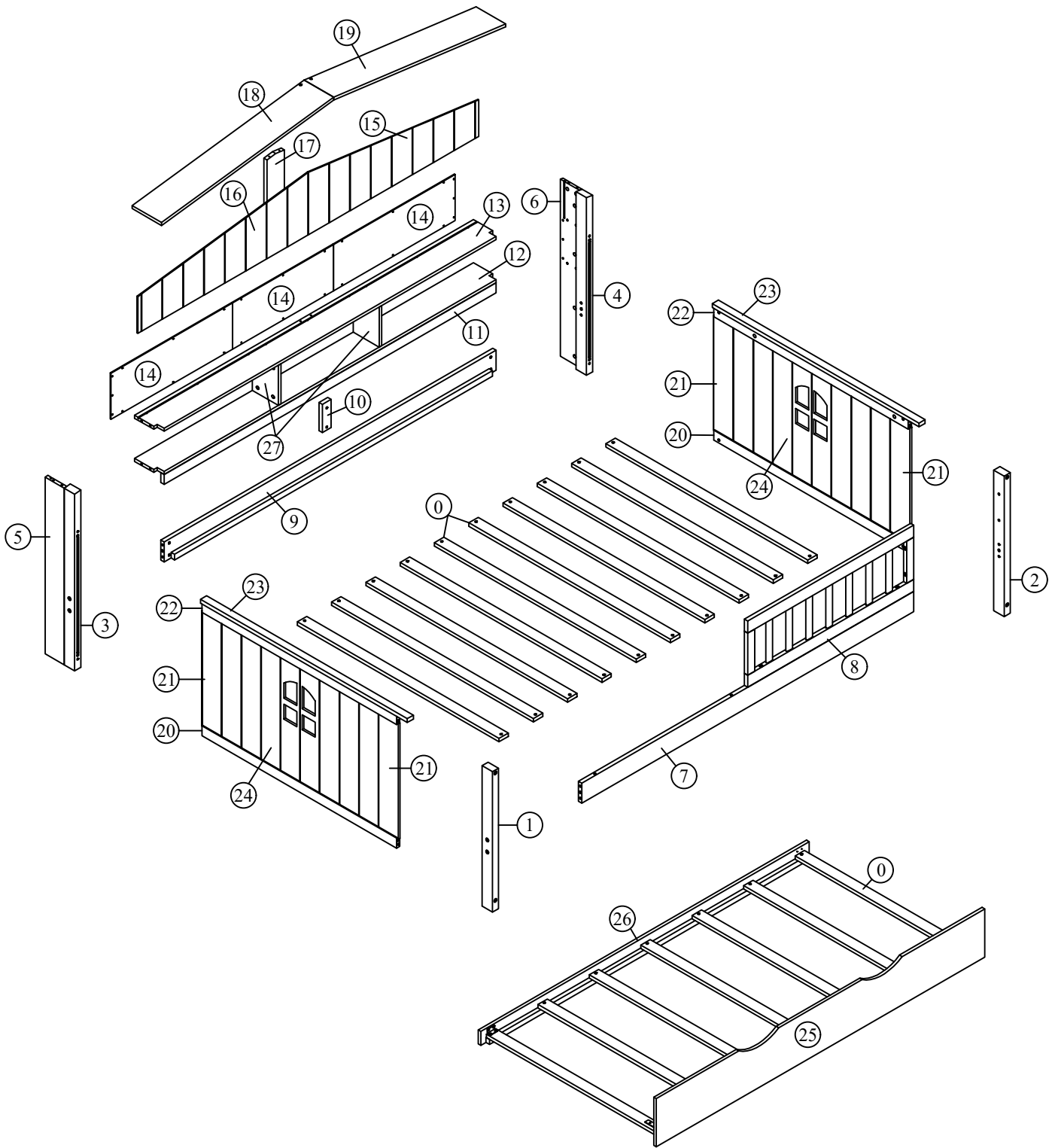


ASSEMBLY INSTRUCTION

SKU CODE: WF326258/WF326259

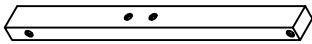


Detail view



Part List (WF326258)

① x1



Leg Bed

② x1



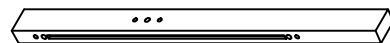
Leg Bed

③ x1



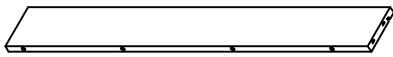
Leg Bed

④ x1



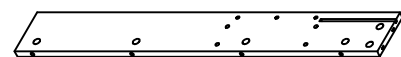
Leg Bed

⑤ x1



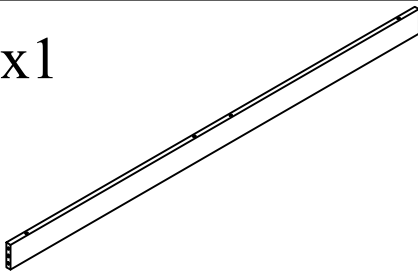
Leg Shelf Bed

⑥ x1



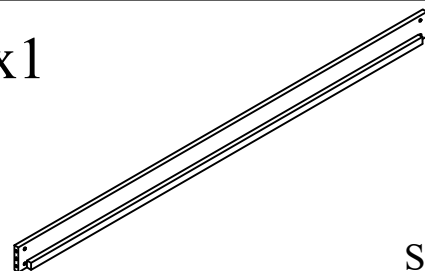
Leg Shelf Bed

⑦ x1



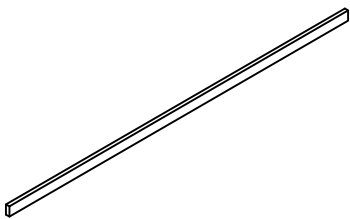
Side Rail

⑨ x1



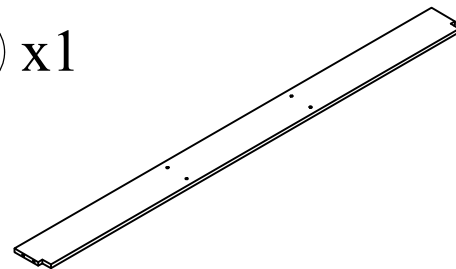
Side Rail

⑪ x1



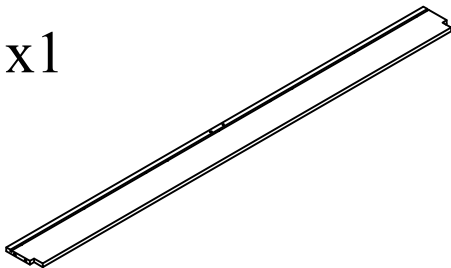
Long Support Shelf

⑫ x1



Shelf

⑬ x1



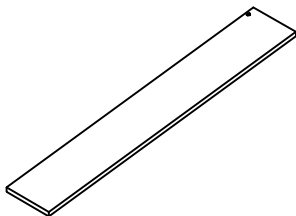
Shelf

⑰ x1



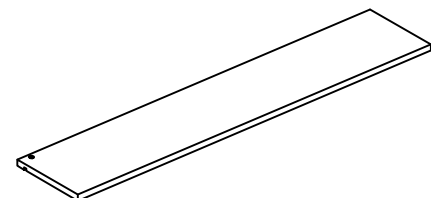
Support Shelf

⑱ x1



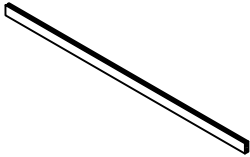
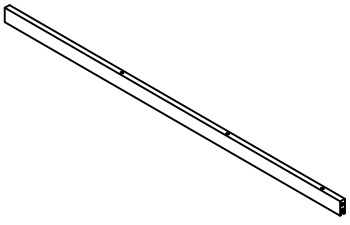
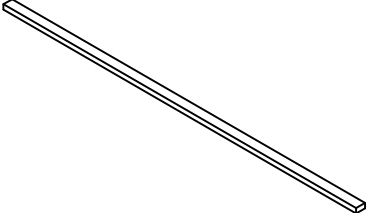
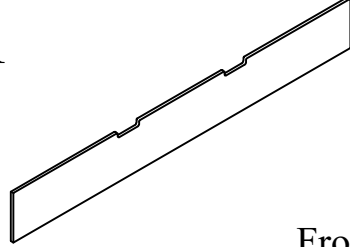
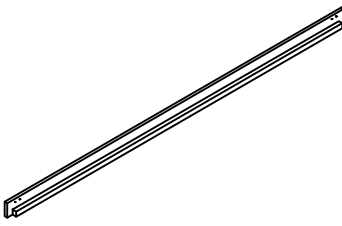
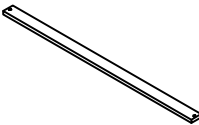
Top Shelf

⑲ x1



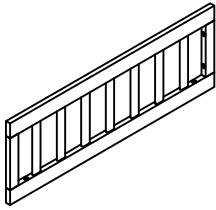
Top Shelf

Part List (WF326258)

<p>20 x2</p>  <p>Crossbar</p>	<p>22 x2</p>  <p>Crossbar</p>
<p>23 x2</p>  <p>Top Crossbar</p>	<p>25 x1</p>  <p>Front Trundle</p>
<p>26 x1</p>  <p>Back Trundle</p>	<p>0 x7</p>  <p>Slats</p>

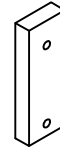
Part List (WF326259)

8 x1



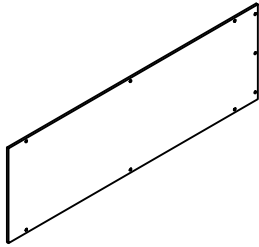
Frame Side Rail

10 x1



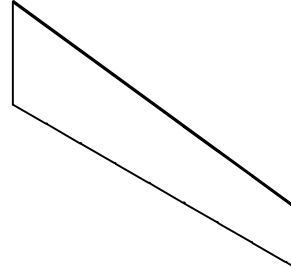
Support Shelf

14 x3



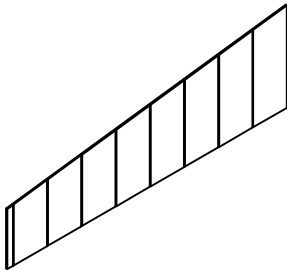
Back Shelf

15 x1



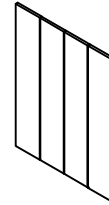
Back Shelf

16 x1



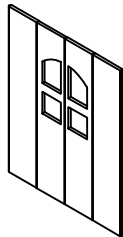
Back Shelf

21 x4



Panel Crossbar

24 x2



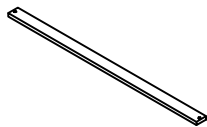
Panel Crossbar

27 x2



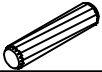

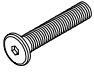








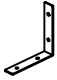
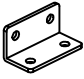


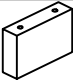
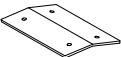


Side Shelf

0 x10



Slats

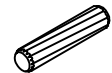

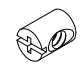

Hardware List (WF326258)

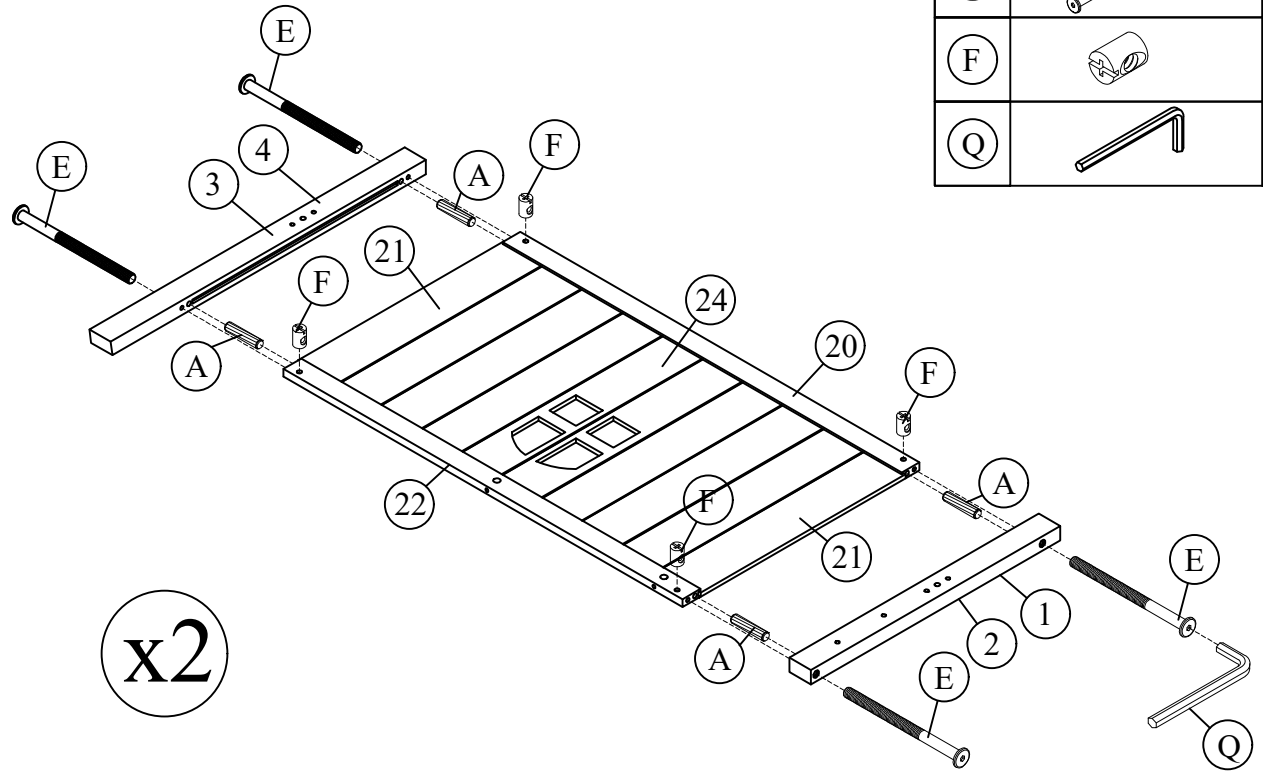
No.	OUTLOOK	DESC	QTY
(A)		Dowel Ø10*40mm	14
(B)		Bolts 1/4"*25mm	2
(C)		Bolts 1/4"*50mm	2
(D)		Bolts 1/4"*70mm	10
(E)		Bolts 1/4"*100mm	8
(F)		Cross dowel 1/4"*13mm	18
(G)		Round head screw #8*40mm	16
(H)		Screws #6*15mm	32
(J)		Screws #8*30mm	38
(K)		Connecting Bolt	34
(L)		Connector Housing	34
(M)		Base L long	2
(N)		Base L small	2
(O)		Wheels	4
(Q)		Allen key 60*22*4mm	1
(S)		Wood stops	2
(R)		Base V	1
(T)		Screws #6*12mm	4
(V)		Bolts 1/4"*60mm	1

ASSEMBLY TOOLS REQUIRED (NOT INCLUDED)





STEP 1:

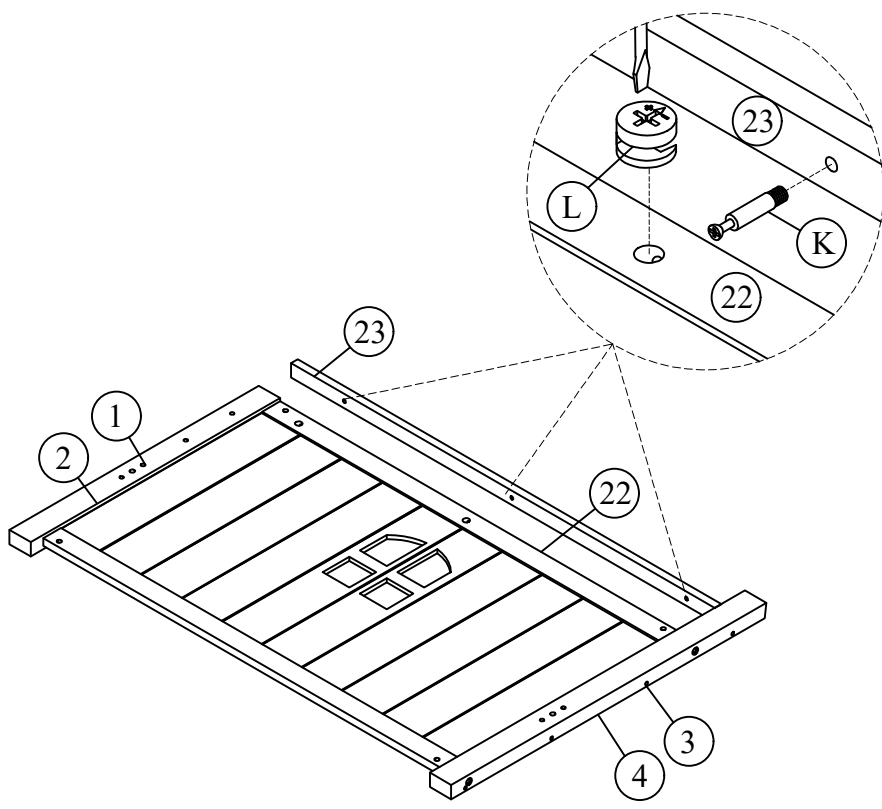
(A)		08
(E)		08
(F)		08
(Q)		01



x2



STEP 2:

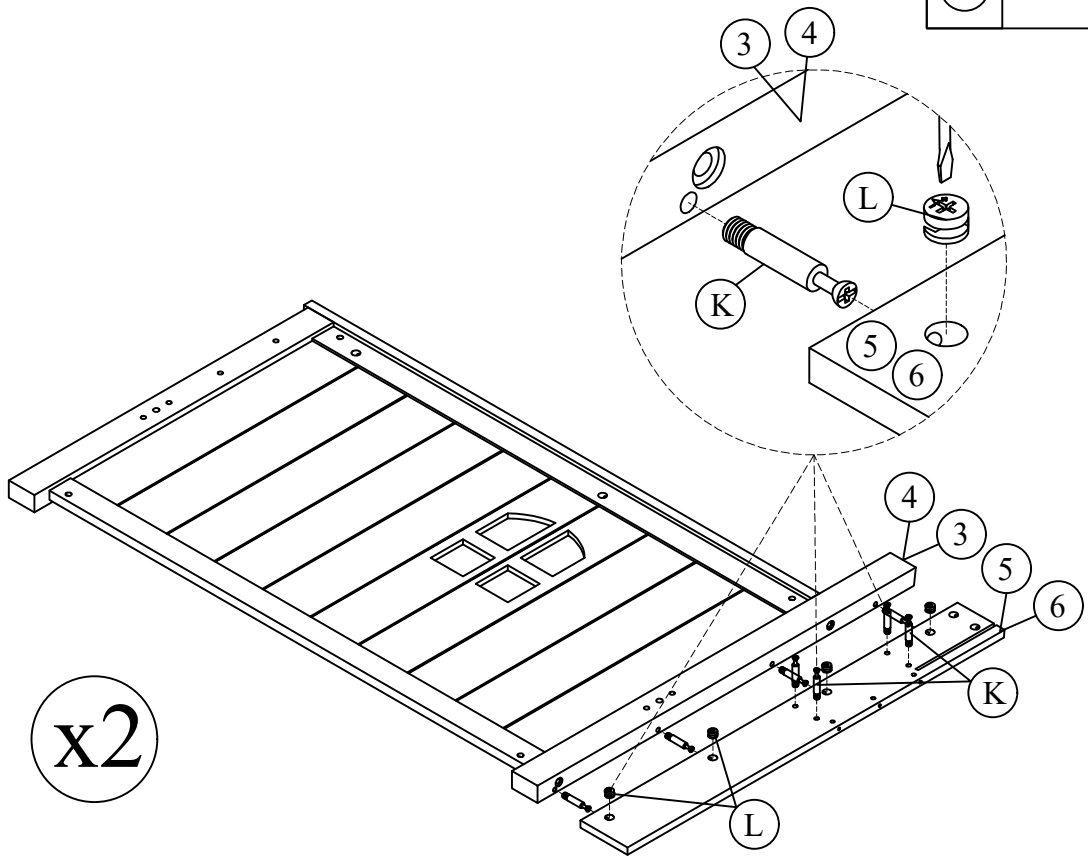
(K)		06
(L)		06





x2

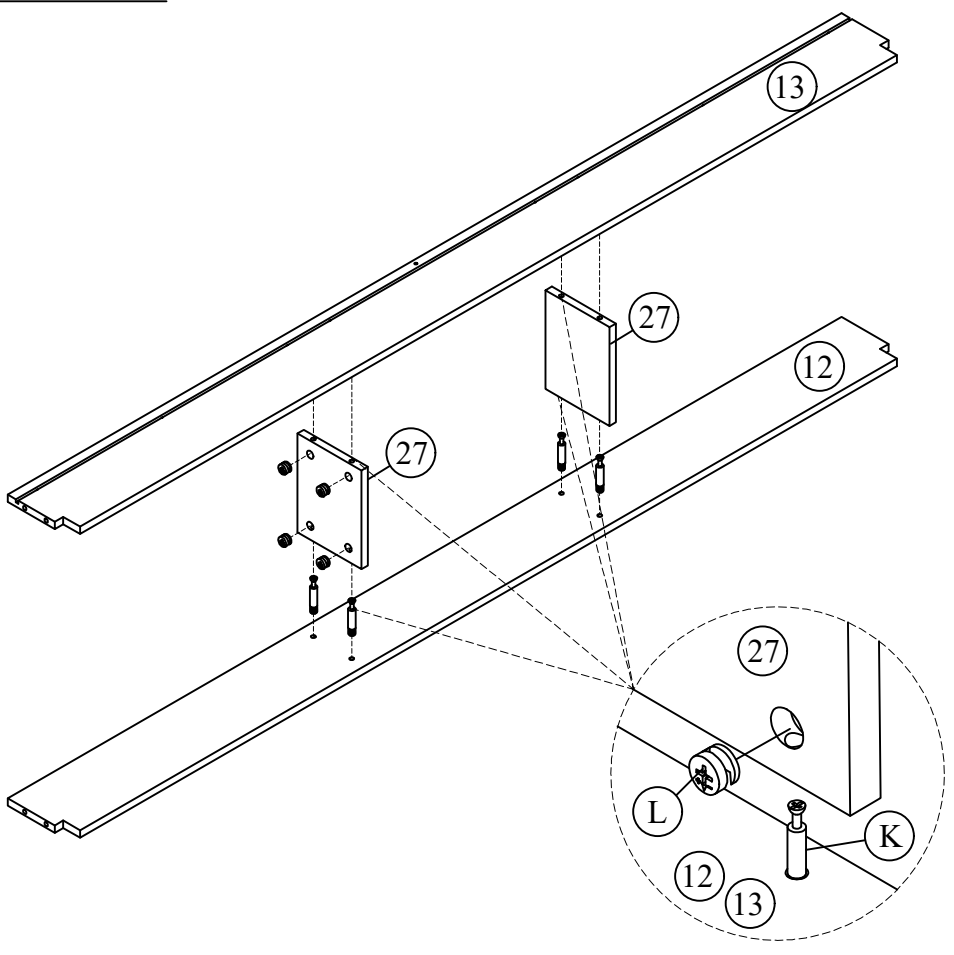
STEP 3:

(K)		16
(L)		08

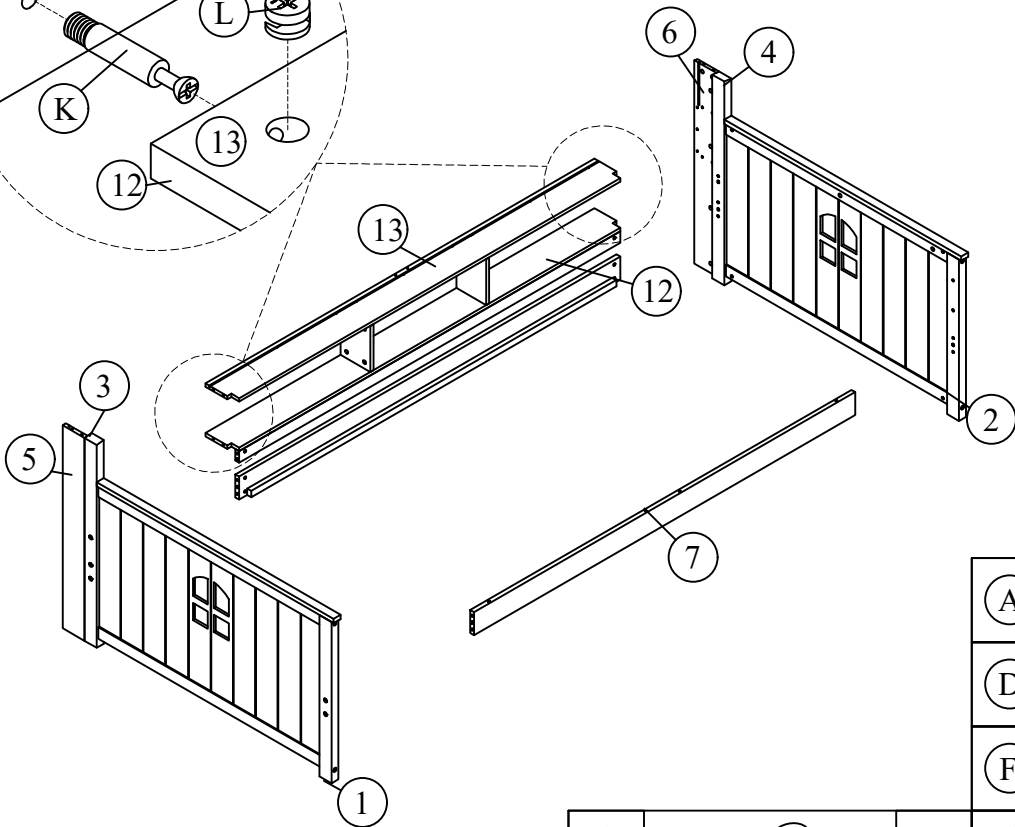
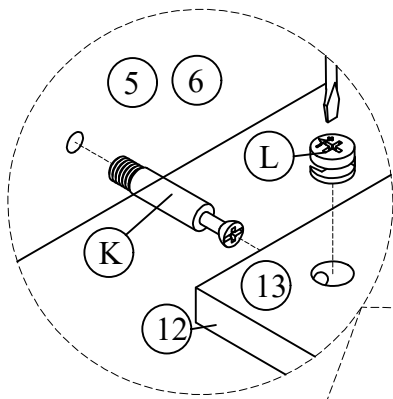
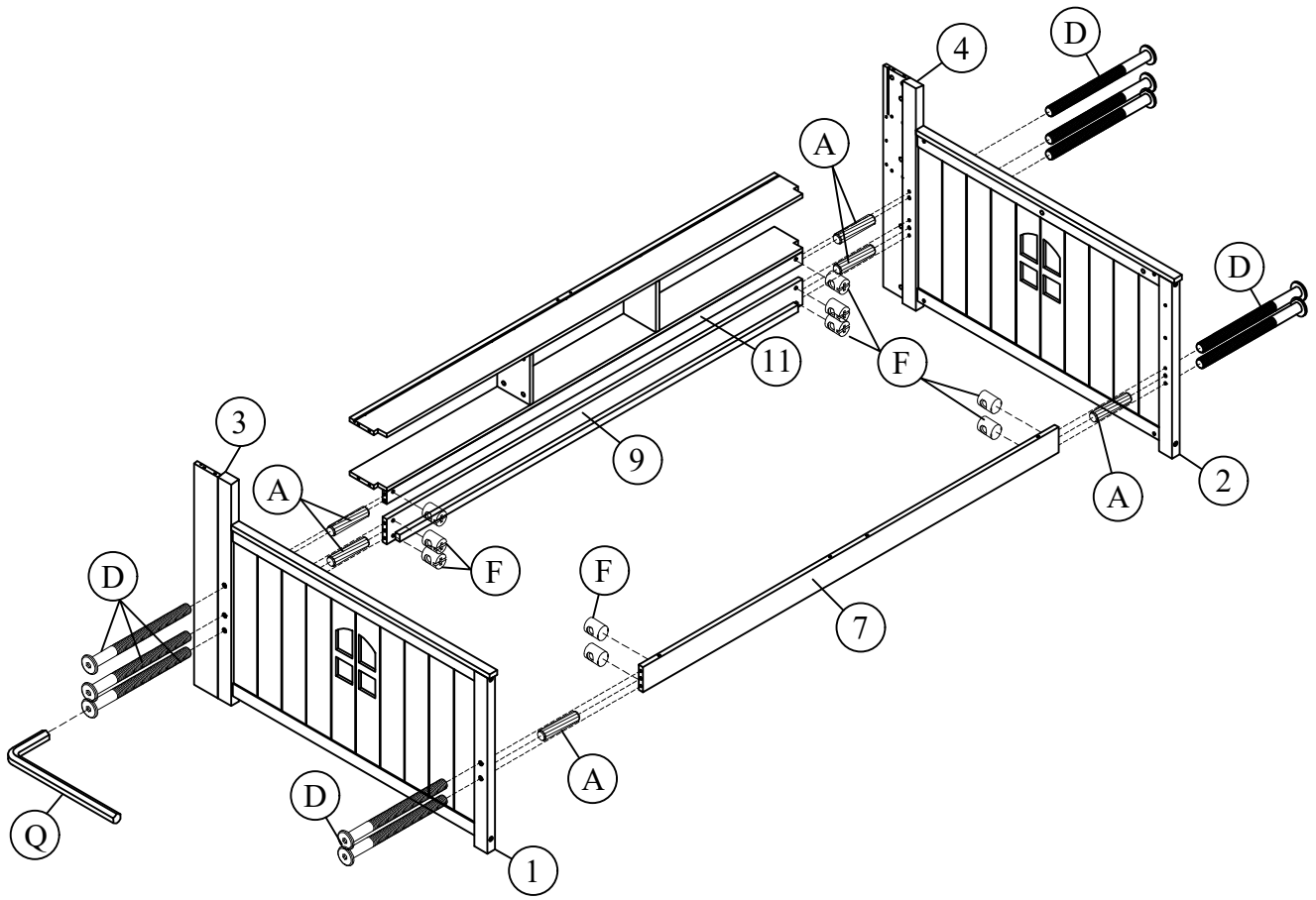


STEP 4:

(K)		08
(L)		08

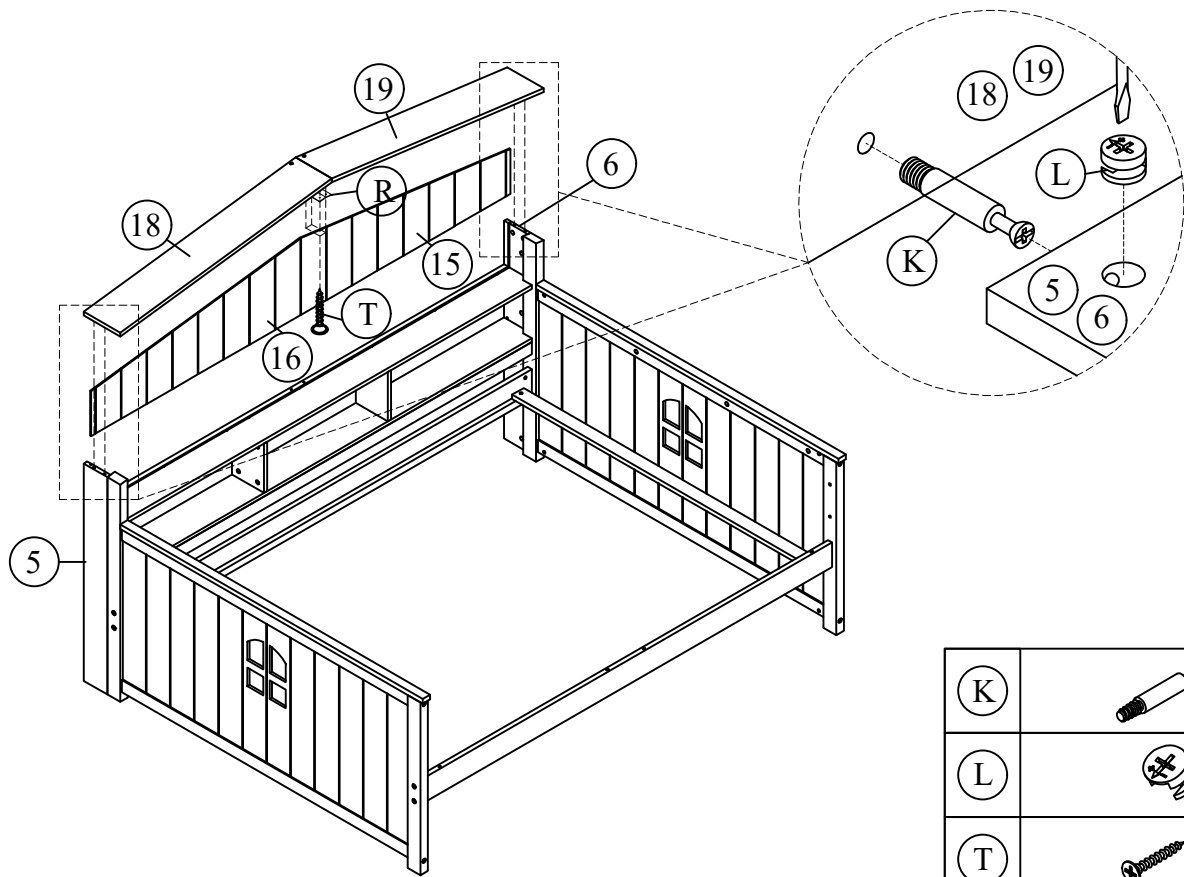





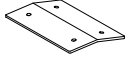
STEP 5:



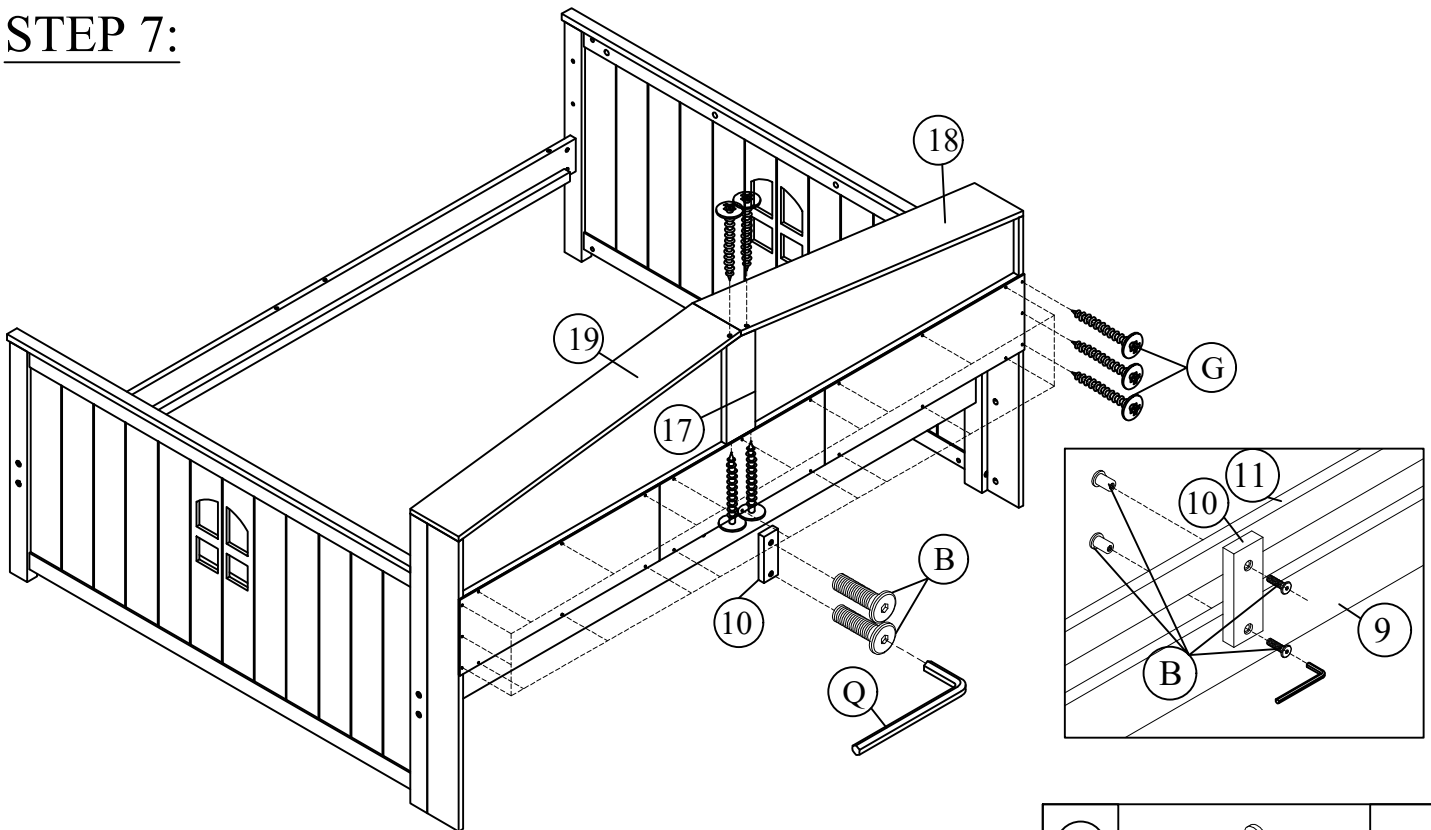
(A)		06
(D)		10
(F)		10
(L)		08
(Q)		01




STEP 6:



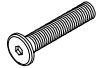
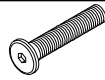

(K)		04
(L)		04
(T)		04
(R)		01

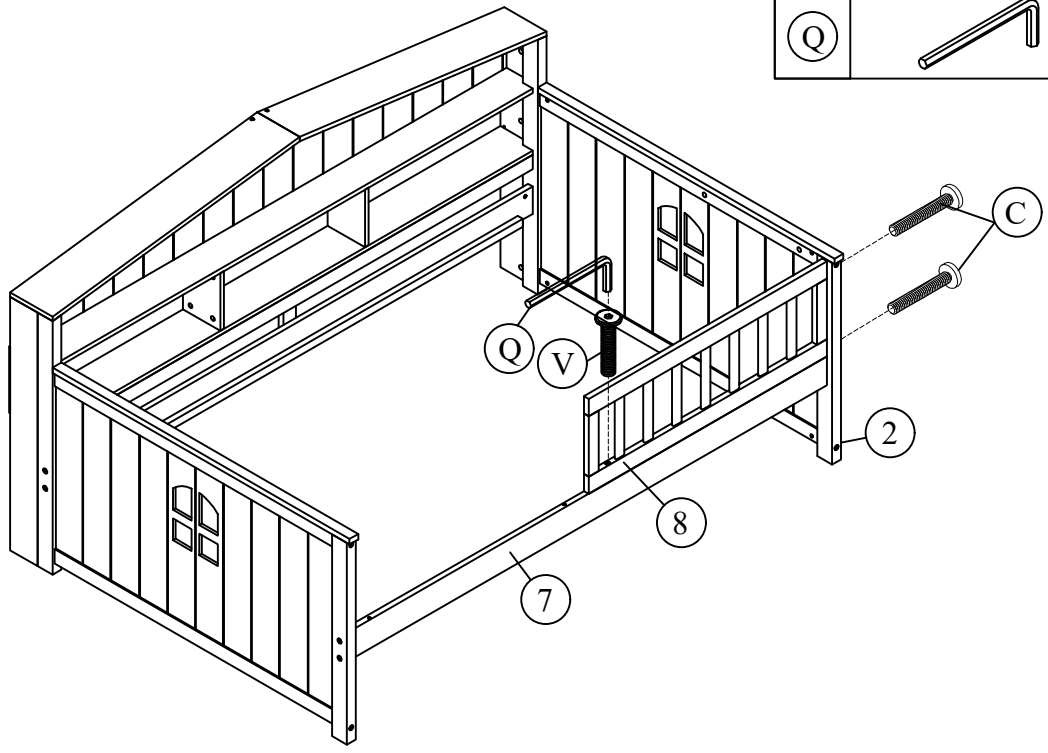
STEP 7:



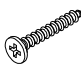

(B)		02
(G)		16
(Q)		01

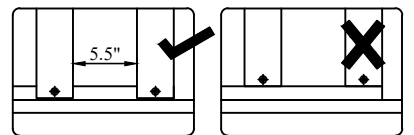
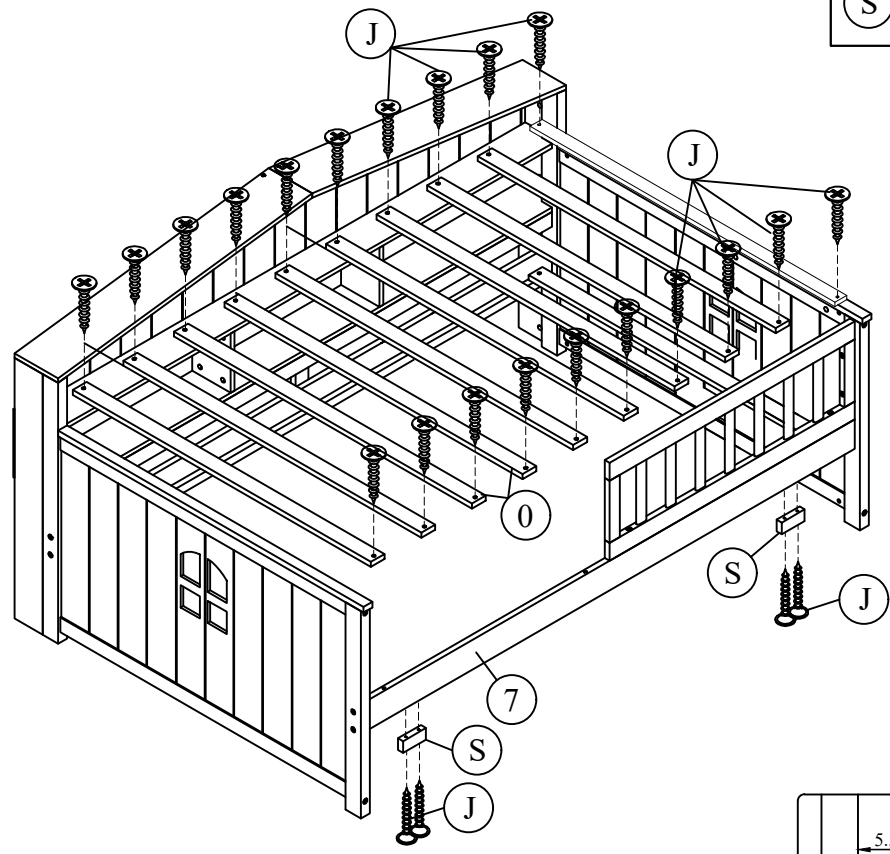
STEP 8:

(C)		02
(V)		01
(Q)		01





STEP 9:

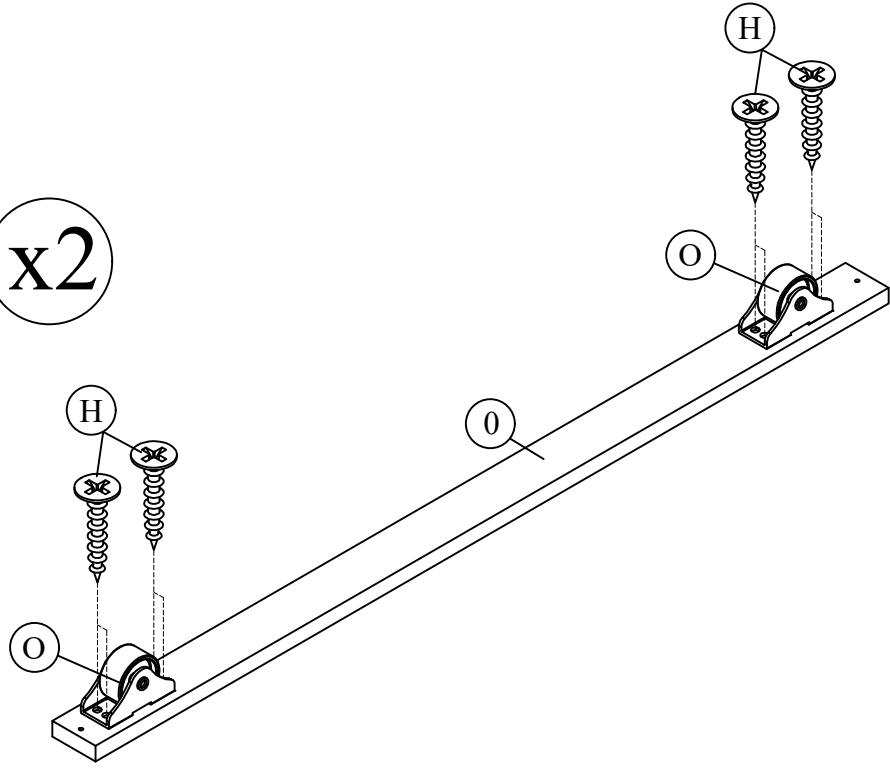
(J)		24
(S)		02



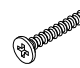
STEP 10:

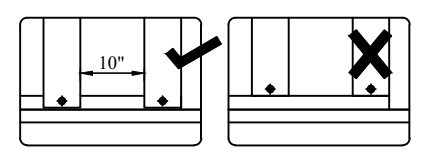
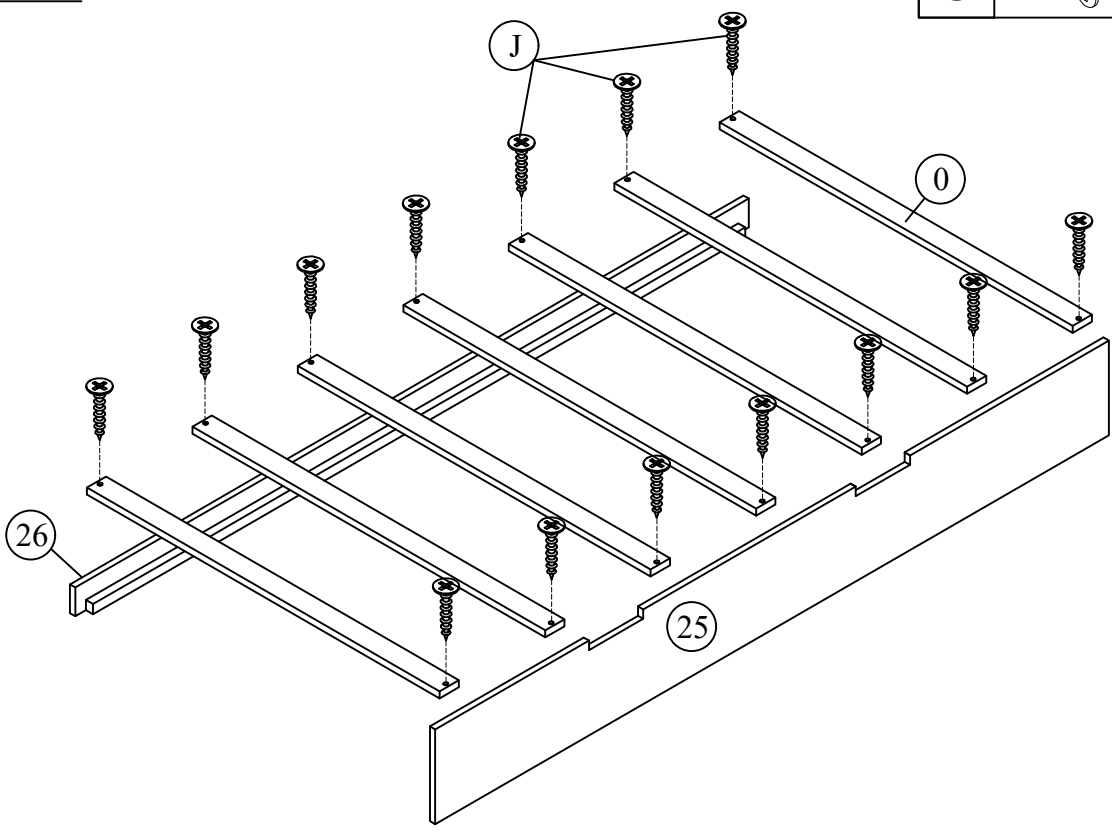
(H)		16
(O)		04

x2


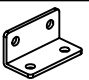
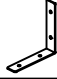


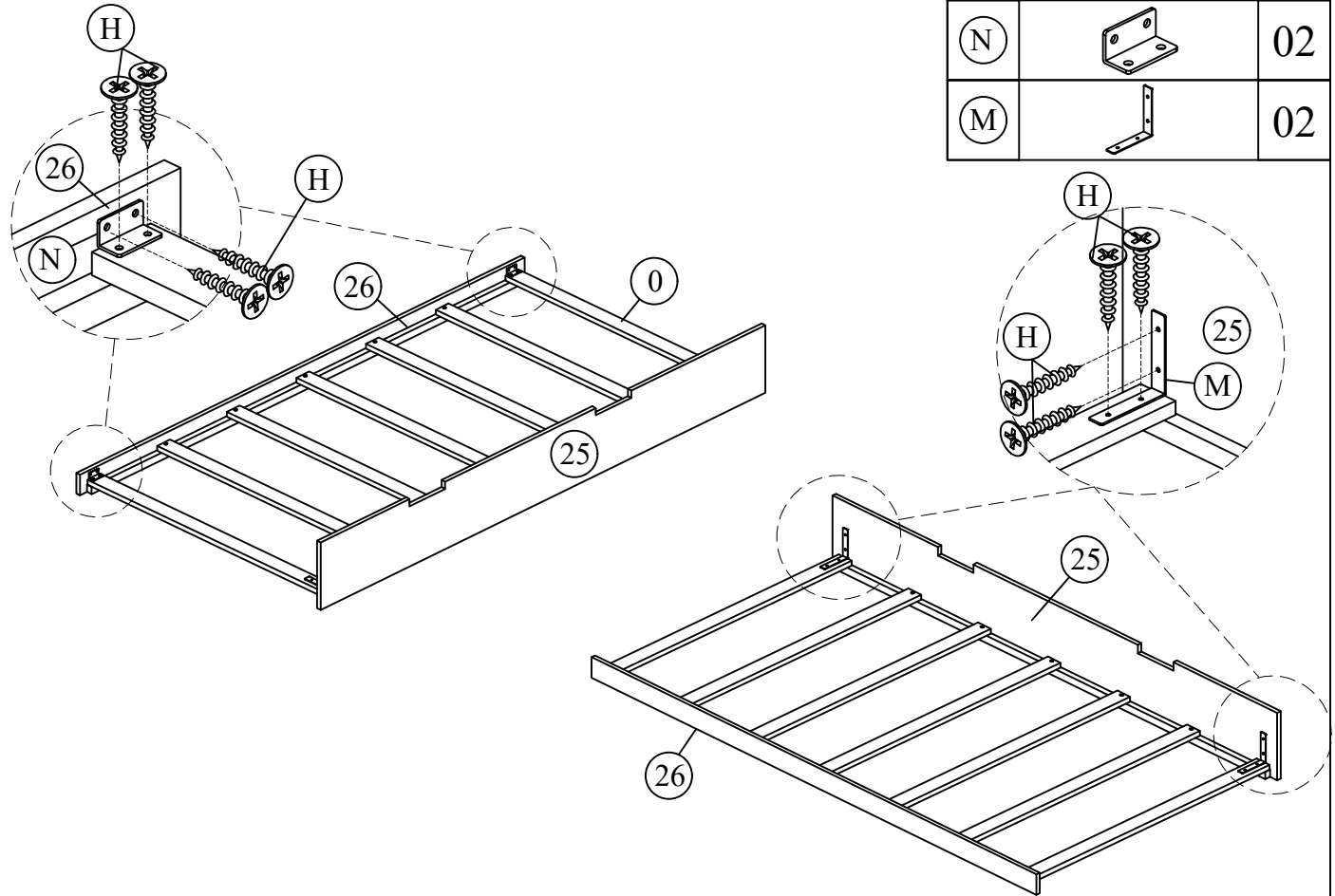
STEP 11:

(J)		14
-----	---	----



STEP 12:

(H)		16
(N)		02
(M)		02



FINAL:

