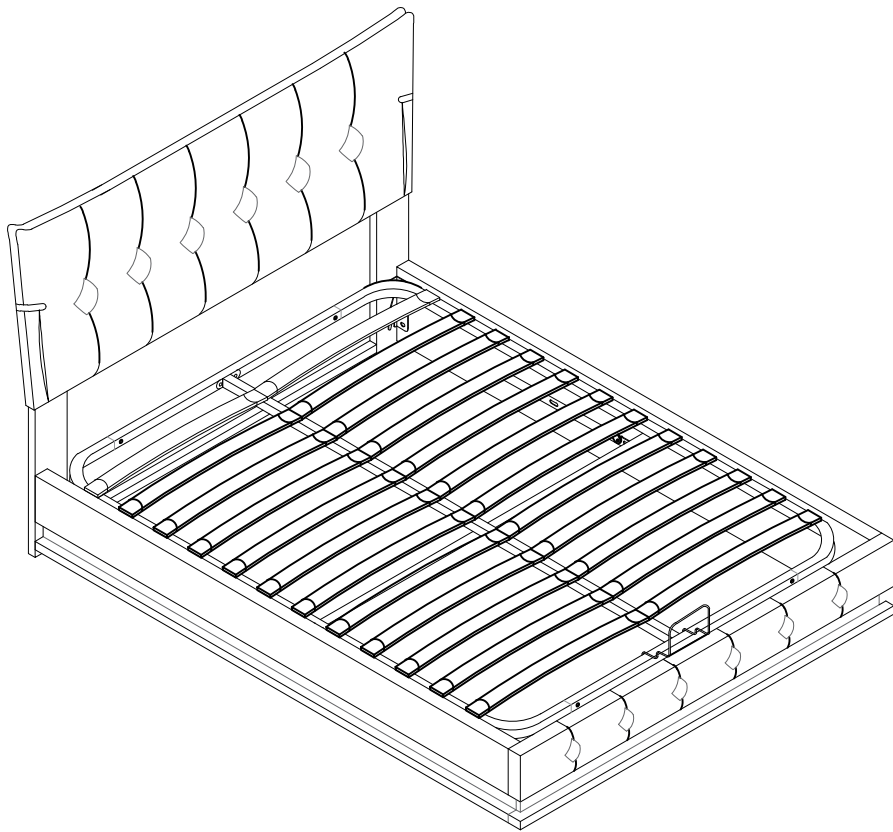
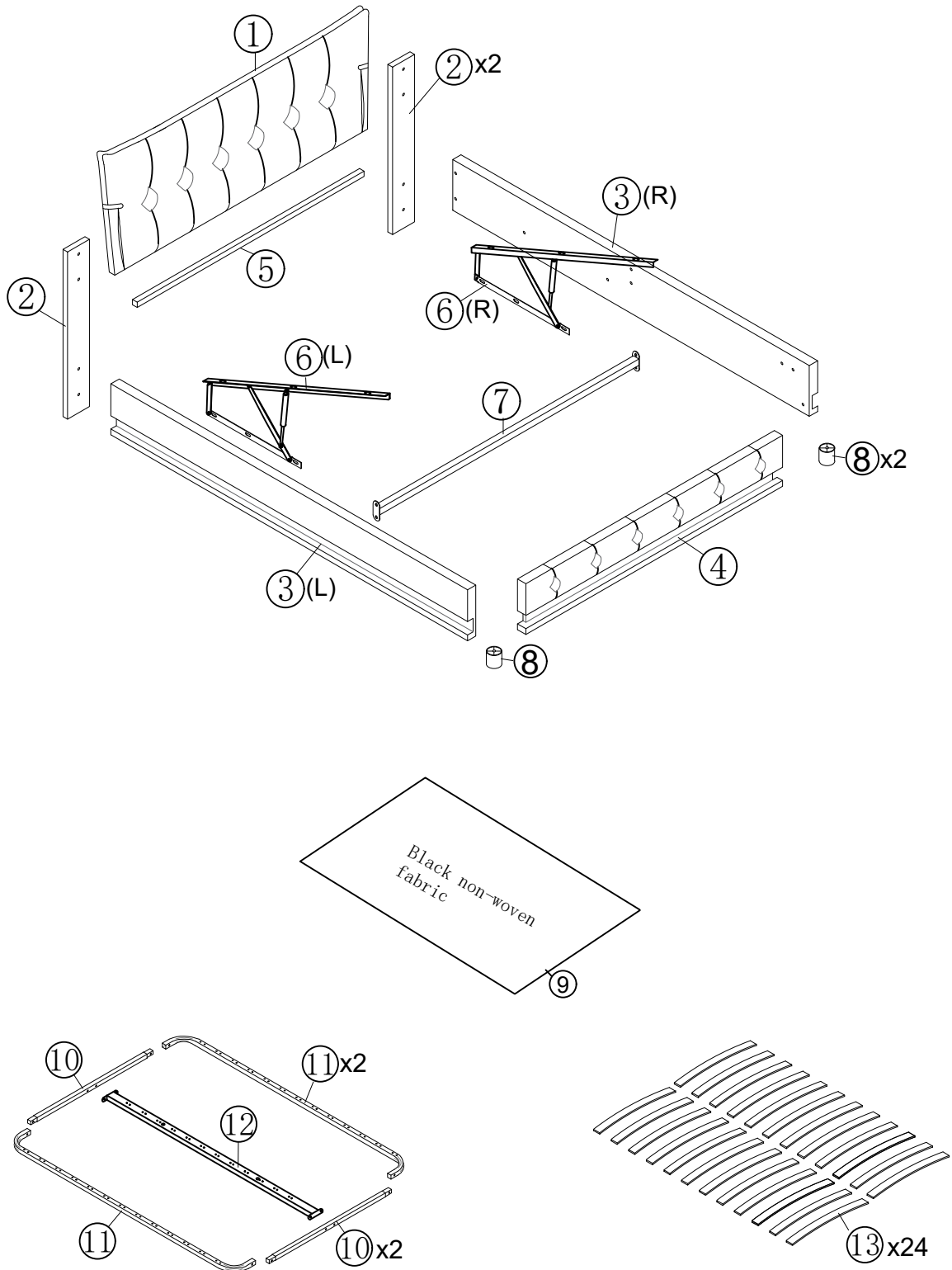


# ASSEMBLY INSTRUCTION



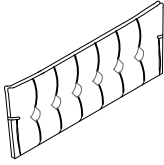

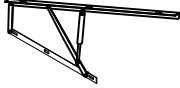

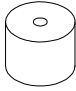
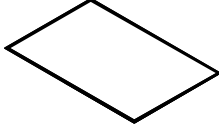
N701P170744 / N701P170745

# Detail View




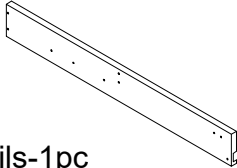
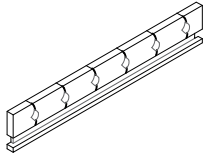
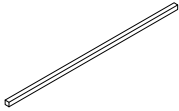
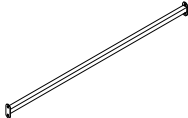
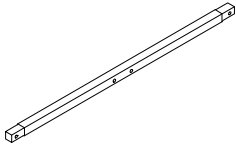
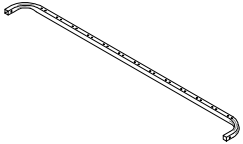
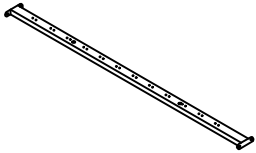
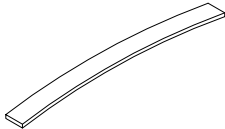
# Part List

N701P170744

<p><b>1</b></p>  <p>Head board-1pc</p>	<p><b>2</b></p>  <p>Head board legs-2pcs</p>	<p><b>6L</b></p>  <p>Gas lift -1pc</p>
<p><b>6R</b></p>  <p>Gas lift -1pc</p>	<p><b>8</b></p>  <p>Legs-2pcs</p>	<p><b>9</b></p>  <p>Non woven fabric -1pc</p>








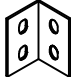





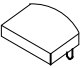




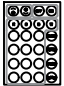

# Part List

Hardware List+N701P170745

<p><b>3L</b></p>  <p>Siderails-1pc</p>	<p><b>3R</b></p>  <p>Siderails-1pc</p>	<p><b>4</b></p>  <p>Foot board-1pc</p>
<p><b>5</b></p>  <p>Head board cross bar-1pc</p>	<p><b>7</b></p>  <p>Cross bar-1pc</p>	<p><b>10</b></p>  <p>Metal frame cross bar-2pcs</p>
<p><b>11</b></p>  <p>Metal frame side bar-2pcs</p>	<p><b>12</b></p>  <p>Metal frame middle bar-1pc</p>	<p><b>13</b></p>  <p>Slat-24pcs</p>


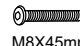

# Hardware List

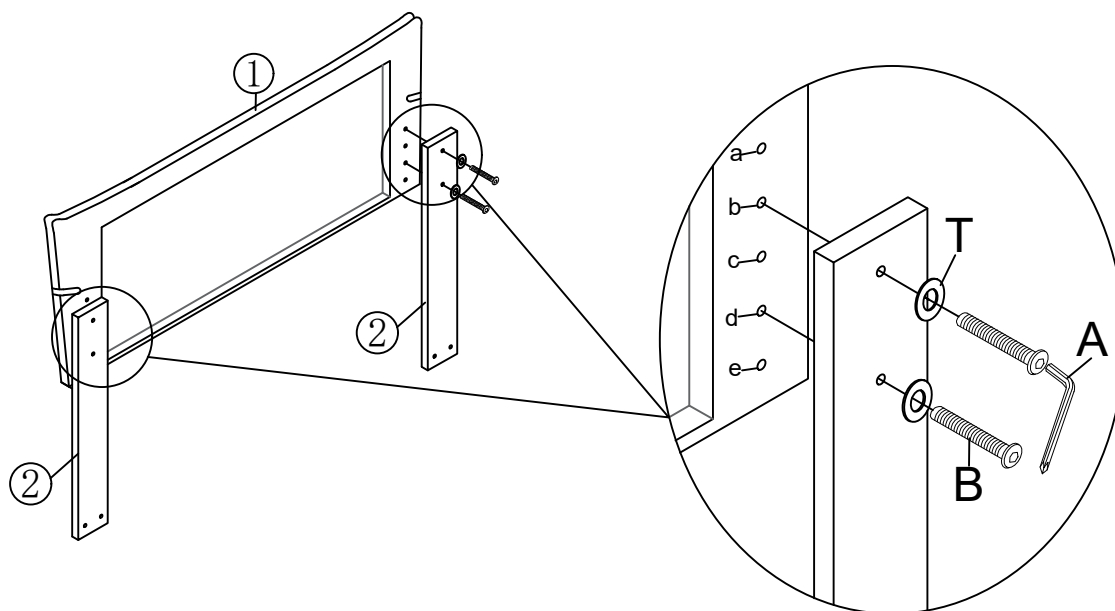
N701P170744

<p><b>A</b></p>  <p>20*70mm</p>	<p><b>B</b></p>  <p>Ø8*45mm</p>	<p><b>C</b></p> 
<p>Allen Key(1pc)</p>	<p>Bolts(18pcs)</p>	<p>Three hole iron(2pcs)</p>
<p><b>D</b></p>  <p>Ø8*18mm</p>	<p><b>E</b></p> 	<p><b>F</b></p> 
<p>Bolts(38pcs)</p>	<p>Hinge(2pcs)</p>	<p>Little "7" Connector(2pcs)</p>
<p><b>G</b></p> 	<p><b>H</b></p>  <p>77*33**33*3mm</p>	<p><b>I</b></p>  <p>Ø4*40mm</p>
<p>Metal Corner(2pcs)</p>	<p>"7" Connector(1pc)</p>	<p>Nails(2pcs)</p>
<p><b>J</b></p> 	<p><b>K</b></p> 	<p><b>L</b></p>  <p>M8</p>
<p>Nuts(4pcs)</p>	<p>Spanner(1pc)</p>	<p>Nuts(14pcs)</p>
<p><b>M</b></p> 	<p><b>N</b></p> 	<p><b>O</b></p> 
<p>Middle slats cap(12pcs)</p>	<p>End slats cap(24pcs)</p>	<p>Stopper(1pc)</p>
<p><b>P</b></p> 	<p><b>Q</b></p> 	<p><b>R</b></p> 
<p>Power adapter(1pc)</p>	<p>Color controller(1pc)</p>	<p>LED(1pc)</p>
<p><b>S</b></p> 	<p><b>T</b></p> 	
<p>Remote control(1pc)</p>	<p>Washer(4pcs)</p>	




Remark: We recommend you assemble your bed in the flat ground.

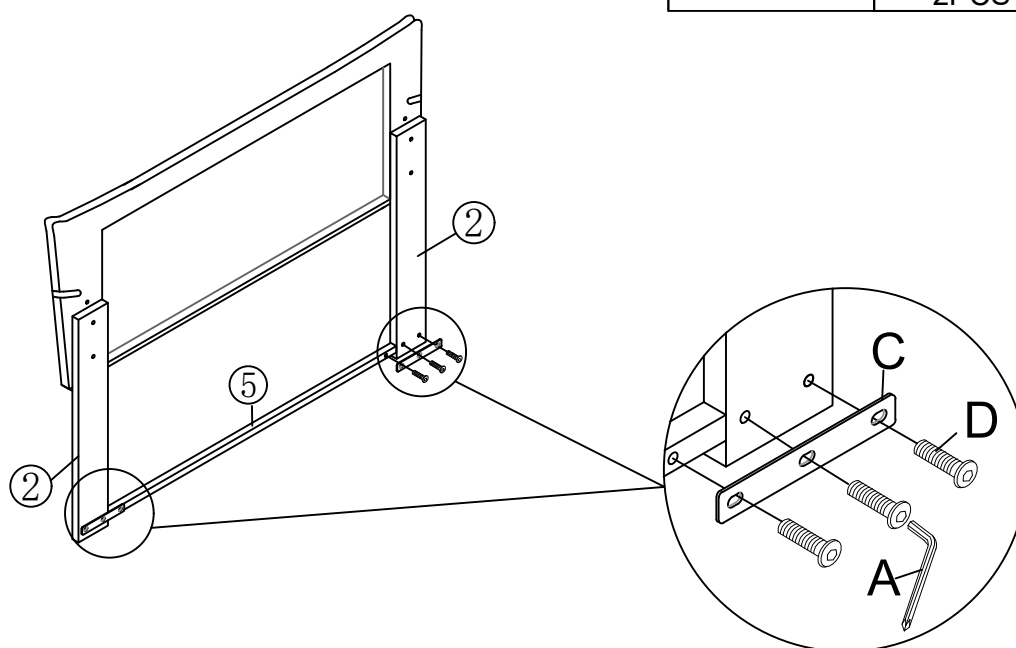
### Step 1

A	B	T
	 M8X45mm	
	4PCS	4PCS


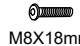



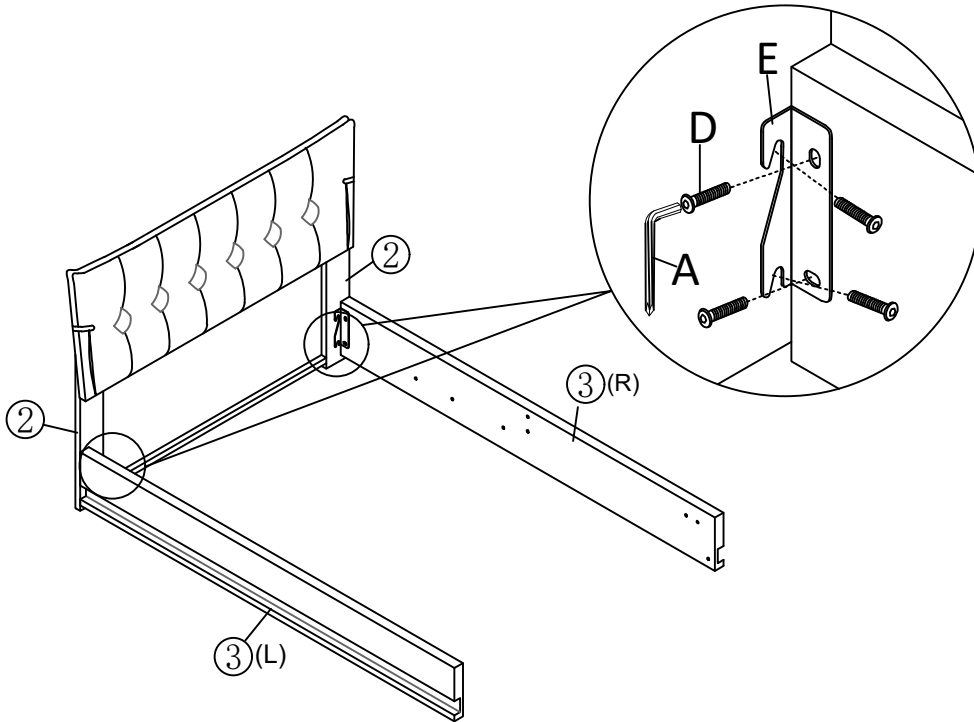
### Step 2

A	C	D
		 M8X18mm
	2PCS	6PCS


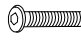




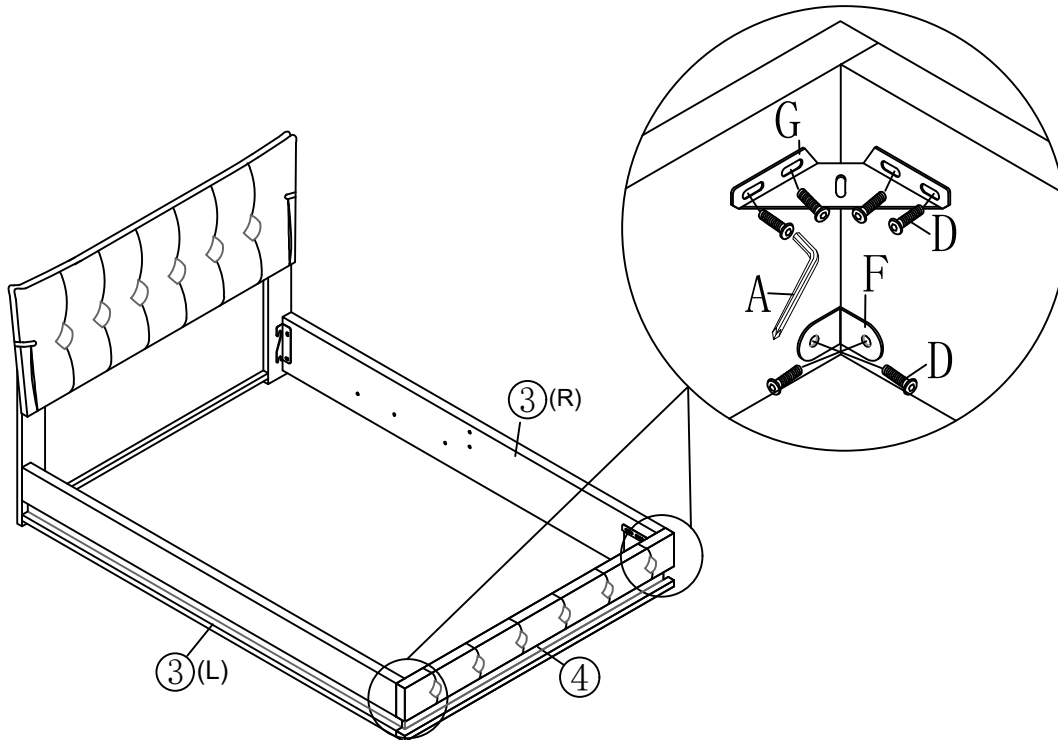
# Step 3

<p>A</p> 	<p>D</p>  <p>M8X18mm</p> <p>8PCS</p>	<p>E</p>  <p>2PCS</p>
---	---	--


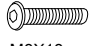



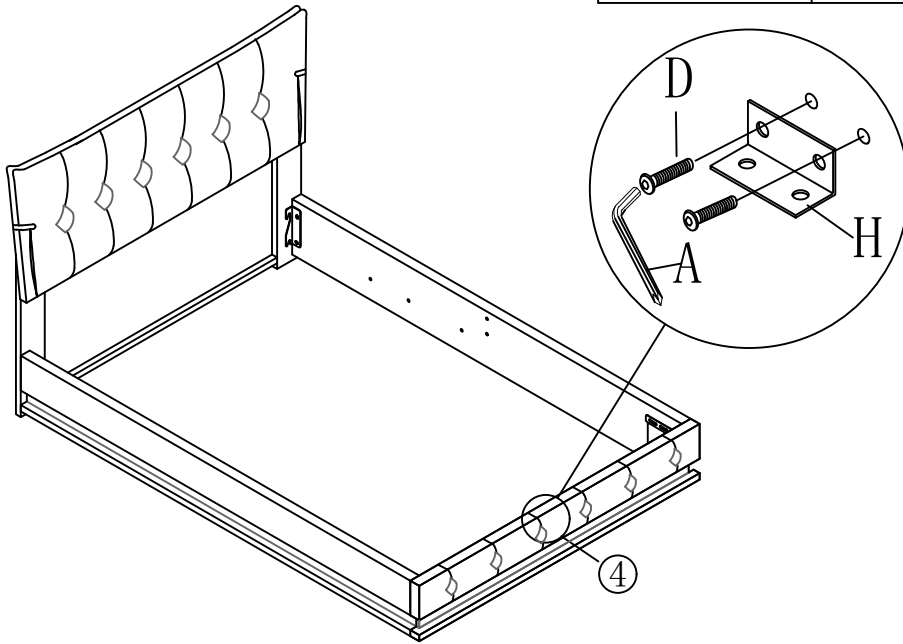
# Step 4

<p>A</p> 	<p>D</p>  <p>M8X18mm</p> <p>12PCS</p>	<p>F</p>  <p>2PCS</p>	<p>G</p>  <p>2PCS</p>
--	---	--	--


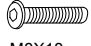



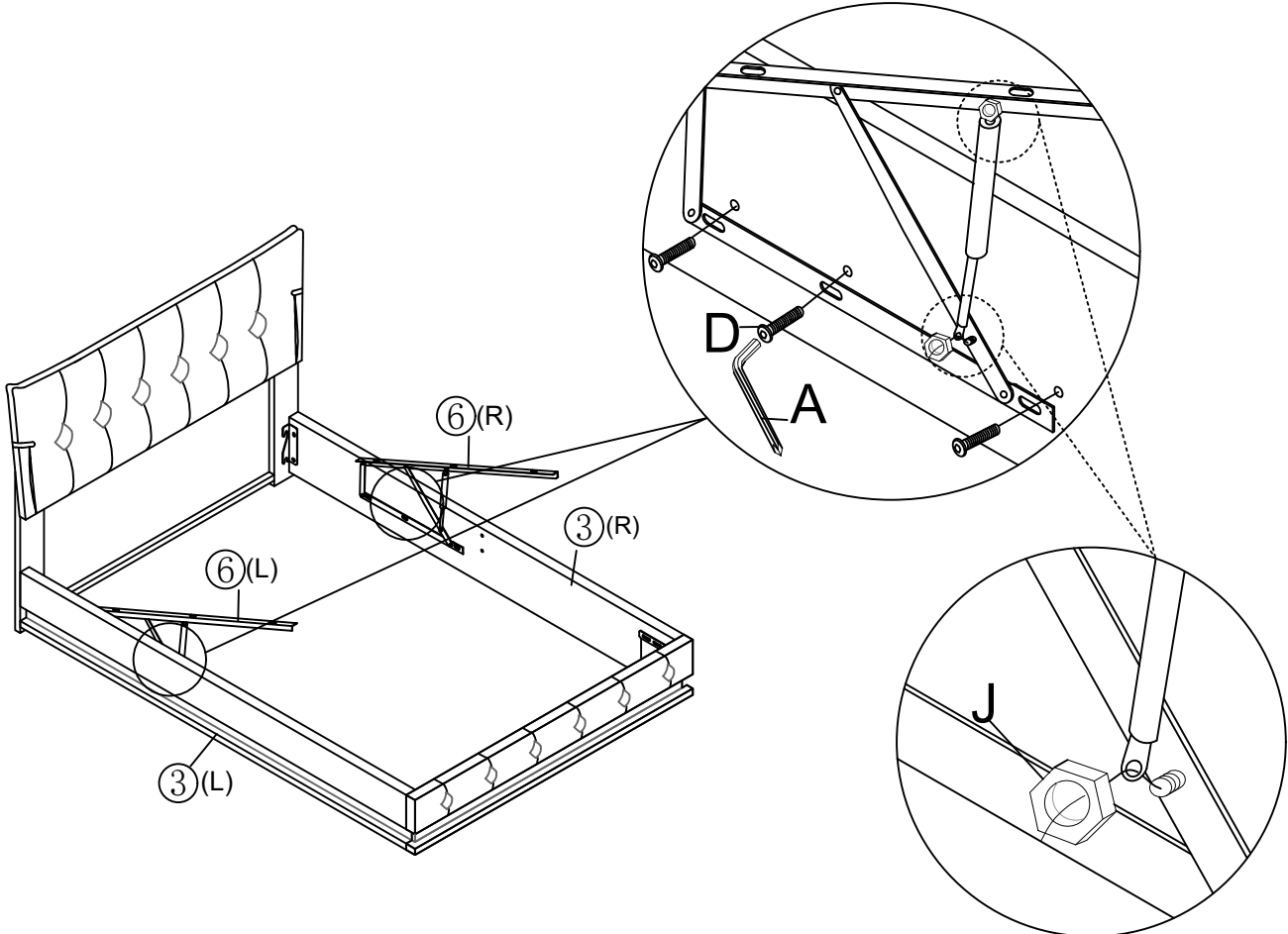
# Step 5

A	D	H
	 M8X18mm	
	2PCS	1PC





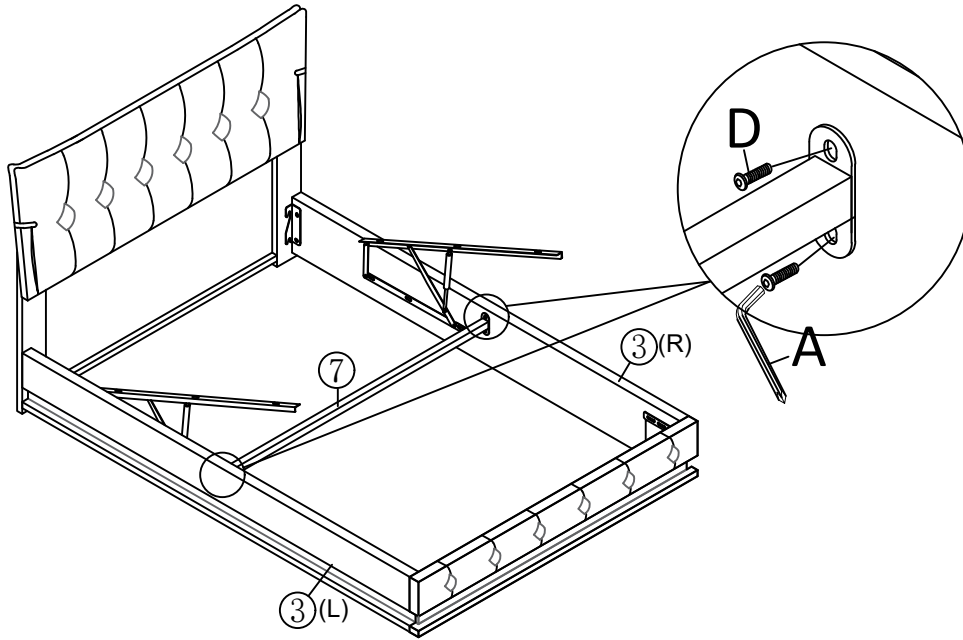
# Step 6

A	D	J
	 M8X18mm	
	6PCS	4PCS

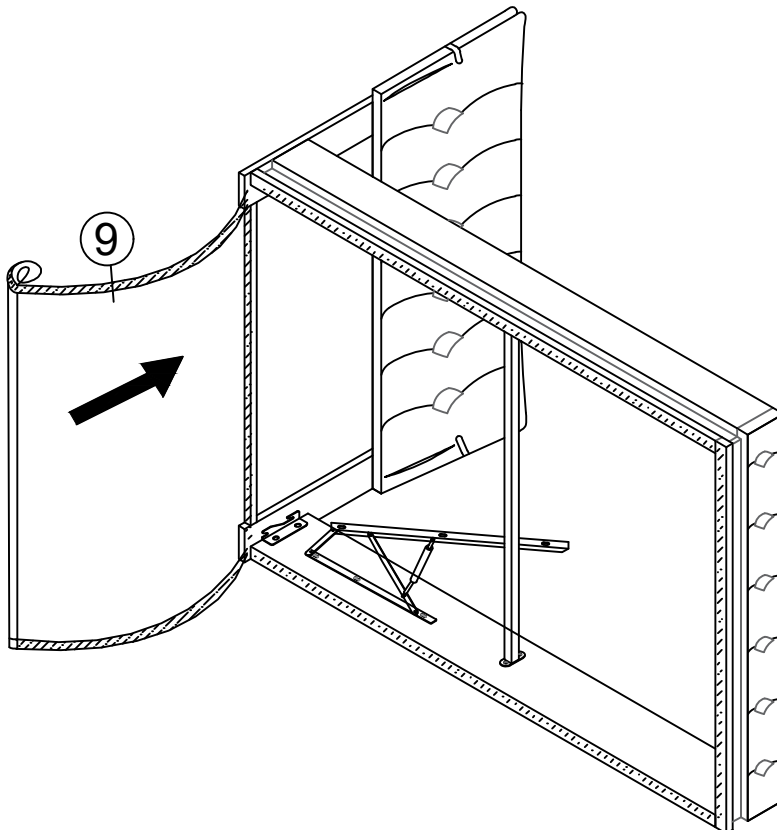


# Step 7

A		D	
			M8X18mm
		4PCS	


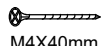


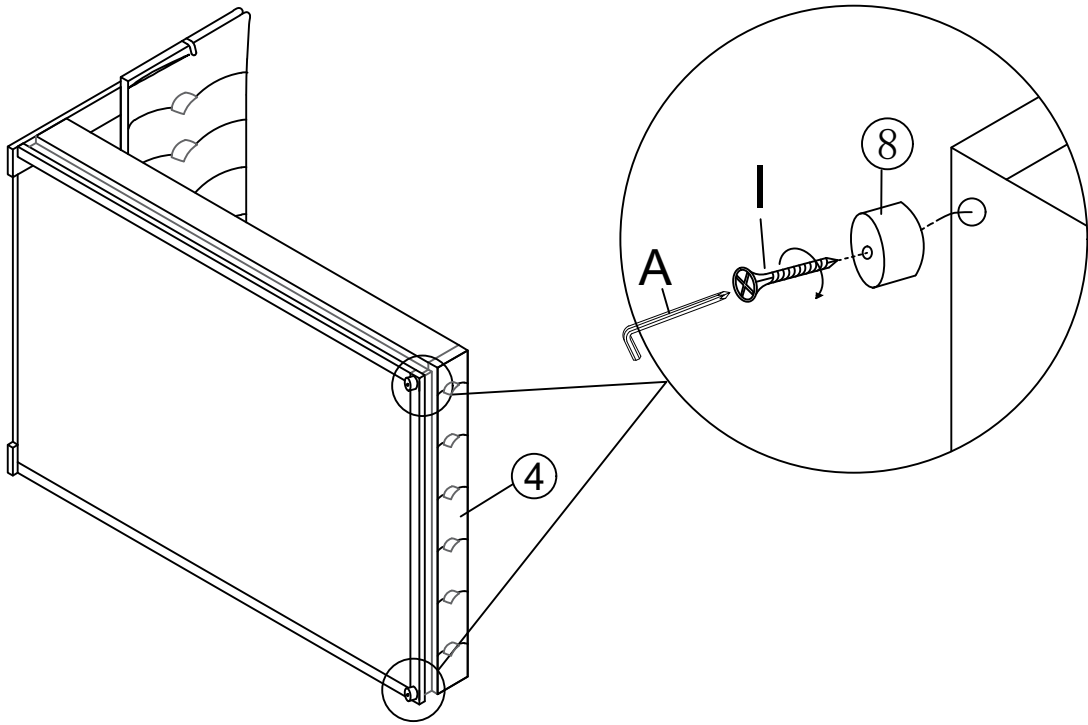
# Step 8




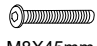




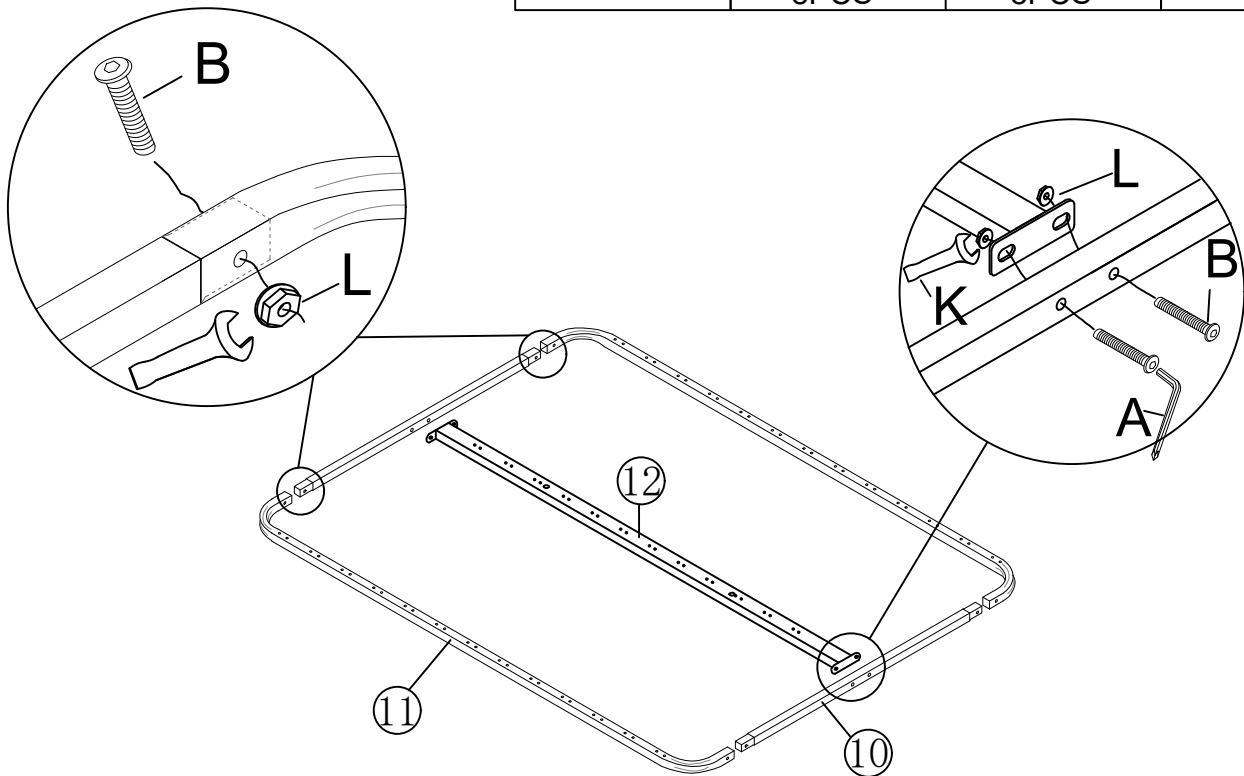
# Step 9

A	I
	 M4X40mm
2PCS	





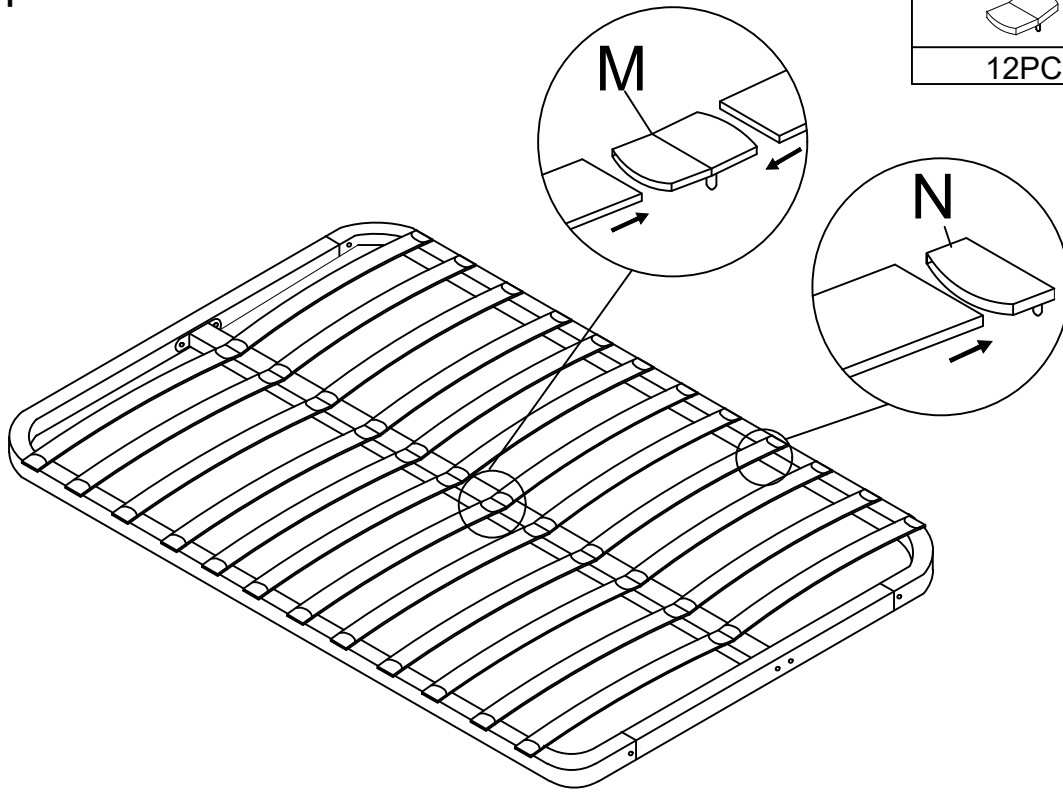
# Step 10

A	B	L	K
	 M8X45mm 8PCS	 8PCS	 1PC


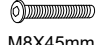




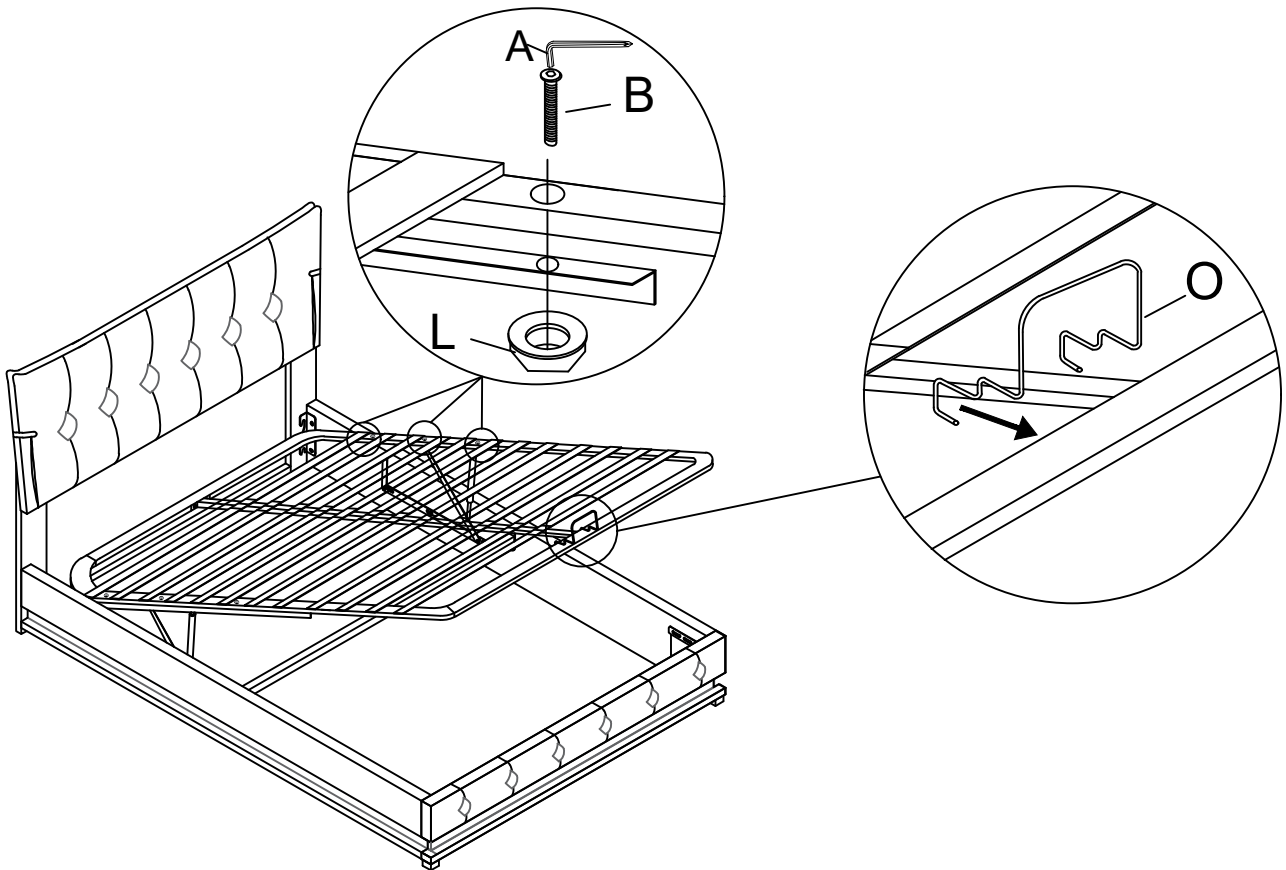
# Step 11

M		N	
	12PCS		24PCS




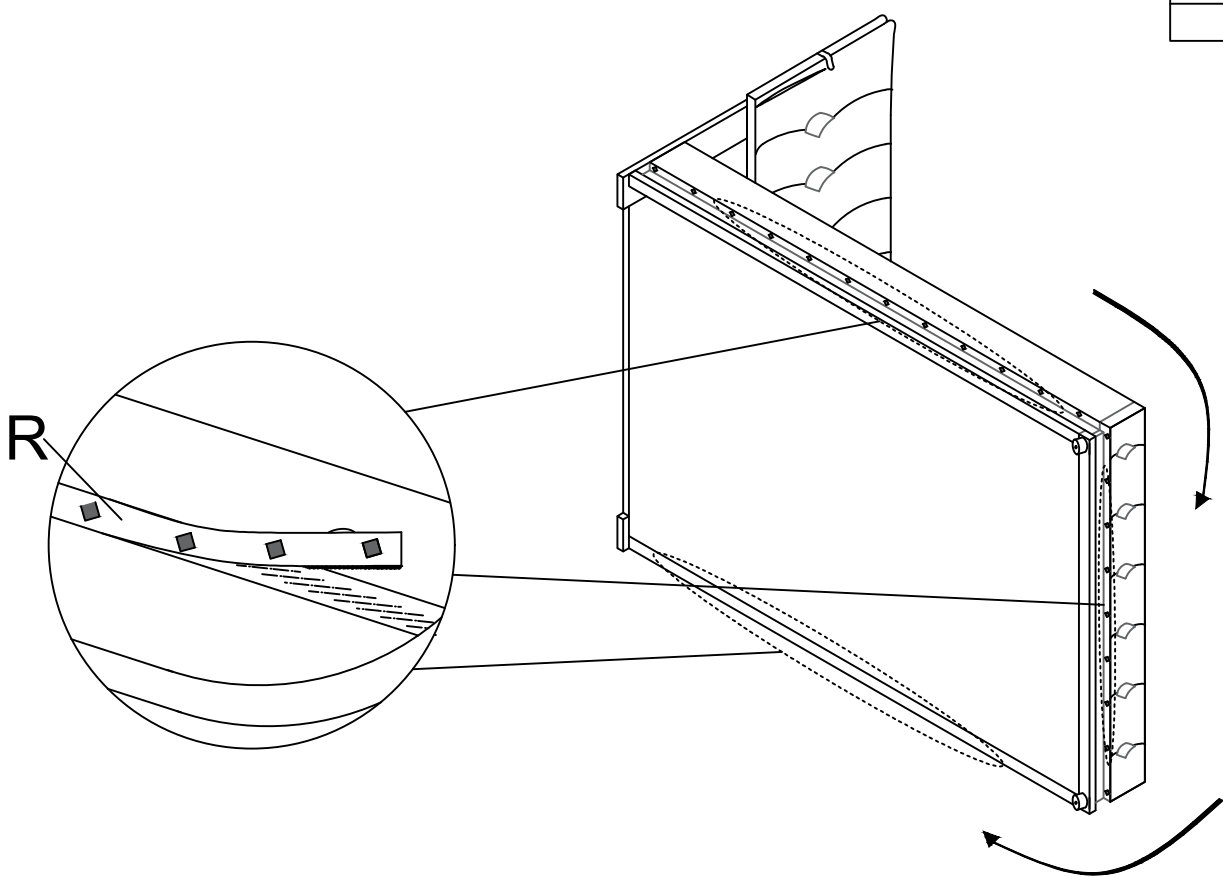
# Step 12

A		B	 M8X45mm	L		O	
	6PCS		6PCS		6PCS		1PC





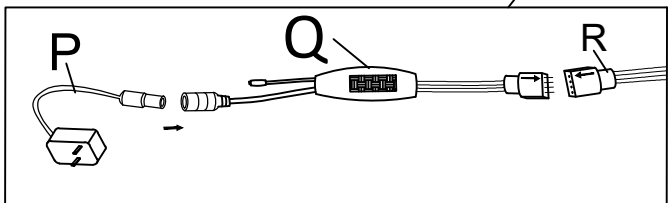
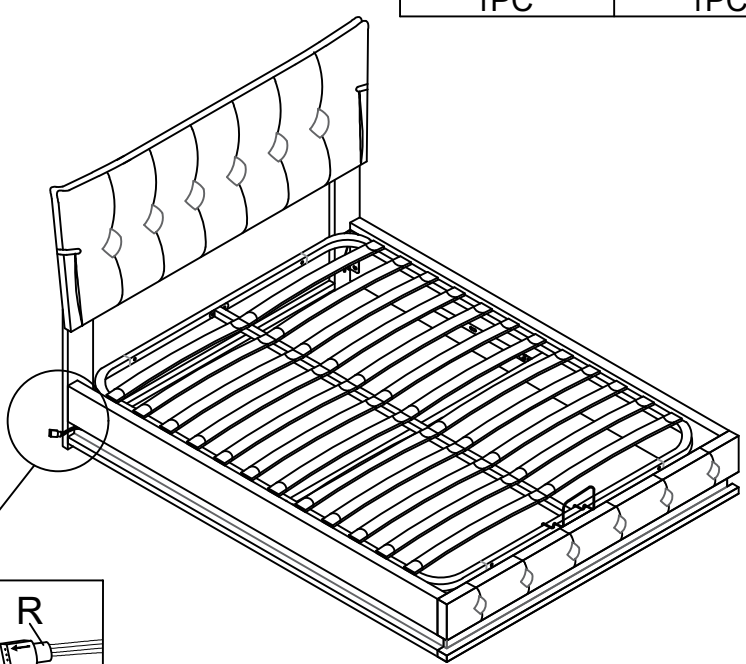
# Step 13

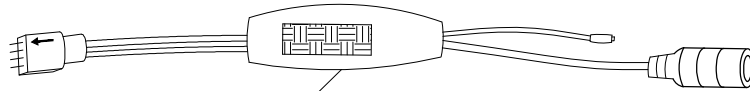
R

1PC



# Step 14

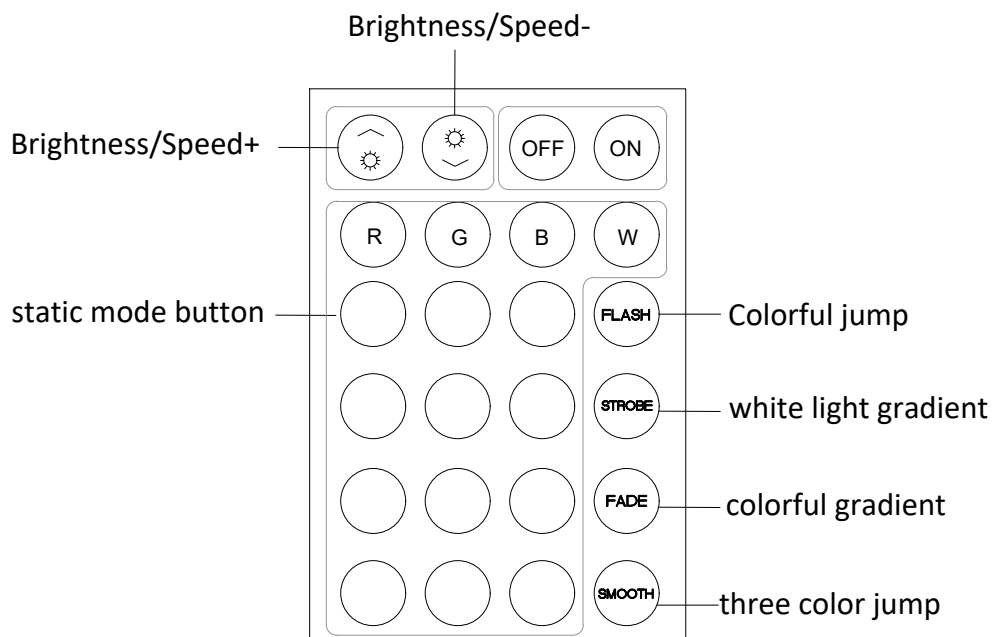
P	Q
	
1PC	1PC





**NOTICE:**

You can scan the QR code here and download an app that can control the color of the light strip like a remote control. When your phone plays music through the app, the color of the light strip will also change according to the strength of the music.



**NOTICE:**

When you use the remote control board to control the color of the light, Please remove the clear plastic card first, then please be sure to point the remote control at the color controller.