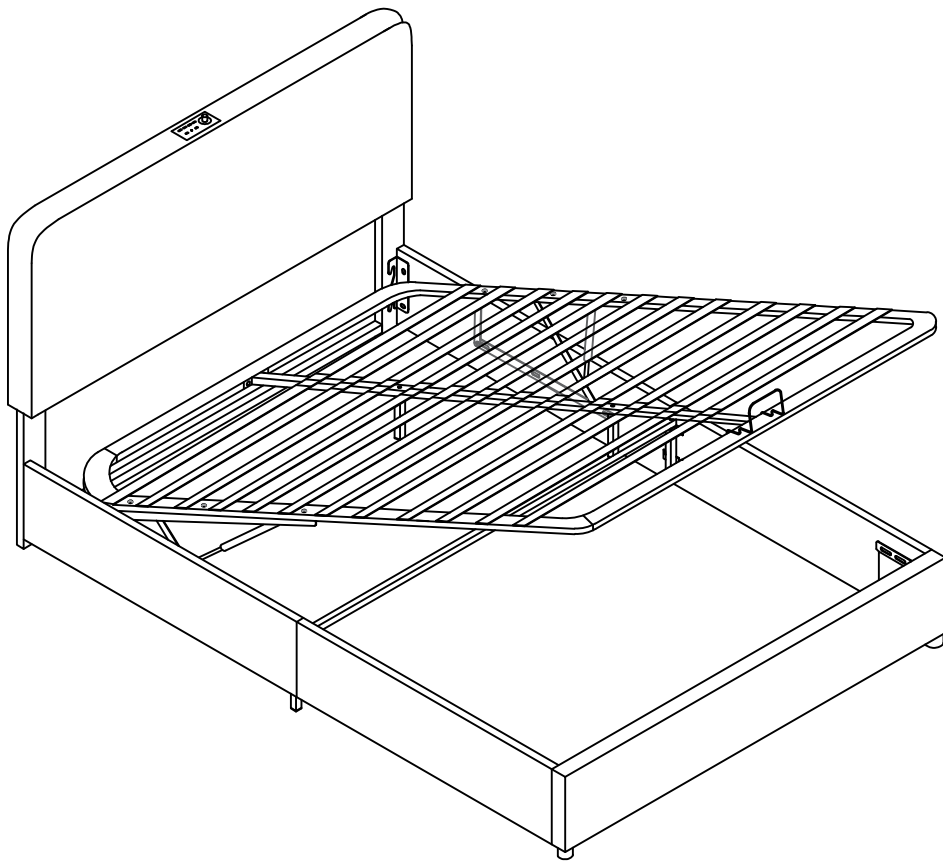


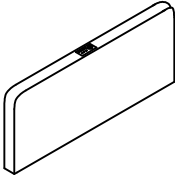

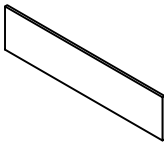
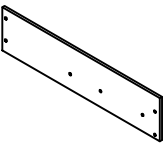
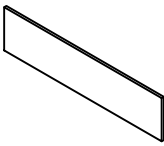
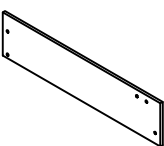
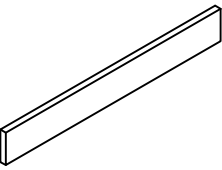
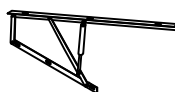




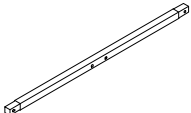
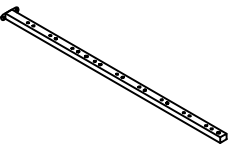
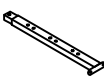

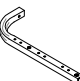
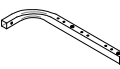
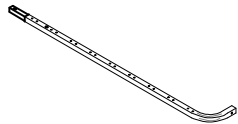
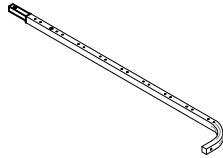
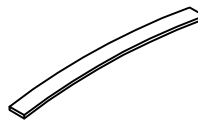
ASSEMBLY INSTRUCTION



N701P170778






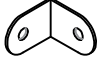
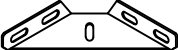






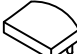

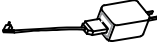



Part List + Hardware List

N701P170778

<p>1</p>  <p>Head board-1pc</p>	<p>2</p>  <p>Head board legs -2pcs</p>	<p>3L</p>  <p>Side rail-1pc</p>
<p>3R</p>  <p>Side rails-1pc</p>	<p>4L</p>  <p>Side rails-1pc</p>	<p>4R</p>  <p>Side rails-1pc</p>
<p>5</p>  <p>Foot board -1pc</p>	<p>6L</p>  <p>Gas lift -1pc</p>	<p>6R</p>  <p>Gas lift -1pc</p>
<p>7</p>  <p>Side rails support legs-2pcs</p>	<p>8</p>  <p>Head board cross bar-1pc</p>	<p>9</p>  <p>Cross bar-1pc</p>
<p>10</p>  <p>Metal frame cross bar-2pcs</p>	<p>11</p>  <p>Long Metal frame middle bar-1pc</p>	<p>12</p>  <p>Short Metal frame middle bar-1pc</p>
<p>13</p>  <p>Middle support leg-2pcs</p>	<p>14L</p>  <p>Short Metal frame side bar-1pc</p>	<p>14R</p>  <p>Short Metal frame side bar-1pc</p>
<p>15L</p>  <p>Long Metal frame side bar-2pcs</p>	<p>15R</p>  <p>Long Metal frame side bar-2pcs</p>	<p>16</p>  <p>Slat-24pcs</p>

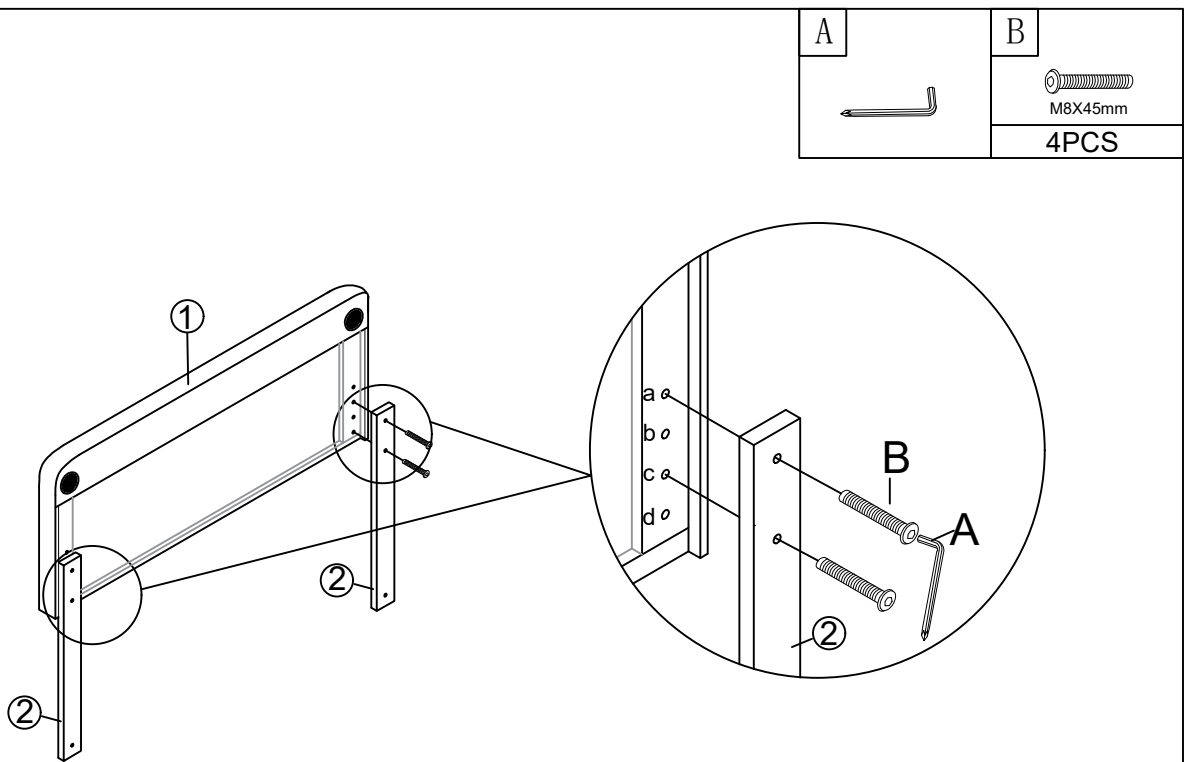
Hardware List

N701P170778

A  20*70mm	B  Ø8*45mm	C  156*24*2mm
Allen Key(1pc) Bolts(22pcs) Three hole iron(2pcs)		
D  Ø8*18mm	E  150*40mm	F  35*47*47mm
Bolts(42pcs) Hinge(2pcs) Little "7" Connector(2pcs)		
G  Metal Corner(2pcs)	H  75*33*33mm "7" Connector(1pc)	I  H:40mm Legs(2pcs)
J  Ø12mm Nuts(4pcs)	K  70*23mm Spanner(1pc)	L  Ø15mm Nuts(14pcs)
M  55*52*11mm Middle slats cap(12pcs)	N  55*27*11mm End slats cap(24pcs)	O  140*118mm Stopper(1pc)
P  Music adapter(1pc)	Q  AUX Line (1pc)	R  LED (1pc)
S  Remote control(1pc)		

Remark: We recommend you assemble your bed in the flat ground.

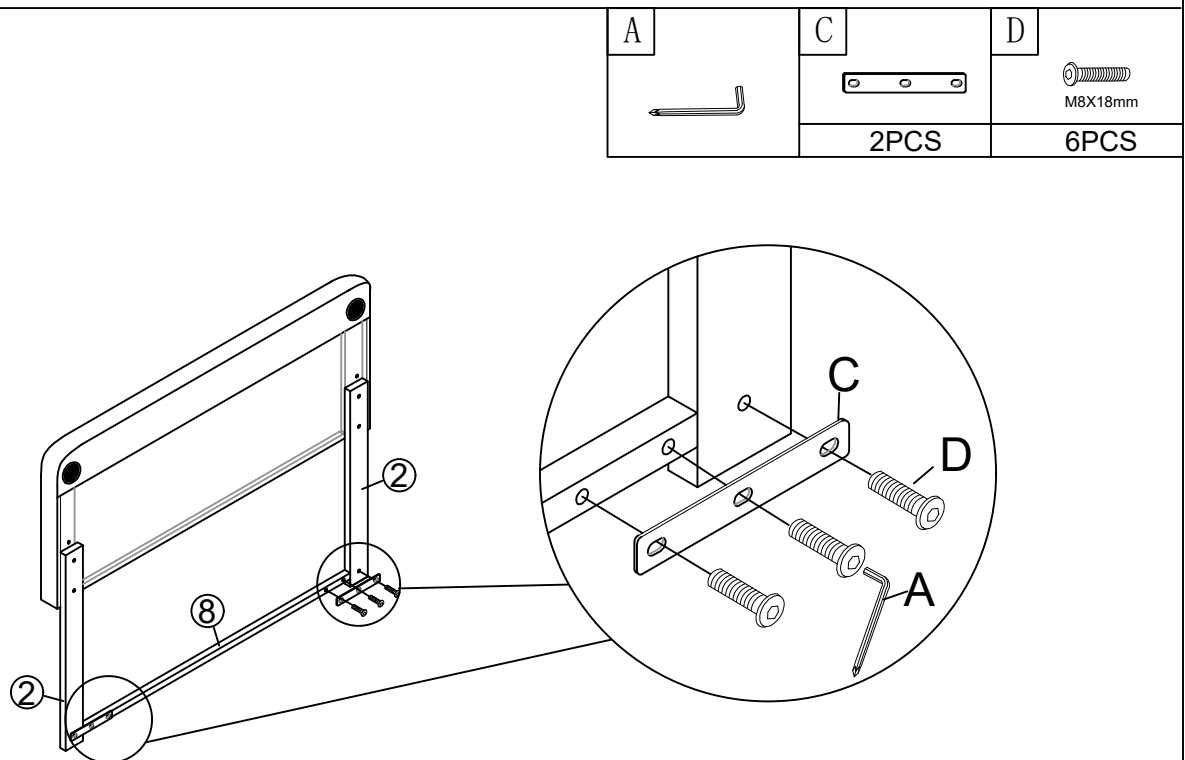
Step 1





The height of the headboard can be adjusted according to the thickness of your mattress.

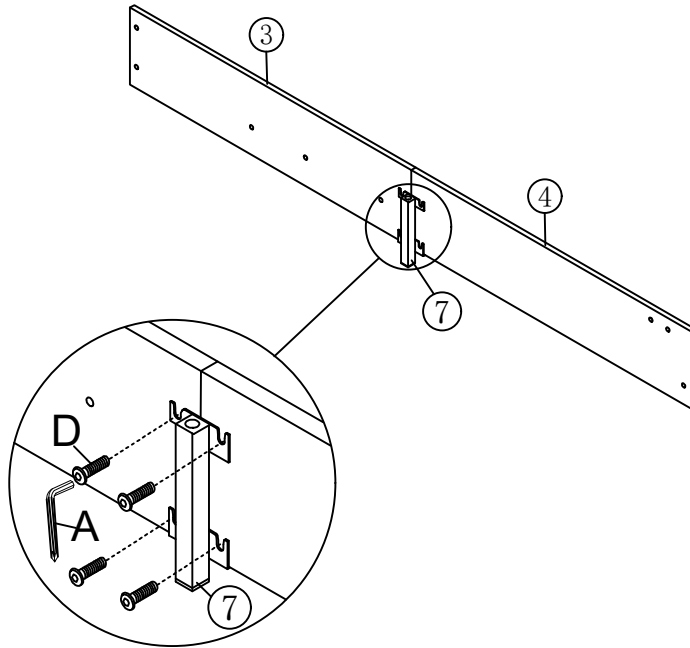
- 1: If your mattress is 10", please choose the screw hole a and c.
- 2: If your mattress is 12", please choose the screw hole b and d.

Step 2


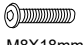



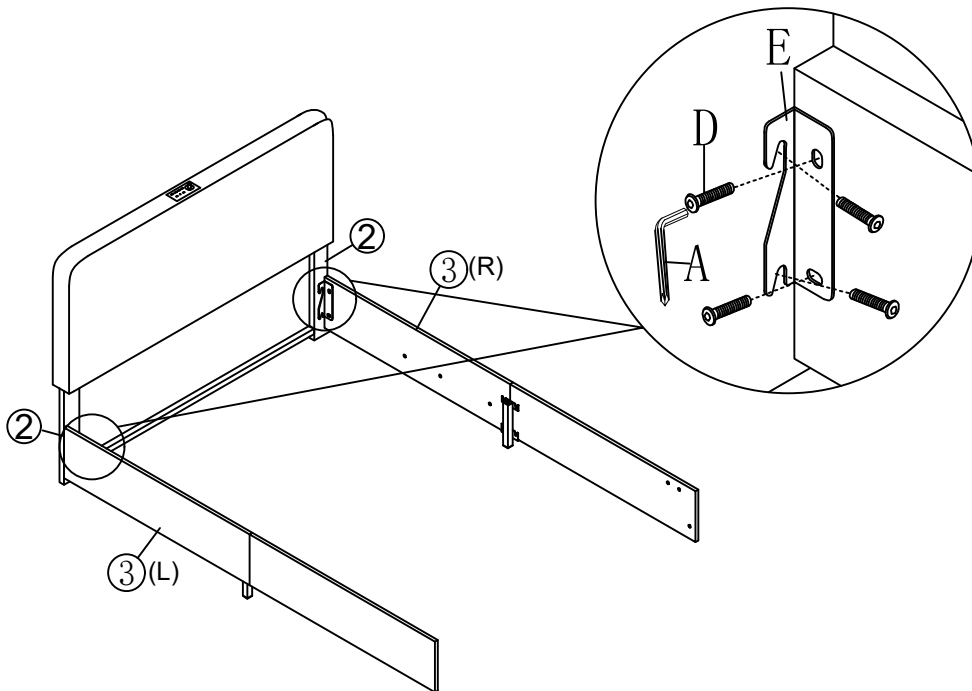
Step 3 x2

<p>A</p> 	<p>D</p>  <p>M8X18mm</p> <p>8PCS</p>
--	---




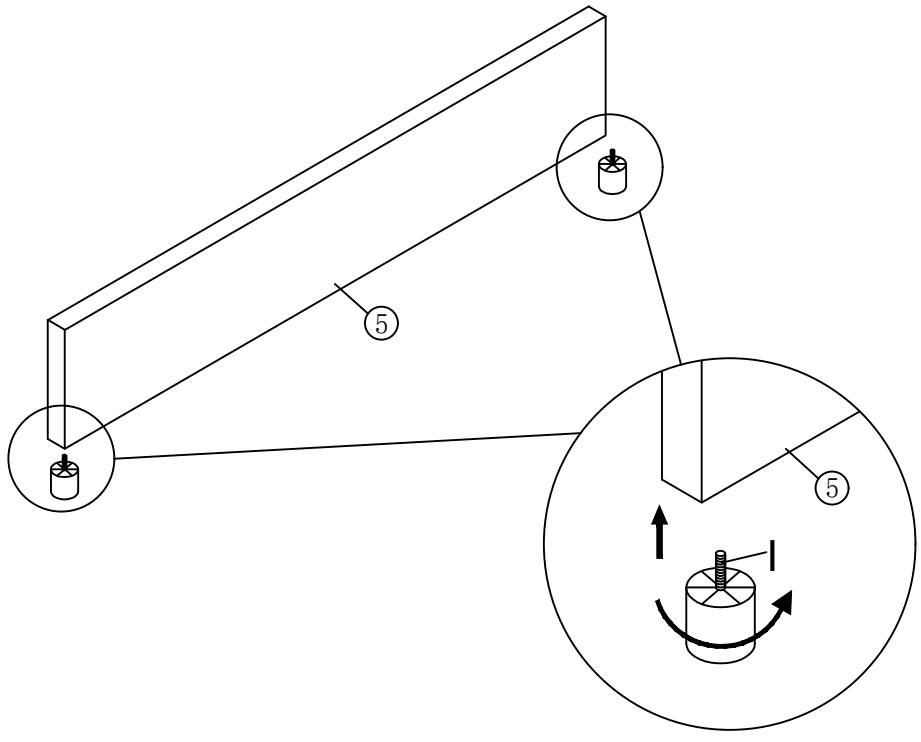
Step 4

<p>A</p> 	<p>D</p>  <p>M8X18mm</p> <p>8PCS</p>	<p>E</p>  <p>2PCS</p>
---	---	--



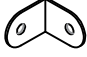
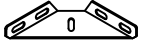


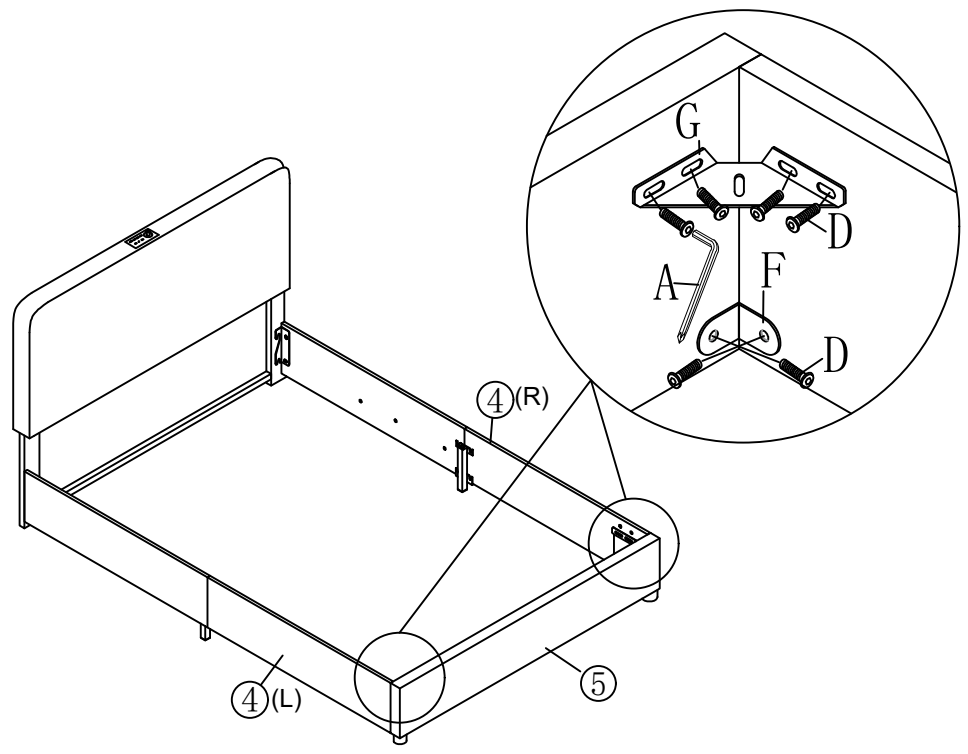
Step 5

I	
2PCS	


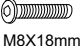
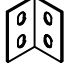


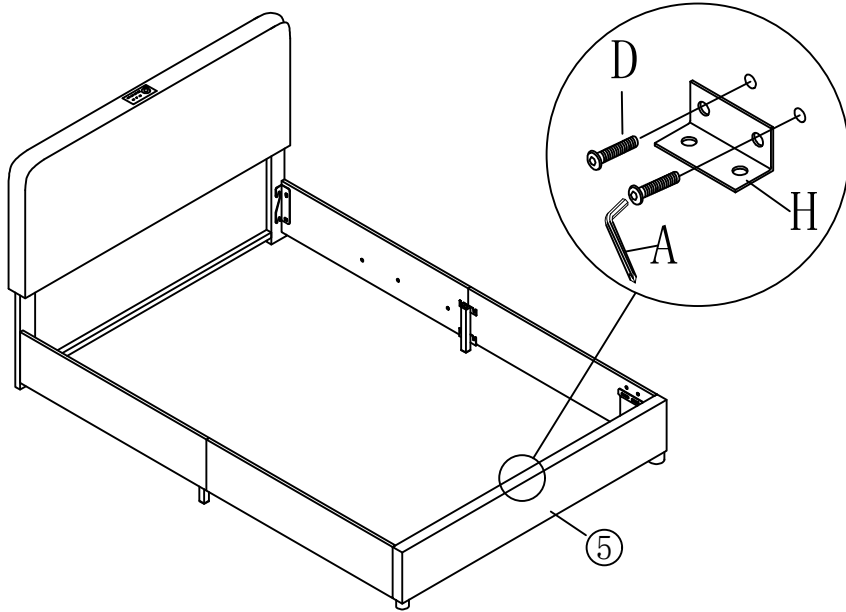
Step 6

A	D	F	G
	 M8X18mm		
	12PCS	2PCS	2PCS




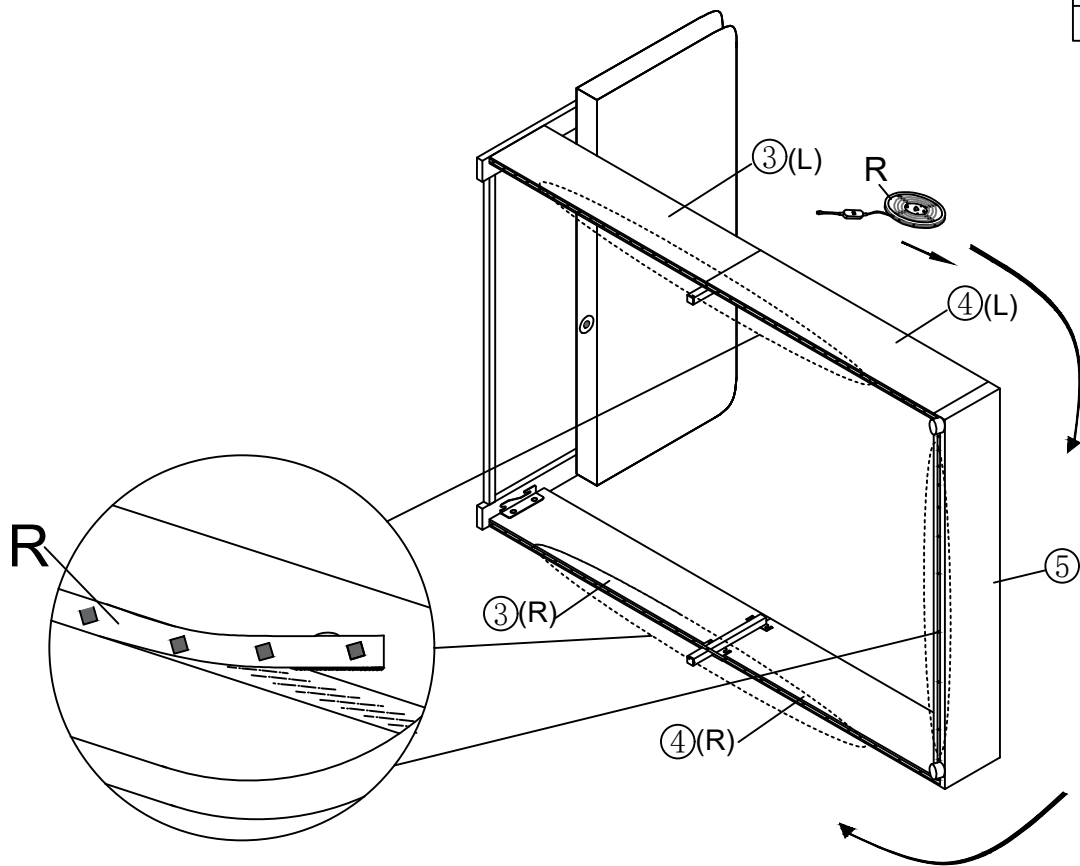
Step 7

A	D	H
	 M8X18mm	
	2PCS	1PC






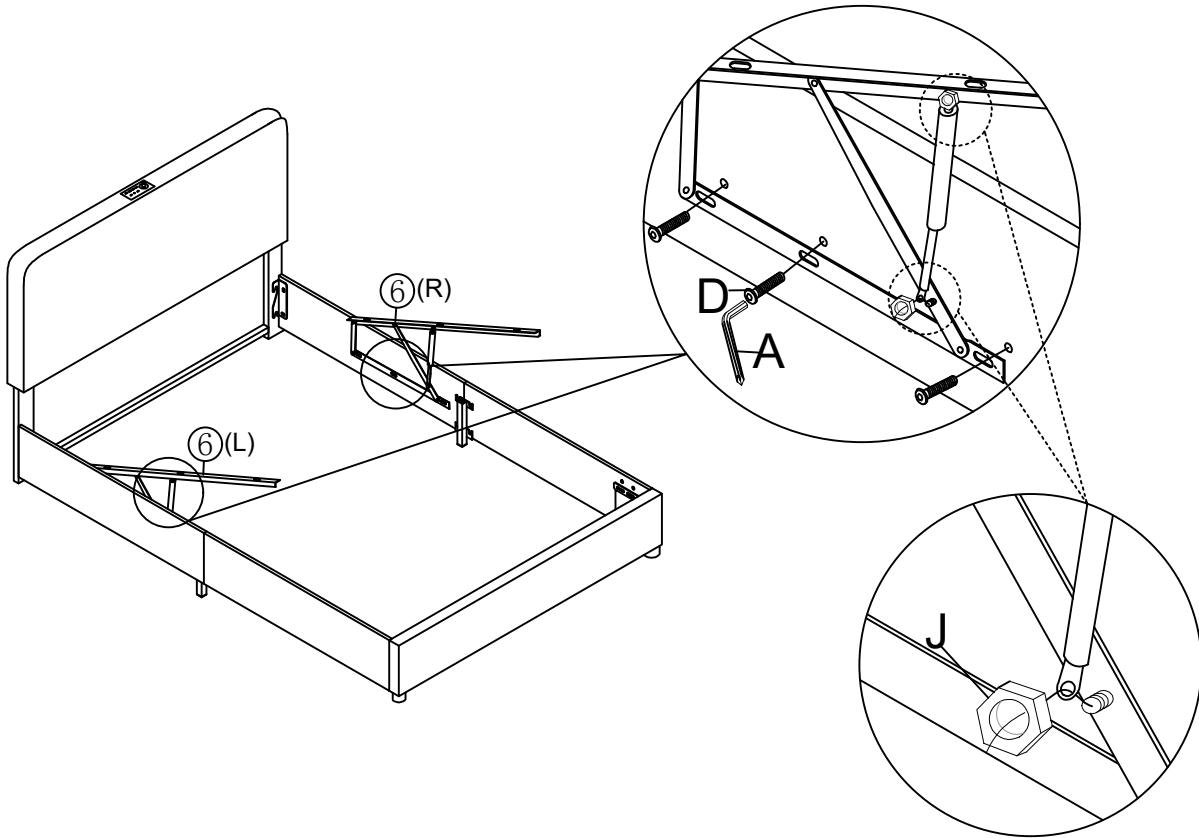
Step 8

R

1PC


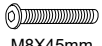


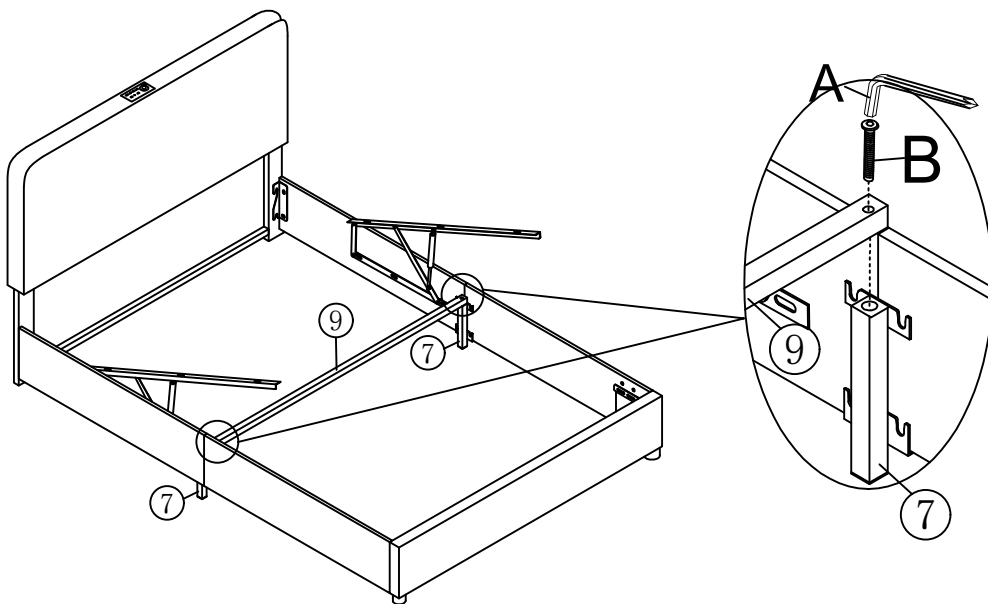
Step 9

A	D	J
	 M8X18mm	
	6PCS	4PCS

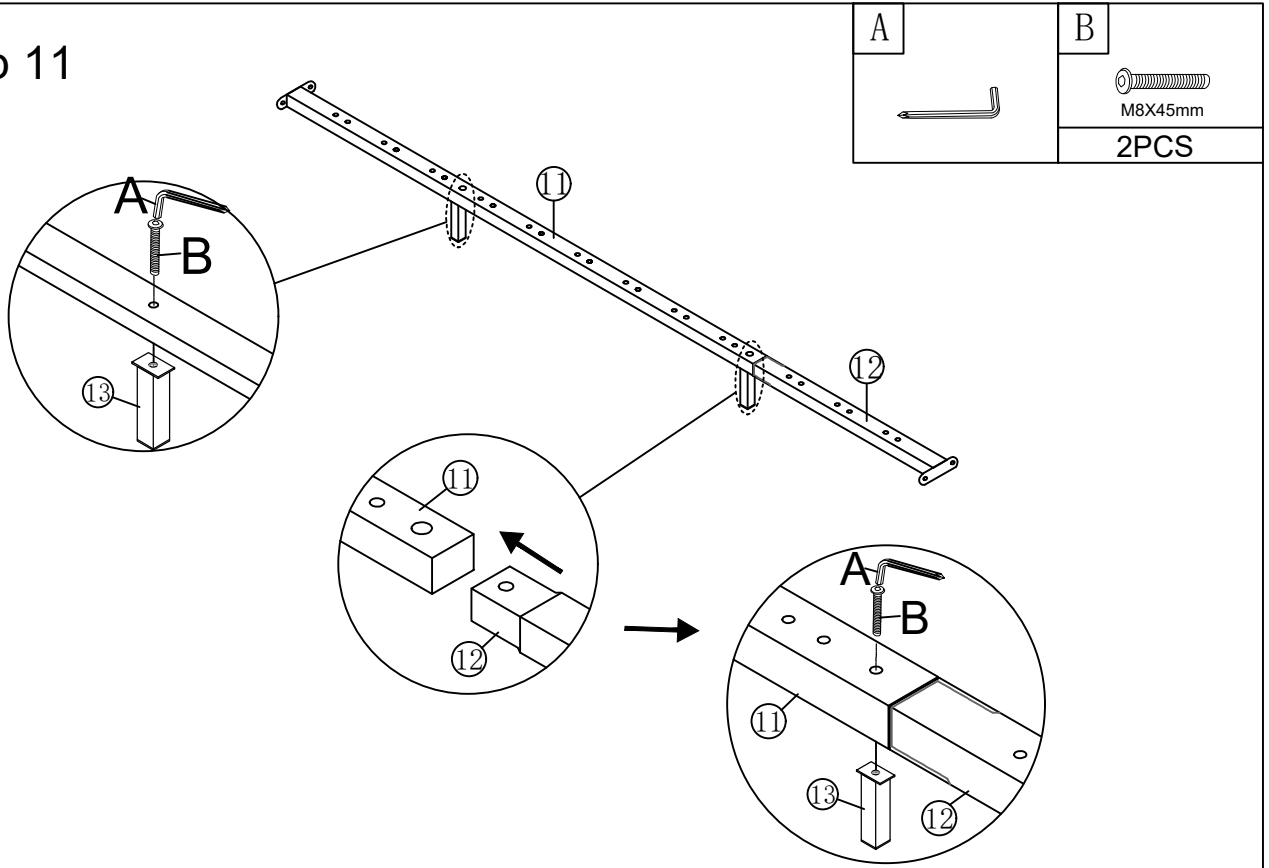


Step 10

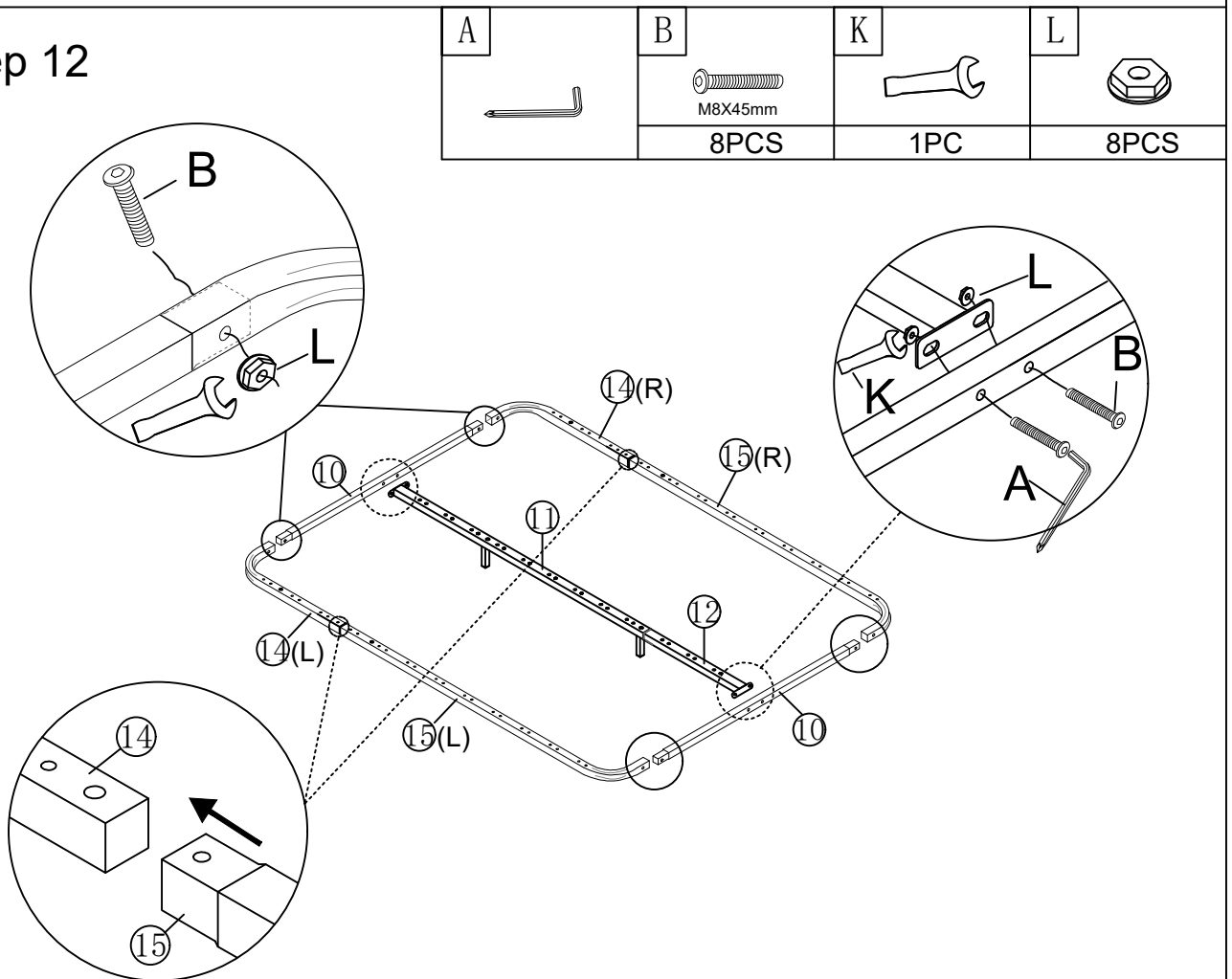
A	B
	 M8X45mm
	2PCS







Step 11

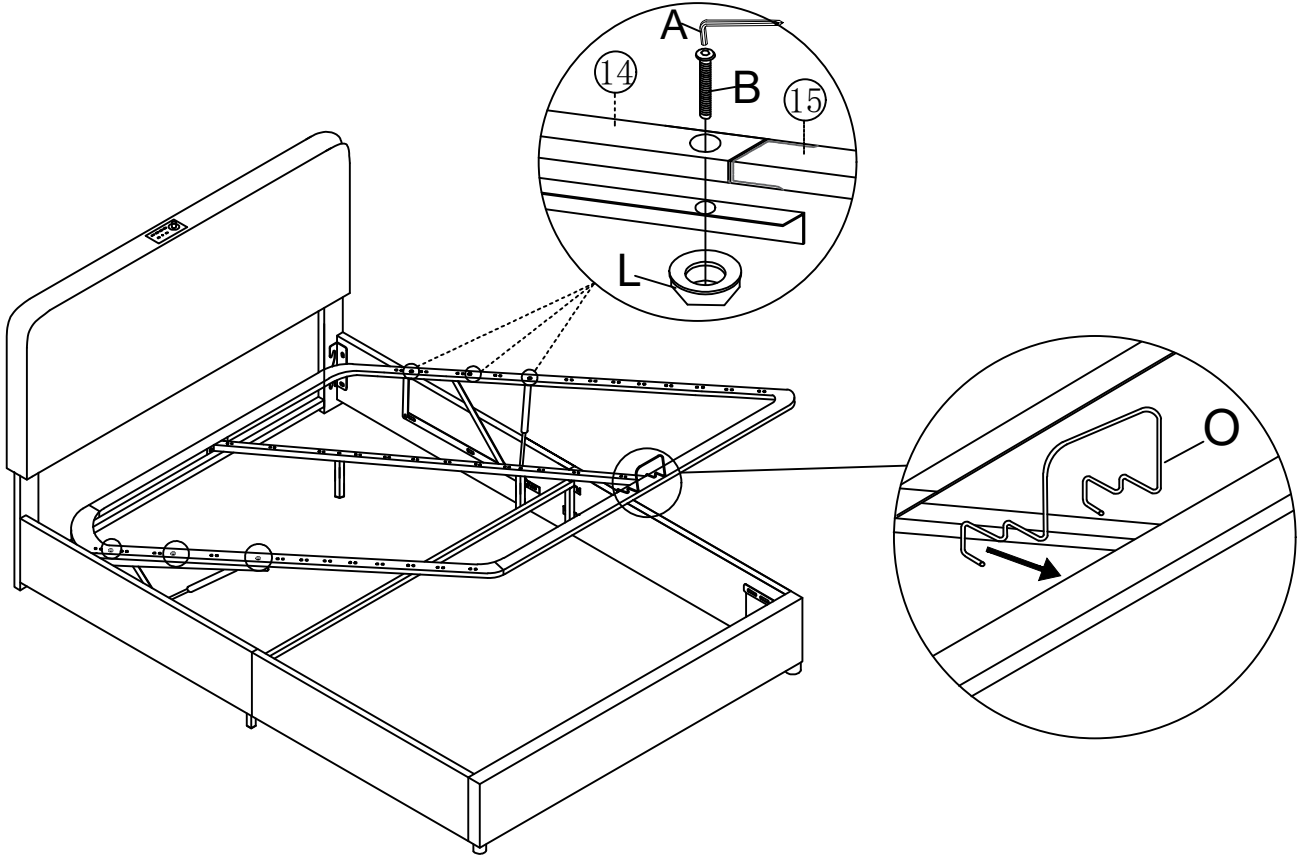


Step 12





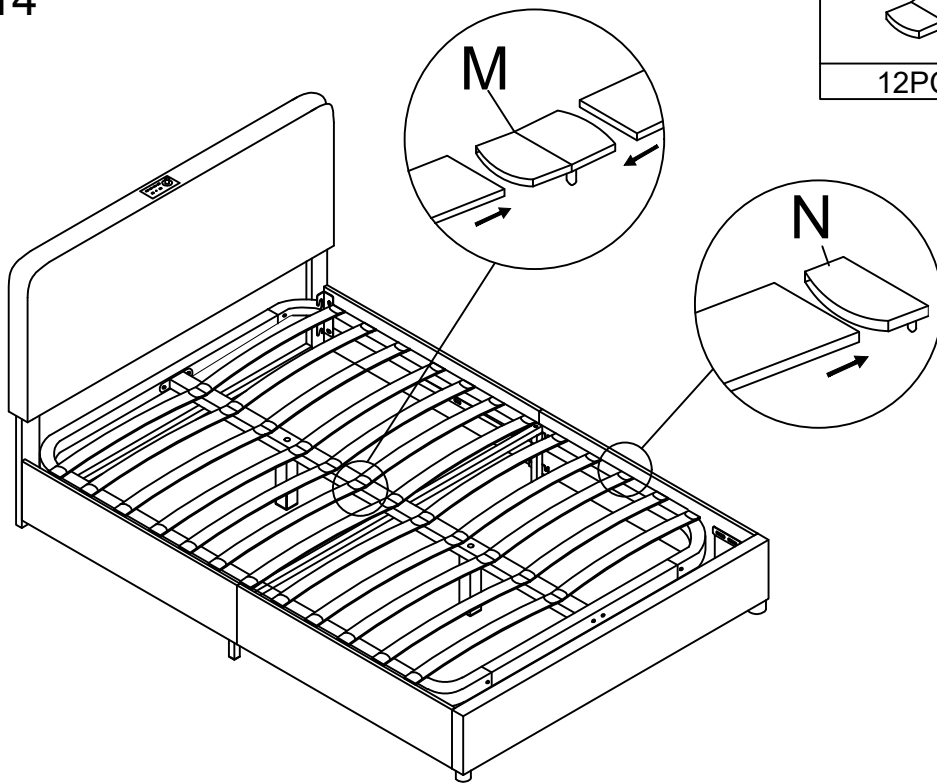
Step 13

<p>A</p> 	<p>B</p>  <p>M8X45mm</p> <p>6PCS</p>	<p>L</p>  <p>6PCS</p>	<p>O</p>  <p>1PC</p>
--	--	--	---



Step 14

<p>M</p>  <p>12PCS</p>	<p>N</p>  <p>24PCS</p>
---	---

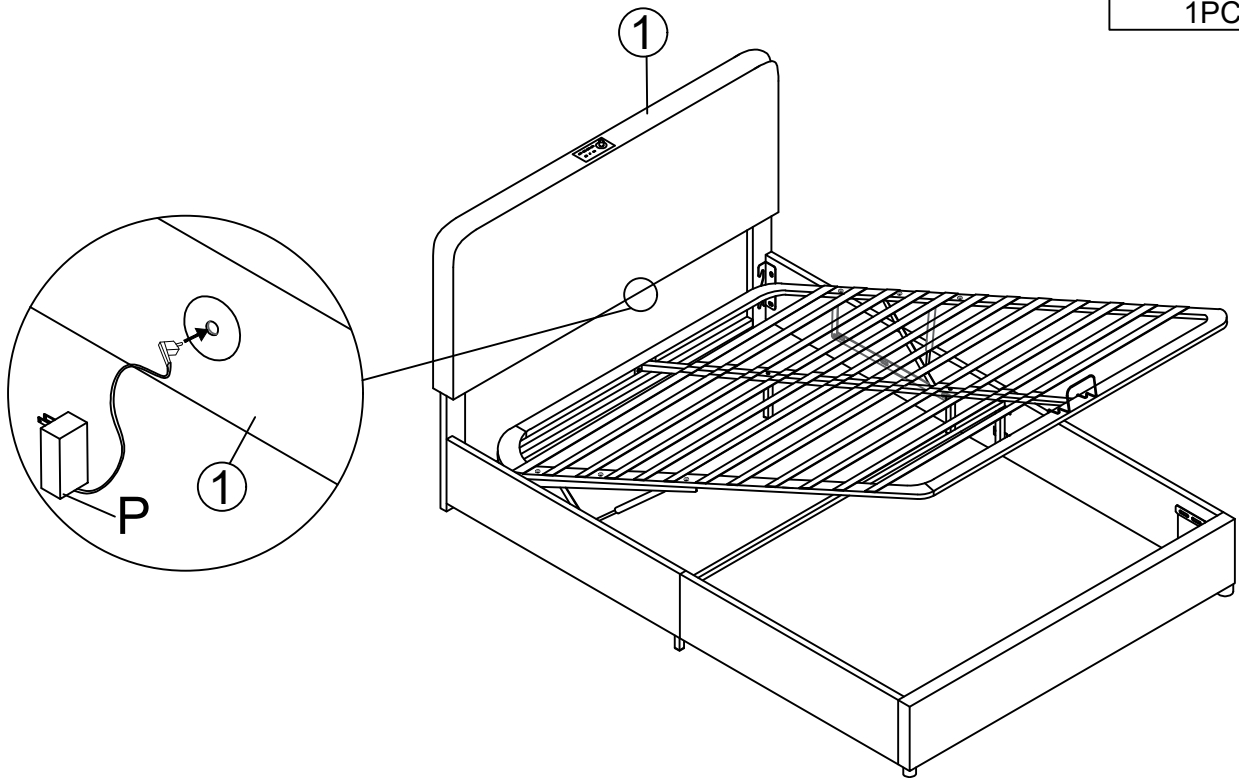


Step 15

P

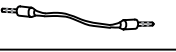


1PC

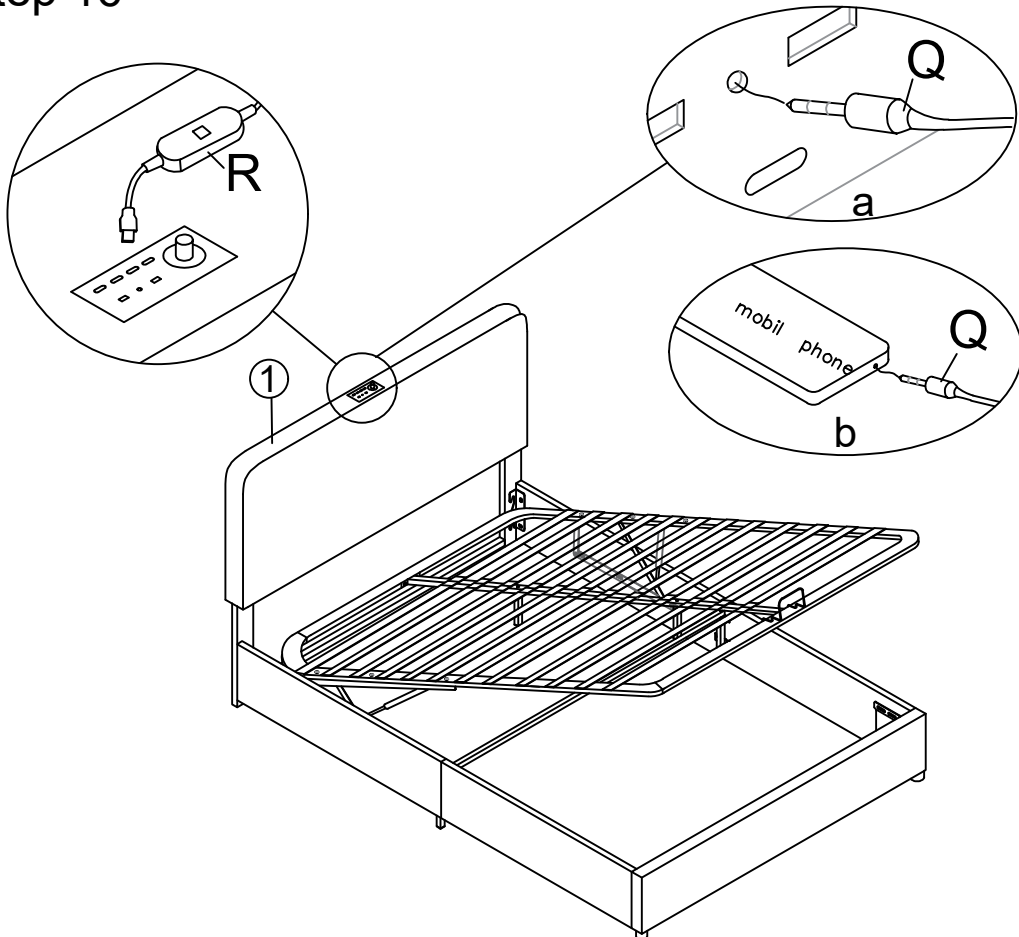


Step 16

Q



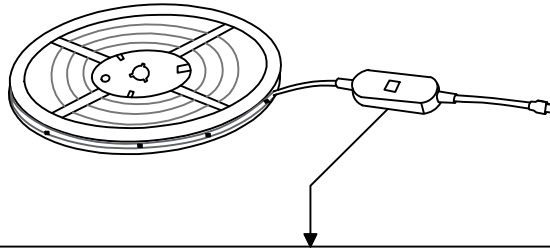
1PC



S

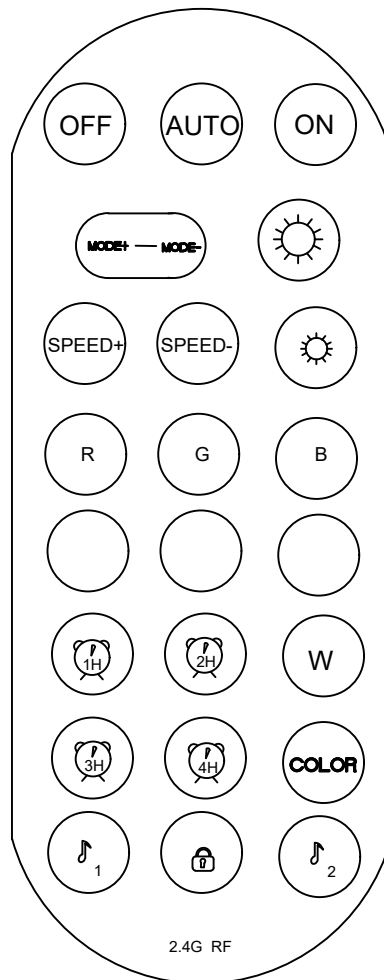


1PC



NOTICE:

You can scan the QR code here and download an app that can control the color of the light strip like a remote control. When your phone plays music through the app, the color of the light strip will also change according to the strength of the music.



Bluetooth speaker Startup instructions

Find the audio power interface and plug in the power supply (5V2A). After connecting the power supply, turn on the main controller-4 .turn on the power by Turning the volume knob to the right to hear a “click” . turn off the power by Turning the volume knob to the left to hear a “click” .when The indicator light is on, the default is Bluetooth mode (note the use of power supply: the audio power supply can only use the audio dedicated power supply 5V2A)

* Bluetooth mode instructions

1.The Bluetooth mode is set by default. After startup ,The voice prompt: "Bluetooth mode, waiting for connection", Turn on the phone settings to find Bluetooth. Open the search and pairing (device name:**Linon — poweLL**) connection. After The voice prompt "Bluetooth connected" ,you can play music. please pull out the audio cable / USB flash disk when using Bluetooth mode.

2. The indicator light is always on, if the device is turned off or not in the connecting range, the connection fails, you need to search again. The voice will prompt "Bluetooth disconnected"

3.when playing in Bluetooth mode, you can control the playing by pressing the “Previous track” / “next track” /”play” /” pause” on-screen buttons on your mobile phone.

* USB mode instructions

1. Please unplug the audio cable first and then plugged in the USB device. The file will be loaded (file loading completed) and the playback indicator will flash automatically for 1 second, and the voice prompts "USB play mode"

2. In the "USB" playing state, short press the "play / pause" button to enter the pause state, the system will automatically mute. The indicator light is always on.

3. Short press the "Previous track" and "Next track" buttons on the panel to select the previous or the next song.

* AUX mode instructions

1. Please pull out the USB device precede Inserting the 3.5 audio cable to switch to the "AUX" state, the blue indicator flashes for 3 seconds, and the voice prompts "external audio mode".
2. In the "AUX" playing state, press "Any key" the system will be silent, you need to pull out the 3.5 audio cable before the next operation.
3. In AUX mode, playing can only be controlled by the volume of the source device.

Problem: :	Solution
No sound	The volume setting is too low or the speakers are not well connected. Please check the volume of the phone / sound knob and the power supply wire
Cannot turn on	The power supply is not well plugged in. If it is confirmed that there is a problem with the power supply, replace the power supply. If there is no problem with the power supply, the control box may be faulty. Replace the control box
The device does not respond	Please turn the power off and restart it, check whether the audio power is connected, whether the Bluetooth model is connected to 916, and the USB device / AUX should be connected separately
The buttons does not work	please try again after power off, do not press hard, check if there is any foreign matter or water, please restart the machine and try again.
music stuttering	Make sure the buttons are clean. Do not press the buttons hard
Bluetooth cannot be paired	Please turn off all other paired Bluetooth devices, restart and search. Check if the Bluetooth search device menu is full, delete useless Bluetooth and connect again. Search and connect Bluetooth model "Linon — poweLL"
No sound in AUX mode	Please make sure that the volume of the source device TV or mobile phone is turned on and available to play music , check whether the audio cable is plugged in steady . Please pull out the USB device when connecting to AUX
Remarks	Any other abnormalities, please contact the manufacturer for help