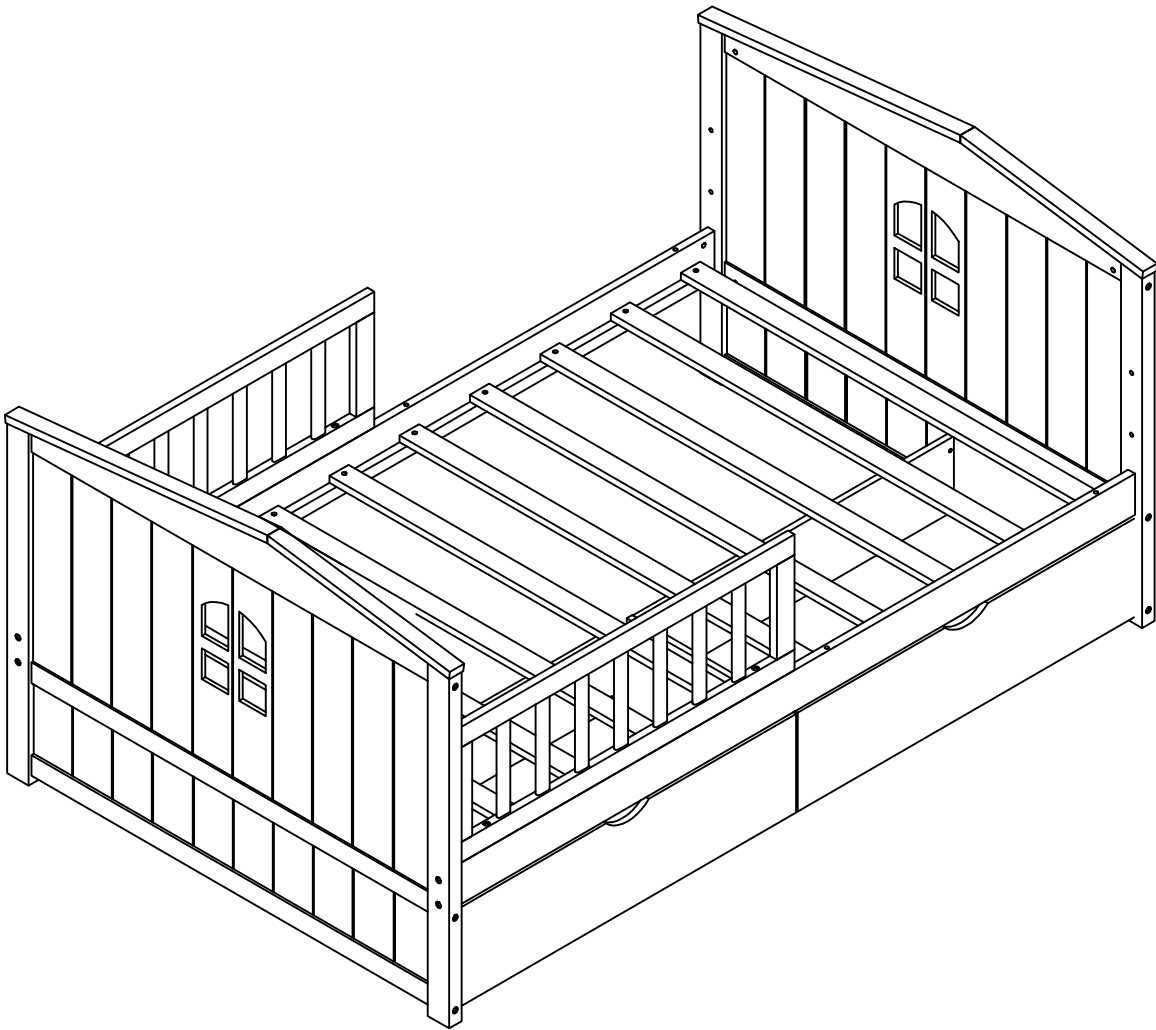
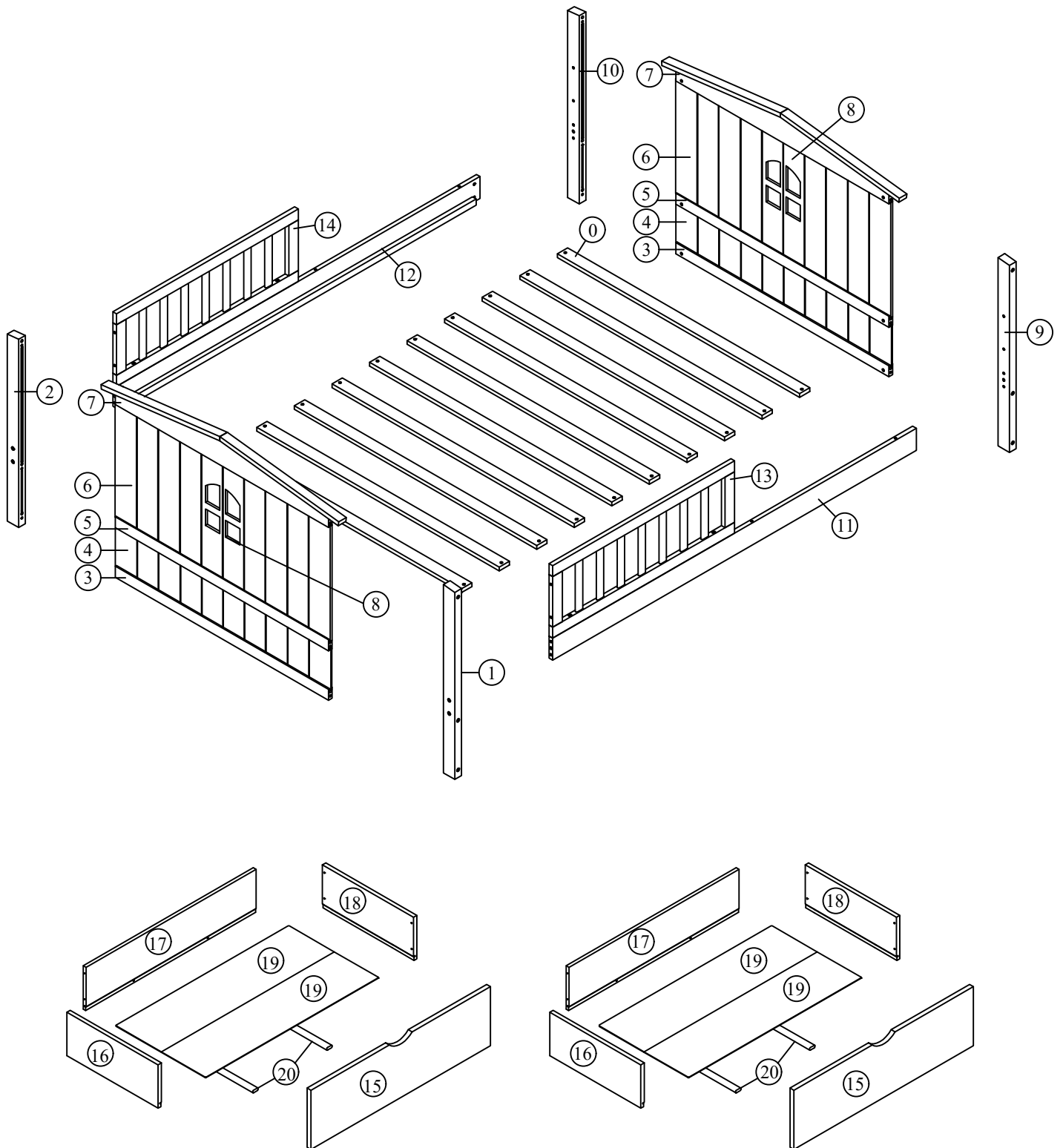


ASSEMBLY INSTRUCTION

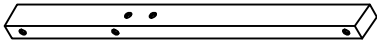
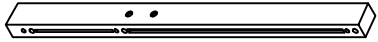
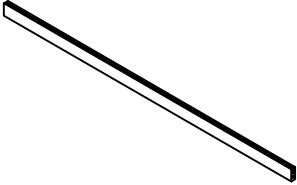
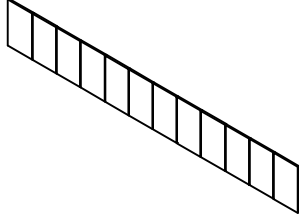
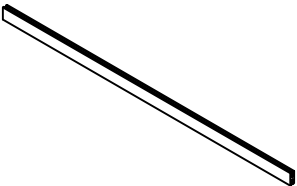
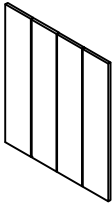
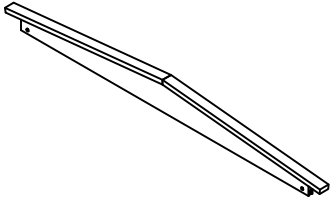

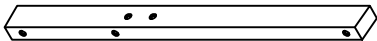

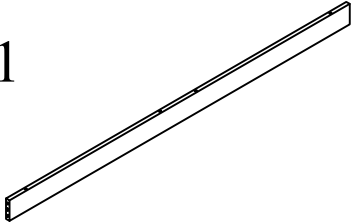
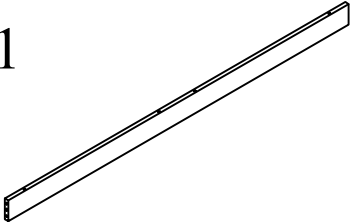
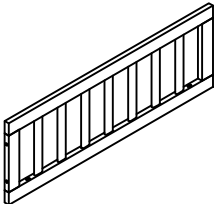
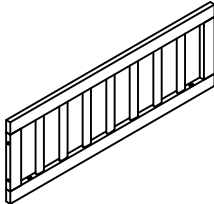
SKU CODE:WF531188



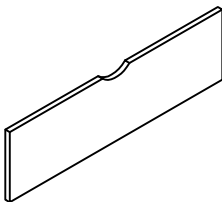
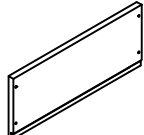
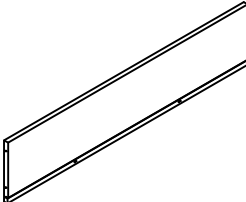
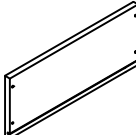
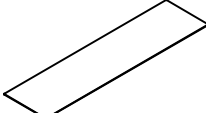
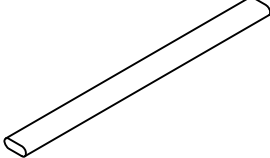
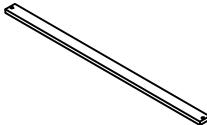
Detail view



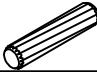
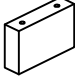






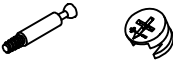


Part List (WF531188)

<p>① x1</p>  <p>Leg Bed</p>	<p>② x1</p>  <p>Leg Bed</p>
<p>③ x2</p>  <p>Crossbar Headboard</p>	<p>④ x2</p>  <p>Panel Headboard</p>
<p>⑤ x2</p>  <p>Crossbar Headboard</p>	<p>⑥ x4</p>  <p>Panel Headboard</p>
<p>⑦ x2</p>  <p>Top Crossbar Headboard</p>	<p>⑧ x2</p>  <p>Panel Headboard</p>
<p>⑨ x1</p>  <p>Leg Bed</p>	<p>⑩ x1</p>  <p>Leg Bed</p>
<p>⑪ x1</p>  <p>Front Side Rail</p>	<p>⑫ x1</p>  <p>Back Side Rail</p>
<p>⑬ x1</p>  <p>Front Frame Side Rail</p>	<p>⑭ x1</p>  <p>Back Frame Side Rail</p>

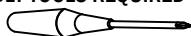
Part List (WF531188)

<p>①5 x2</p>  <p>Front Drawers</p>	<p>①6 x2</p>  <p>Side Drawers</p>
<p>①7 x2</p>  <p>Back Drawers</p>	<p>①8 x2</p>  <p>Side Drawers</p>
<p>①9 x4</p>  <p>Bottom Drawers</p>	<p>②0 x4</p>  <p>Support Drawers</p>
<p>①0 x10</p>  <p>Slats</p>	

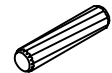

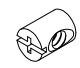

Hardware List (WF531188)

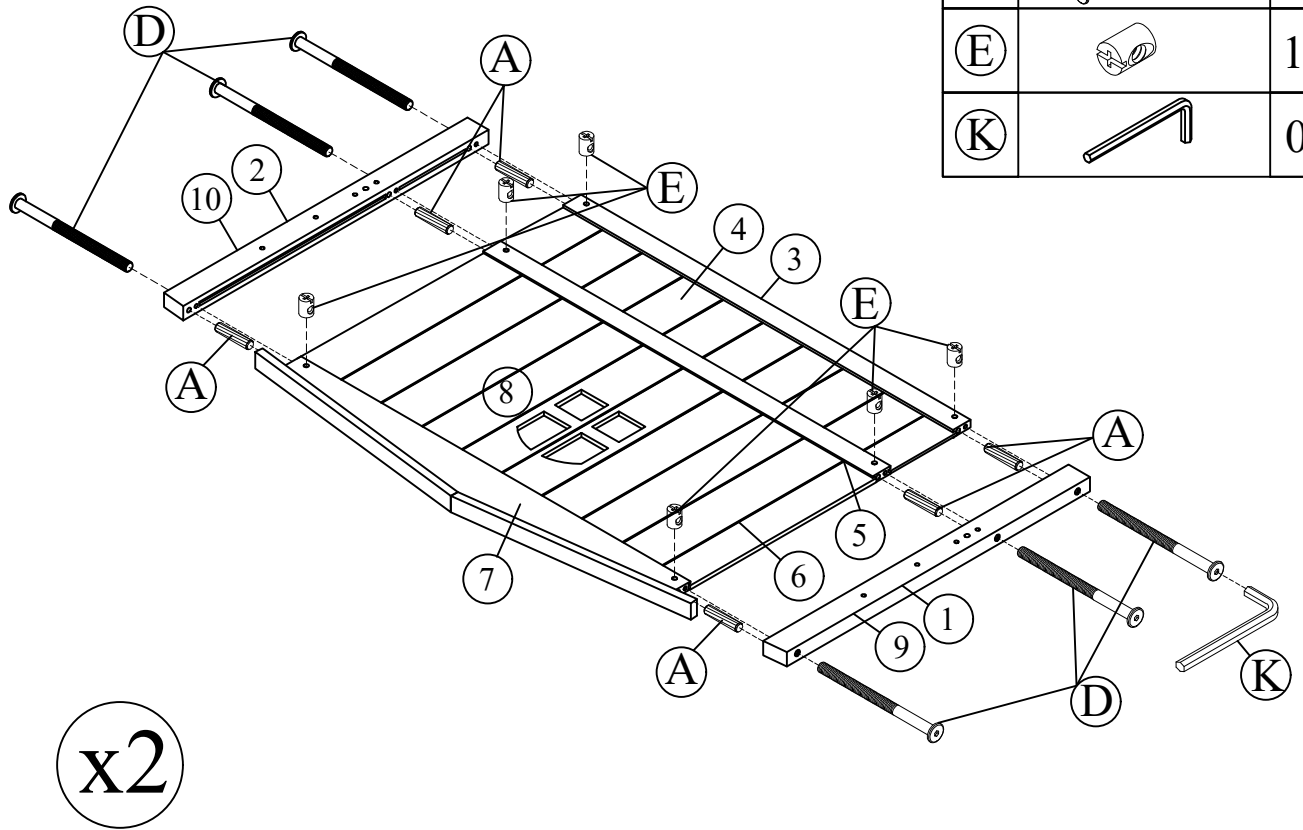
No.	OUTLOOK	DESC	QTY
(A)		Dowel Ø10*40mm	16
(B)		Wood stops	3
(C)		Bolts 1/4"*70mm	14
(D)		Bolts 1/4"*100mm	12
(E)		Cross dowel 1/4"*13mm	24
(F)		Screws #6*15mm	40
(G)		Screws #8*30mm	38
(H)		Base L	4
(I)		Connecting Bolt	8
(J)		Wheels	8
(K)		Allen key 60*22*4mm	1

ASSEMBLY TOOLS REQUIRED (NOT INCLUDED)

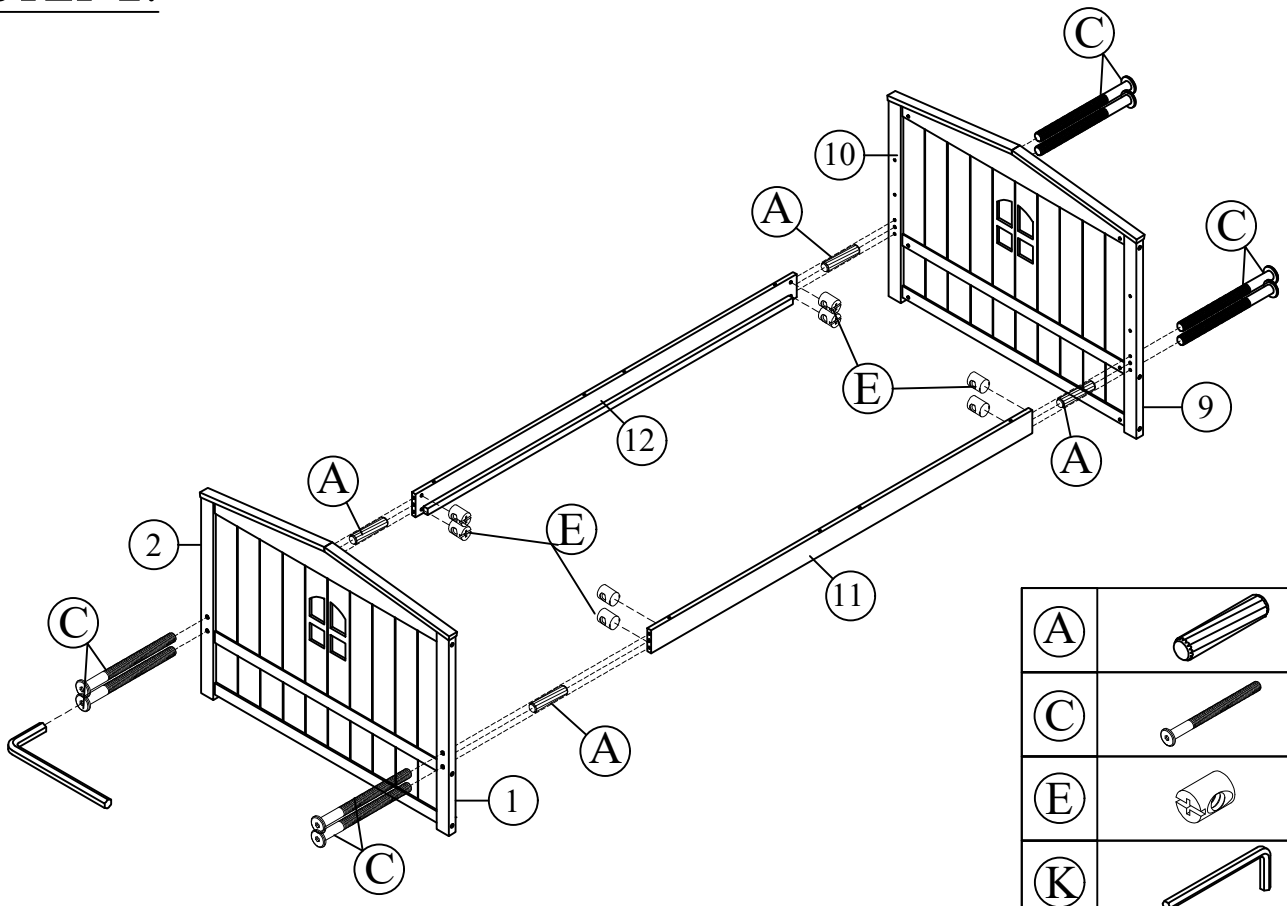



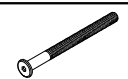


STEP 1:

(A)		12
(D)		12
(E)		12
(K)		01

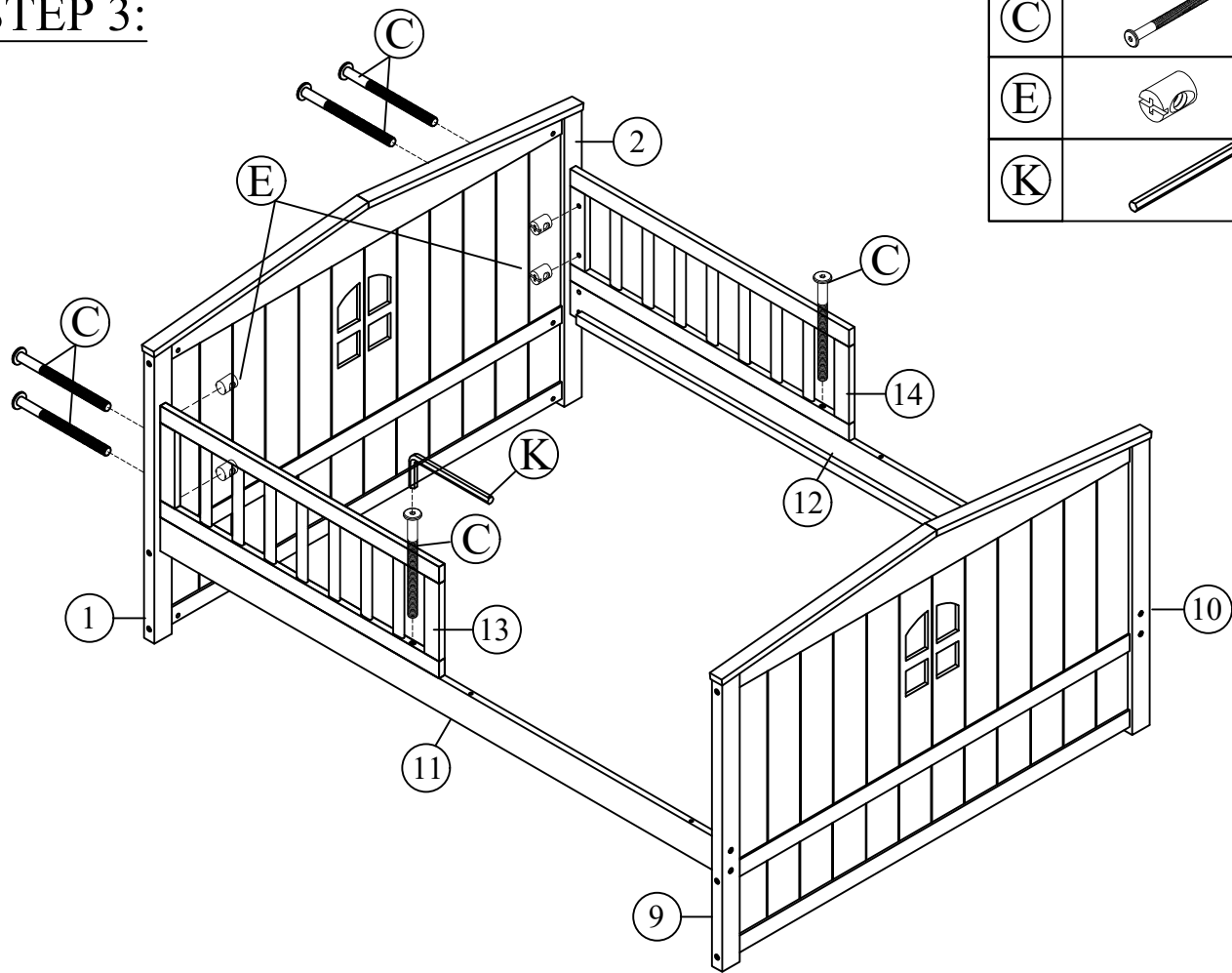





STEP 2:



(A)		04
(C)		08
(E)		08
(K)		01

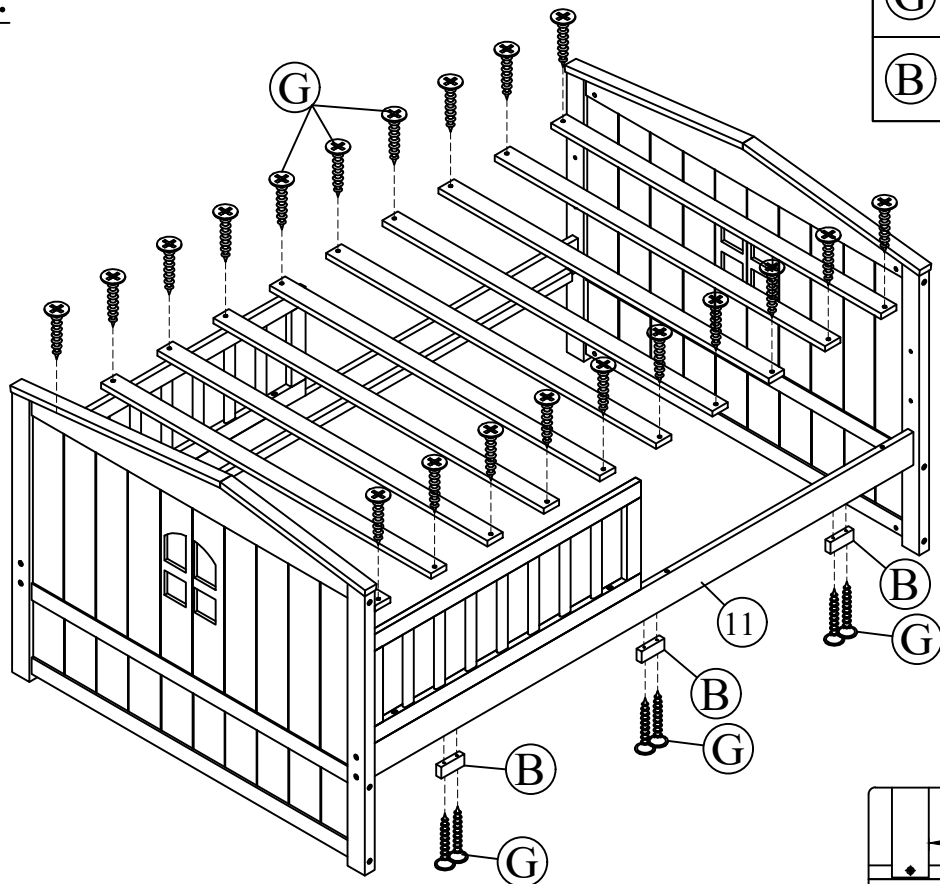
STEP 3:





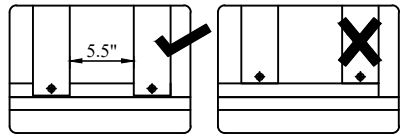
(C)		06
(E)		08
(K)		01

The side rail frame (13),(14) can be installed on the left or right side.

STEP 4:



(G)		26
(B)		03

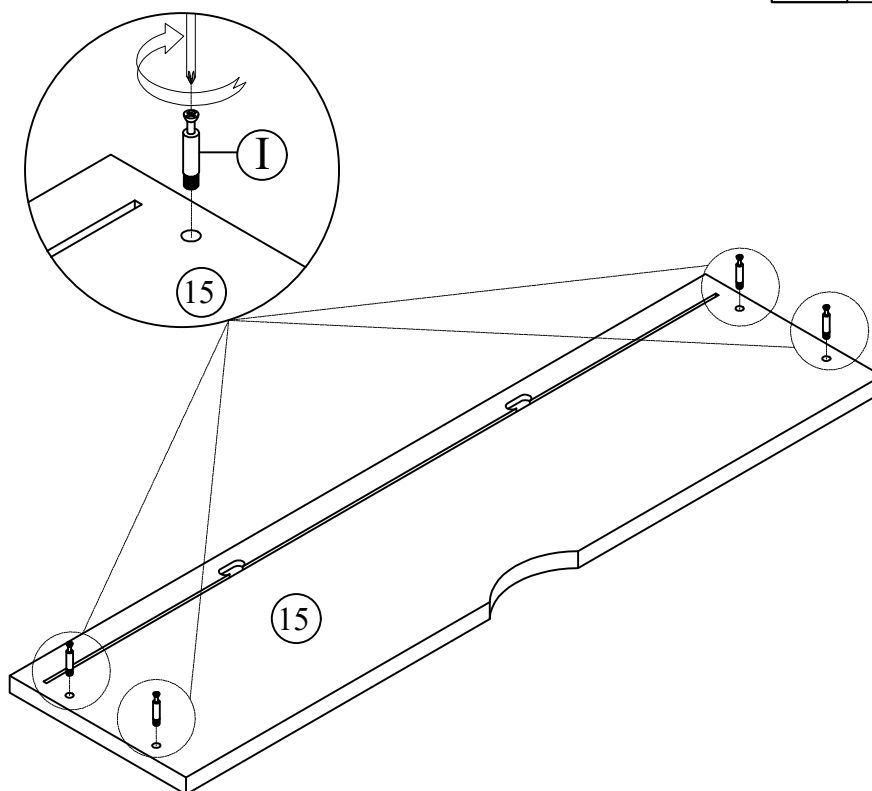


STEP 5:

I

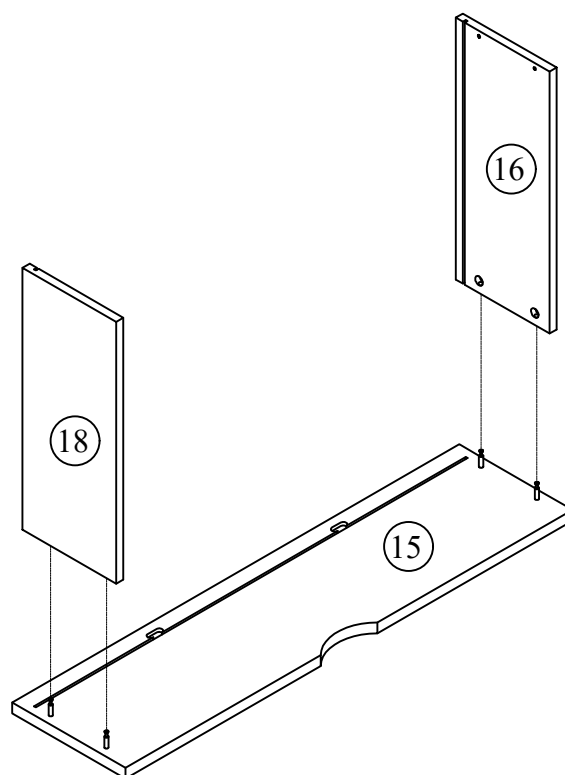


08



x2

STEP 6:



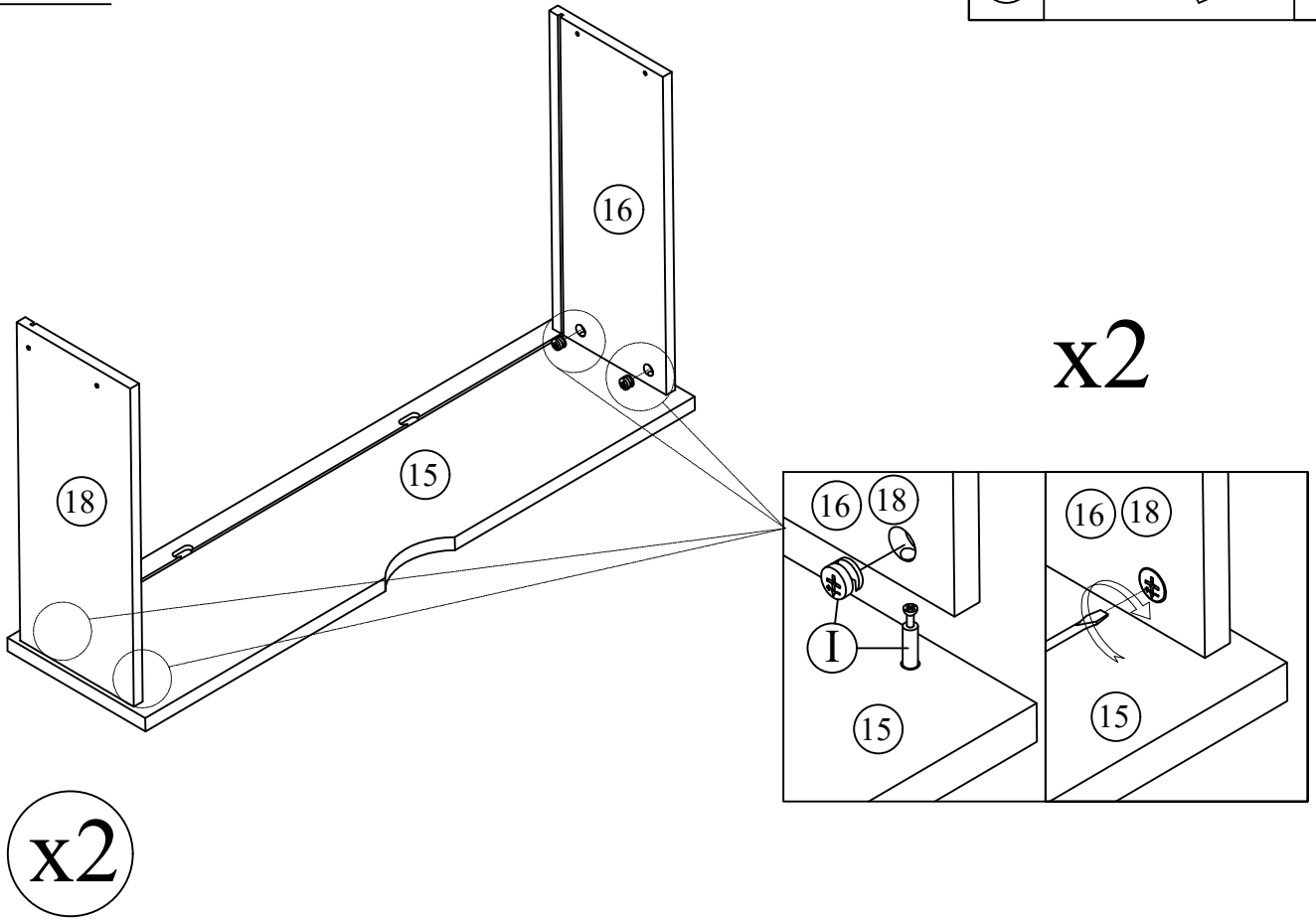
x2

STEP 7:

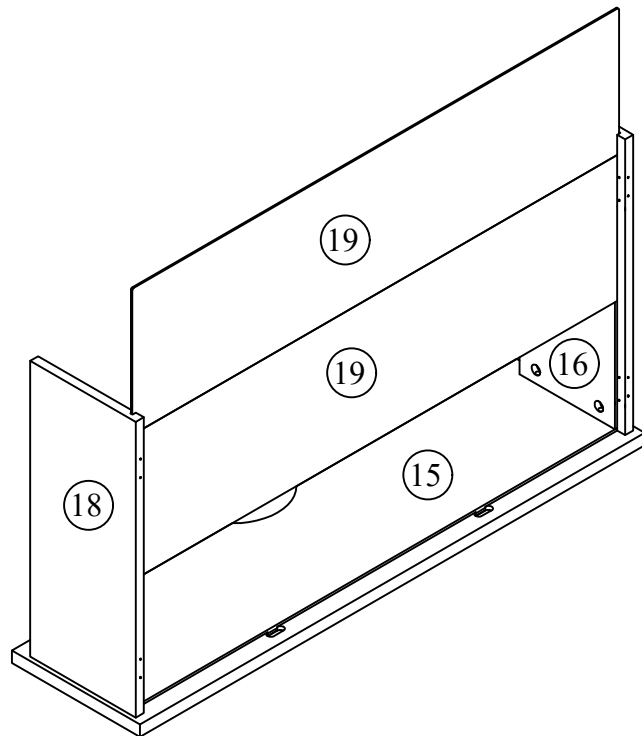
I



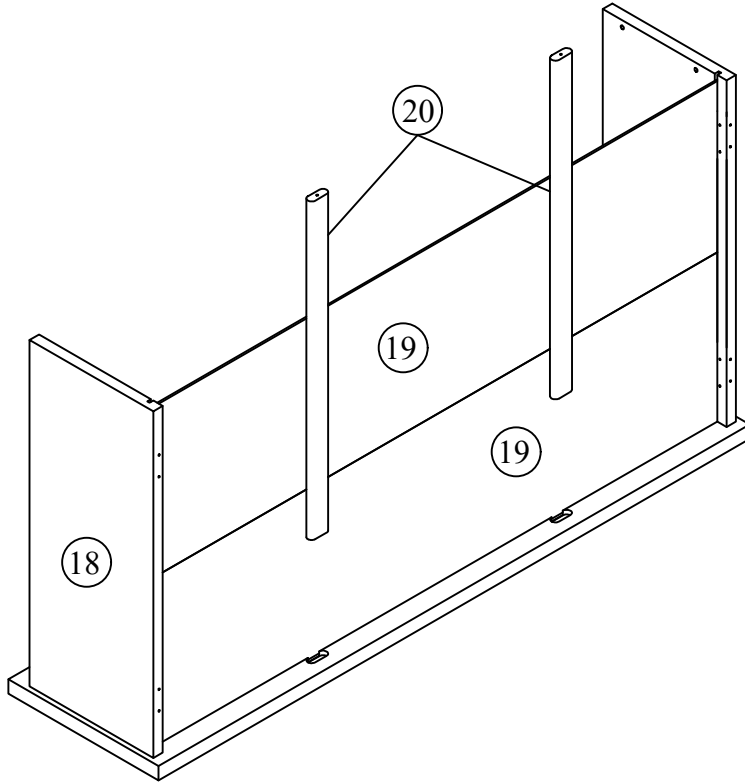
08



STEP 8:

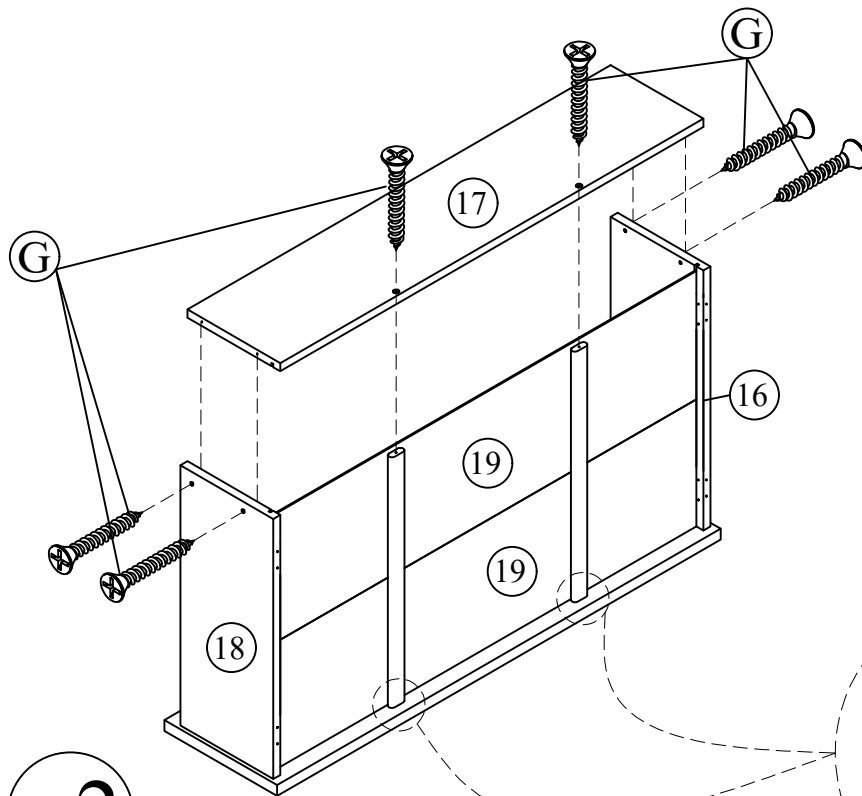


STEP 9:



x2

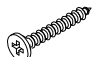

STEP 10:

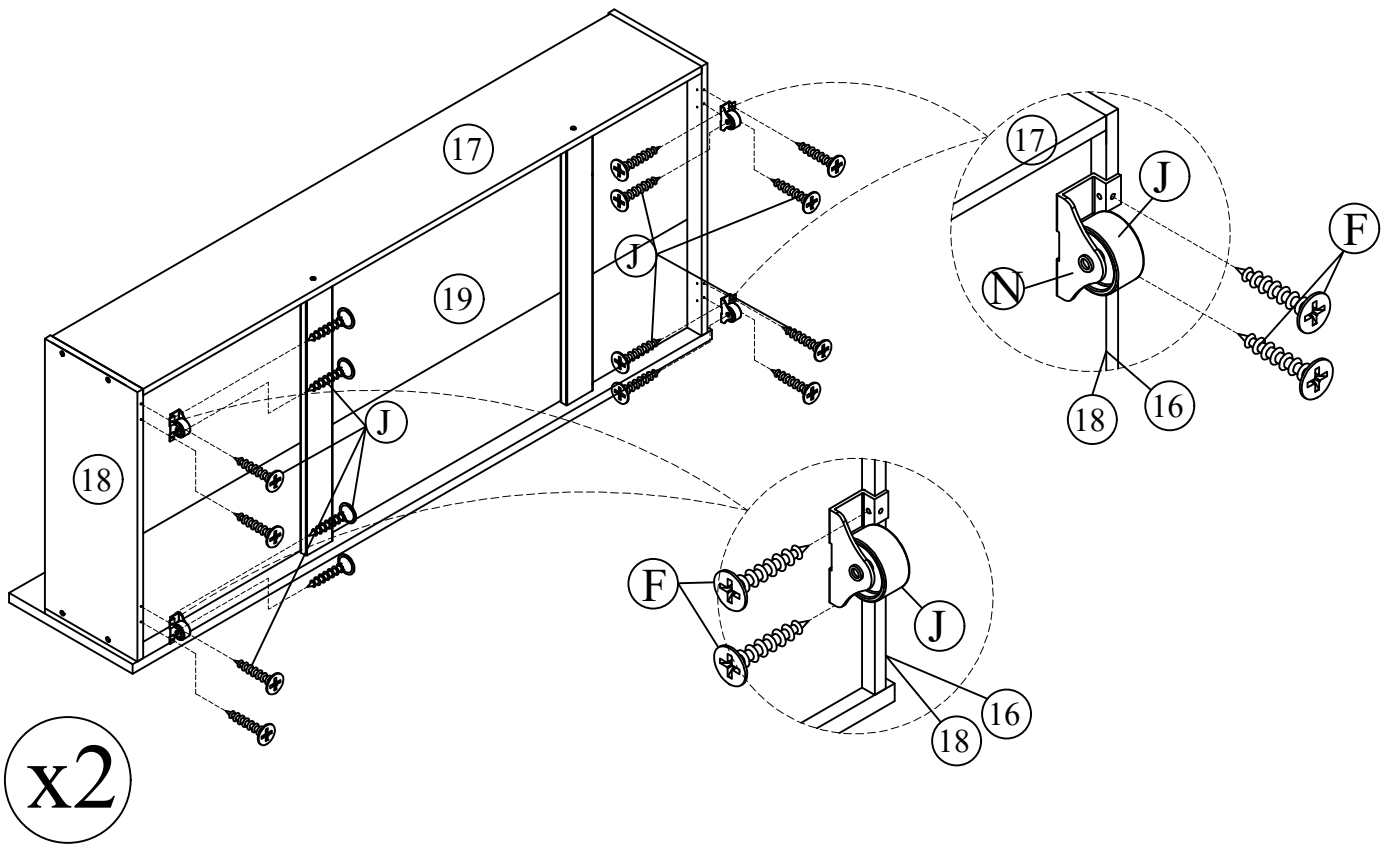


x2

(F)		08
(G)		12
(H)		04

STEP 11:

(F)		32
(J)		08



FINAL:

