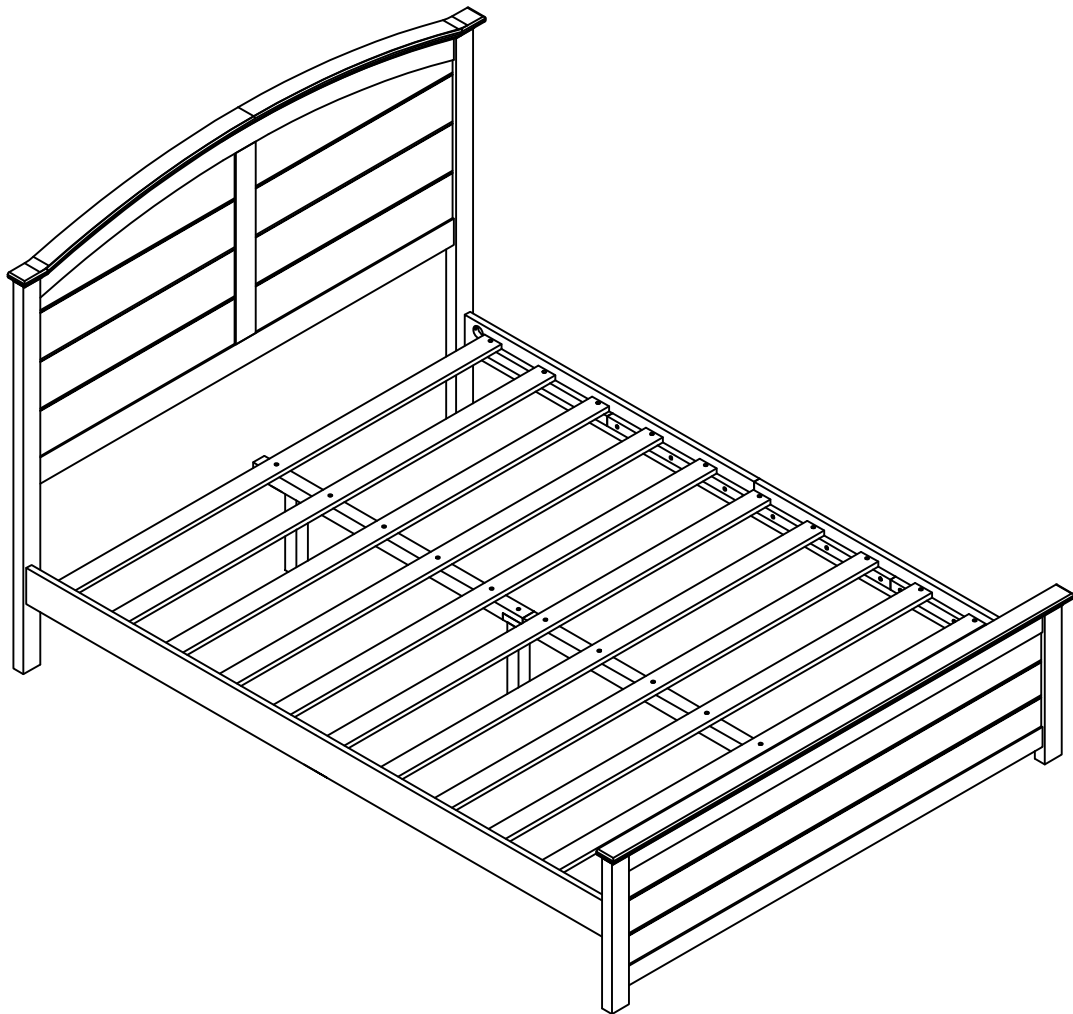
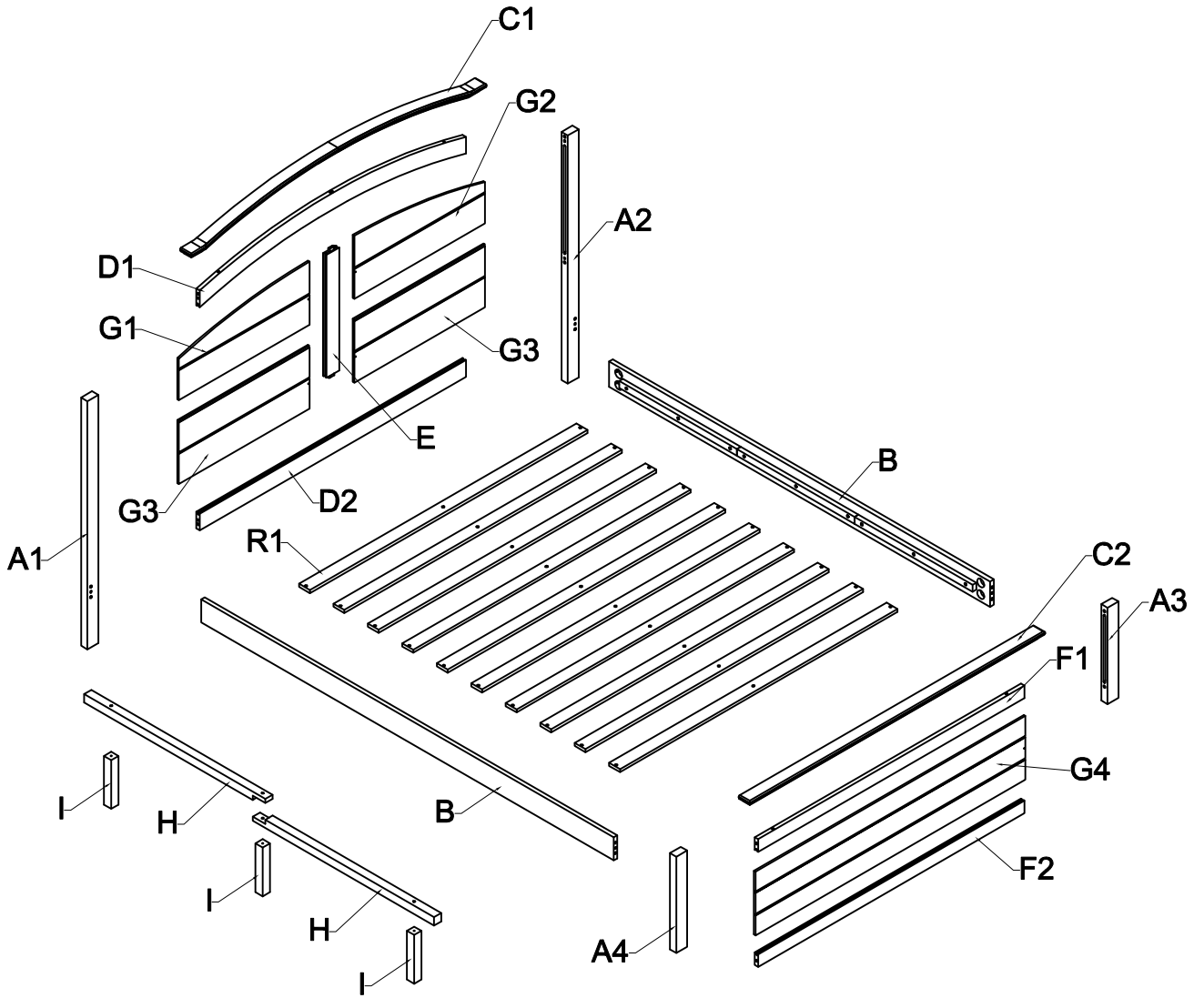


# ASSEMBLY INSTRUCTIONS





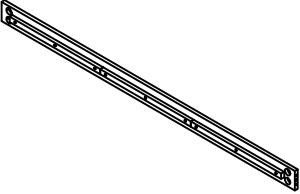
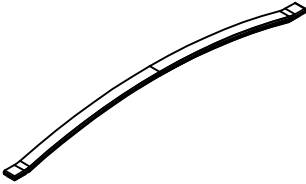
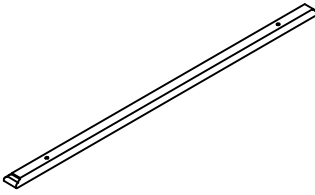
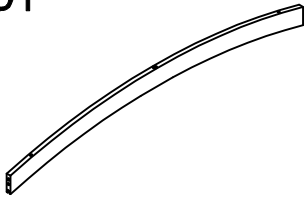
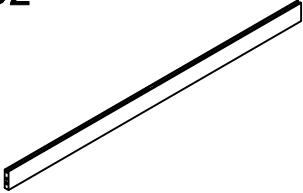

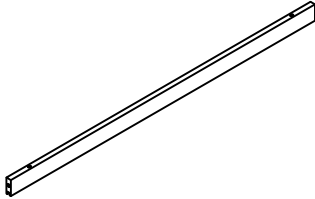
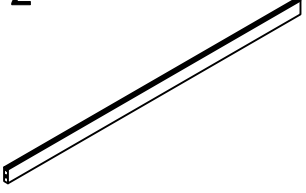
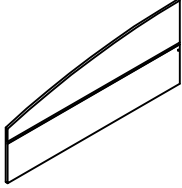
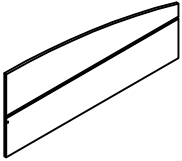
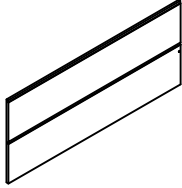
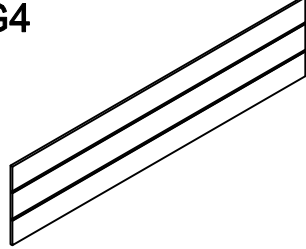
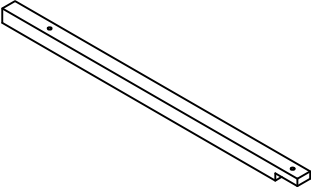

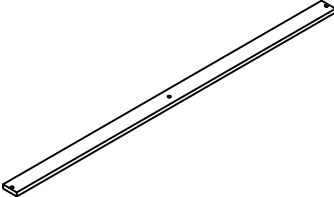
ITEM CODE: WF530030



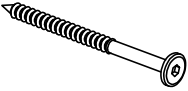

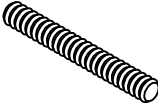


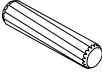
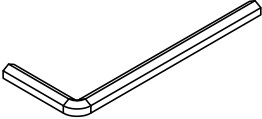
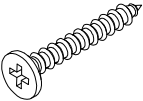
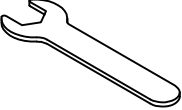
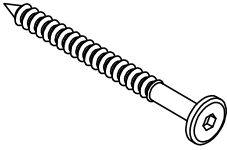
# DETAIL VIEW

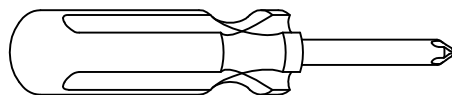


# BOX 1: WF530030

<p><b>A1</b></p>  <p>Front leg - left (1pc)</p>	<p><b>A2</b></p>  <p>Back leg - left (1pc)</p>	<p><b>A3</b></p>  <p>Back leg - right (1pc)</p>	<p><b>A4</b></p>  <p>Front leg - right (1pc)</p>
<p><b>B</b></p>  <p>Side rail - (2pcs)</p>	<p><b>C1</b></p>  <p>Top rail - headboard (1pc)</p>	<p><b>C2</b></p>  <p>Top rail - footboard (1pc)</p>	<p><b>D1</b></p>  <p>Headboard rail - top (1pc)</p>
<p><b>D2</b></p>  <p>Headboard rail - bottom (1pc)</p>	<p><b>E</b></p>  <p>Vertical rail - middle (1pc)</p>	<p><b>F1</b></p>  <p>Footboard rail - top (1pc)</p>	<p><b>F2</b></p>  <p>Footboard rail - bottom (1pc)</p>
<p><b>G1</b></p>  <p>Headboard panel - left (1pc)</p>	<p><b>G2</b></p>  <p>Headboard panel - right (1pc)</p>	<p><b>G3</b></p>  <p>Headboard panel - bottom (2pcs)</p>	<p><b>G4</b></p>  <p>Footboard panel (1pc)</p>
<p><b>H</b></p>  <p>Support slats - (2pcs)</p>	<p><b>I</b></p>  <p>Extra leg - (3pcs)</p>	<p><b>R1</b></p>  <p>Slats - (10pcs)</p>	

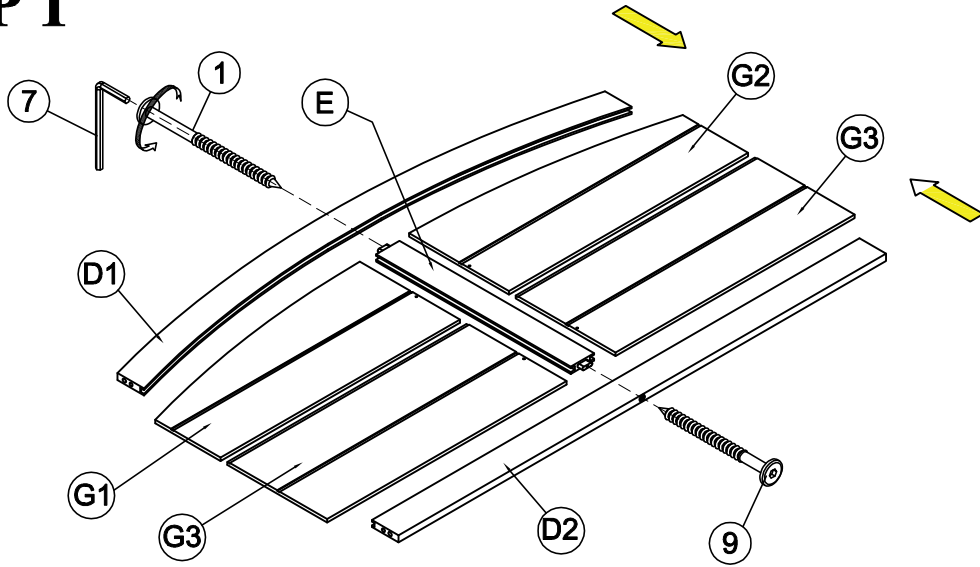
# HARDWARE LIST: WF530030

<p>1</p>  <p>Hexagonal bolts catch wood Ø1/4" * 100 - 2pcs</p>	<p>2</p>  <p>Threaded bolt Ø5/16" * 60 - 4pcs</p>	<p>3</p>  <p>Threaded bolt Ø5/16" * 80 - 16pcs</p>	<p>4</p>  <p>Semi - Circular Ø5/16" - 20pcs</p>
<p>5</p>  <p>Hexagonal screw Ø5/16" - 20pcs</p>	<p>6</p>  <p>Wood dowel Ø8 * 30 - 8pcs</p>	<p>7</p>  <p>Allen key K4 - 1pc</p>	<p>8</p>  <p>Wood crews M4 * 30 - 30pcs</p>
<p>9</p>  <p>Wrench key (K13) - 1pc</p>	<p>10</p>  <p>Hexagonal bolts catch wood Ø1/4" * 70 - 3pcs</p>		



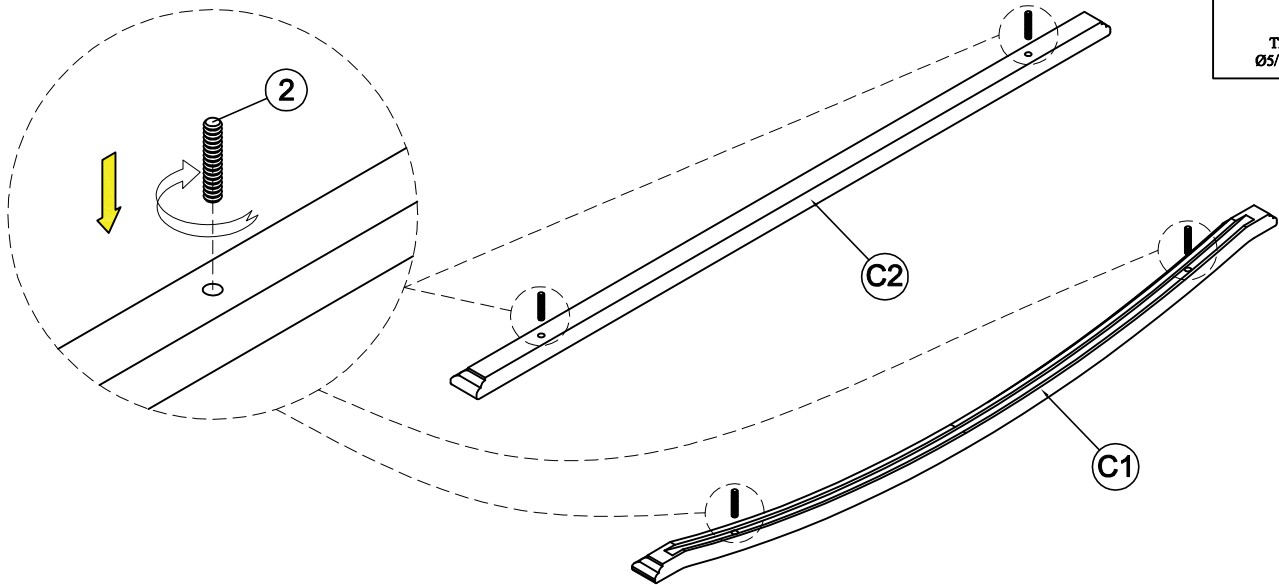
Assembly Tools Required (Not Included)

# STEP 1



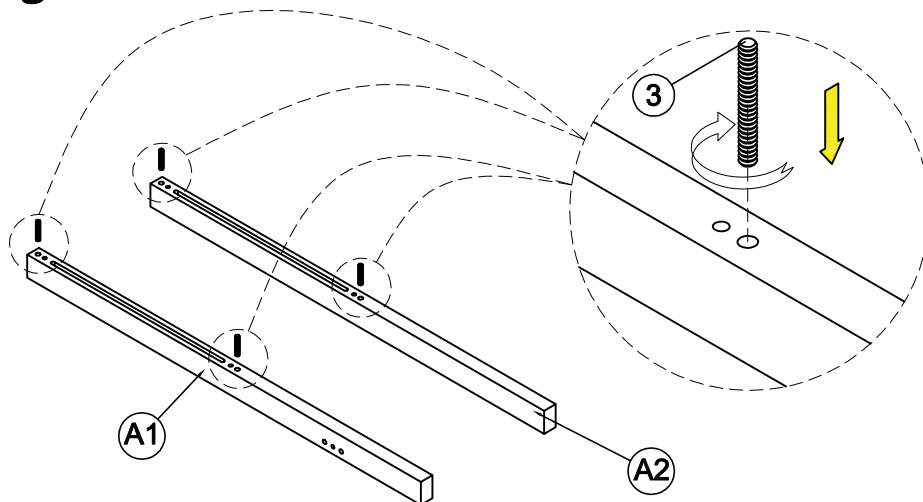
1  
Hexagonal bolts catch wood  
Ø1/4" \* 100 - 2pcs

# STEP 2



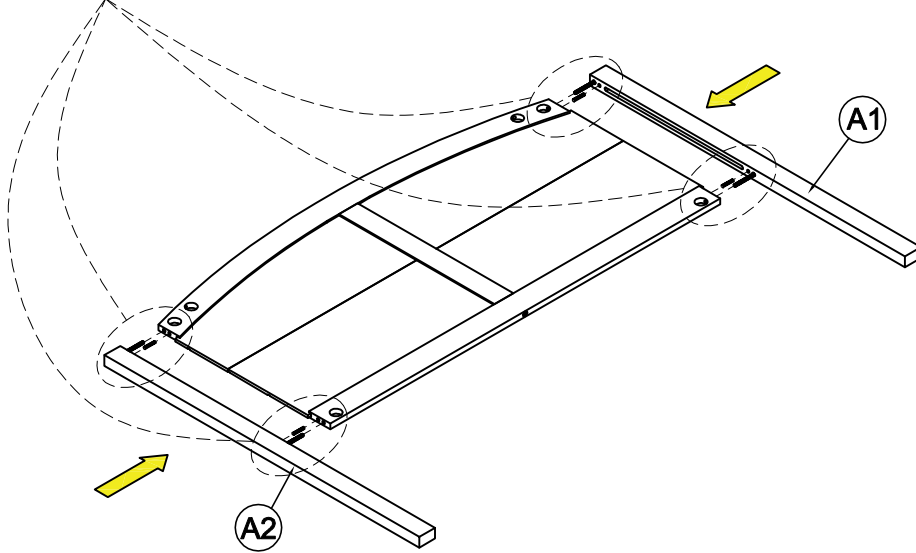
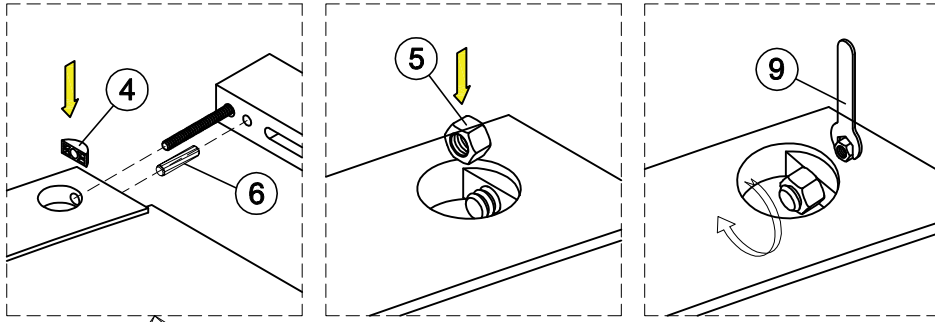
2  
Threaded bolt  
Ø5/16" \* 60 - 4pcs

# STEP 3



3  
Threaded bolt  
Ø5/16" \* 80 - 4pcs

# STEP 4



4



Semi - Circular  
Ø5/16" - 4pcs

5



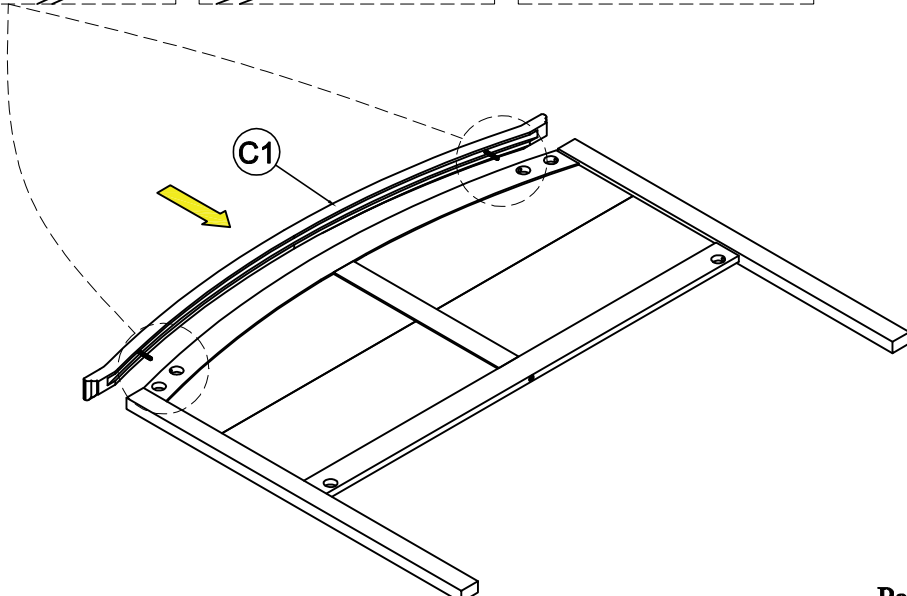
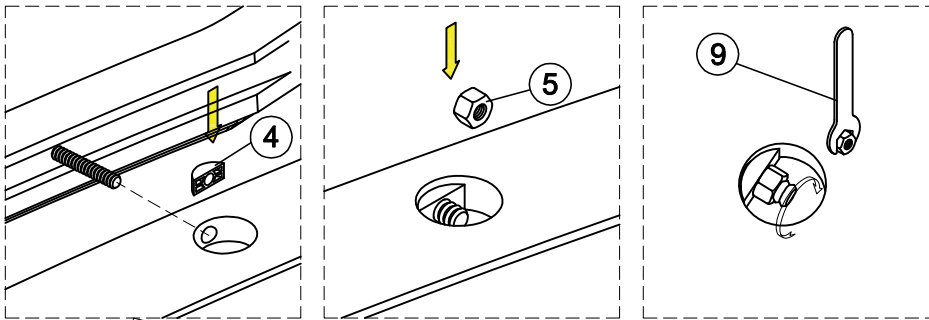
Hexagonal screw  
Ø5/16" - 4pcs

6



Wood dowel  
Ø8 \* 30 - 4pcs

# STEP 5



4



Semi - Circular  
Ø5/16" - 2pcs

5



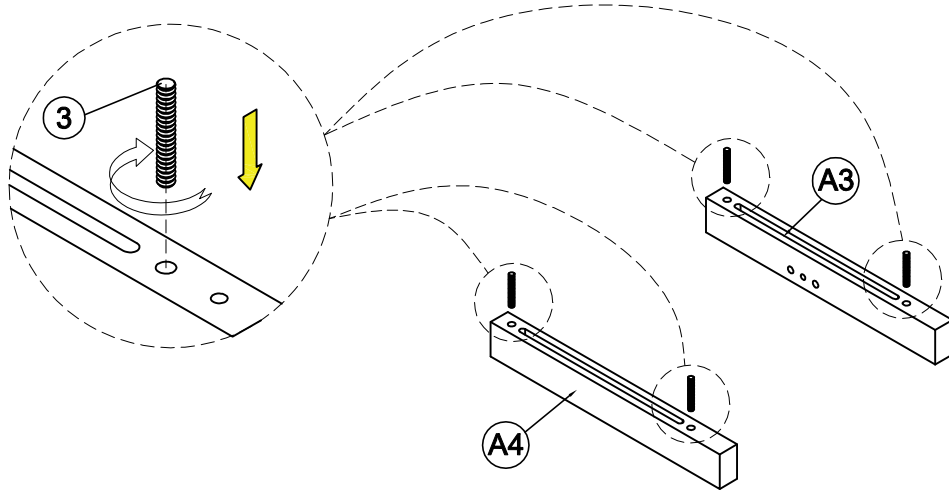
Hexagonal screw  
Ø5/16" - 2pcs

# STEP 6

3



Threaded bolt  
Ø5/16" \* 80 - 4pcs



# STEP 7

4

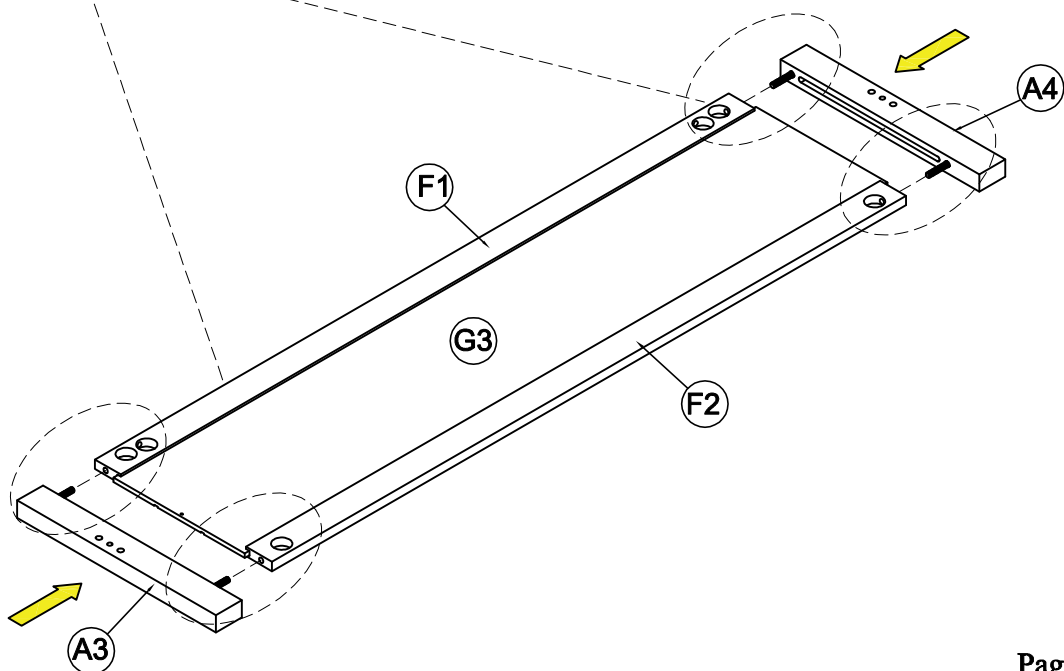
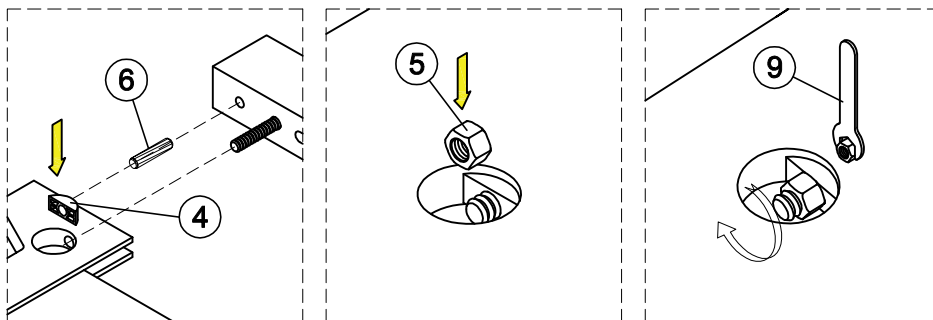


Semi - Circular  
Ø5/16" - 4pcs

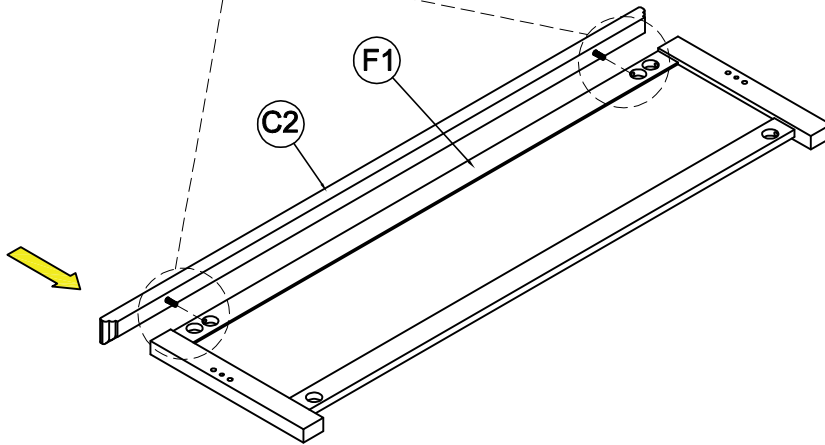
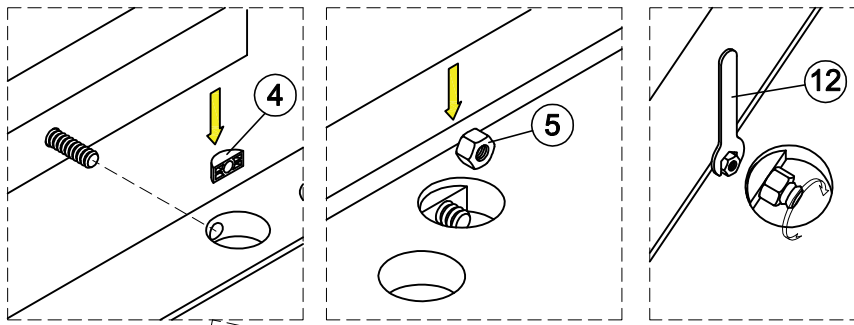
5



Hexagonal screw  
Ø5/16" - 4pcs



# STEP 8



4



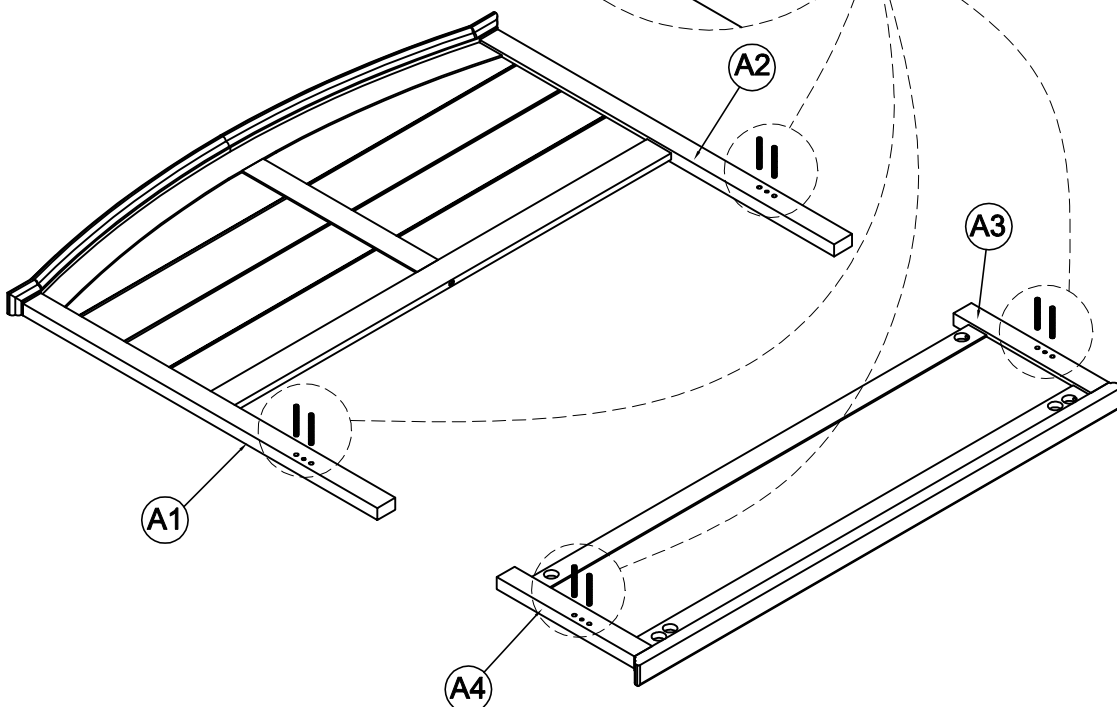
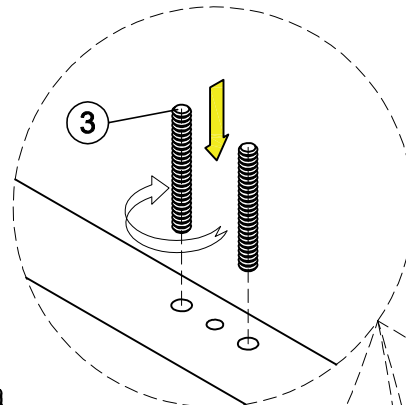
Semi - Circular  
Ø5/16" - 2pcs

5



Hexagonal screw  
Ø5/16" - 2pcs

# STEP 9



3



Threaded bolt  
Ø5/16" \* 80 - 8pcs



# STEP 10

4



Semi - Circular  
Ø5/16" - 8pcs

5

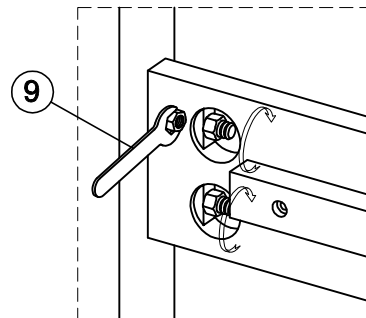
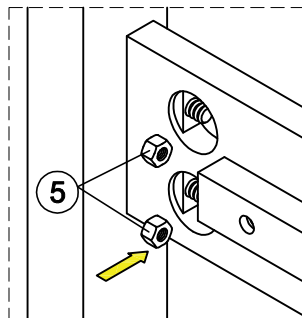
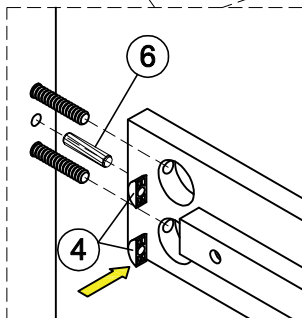
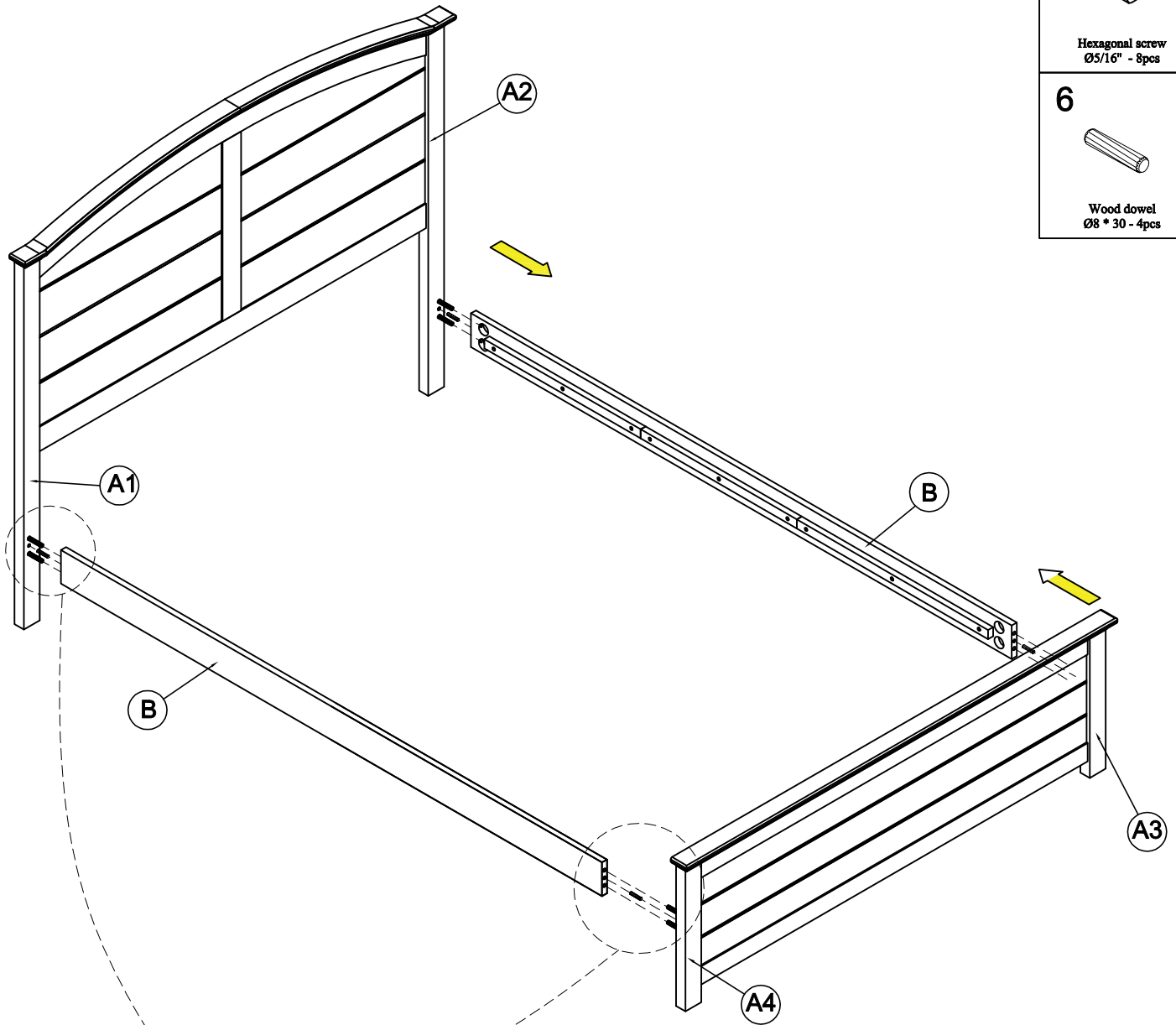


Hexagonal screw  
Ø5/16" - 8pcs

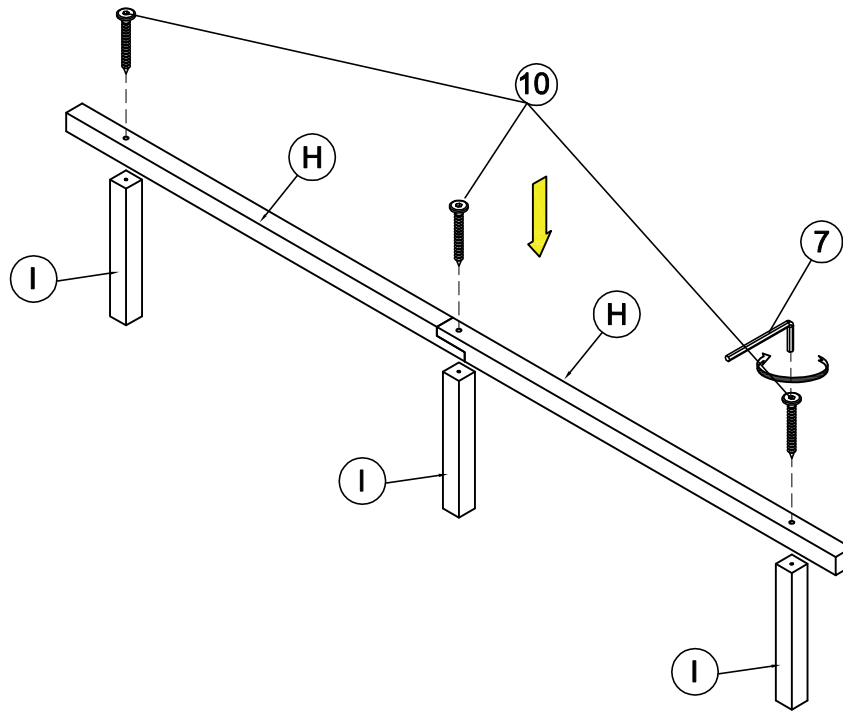
6



Wood dowel  
Ø8 \* 30 - 4pcs



# STEP 11

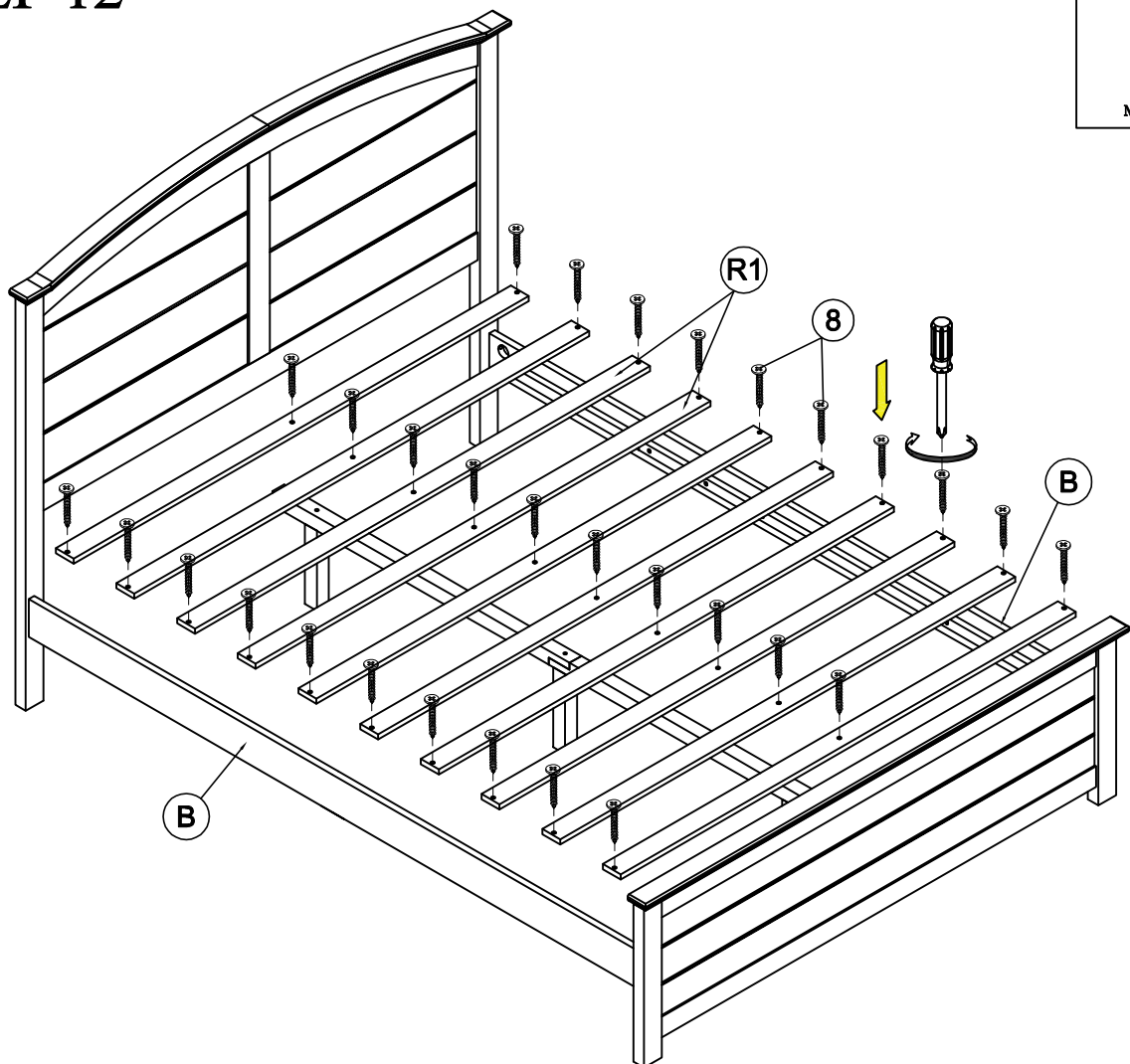


10

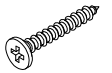


Hexagonal bolts catch wood  
Ø1/4" \* 70 - 3pcs

# STEP 12



8



Wood crews  
M4 \* 30 - 30pcs

**COMPLETED**

