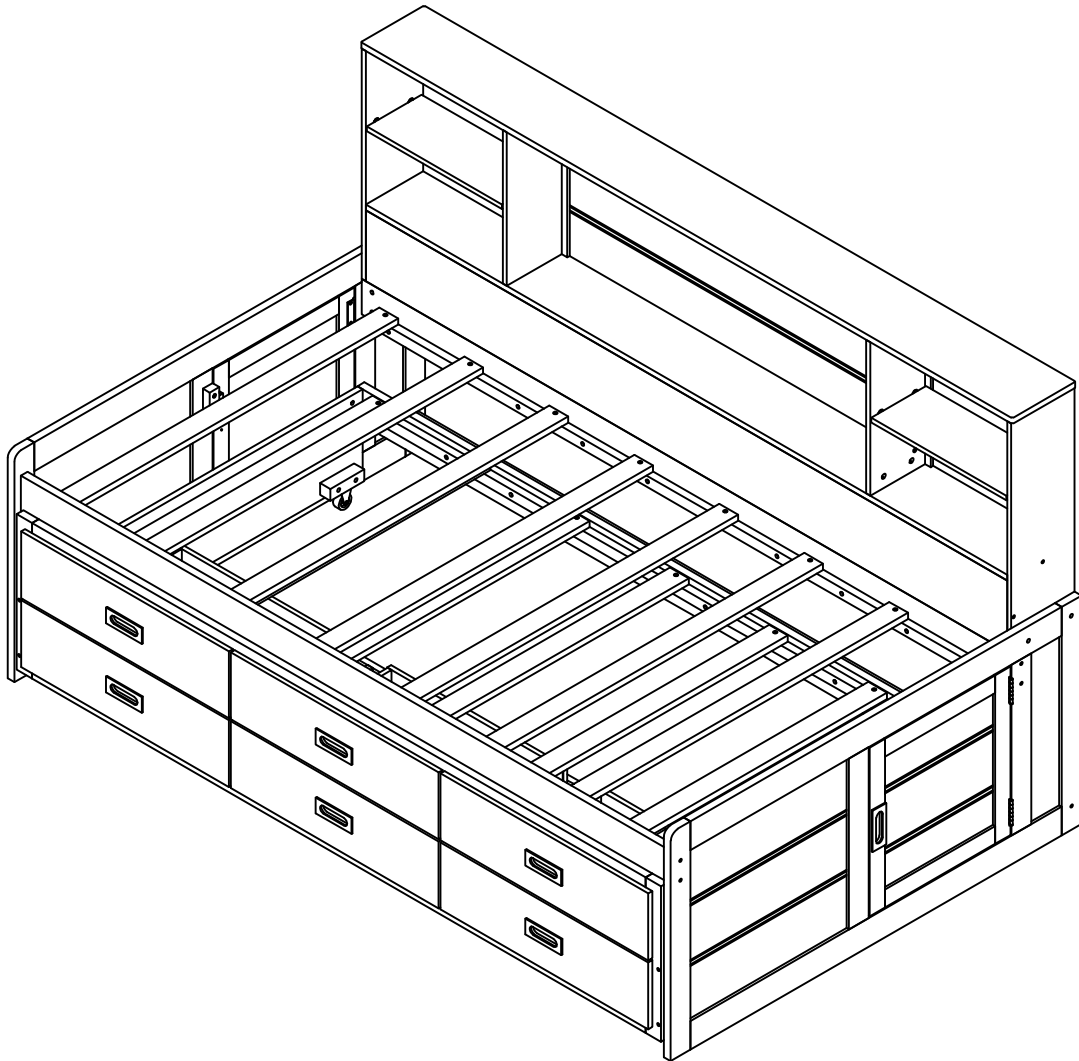


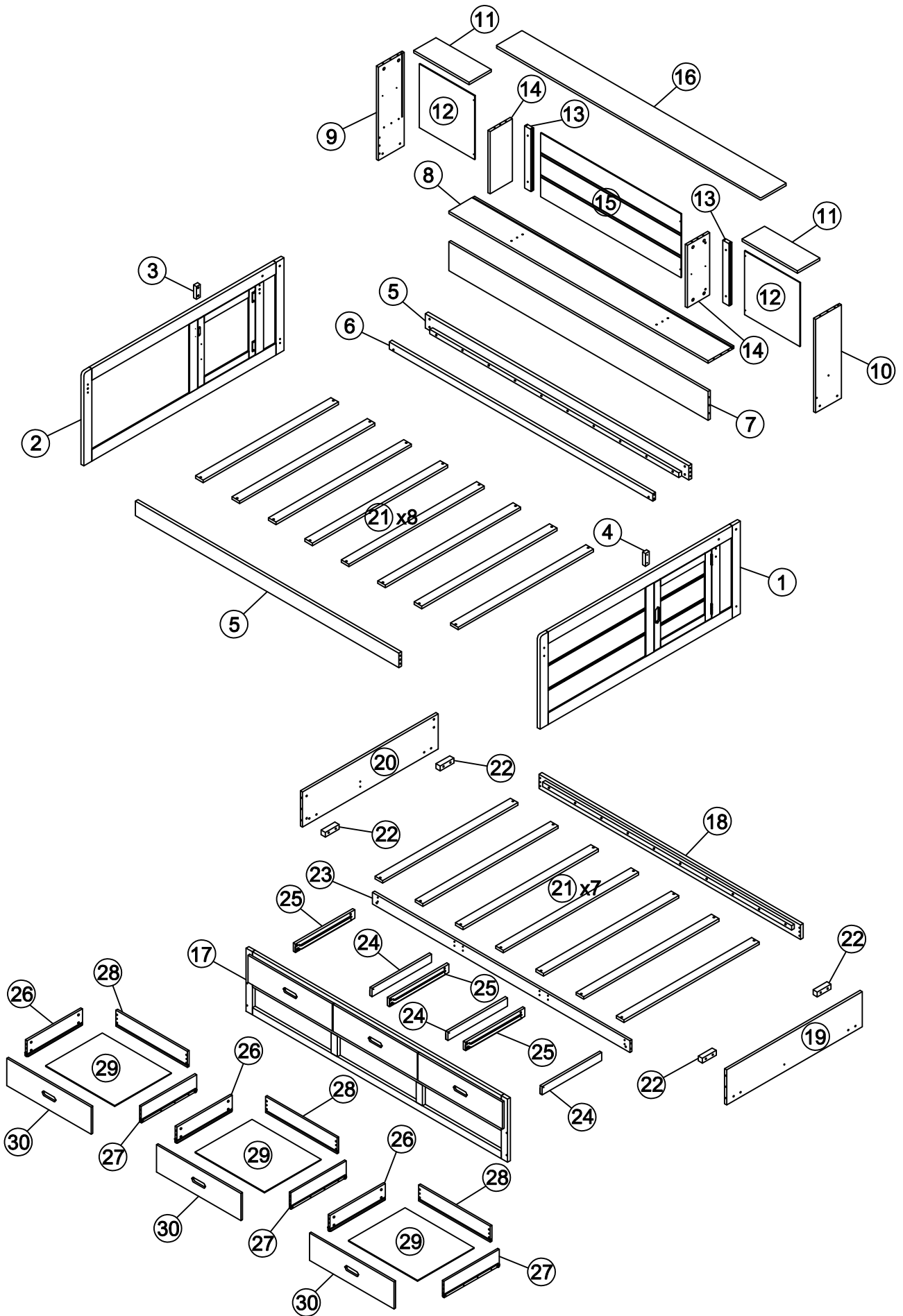
ASSEMBLY INSTRUCTIONS

TWIN BED WITH DRAWERS






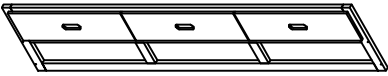
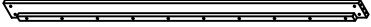

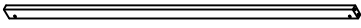
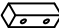
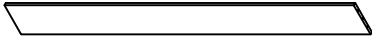


WF324304/WF324305

ASSEMBLY INSTRUCTIONS




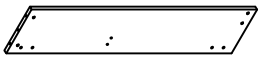
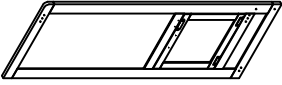

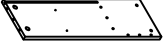
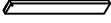
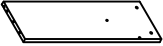

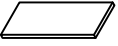

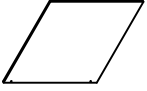



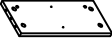
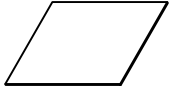
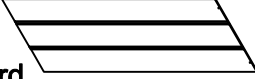

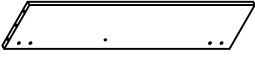
ASSEMBLY INSTRUCTIONS

WF324304

3	Frames support		1pc	16	Top shelves		1pc
4	Frames support		1pc	17	Front trundle frames		1pc
5	Side rails		2pcs	18	Side rails trundle		1pc
6	Headboard panels		1pc	22	Trundle frames support		4pcs
7	Front shelves		1pc	23	Back drawers frames		1pc
8	Shelves panels		1pc				










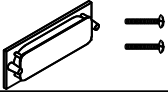

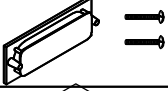

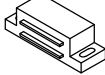






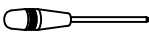
ASSEMBLY INSTRUCTIONS

WF324305 (Hardware in this SKU)

1	Bed frame 	1pc	20	Left side trundle frames 	1pc
2	Bed frame 	1pc	21	Slats 	15pcs
9	Side shelves 	1pc	24	Side drawers support 	3pcs
10	Side shelves 	1pc	25	Side drawers support 	3pcs
11	Shelves panels 	2pcs	26	Side drawers 	3pcs
12	Headboard 	2pcs	27	Side drawers 	3pcs
13	Headboard frames 	2pcs	28	Back drawers 	3pcs
14	Side shelves 	2pcs	29	Bottom drawers 	3pcs
15	Back headboard 	1pc	30	Front drawers 	3pcs
19	Right side trundle frames 	1pc			

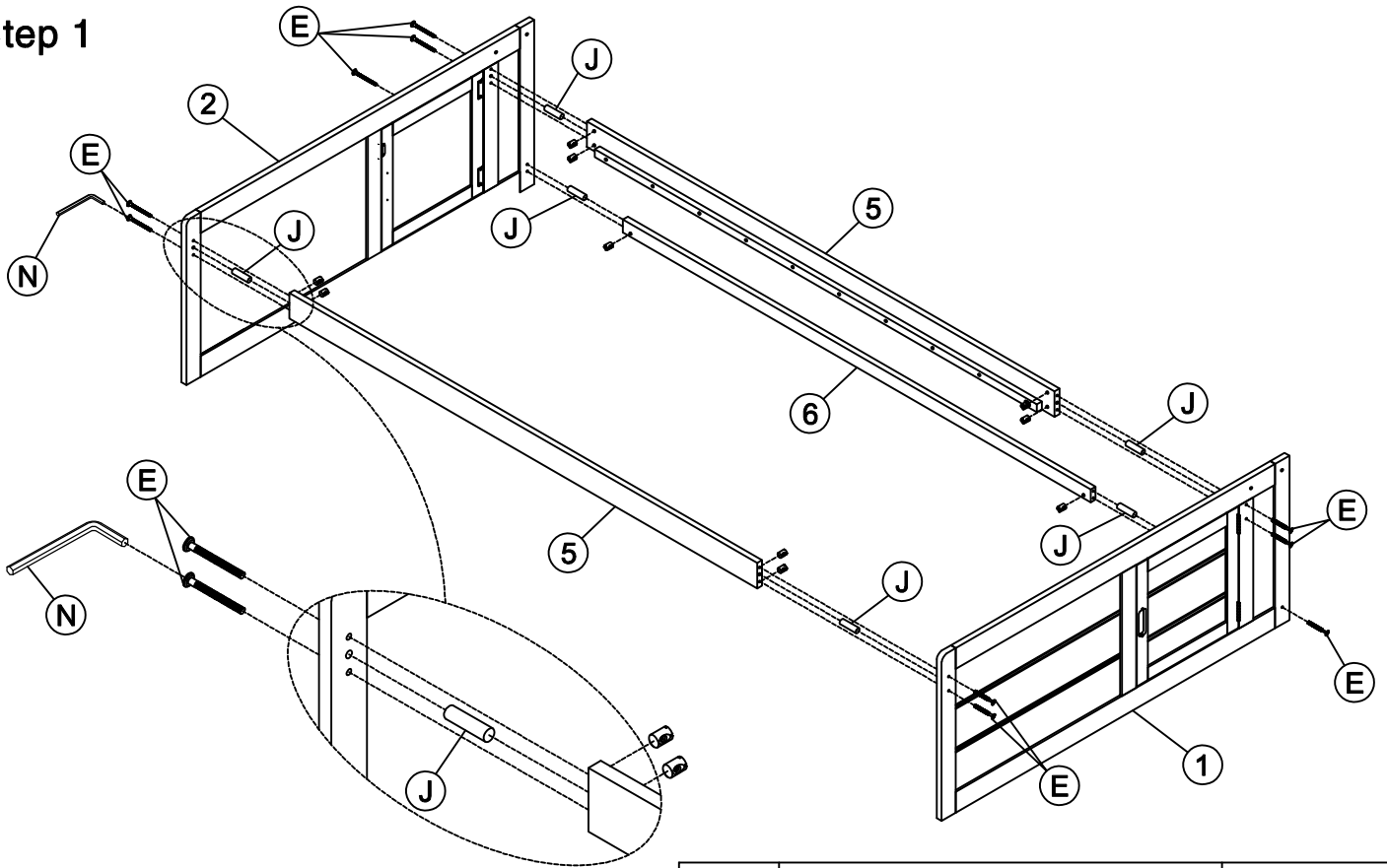
ASSEMBLY INSTRUCTIONS



WF324305 (Hardware in this SKU)


A	Ø4x30		34PCS	K	Ø8x30		38PCS
B	Ø4x25		6PCS	L	Ø 6.5x35		36PCS
C	Ø4x15		16PCS	M	Ø12x10		36PCS
D	Ø3.5x12		18PCS	N	4x58		1PC
E	1/4x65		18PCS	O	105x39x12 M4x15		2PCS
F	1/4x60		4PCS	P	105x39x12 M4x10		6PCS
G	1/4x55		12PCS	Q	44x17x14		2PCS
H	1/4x40		8PCS	R	Ø38x46x38		4PCS
I	1/4x25		4PCS	S	29x13x17		8PCS
J	Ø10x30		6PCS	T	15x15x2		3PCS
	Phillip head screw Not include						

ASSEMBLY INSTRUCTIONS

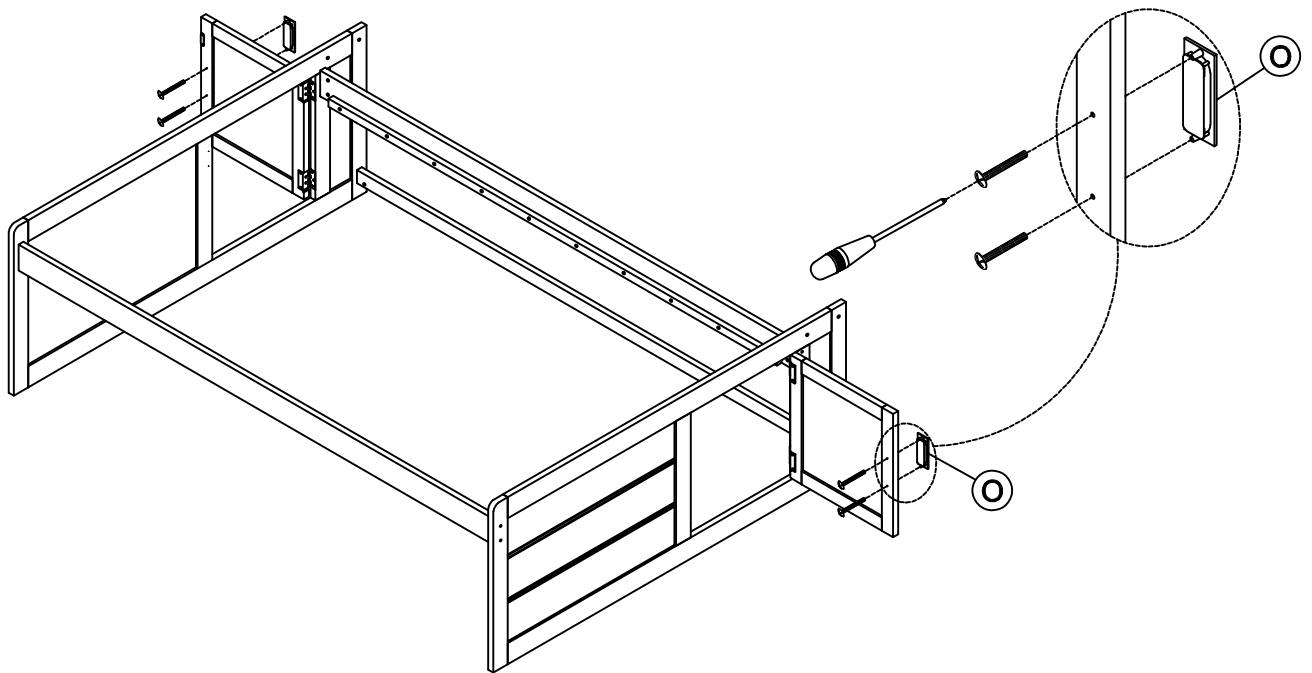
Step 1

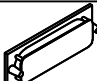


E	1/4x65		10PCS
J	Ø10x30		6PCS

N	4x58		1PC
----------	------	---	-----

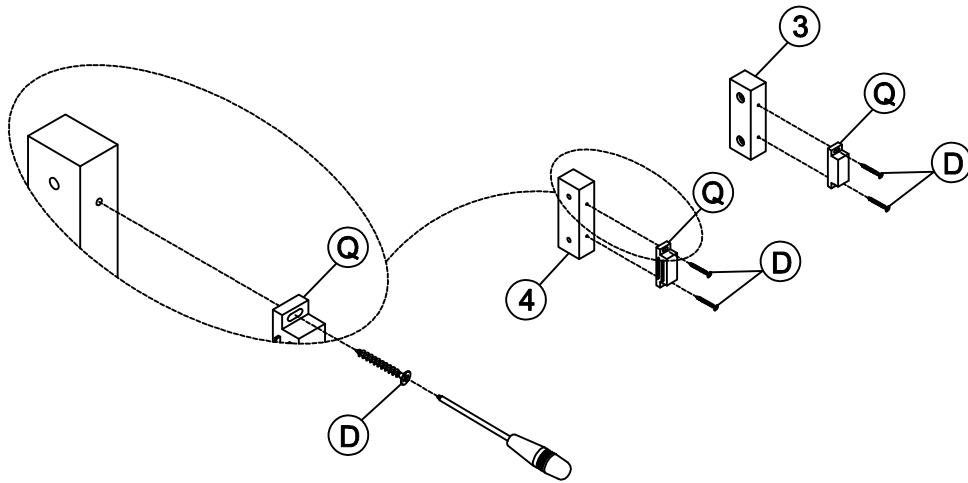
Step 2

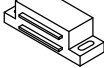



O	105x39x12 M4x15		2PCS
----------	--------------------	---	------

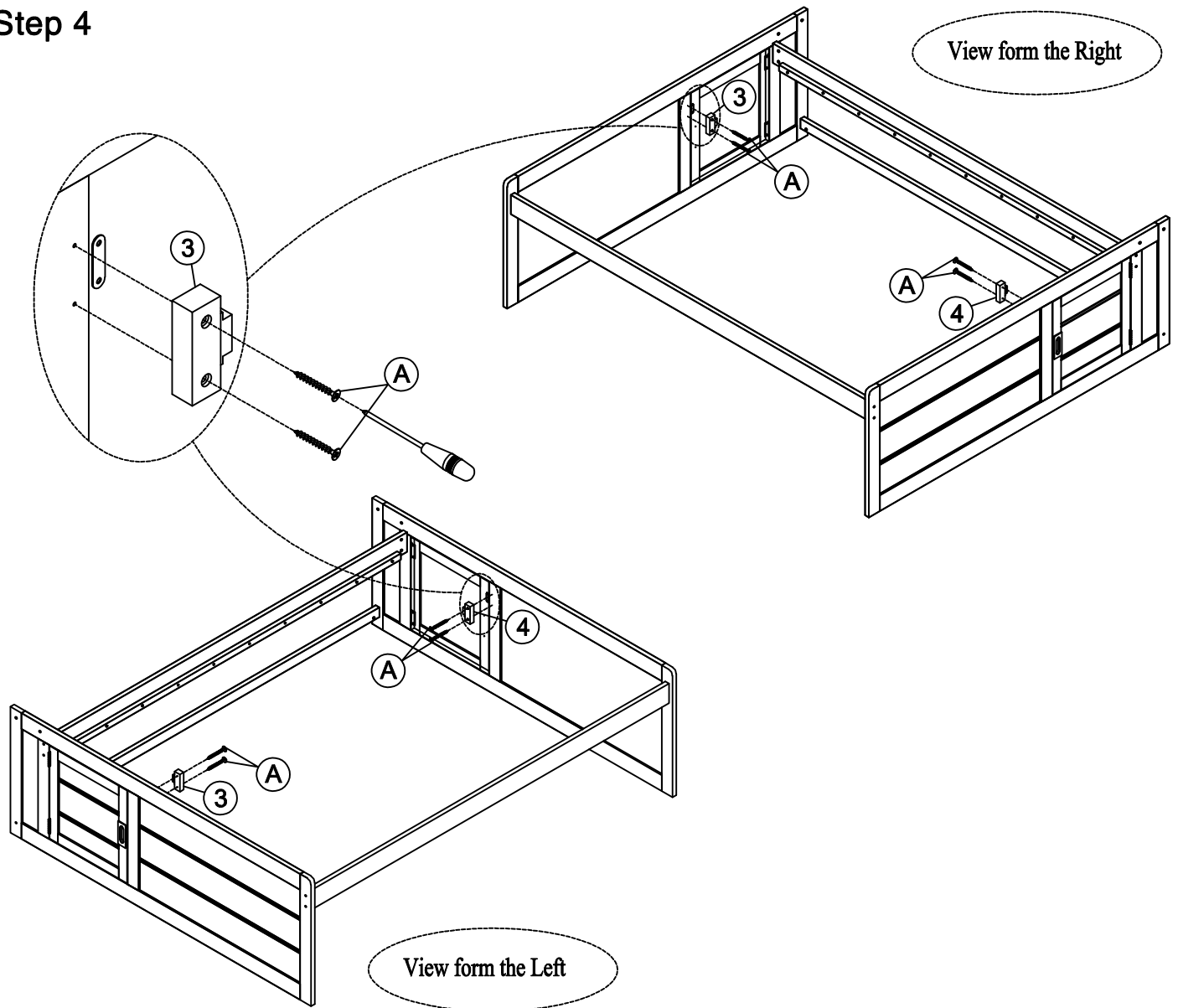
ASSEMBLY INSTRUCTIONS

Step 3



Q	44x17x14		2PCS	D	Ø3.5x12		4PCS
----------	----------	---	------	----------	---------	---	------

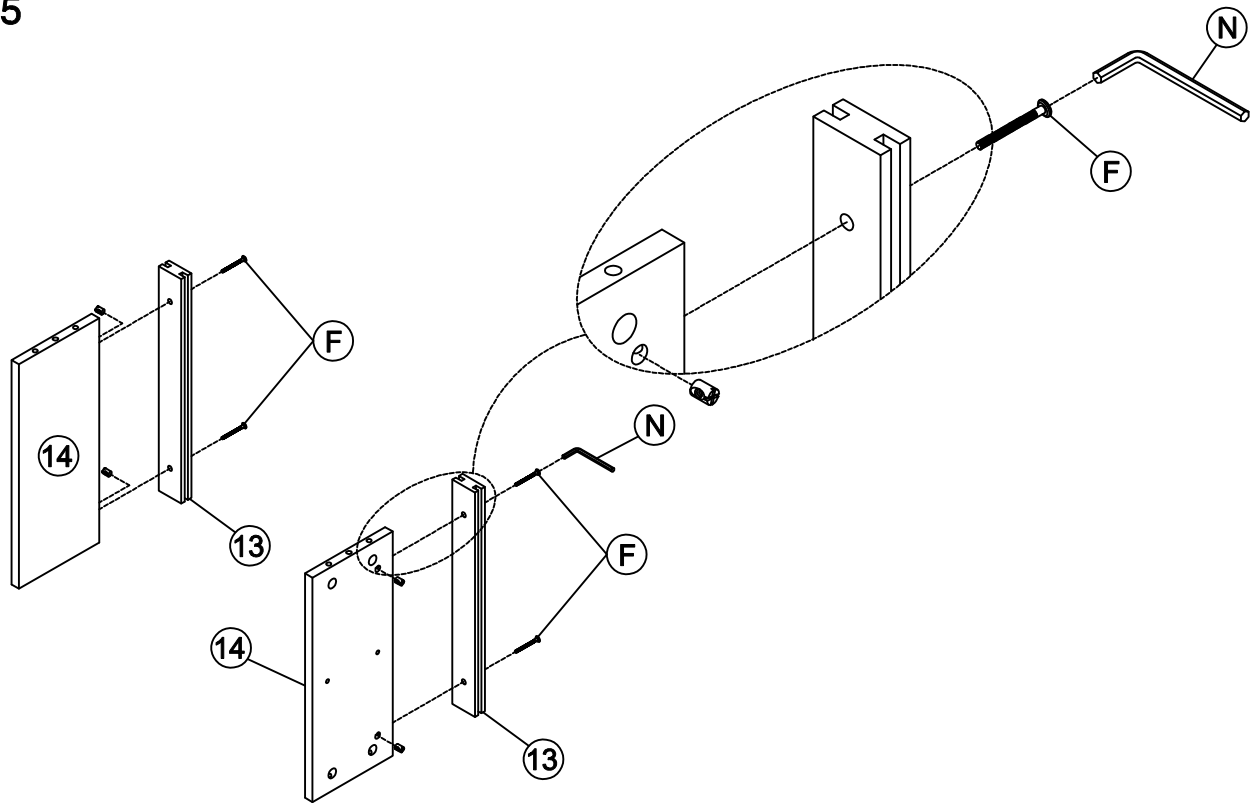
Step 4



A	Ø4x30		4PCS
----------	-------	---	------

ASSEMBLY INSTRUCTIONS

Step 5



F 1/4x60



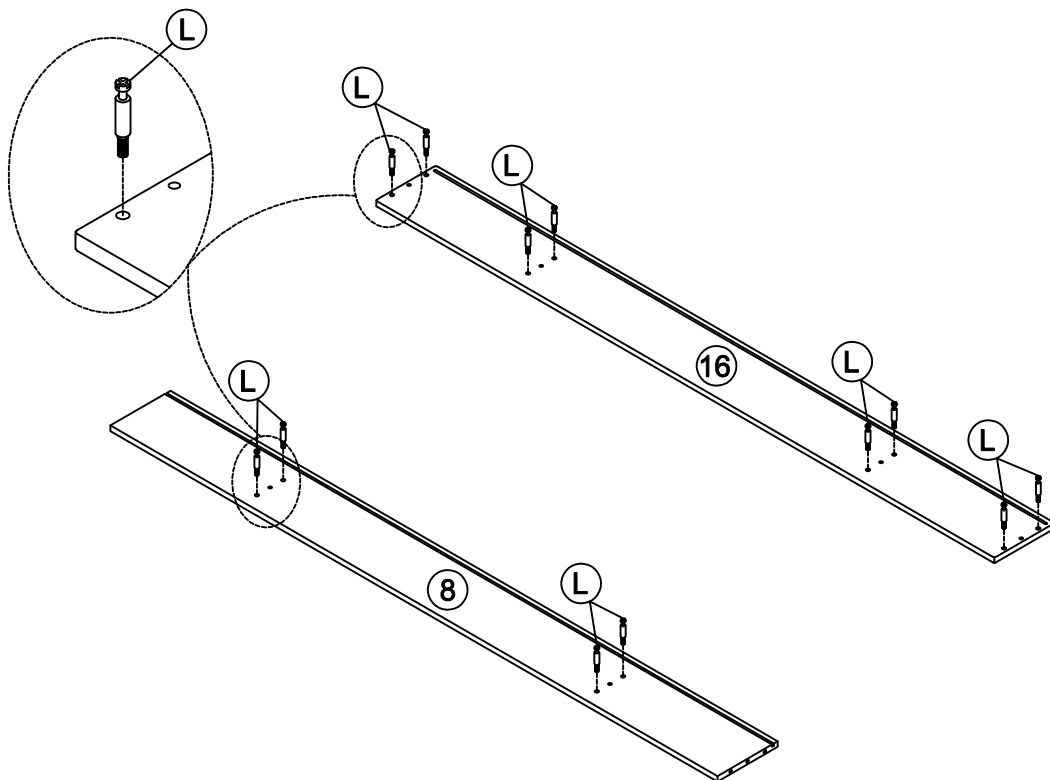
4PCS

N 4x58

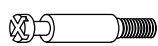


1PC

Step 6



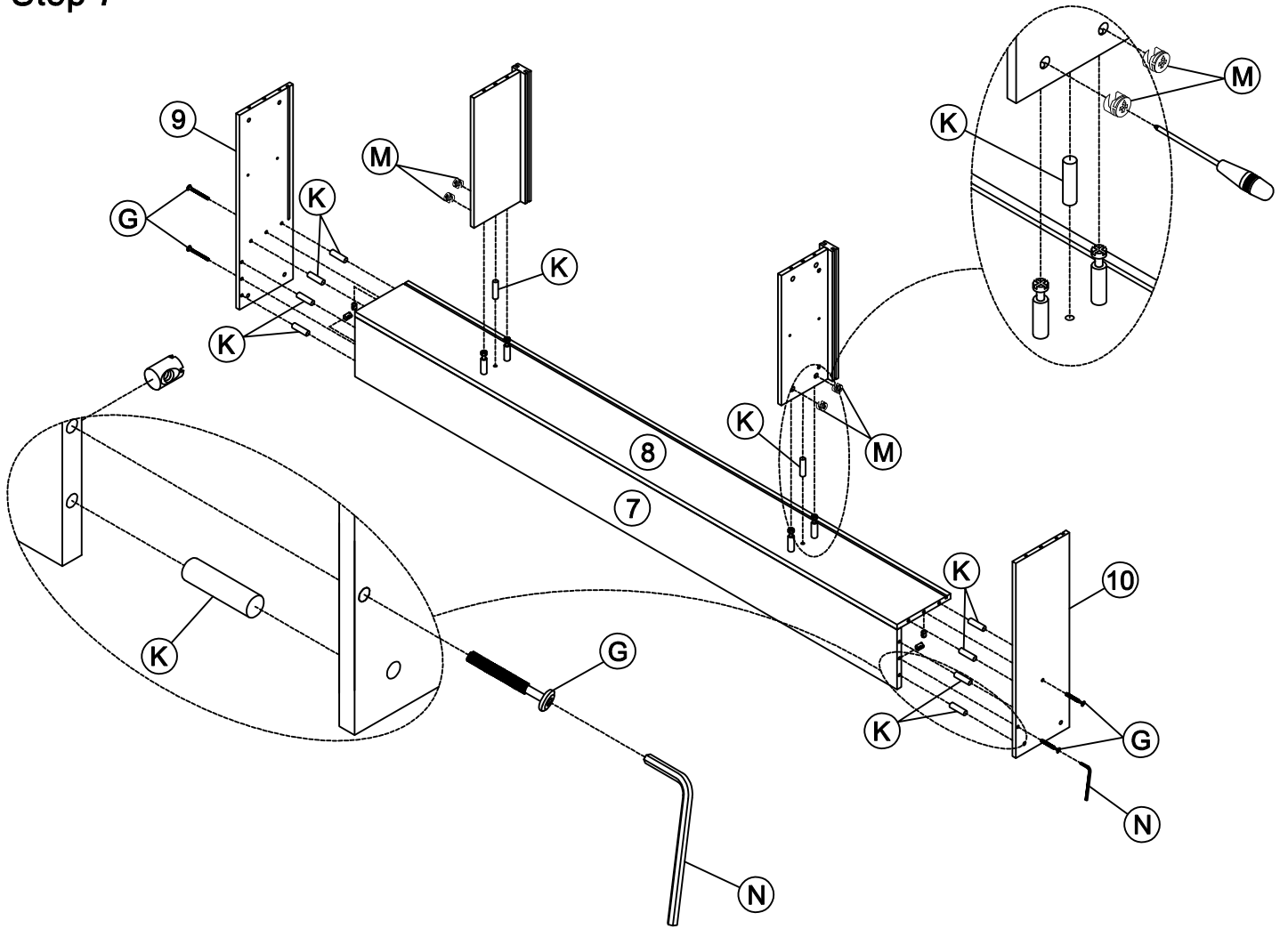
L Ø 6.5x35







12PCS

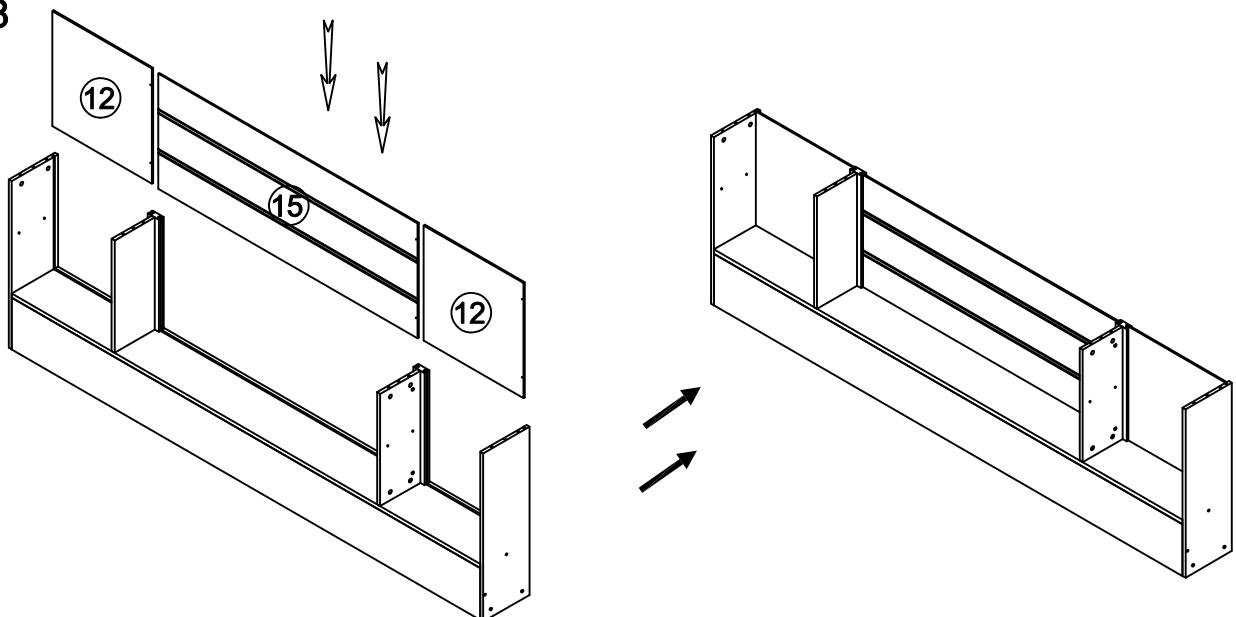
ASSEMBLY INSTRUCTIONS

Step 7



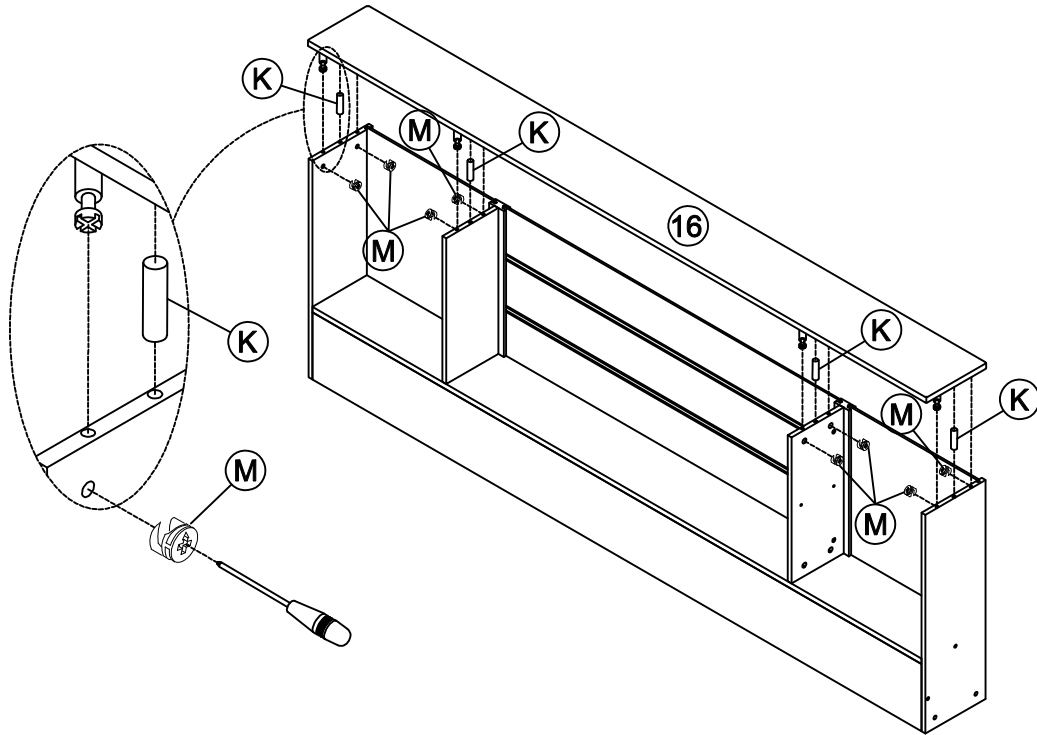
M	Ø12x10		4PCS	N	4x58		1PC
G	1/4x55		4PCS	K	Ø8x30		10PCS



Step 8



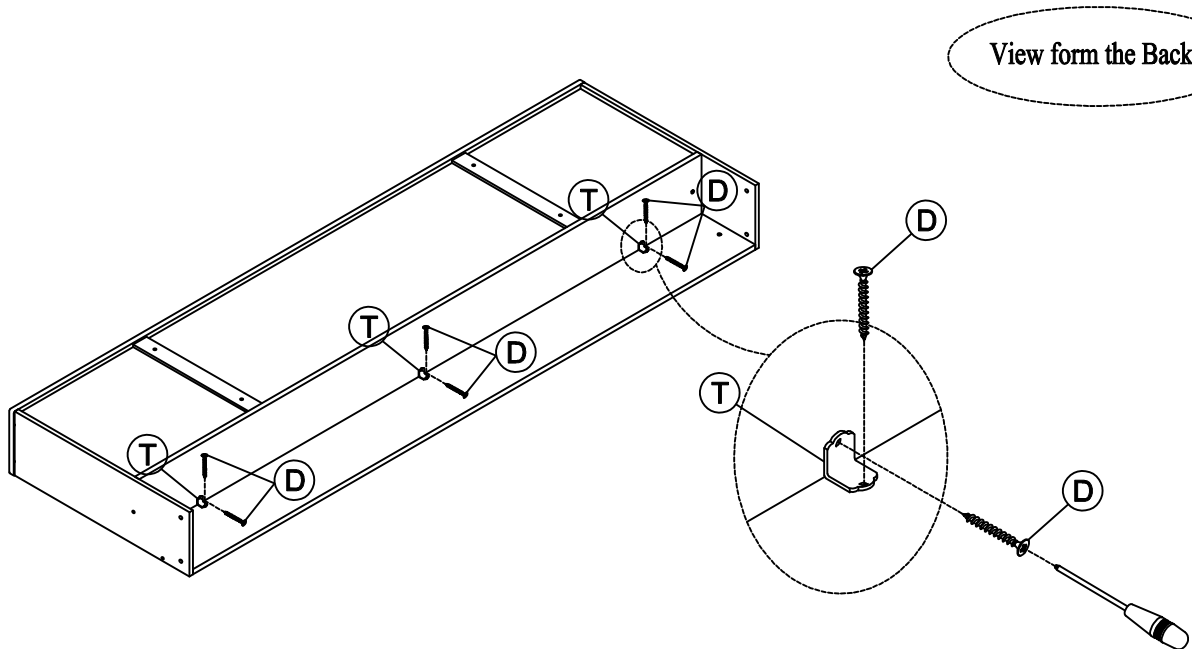
ASSEMBLY INSTRUCTIONS



Step 9



K	Ø8x30		4PCS	M	Ø12x10		8PCS
----------	-------	---	------	----------	--------	---	------

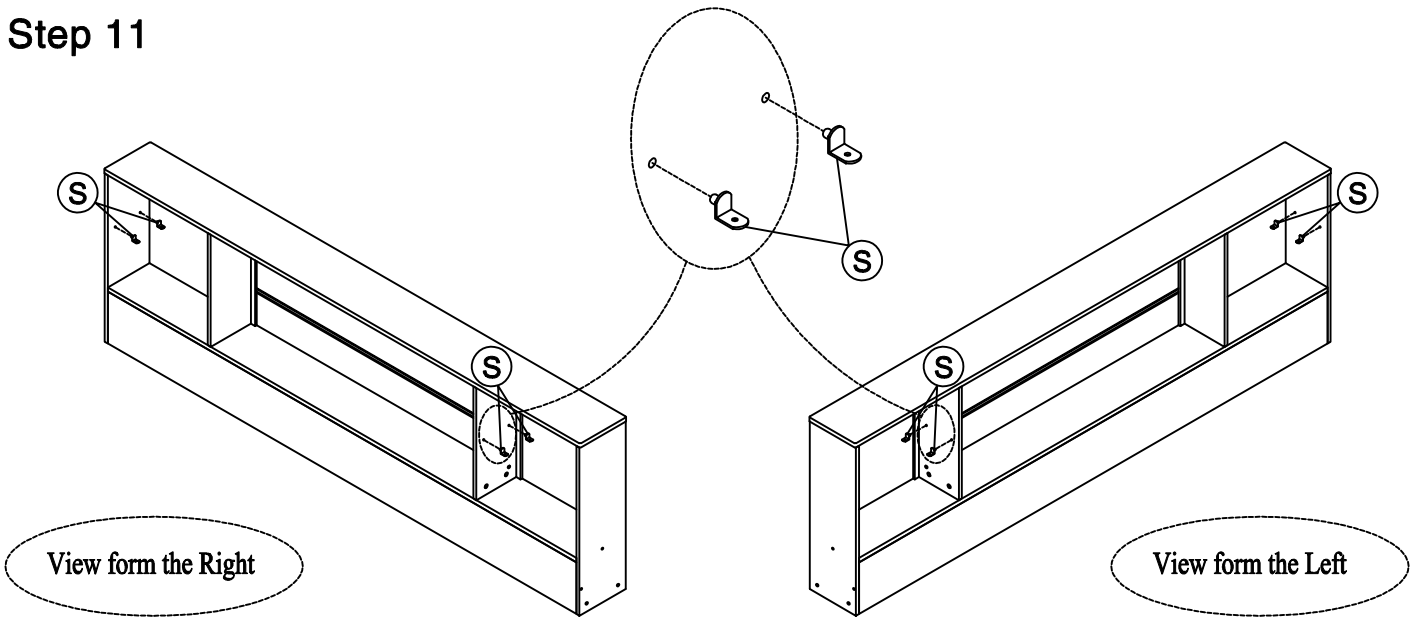
Step 10



T	15x15x2		3PCS	D	Ø3.5x12		6PCS
----------	---------	---	------	----------	---------	---	------

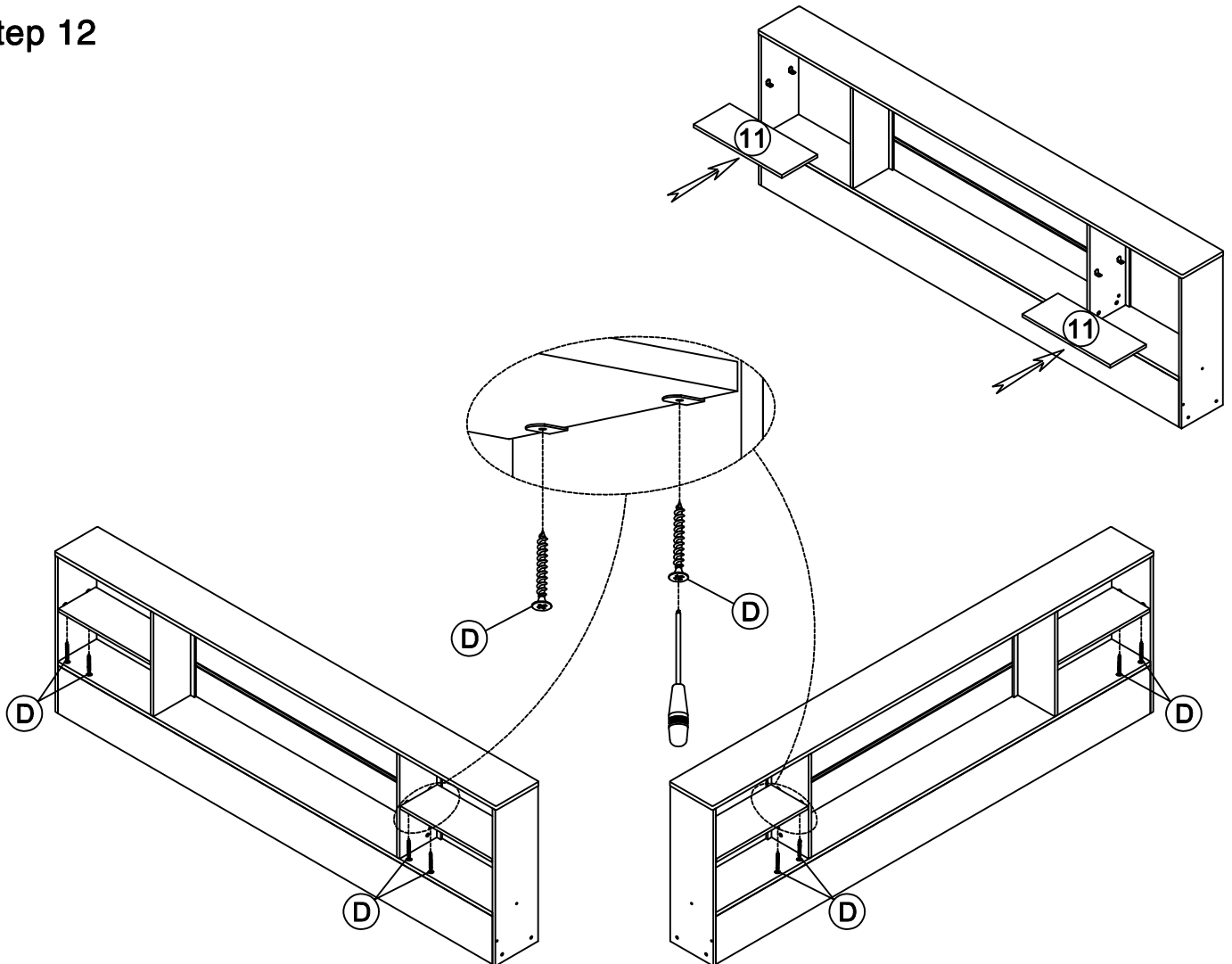
ASSEMBLY INSTRUCTIONS


Step 11



S	29x13x17		8PCS
----------	----------	---	------

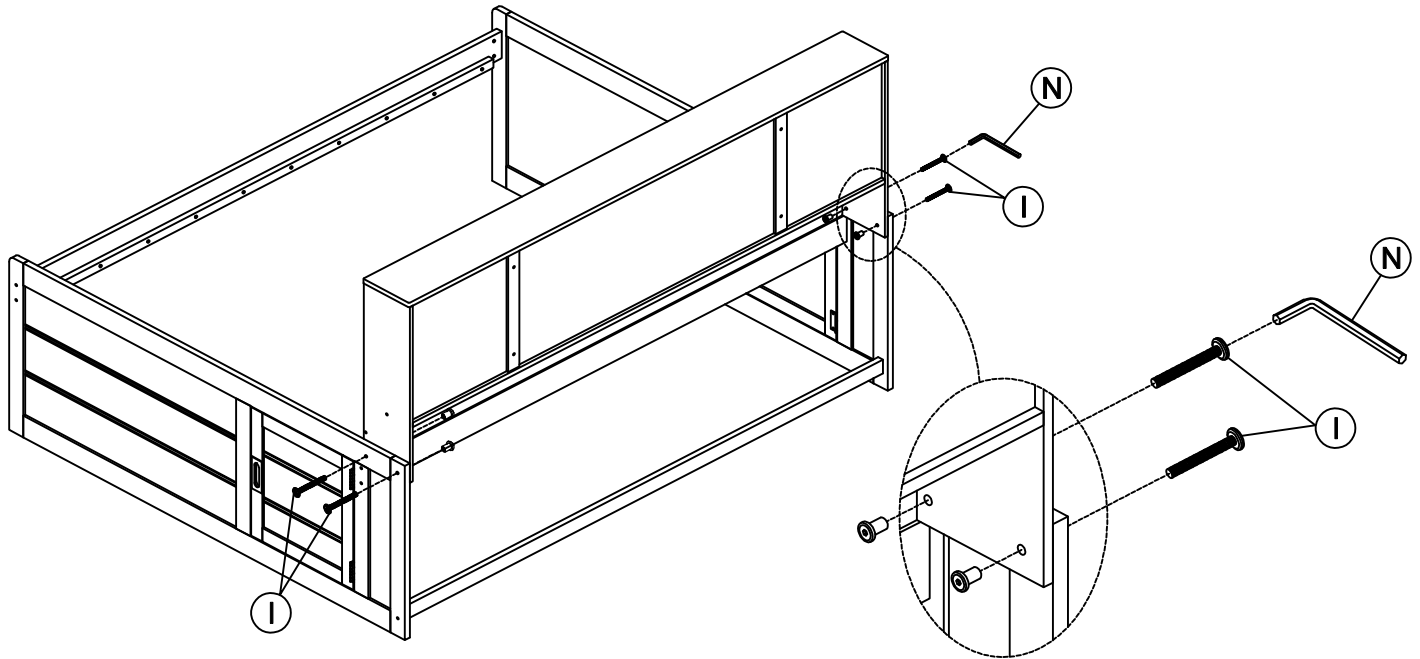
Step 12





D	Ø3.5x12		8PCS
----------	---------	---	------

ASSEMBLY INSTRUCTIONS

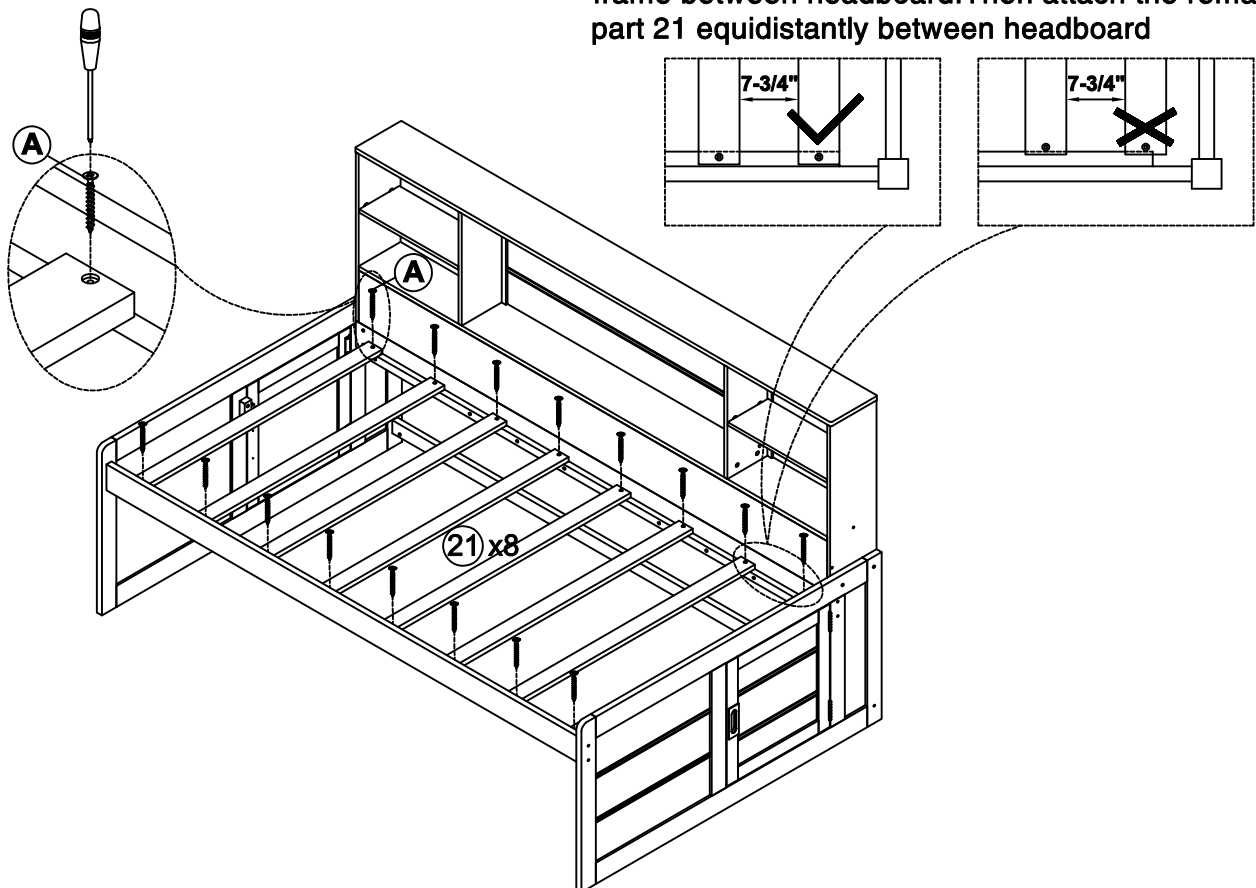
Step 13



I	1/4x25		4PCS	N	4x58		1PC
----------	--------	---	------	----------	------	---	-----

Step 14

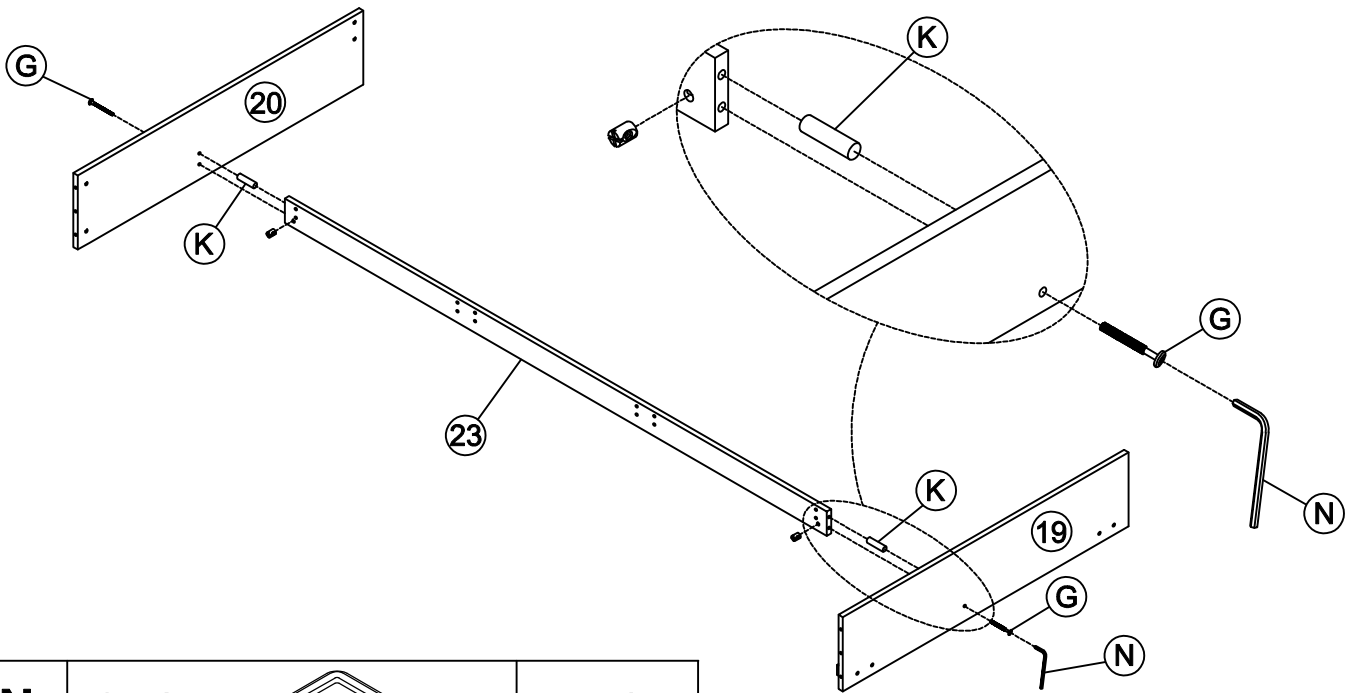
First attach 2pcs part 21 to the front and end of the frame between headboard. Then attach the remaining part 21 equidistantly between headboard



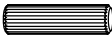


A	Ø4x30		16PCS
----------	-------	---	-------

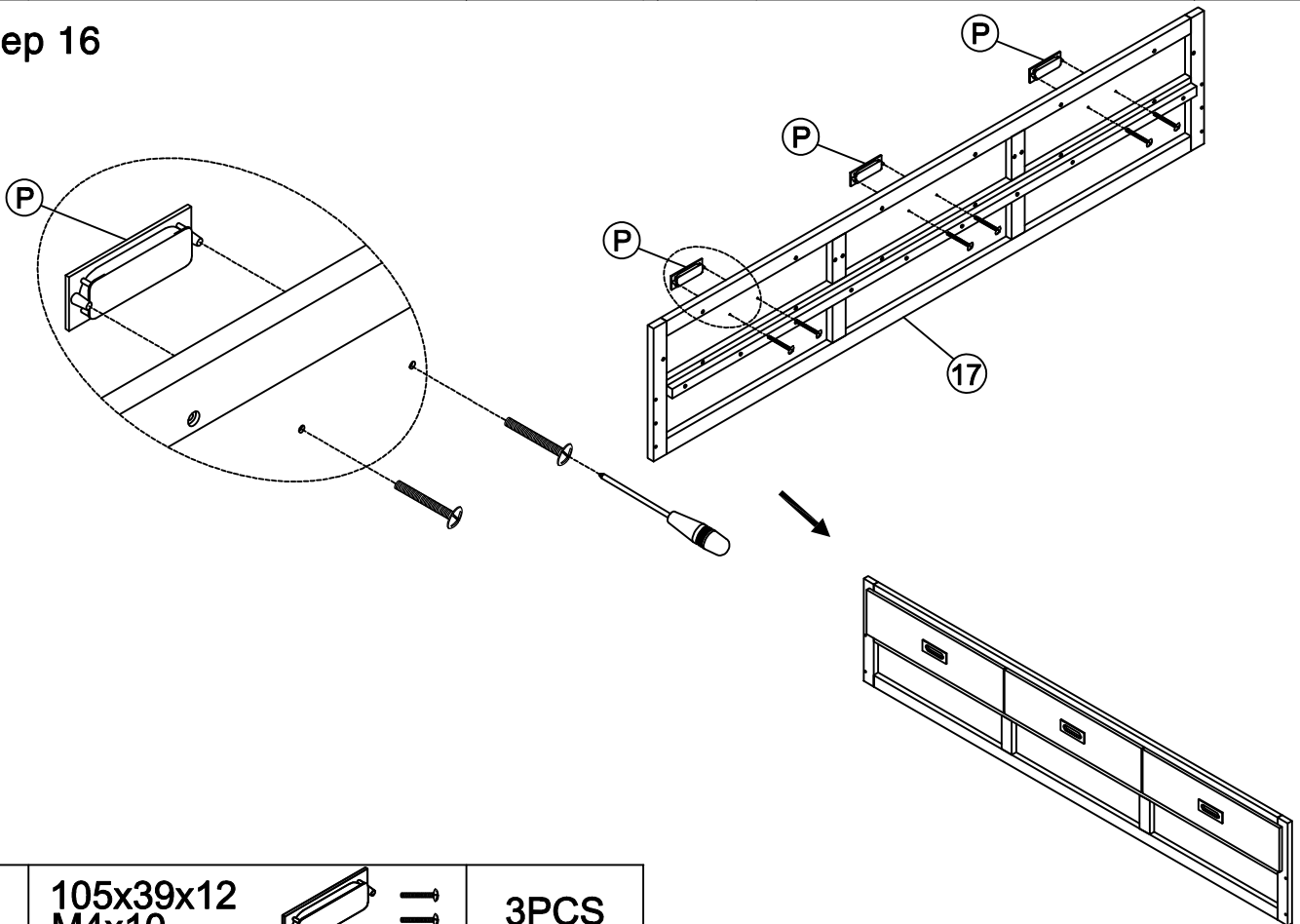
ASSEMBLY INSTRUCTIONS

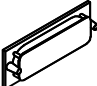
Step 15



N	4x58		1PC				
G	1/4x55		2PCS	K	Ø8x30		2PCS

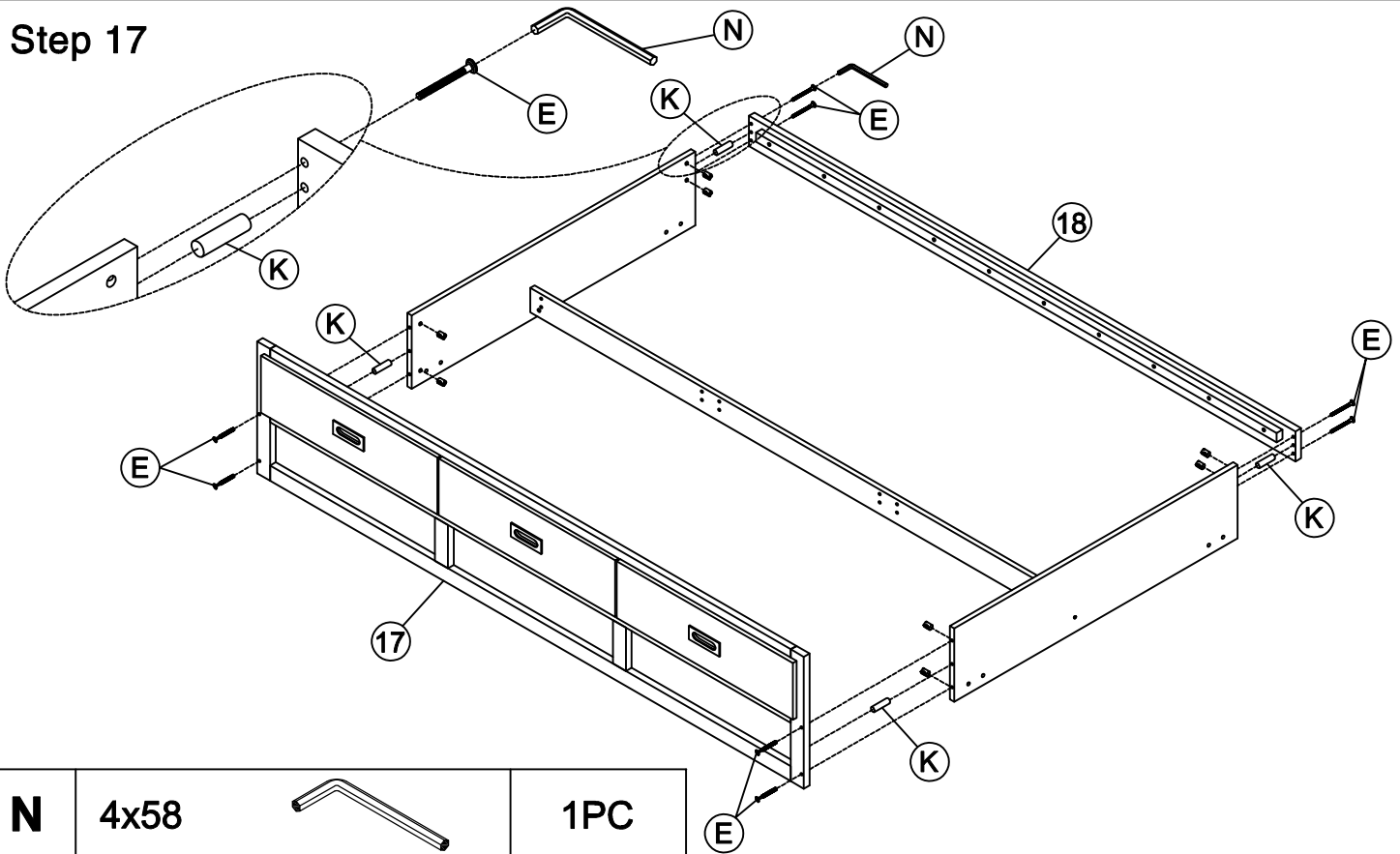
Step 16



P	105x39x12 M4x10		3PCS			
----------	--------------------	---	------	--	--	--

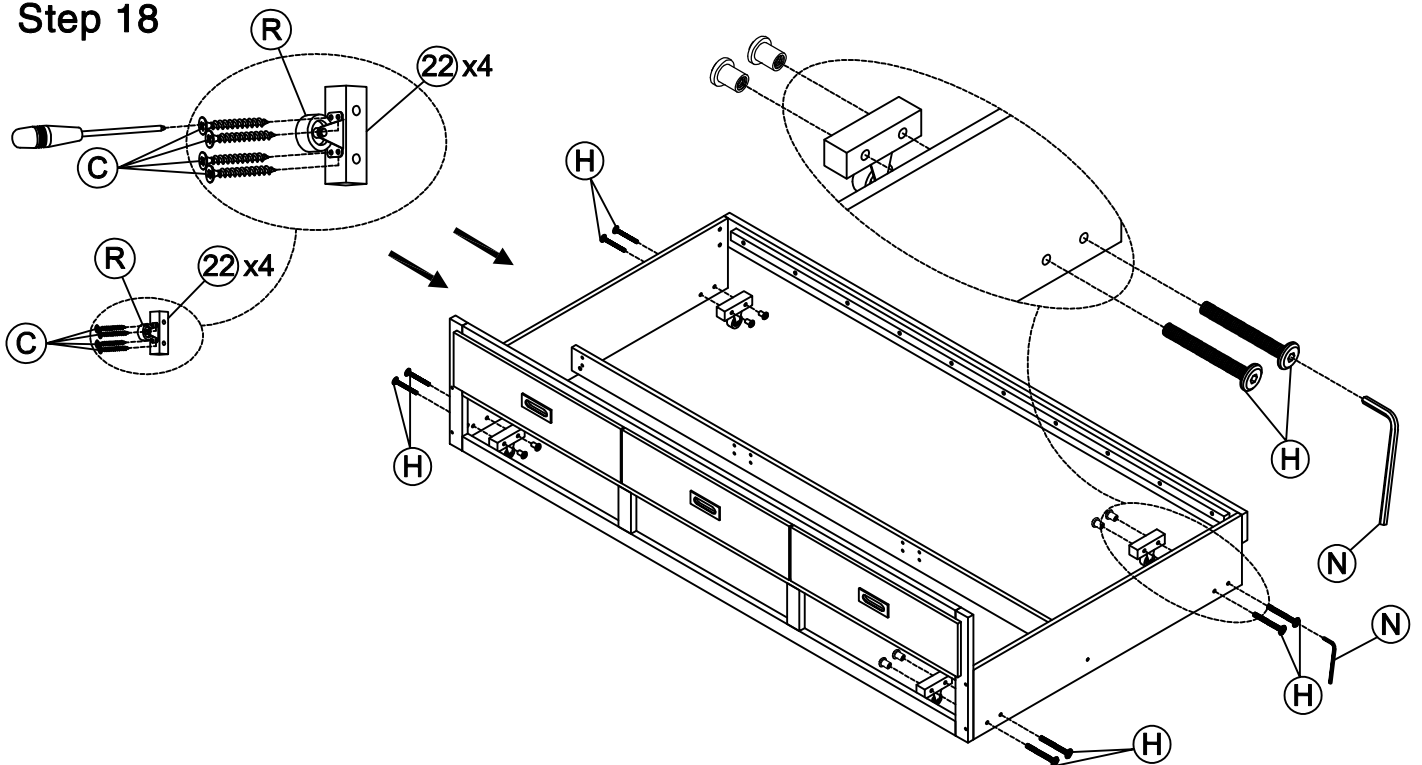
ASSEMBLY INSTRUCTIONS

Step 17



N	4x58		1PC	E	1/4x65		8PCS	K	Ø8x30		4PCS
----------	------	--	-----	----------	--------	--	------	----------	-------	--	------

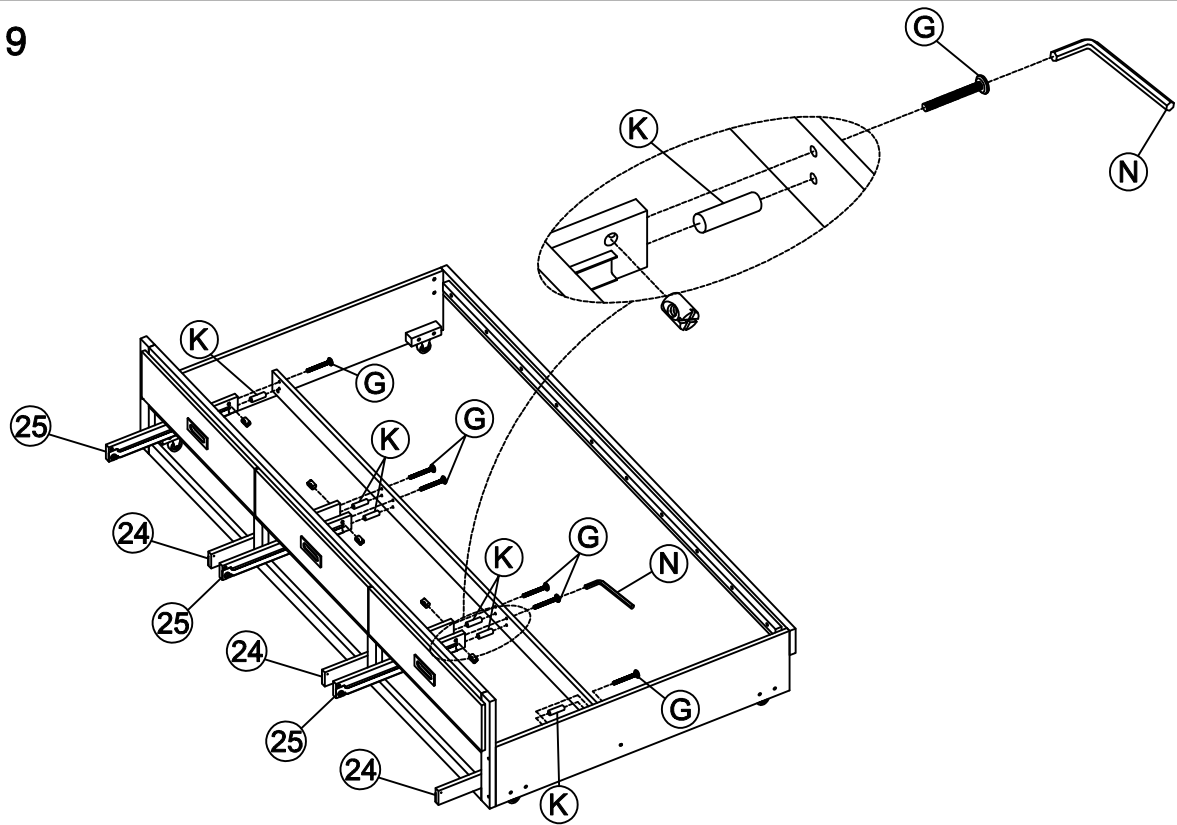
Step 18






R	Ø38x46x38		4PCS	C	Ø4x15		16PCS
H	1/4x40		8PCS	N	4x58		1PC

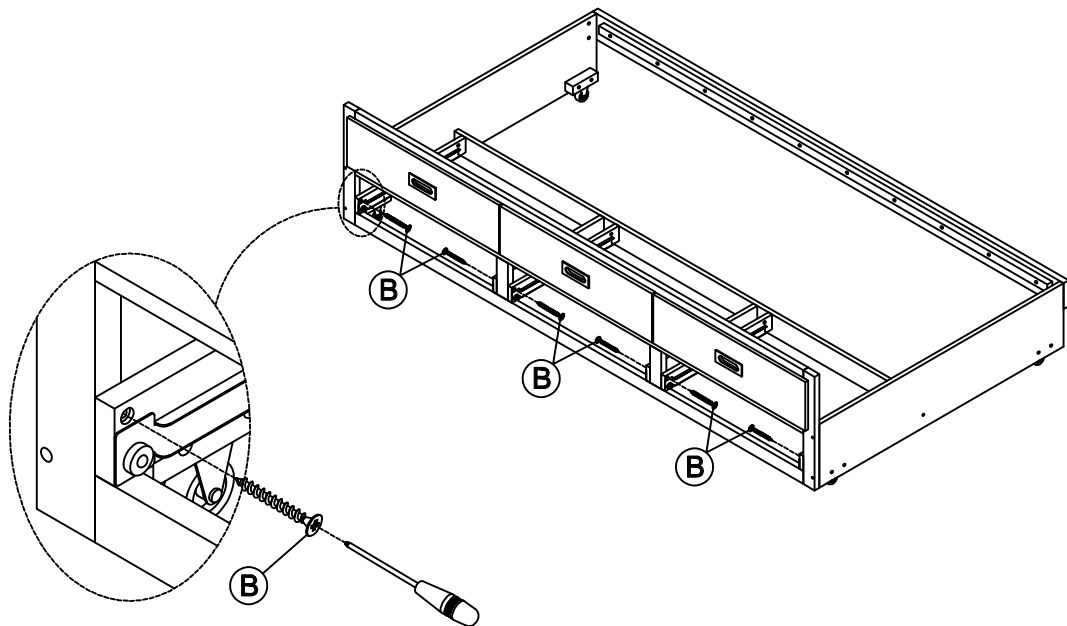
ASSEMBLY INSTRUCTIONS


Step 19



N	4x58		1PC				
K	Ø8x30		6PCS	G	1/4x55		6PCS

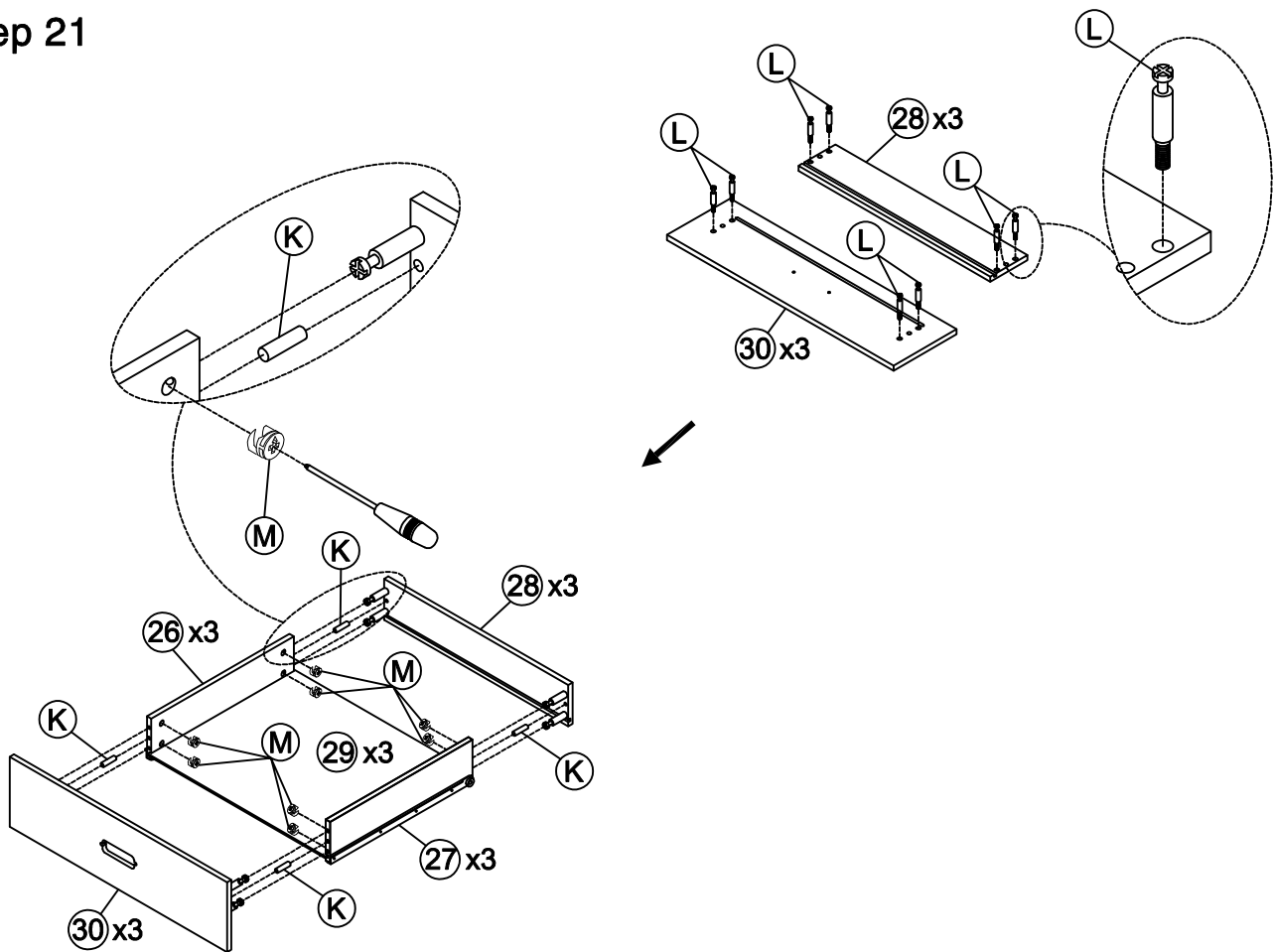
Step 20


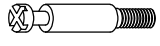
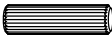


B	Ø4x25		6PCS
----------	-------	---	------

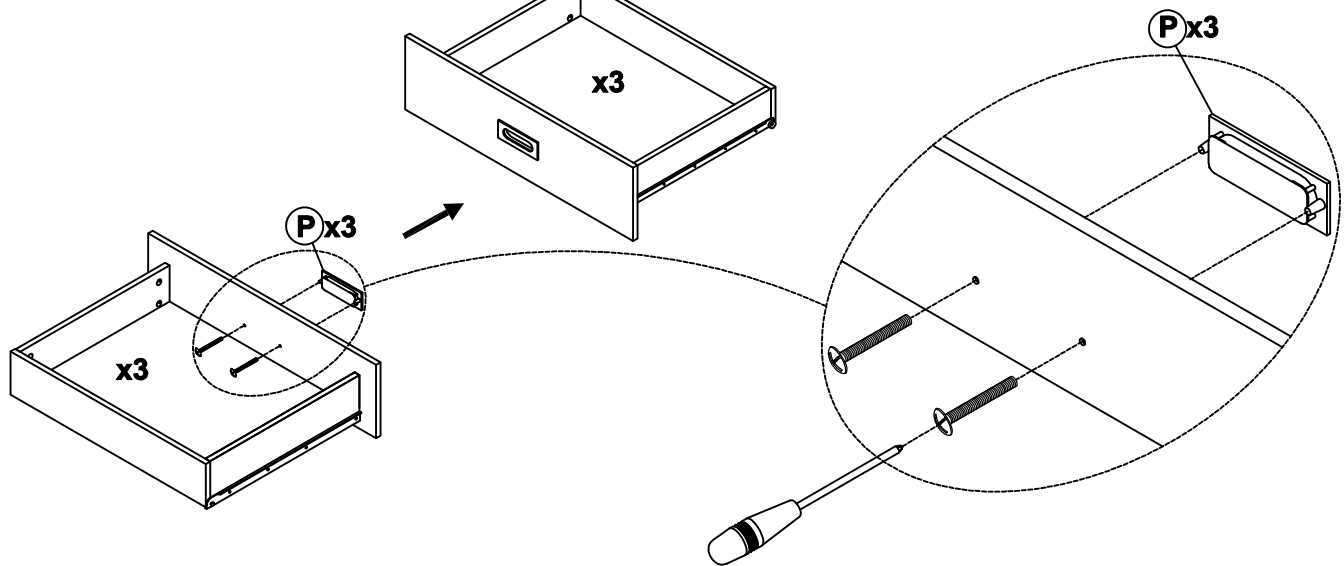
ASSEMBLY INSTRUCTIONS

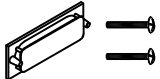
Step 21



				M	Ø12x10		24PCS
L	Ø 6.5x35		24PCS	K	Ø8x30		12PCS

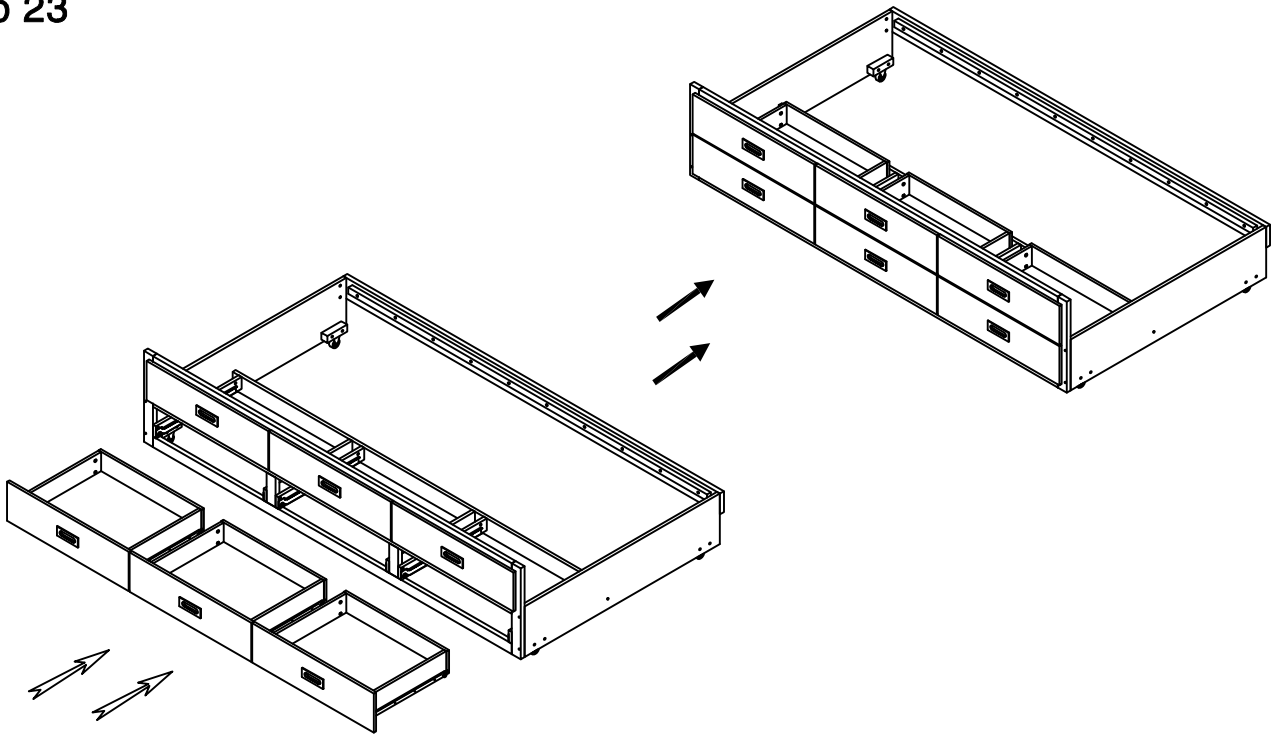
Step 22



P	105x39x12 M4x10		3PCS
----------	--------------------	---	------

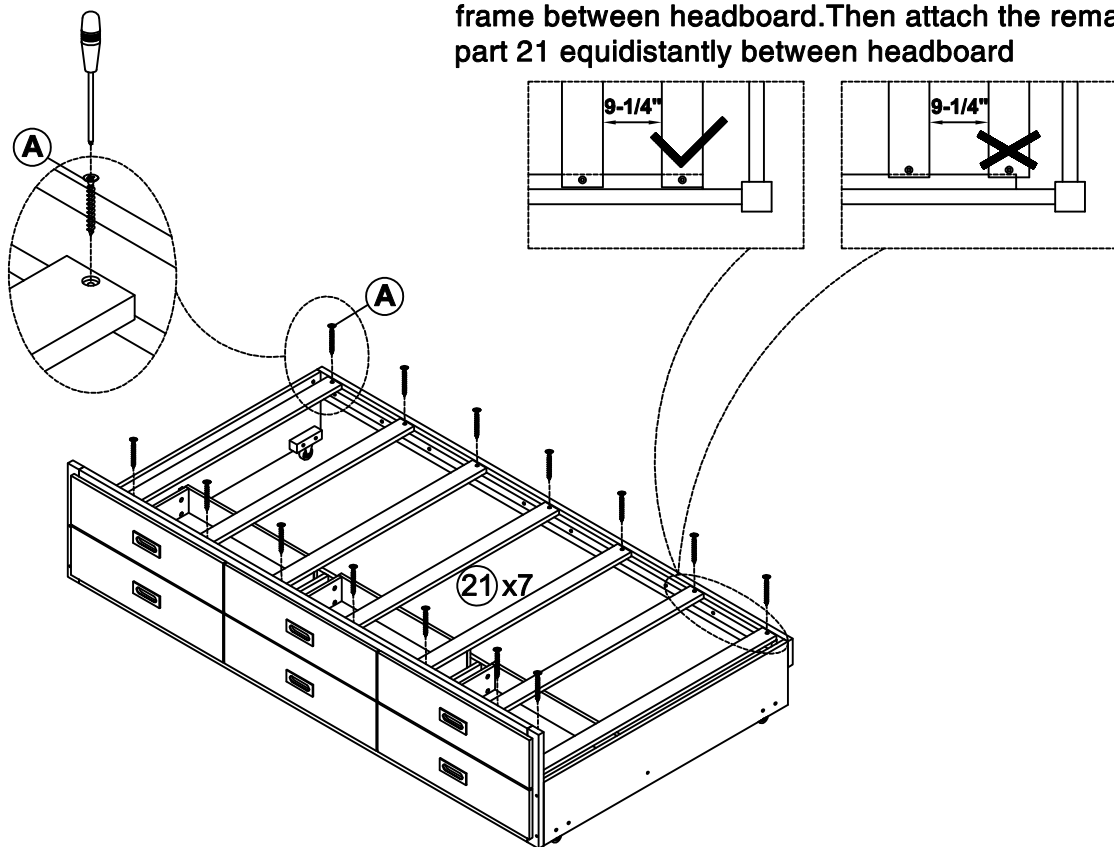
ASSEMBLY INSTRUCTIONS

Step 23



Step 24

First attach 2pcs part 21 to the front and end of the frame between headboard. Then attach the remaining part 21 equidistantly between headboard



A

Ø4x30



14PCS

ASSEMBLY INSTRUCTIONS

Step 25

