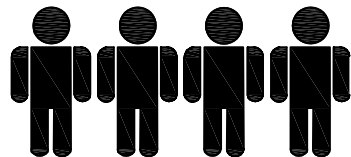
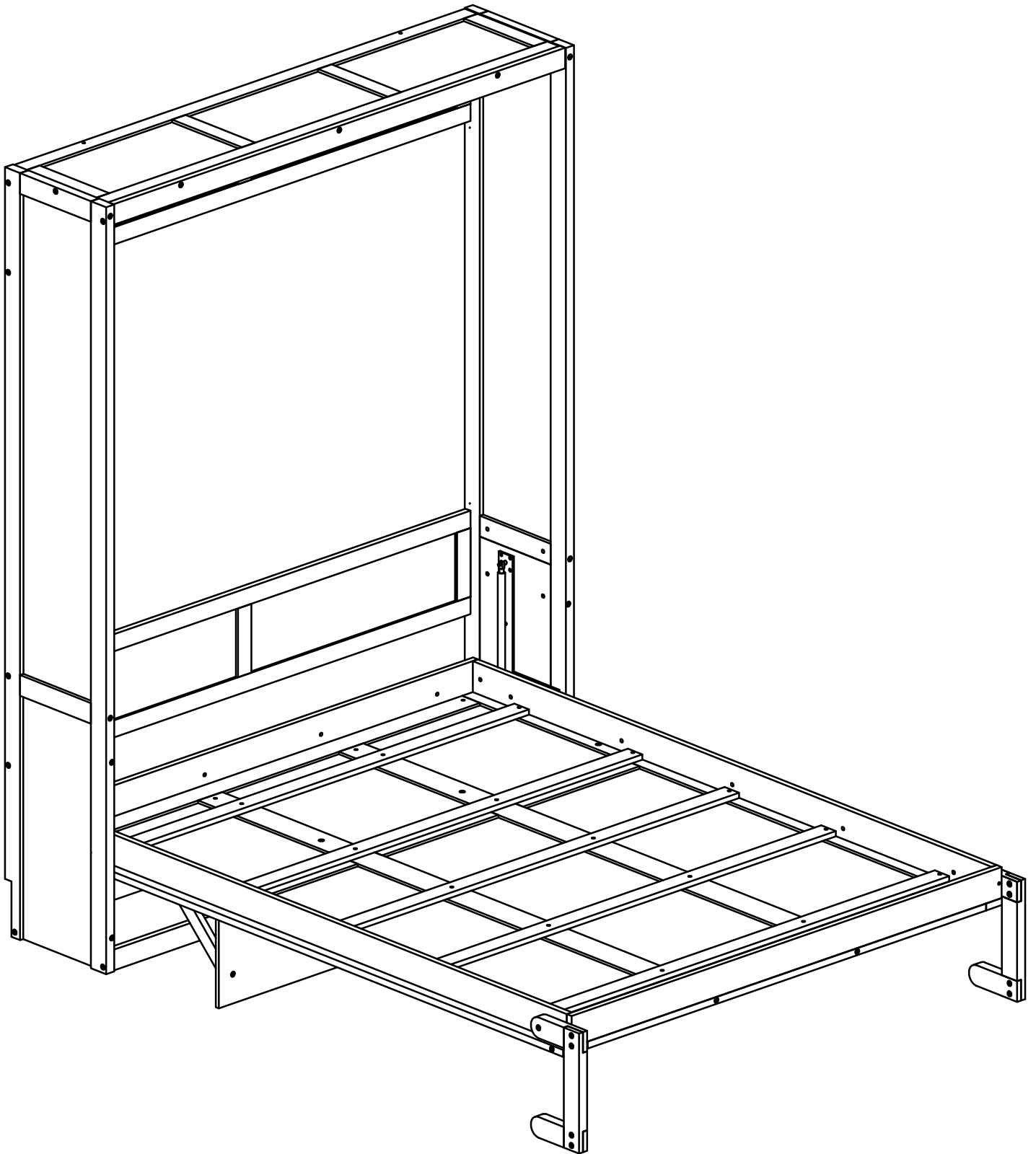


# ASSEMBLY INSTRUCTION

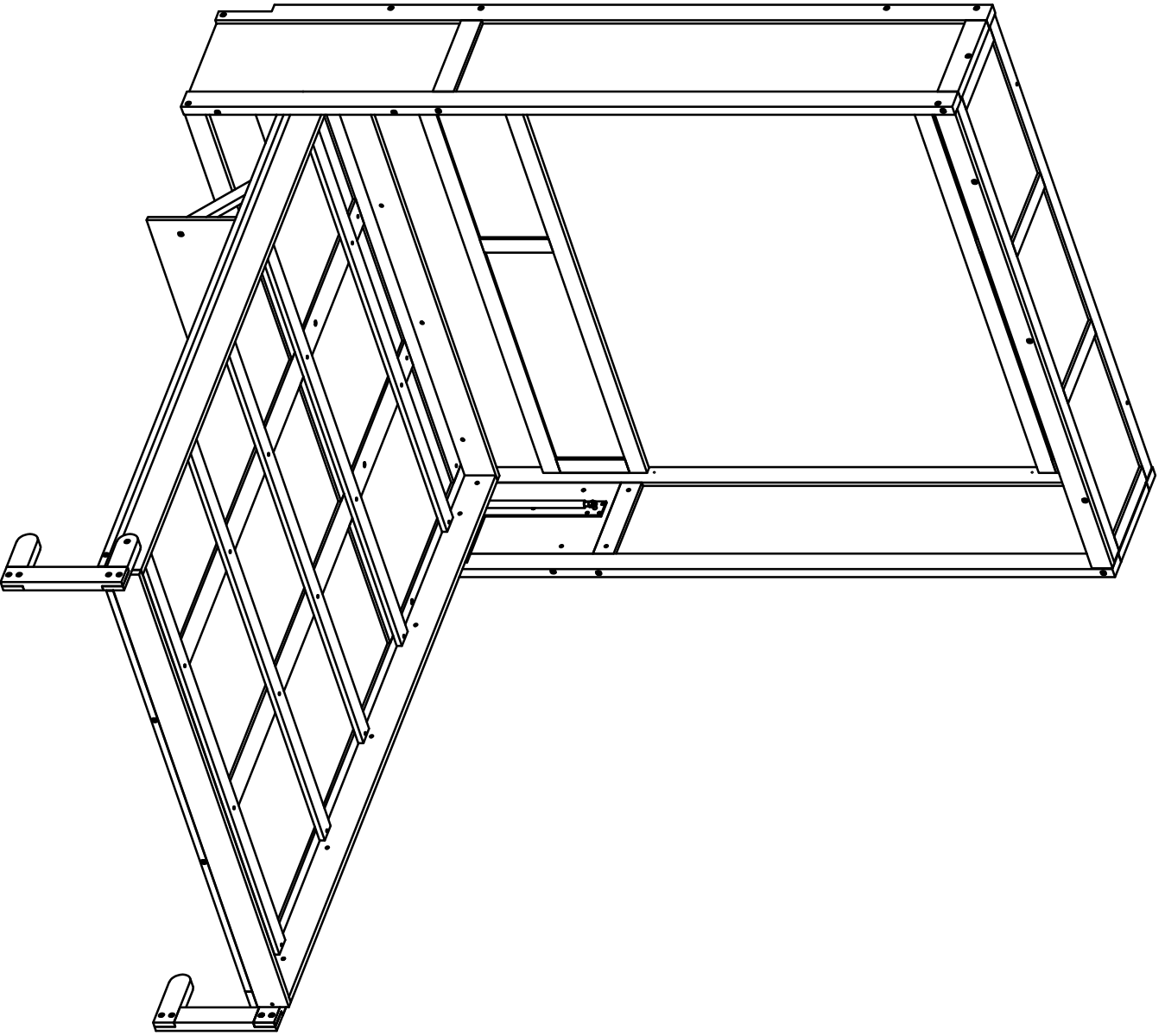
SKU CODE: (WF530194-WF530195)



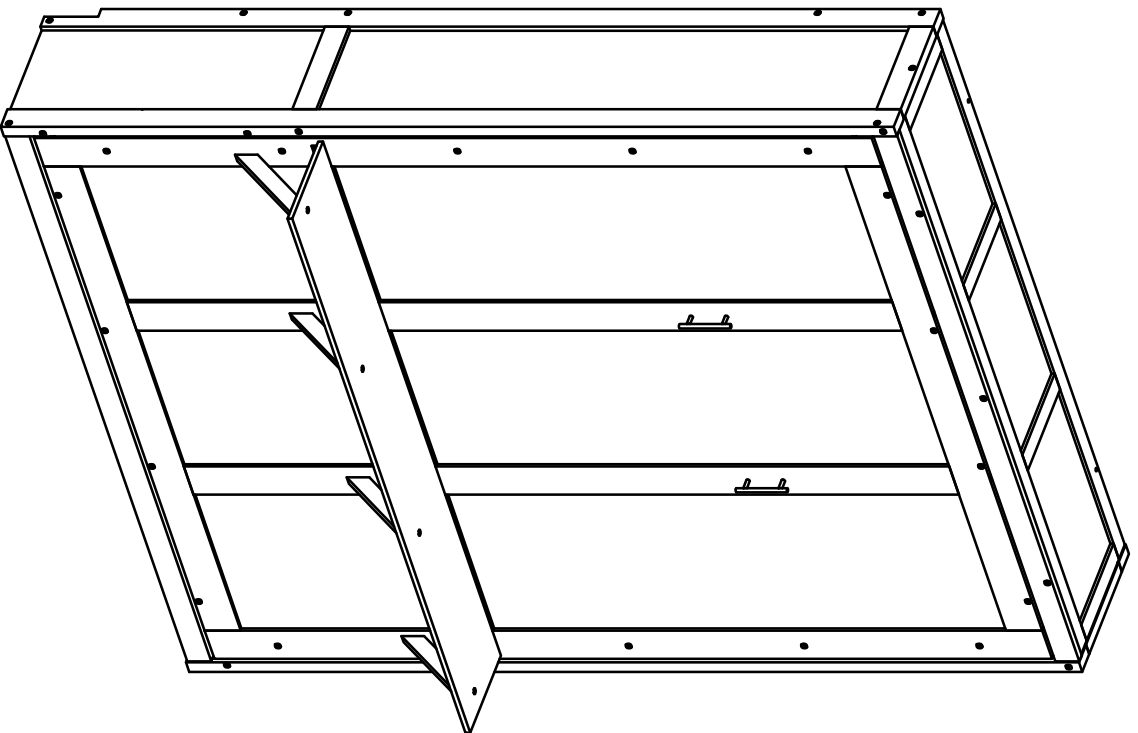
Four people are required to assemble and move this model.

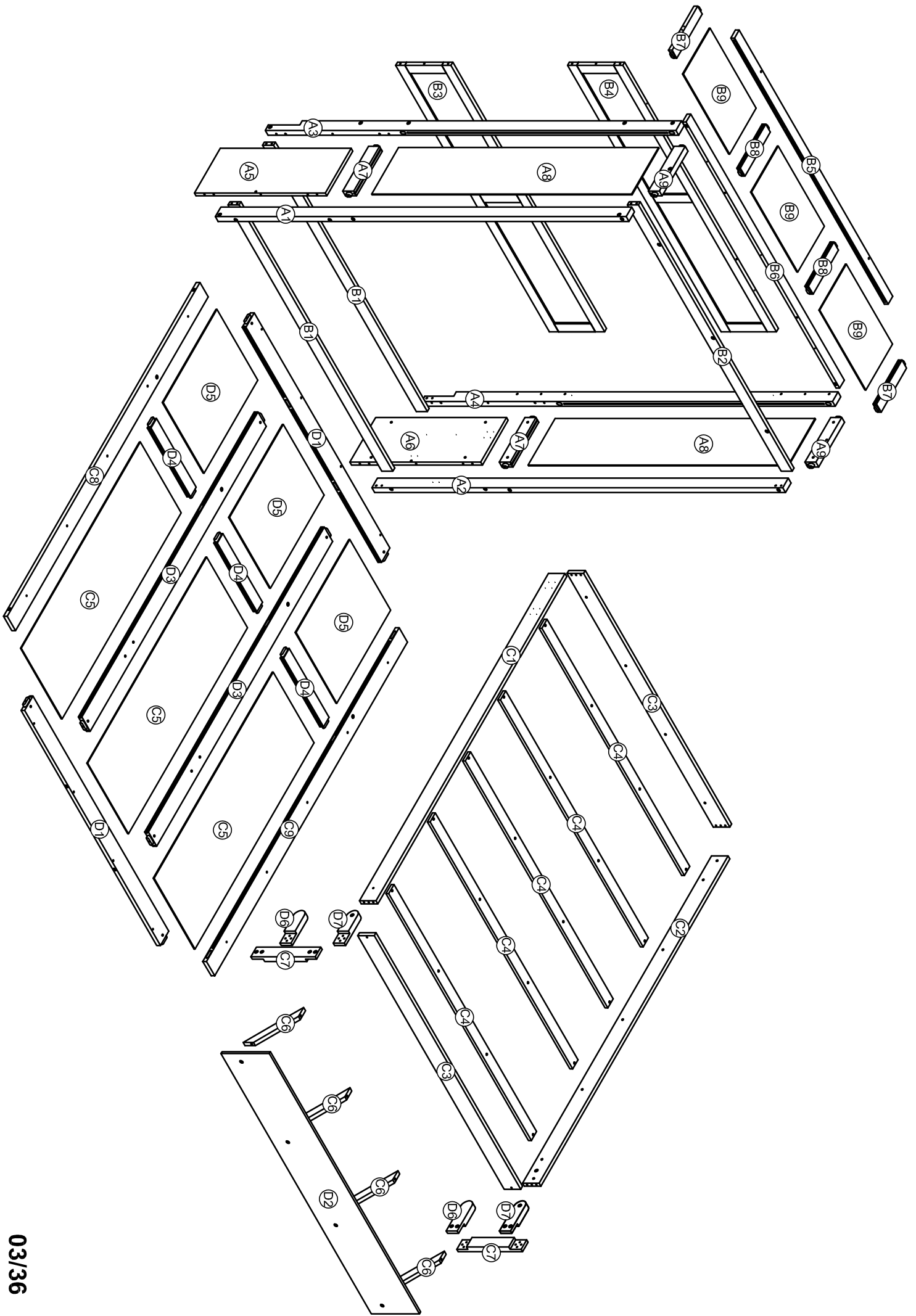
Note: This bed must be equipped with a mattress equivalent to 39 lb

OPTION 1



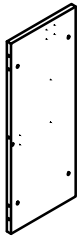
OPTION 2





# Part List & Hardware List (Box 1-WF530194)

A5



Panel-1pc

A6



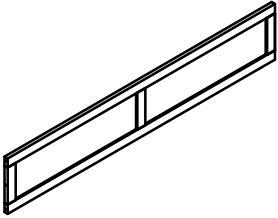
Panel-1pc

A8



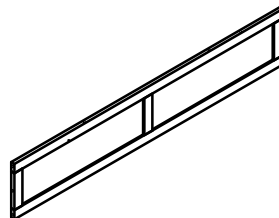
Panel-2pcs

B3



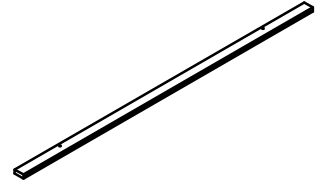
Panel-1pc

B4



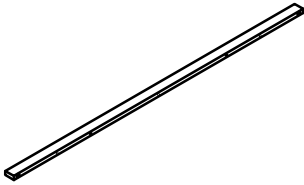
Panel-1pc

B5



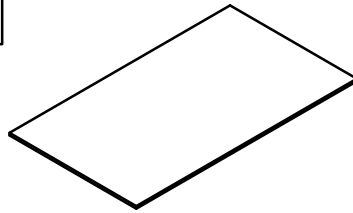
WoodBar-1pc

B6



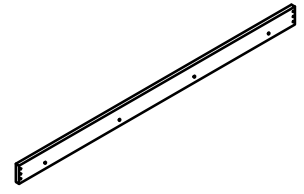
WoodBar-1pc

B9



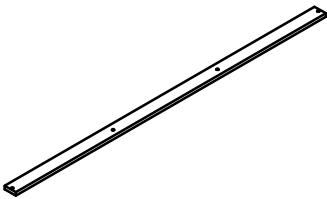
Panel-3pcs

C3



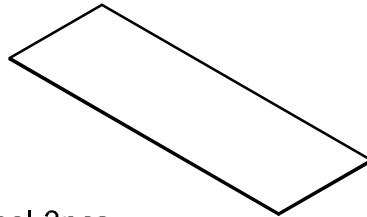
WoodBar-2pcs

C4



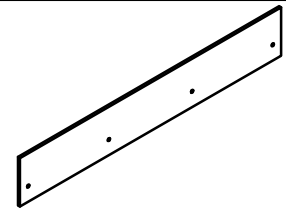
WoodBar-5pcs

C5



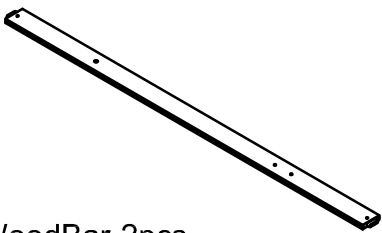
Panel-3pcs

D2



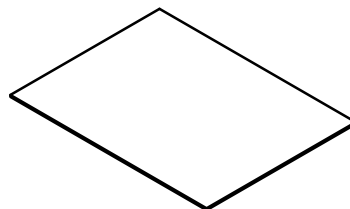
Panel-1pc

D3



WoodBar-2pcs

D5



Panel-3pcs

# Part List (Box 2-WF530195)

A1



WoodBar-1pc

A2



WoodBar-1pc

A3



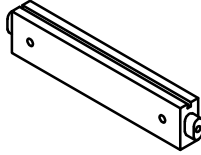
WoodBar-1pc

A4



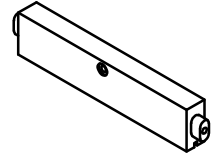
WoodBar-1pc

A7



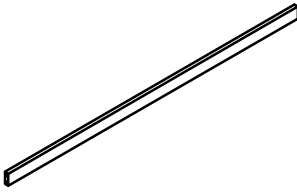
WoodBar-2pcs

A9



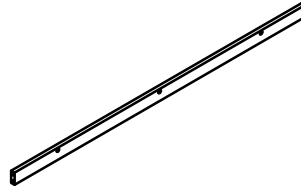
WoodBar-2pcs

B1



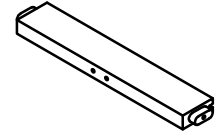
WoodBar-2pcs

B2



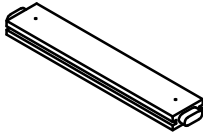
WoodBar-1pc

B7



WoodBar-2pcs

B8



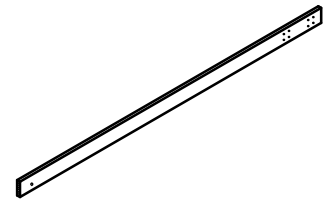
WoodBar-2pcs

C1



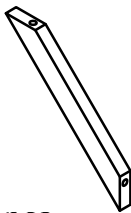
WoodBar-1pc

C2



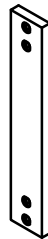
WoodBar-1pc

C6



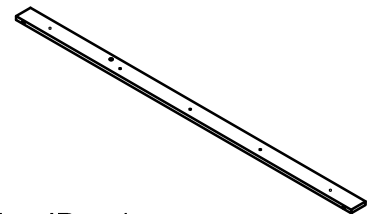
WoodBar-4pcs

C7



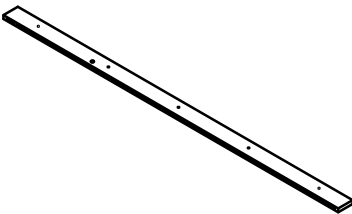
WoodBar-2pcs

C8



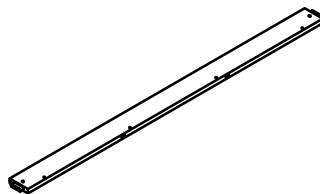
WoodBar-1pc

C9



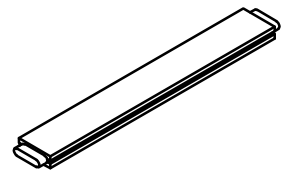
WoodBar-1pc

D1



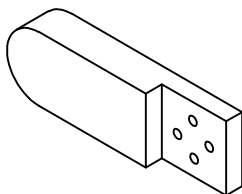
WoodBar-2pcs

D4



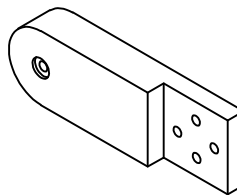
WoodBar-3pcs

D6



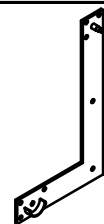
WoodBar-2pcs

D7



WoodBar-2pcs

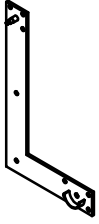
D8



Metal corner link-1pc

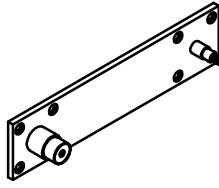
# Part List (Box 2-WF530195)

D9



Metal corner link-1pc

E1



Metal corner link-2pcs




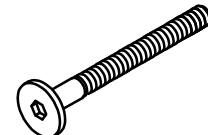
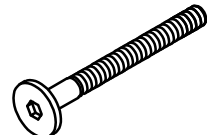
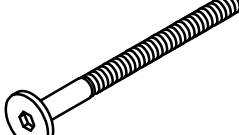
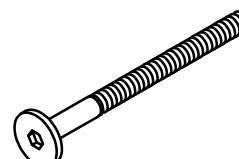



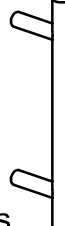



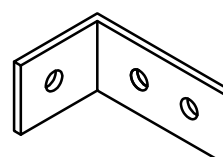


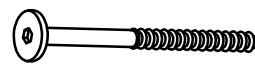


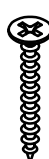
E2

700N



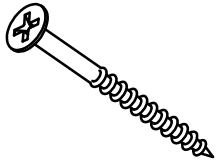
Piston Steam-2pcs

# Hardware List (Box 2-WF530195)

<p>1</p>  <p>Ø1/4" x 20 mm Hex-Head bolts 12pcs</p>	<p>2</p>  <p>Ø1/4" x 30 mm Hex-Head bolts 4pcs</p>	<p>3</p>  <p>Ø1/4" x 40 mm Hex-Head bolts 2pcs</p>
<p>4</p>  <p>Ø1/4" x 60 mm Hex-Head bolts 22pcs</p>	<p>5</p>  <p>Ø1/4" x 70 mm Hex-Head bolts 14pcs</p>	<p>6</p>  <p>Ø1/4" x 100 mm Hex-Head bolts 14pcs</p>
<p>7</p>  <p>Ø1/4" x 120 mm Hex-Head bolts 8pcs</p>	<p>8</p>  <p>Bolts 1/6" x20 4pcs</p>	<p>9</p>  <p>Ø8 x 30 mm Wood dowel 35pcs</p>
<p>10</p>  <p>Ø8 x 20 mm Wood dowel 8pcs</p>	<p>11</p>  <p>Handle 2pcs</p>	<p>12</p>  <p>Ø1/4" x 13 mm Horizontal-Hole bolts 60pcs</p>
<p>13</p>  <p>Ø1/4" x 15 mm Canopy head though 10pcs</p>	<p>14</p> <p>Nhựa trắng</p>  <p>Ø20 / Ø6 x 2 mm Washer 2pcs</p>	<p>15</p>  <p>Angle Metal 4pcs</p>
<p>16</p>  <p>Allen Key 2pcs</p>	<p>17</p>  <p>Screws 1/4" x40 5pcs</p>	<p>18</p>  <p>Screws 1/4" x70 4pcs</p>
<p>19</p>  <p>M4 x 20 mm Wood Screws 8pcs</p>	<p>20</p>  <p>M4 x 20 mm Wood Screws 36pcs</p>	<p>21</p>  <p>M4 x 30 mm Wood Screws 25pcs</p>

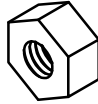
# Hardware List (Box 2-WF530195)

22



M5 x 75 mm  
Wood Screws 4pcs

23



Nut 4pcs

24



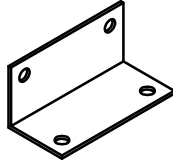
Xi trắng  
Ø1/3" x 40 mm  
Hex-Head bolts 2pcs

25



Bearings 2pcs

26



Angle Metal 4pcs

27



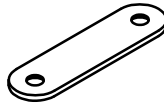
Screws 1/4" x50  
2pcs

28



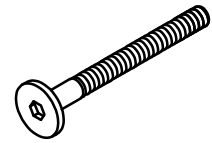
M3 x 12 mm  
Wood Screws 24pcs

29



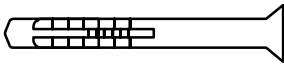
Metal 4pcs

30

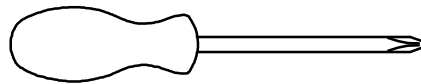


Ø1/4" x 80 mm  
Hex-Head bolts 2pcs

31



Plug 4pcs



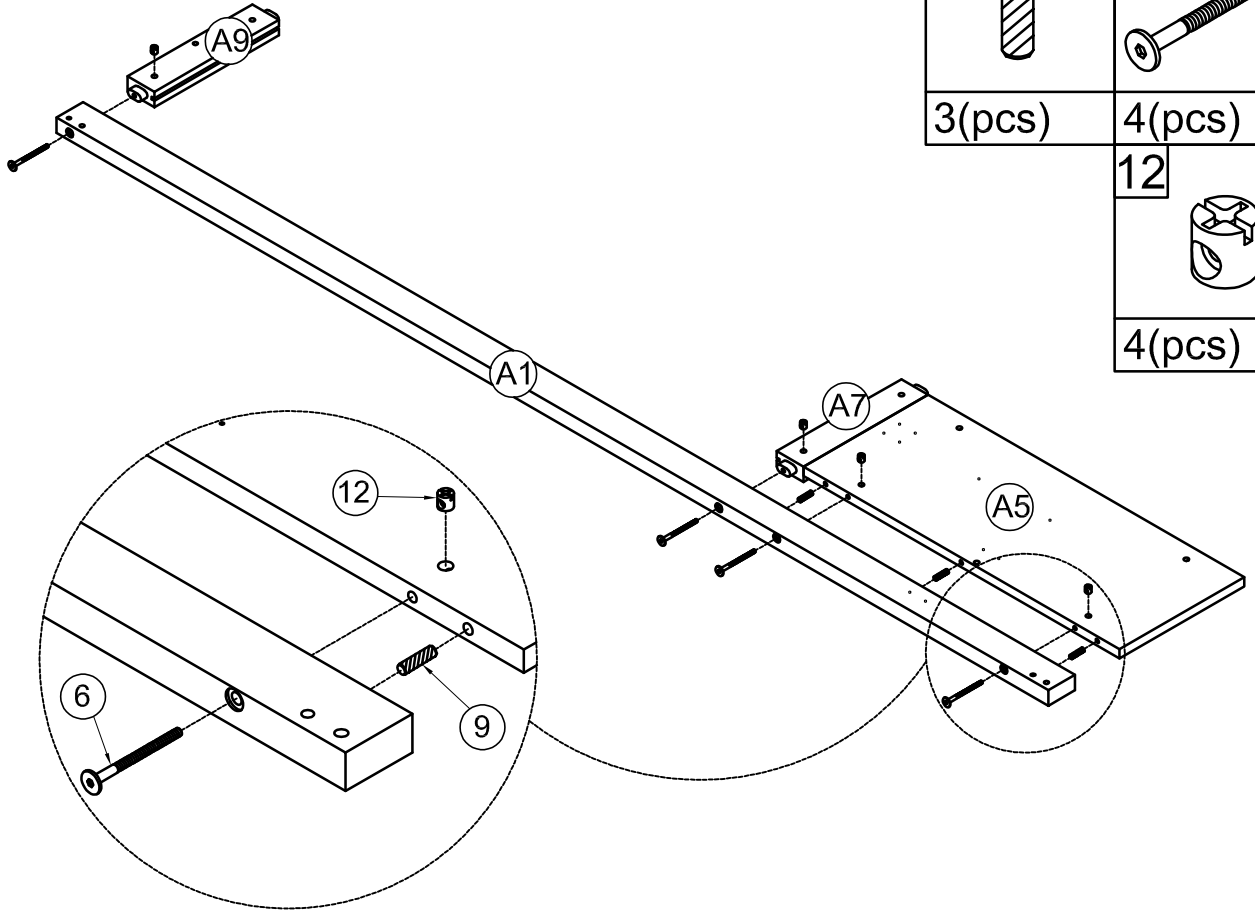
**Assembly Tools Required (Not Included)**



# STEP1: Following below illustration.



Installation video

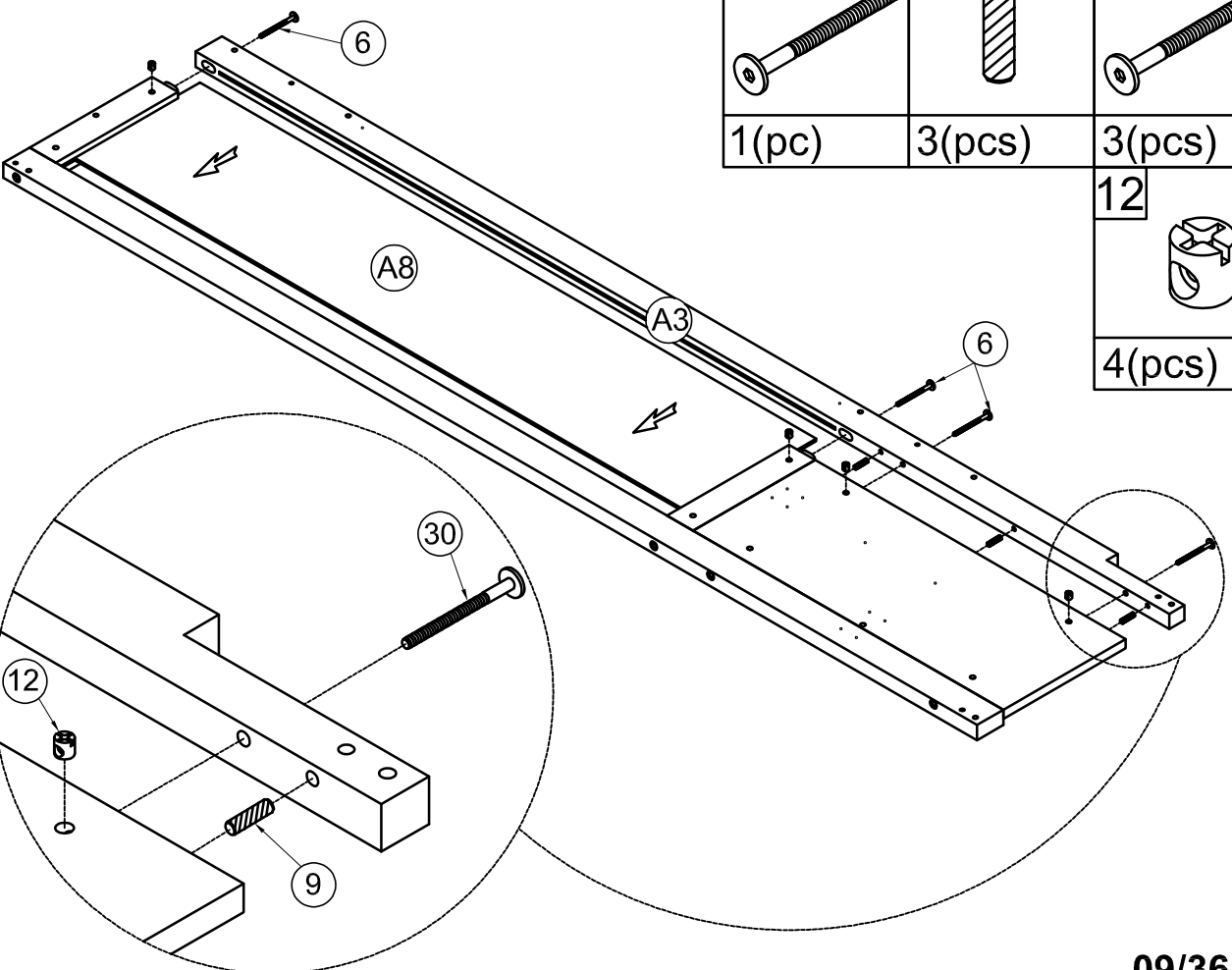


9		6	
3(pcs)		4(pcs)	
		12	
		4(pcs)	

# STEP2: Following below illustration.



Installation video

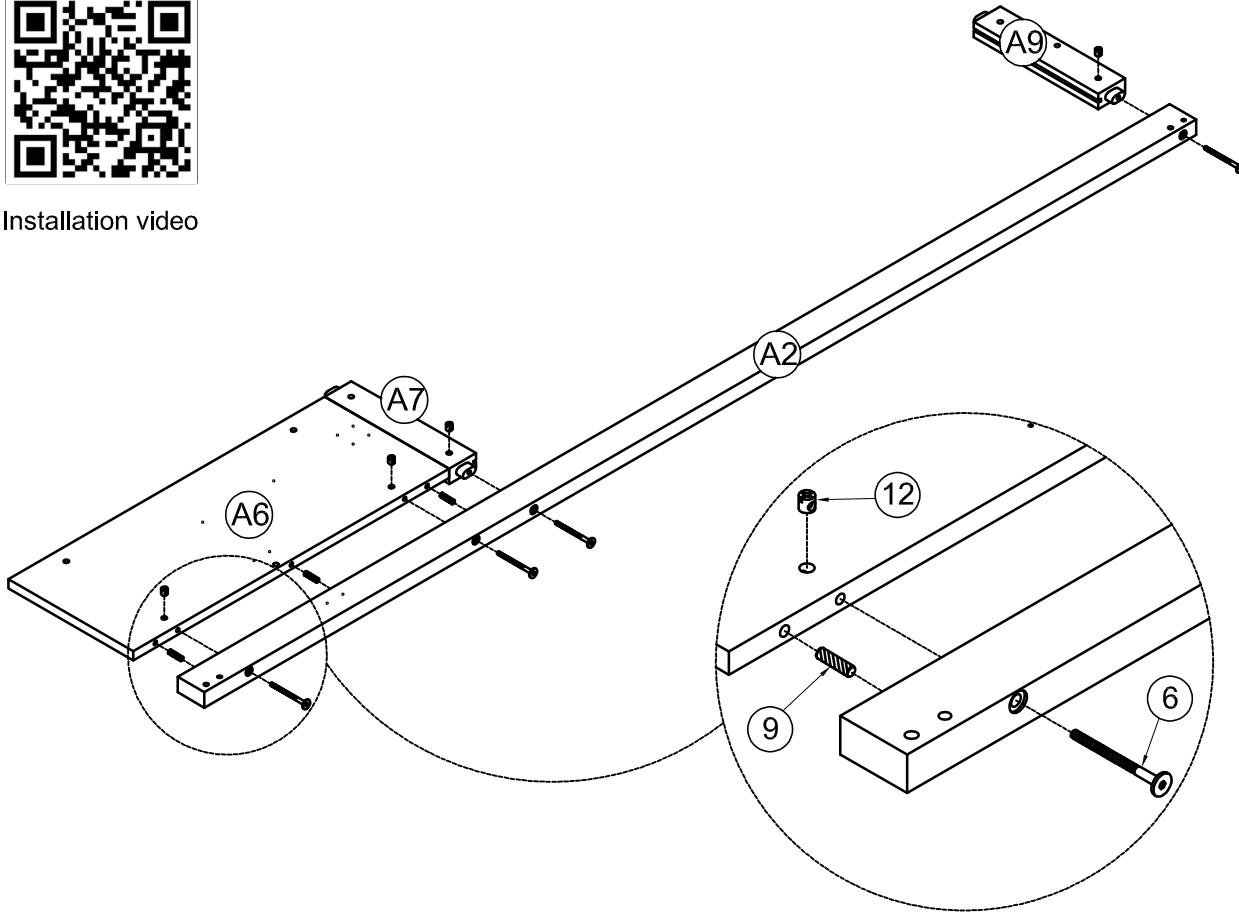


30		9		6	
1(pc)		3(pcs)		3(pcs)	
		12			
		4(pcs)			

### STEP3: Following below illustration.



Installation video

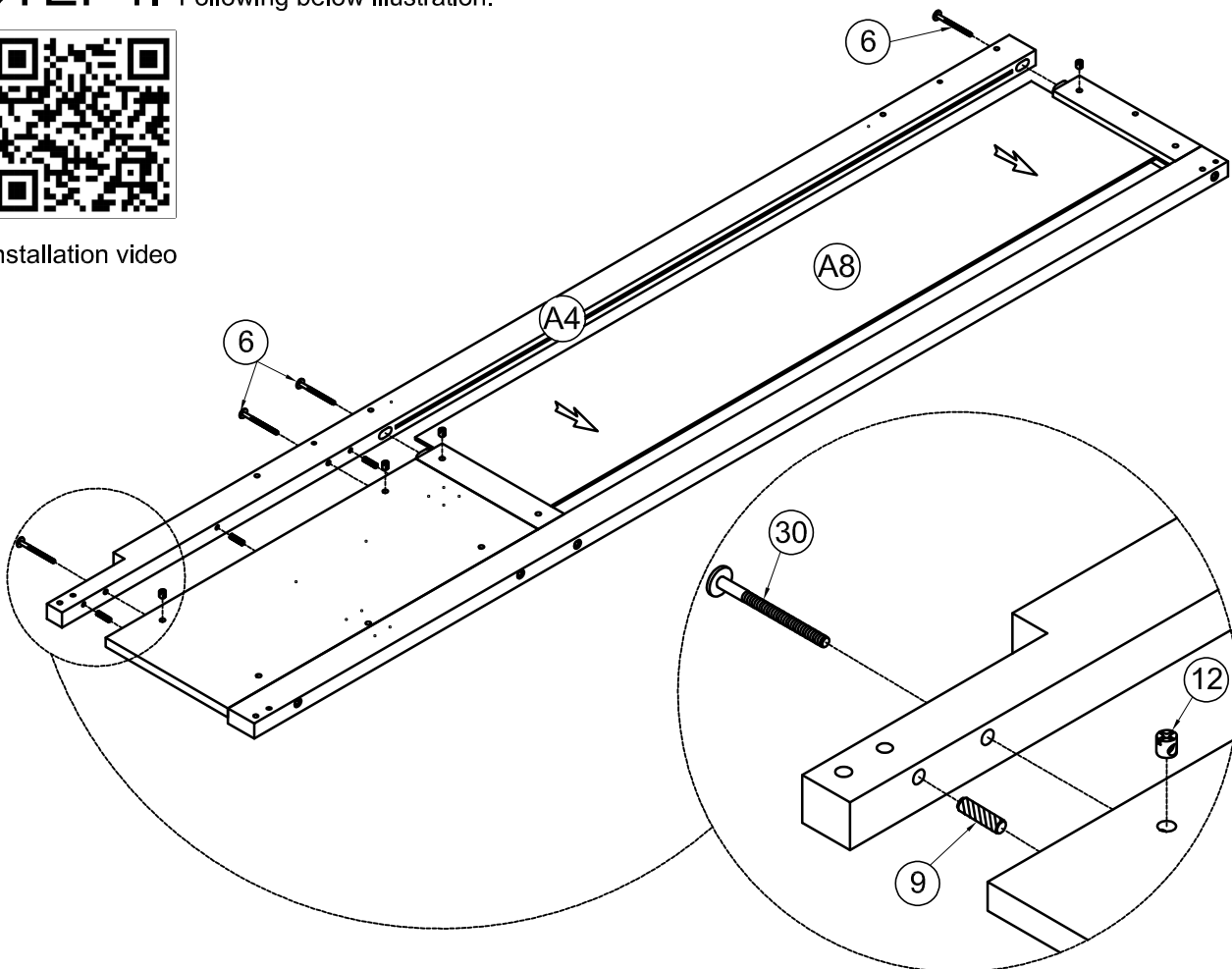


6	
4(pcs)	
12	
4(pcs)	
9	
3(pcs)	

### STEP4: Following below illustration.



Installation video

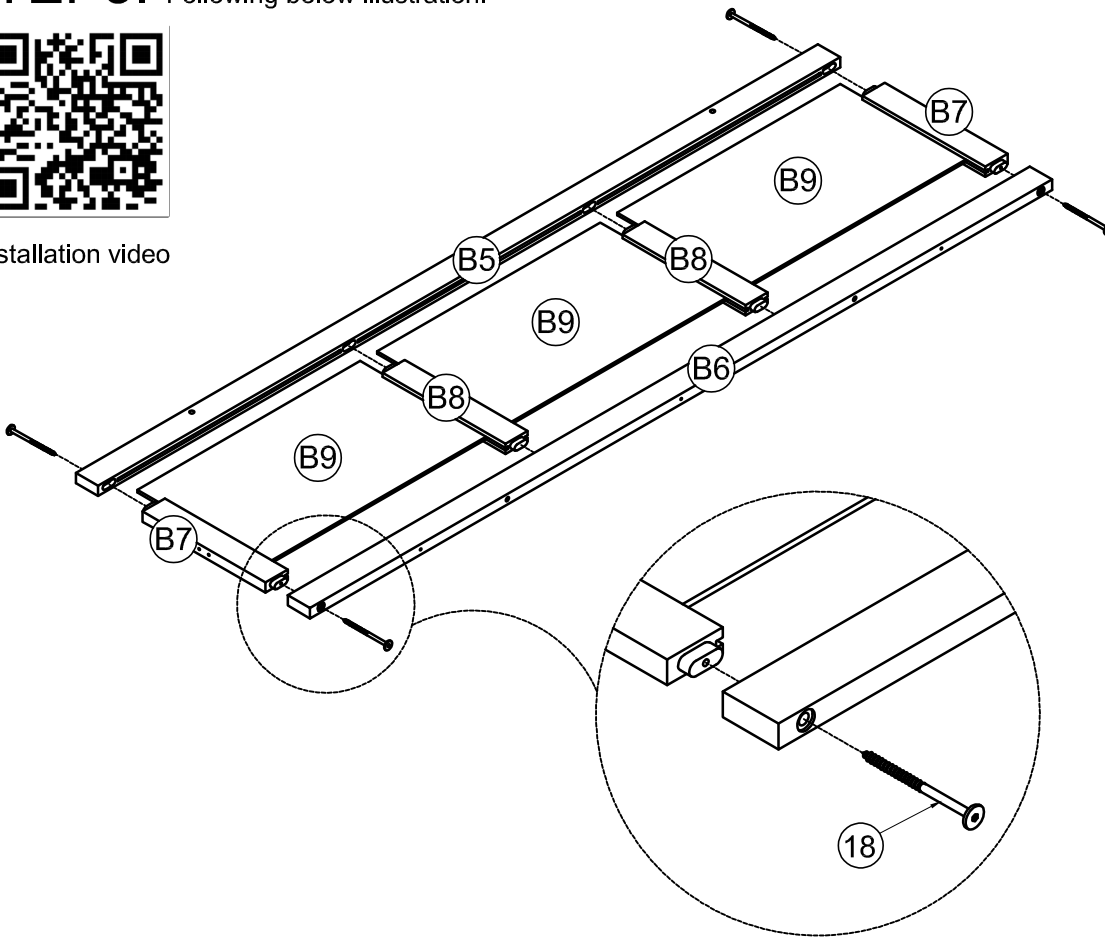


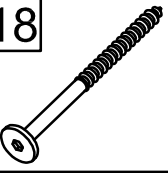
6	
4(pcs)	
12	
4(pcs)	
9	
3(pcs)	
30	
1(pc)	

**STEP5:** Following below illustration.



Installation video

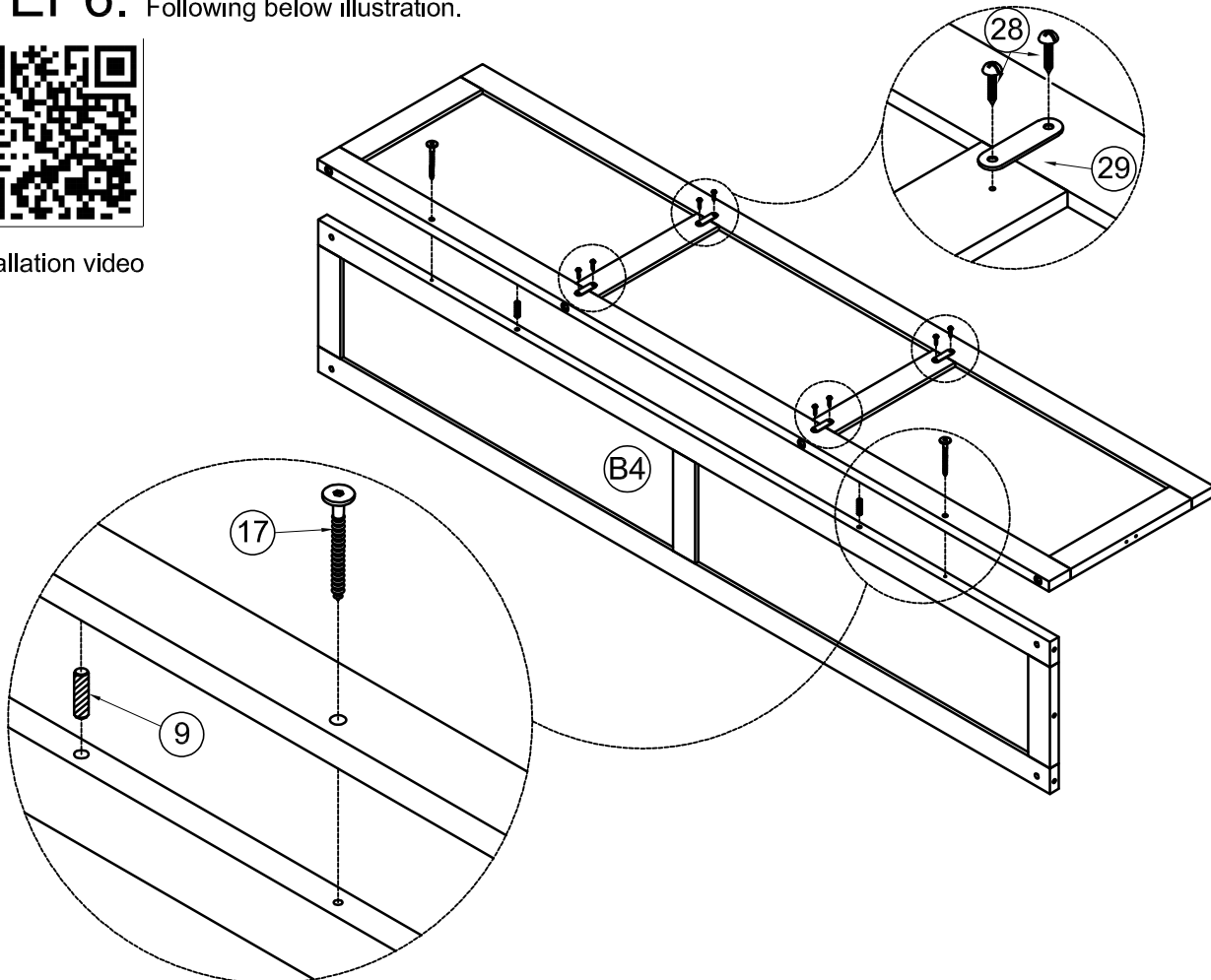





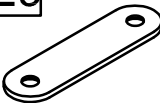
<b>18</b>	
4(pcs)	

**STEP6:** Following below illustration.



Installation video

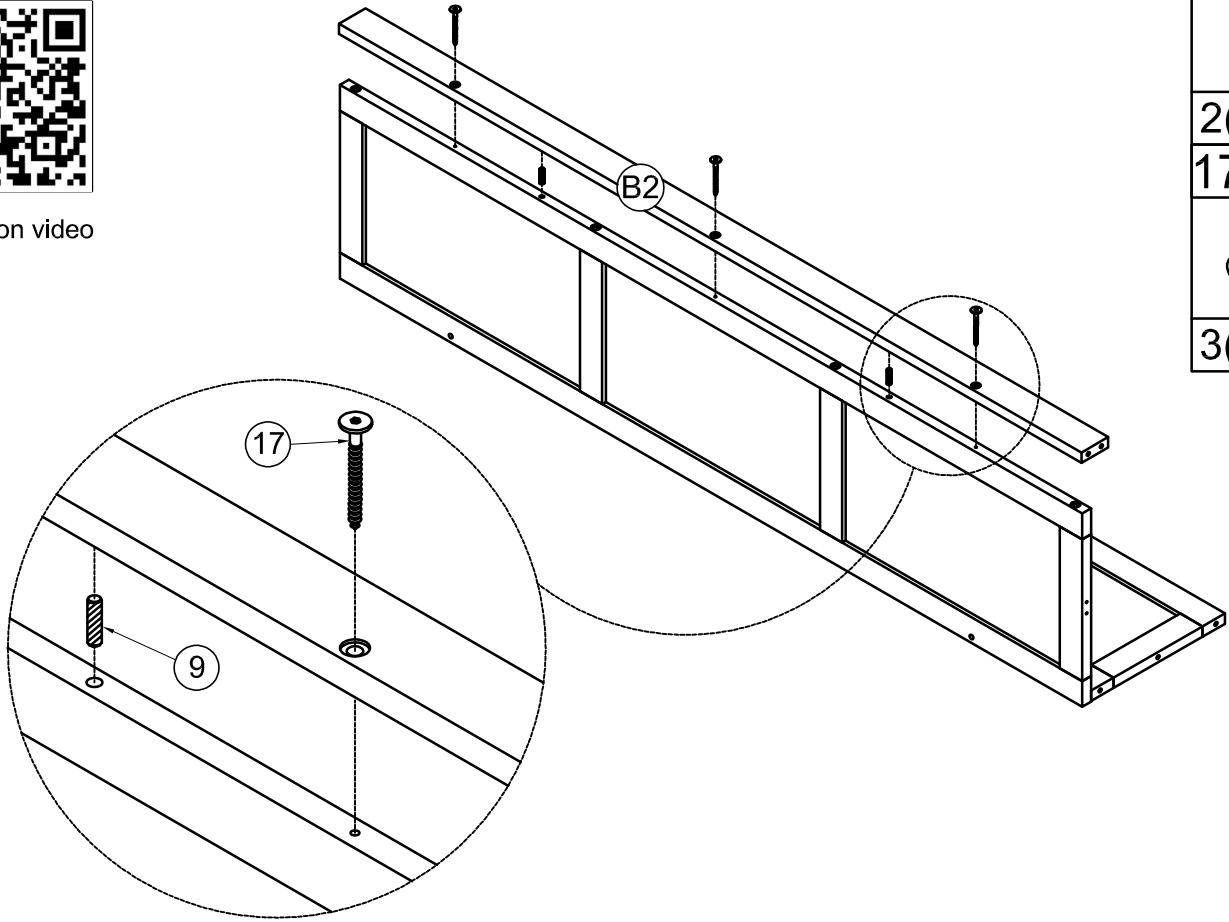


<b>9</b>	
2(pcs)	
<b>17</b>	
2(pcs)	
<b>28</b>	
8(pcs)	
<b>29</b>	
4(pcs)	

# STEP7: Following below illustration.



Installation video

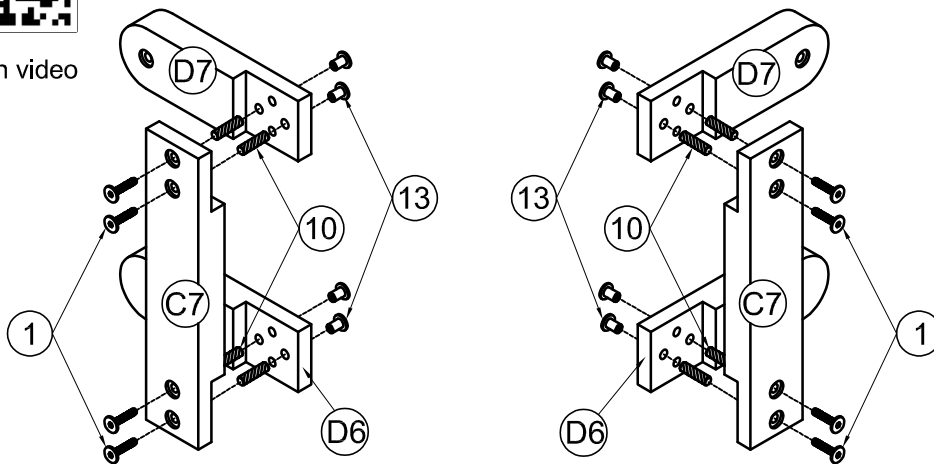


9	
2(pcs)	
17	
3(pcs)	

# STEP8: Following below illustration.



Installation video



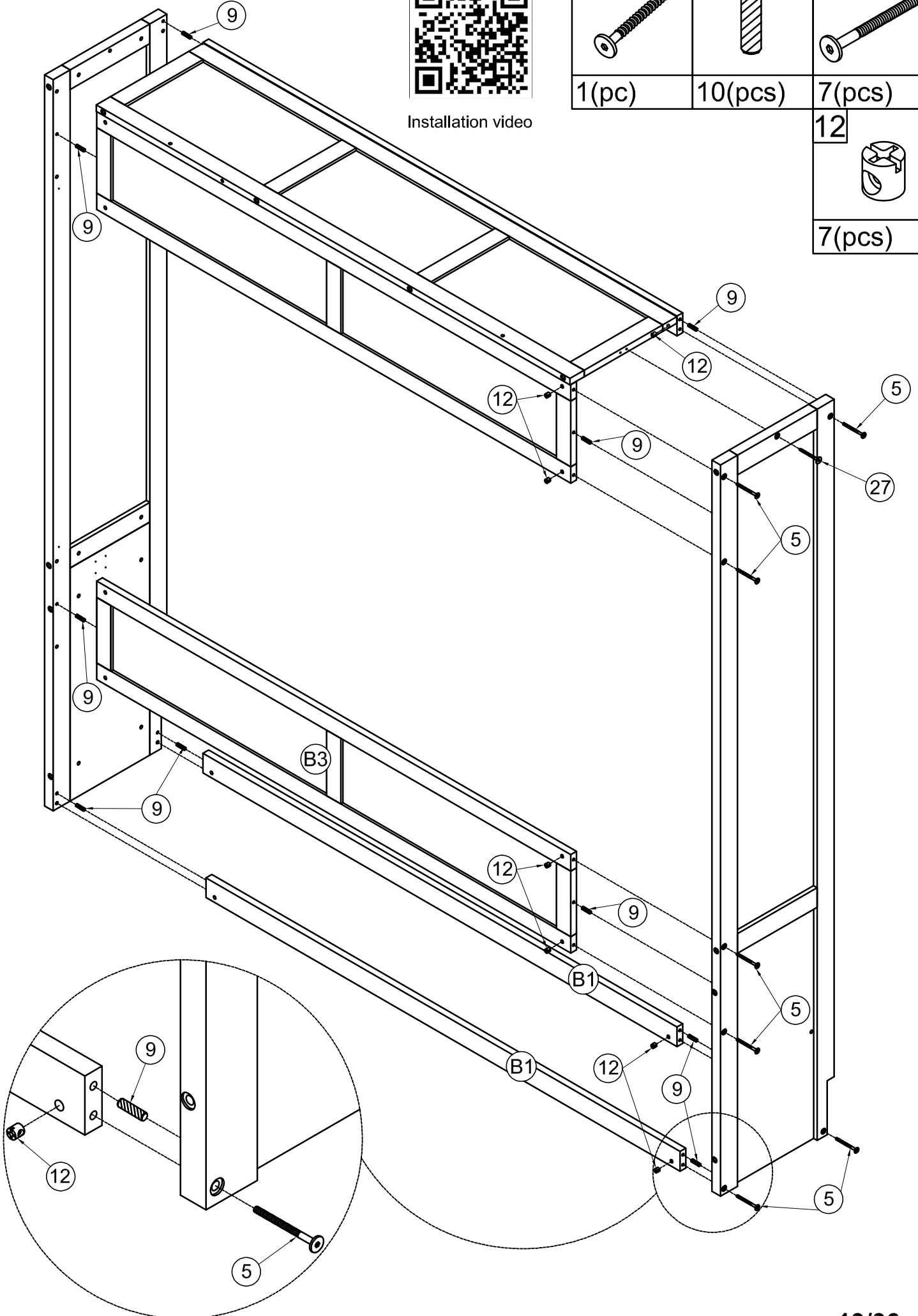
10		13	
8(pcs)		8(pcs)	
		1	
		8(pcs)	

# STEP9: Following below illustration.



Installation video

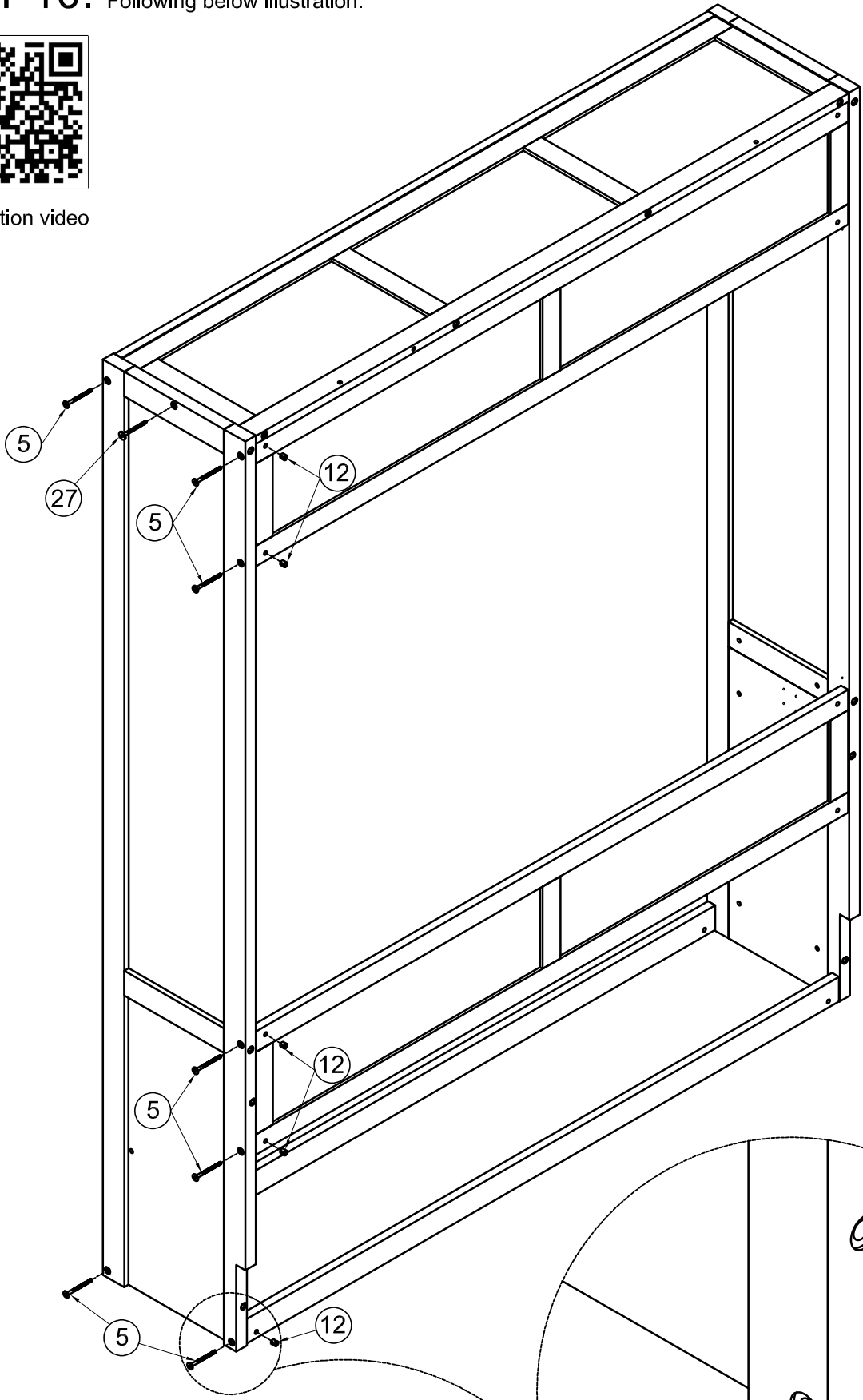
27	9	5
1(pc)	10(pcs)	7(pcs)
12		
7(pcs)		

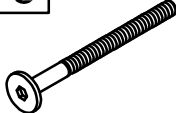




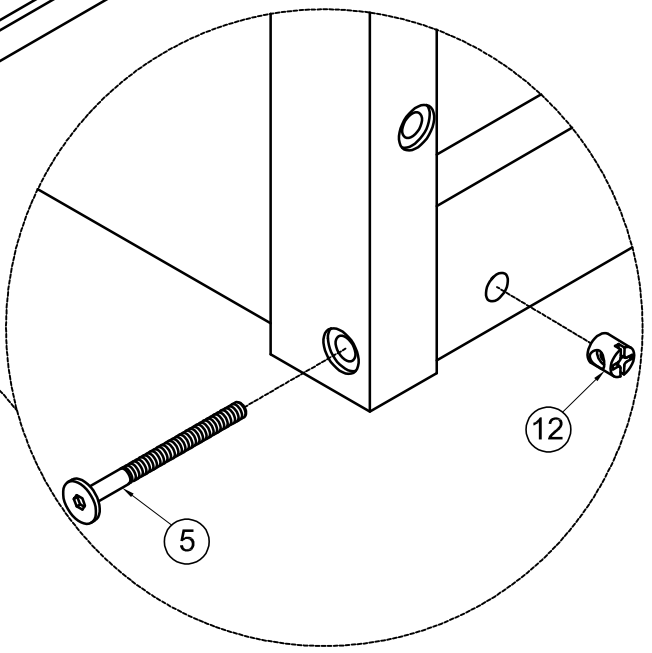
# STEP10: Following below illustration.



Installation video



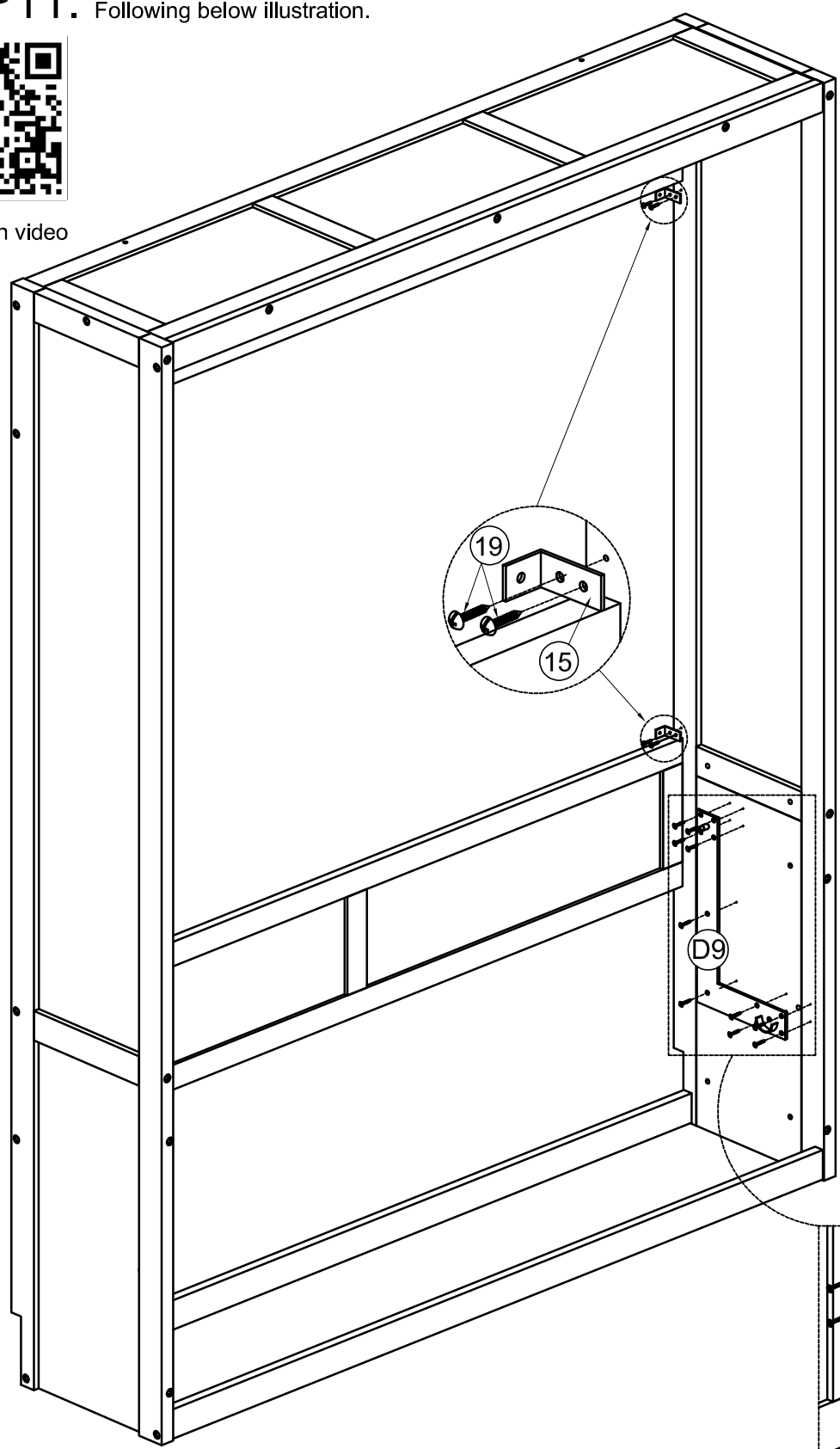
- 5 
- 7(pcs)
- 12 
- 7(pcs)
- 27 
- 1(pc)

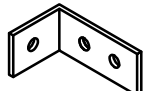




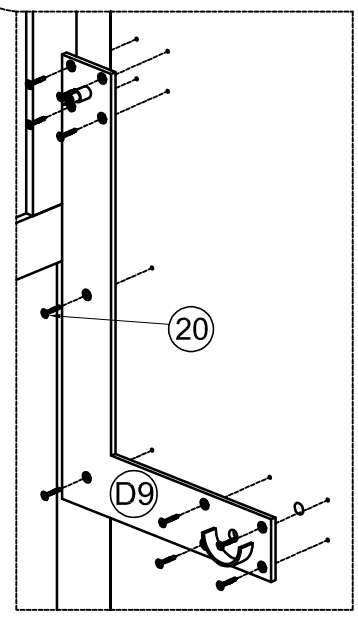
# STEP11: Following below illustration.



Installation video



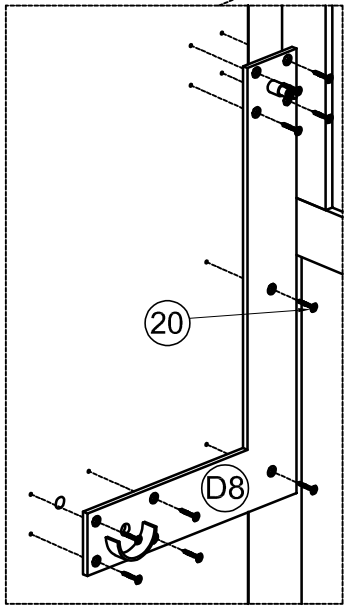
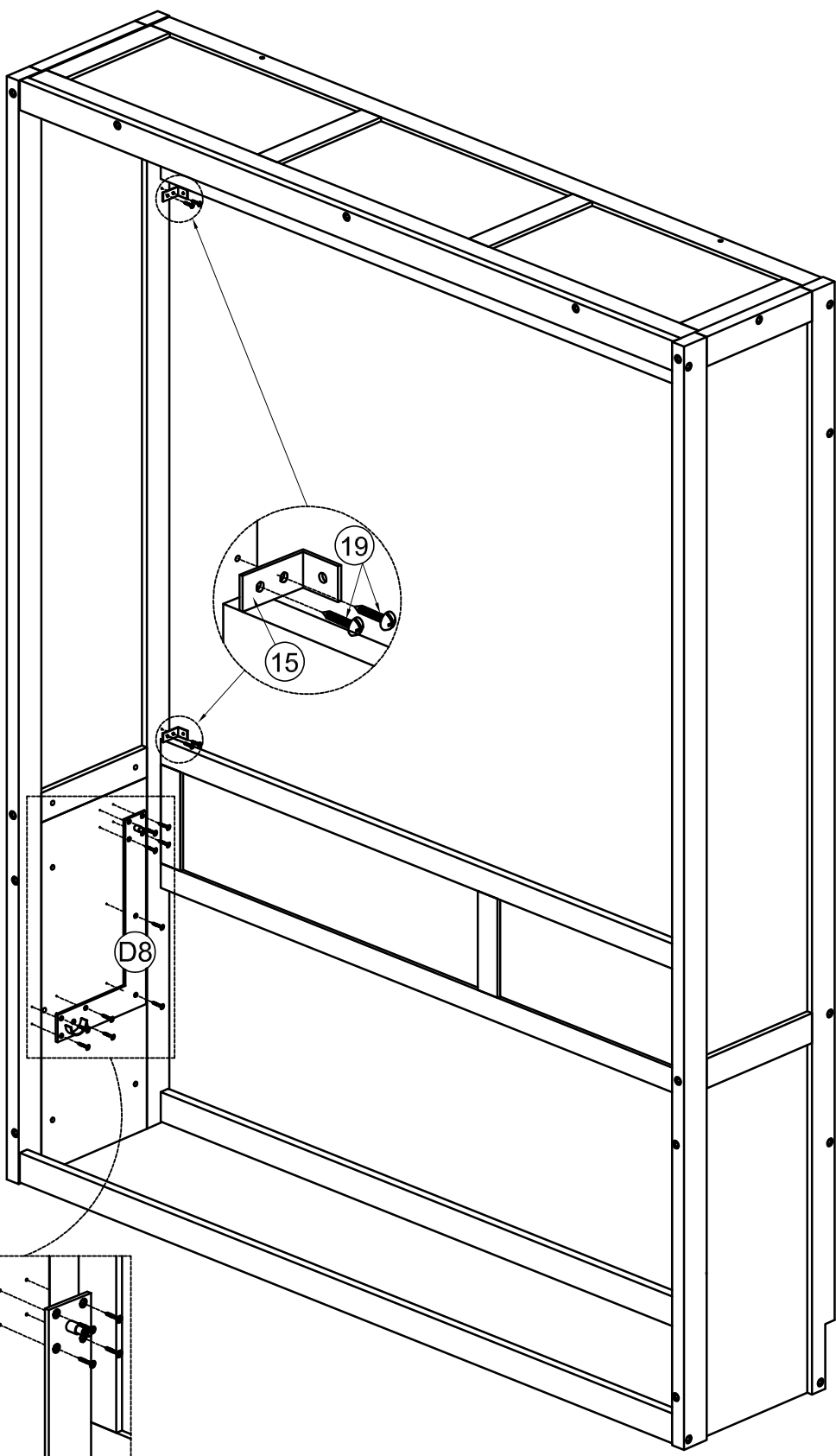
- 15  

- 2(pcs)
- 20  

- 10(pcs)
- 19  

- 4(pcs)

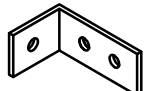




# STEP12: Following below illustration.



Installation video



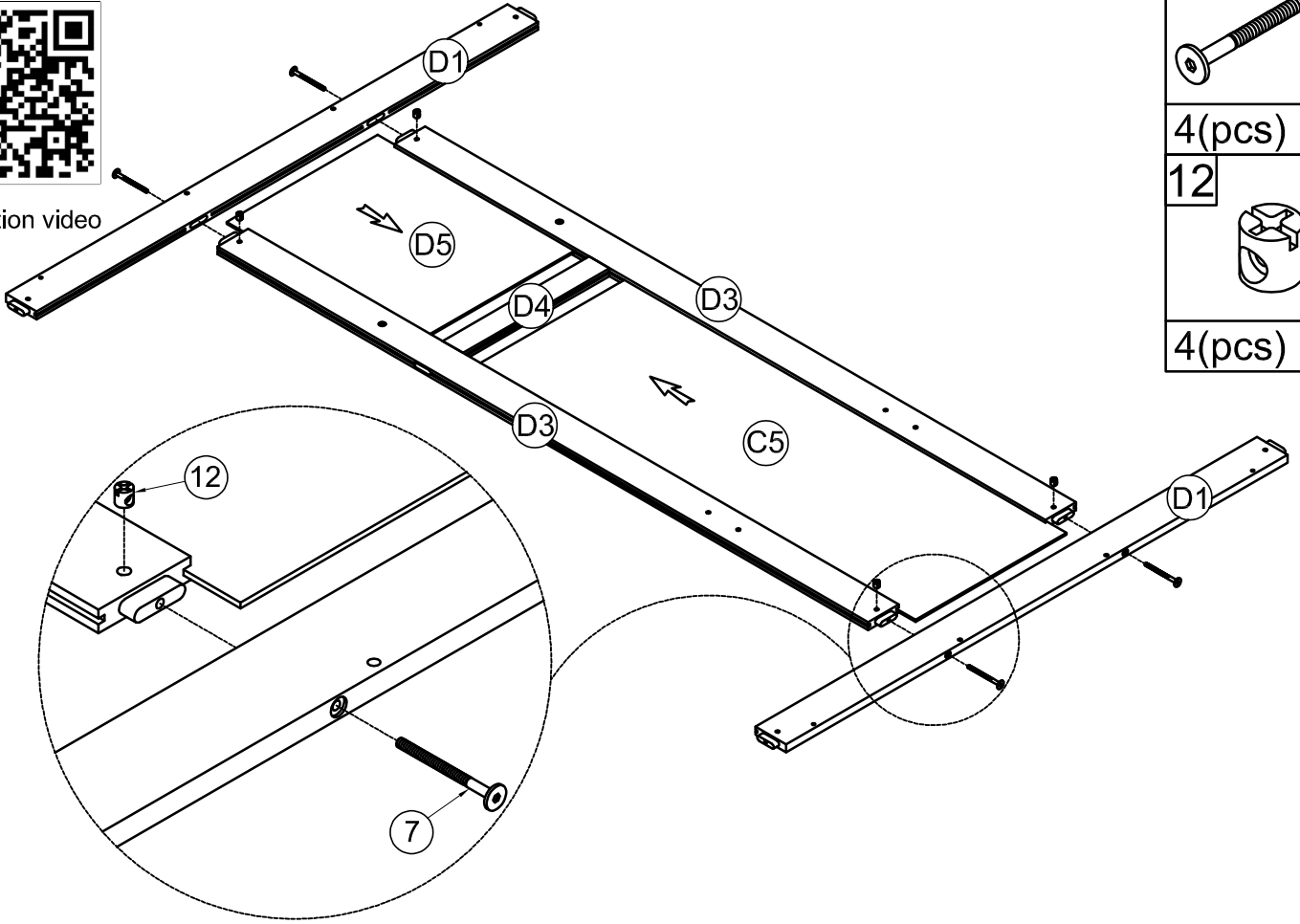
- 15  

- 2(pcs)
- 20  

- 10(pcs)
- 19  

- 4(pcs)



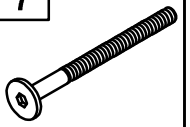
# STEP13: Following below illustration.



Installation video



7



4(pcs)

12

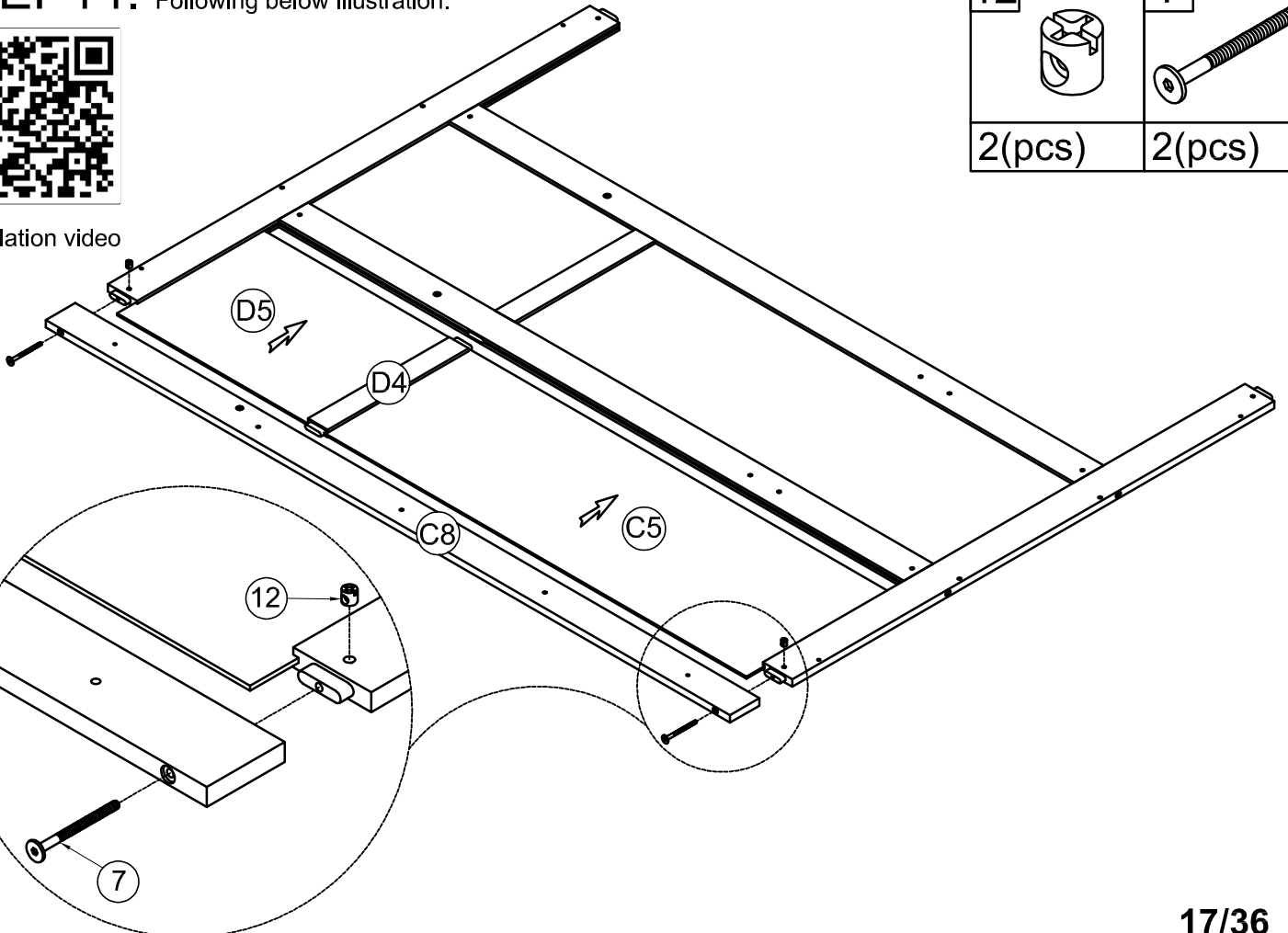


4(pcs)

# STEP14: Following below illustration.



Installation video

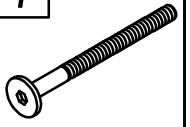


12



2(pcs)

7



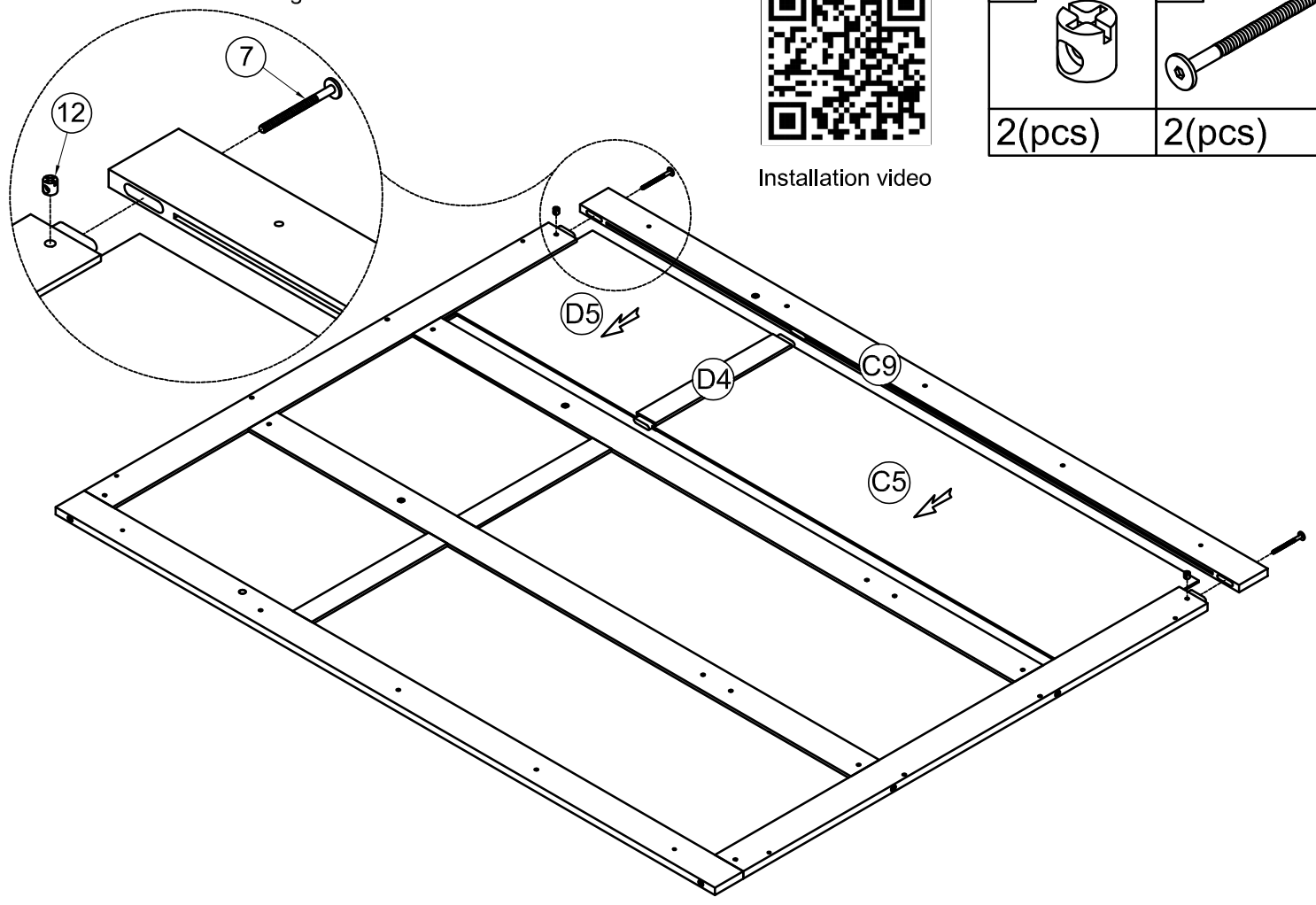
2(pcs)

**STEP15:** Following below illustration.



Installation video

12		7	
2(pcs)		2(pcs)	

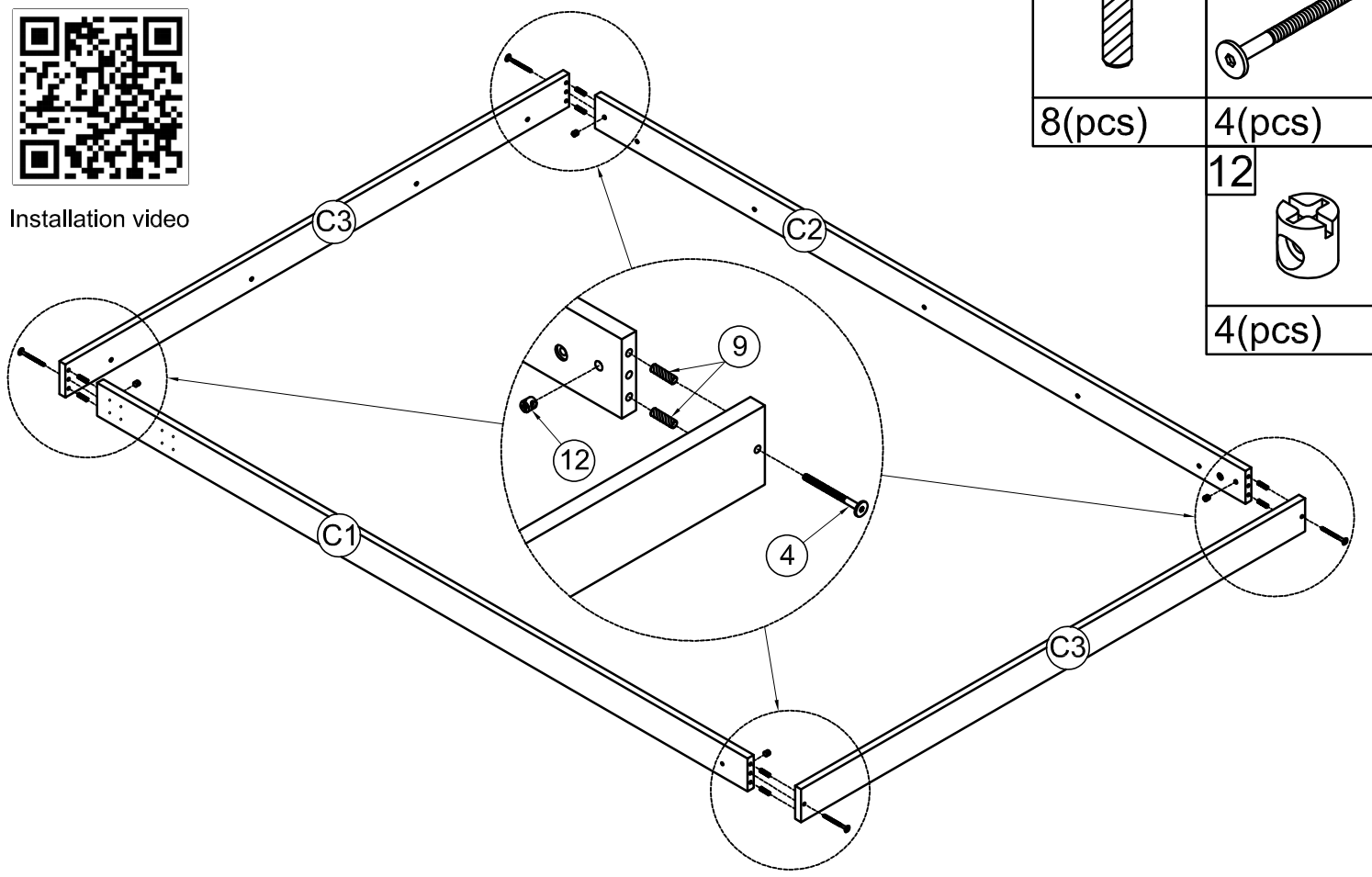


**STEP16:** Following below illustration.



Installation video


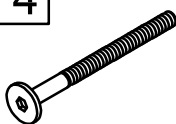
9		4	
8(pcs)		4(pcs)	
12		4(pcs)	

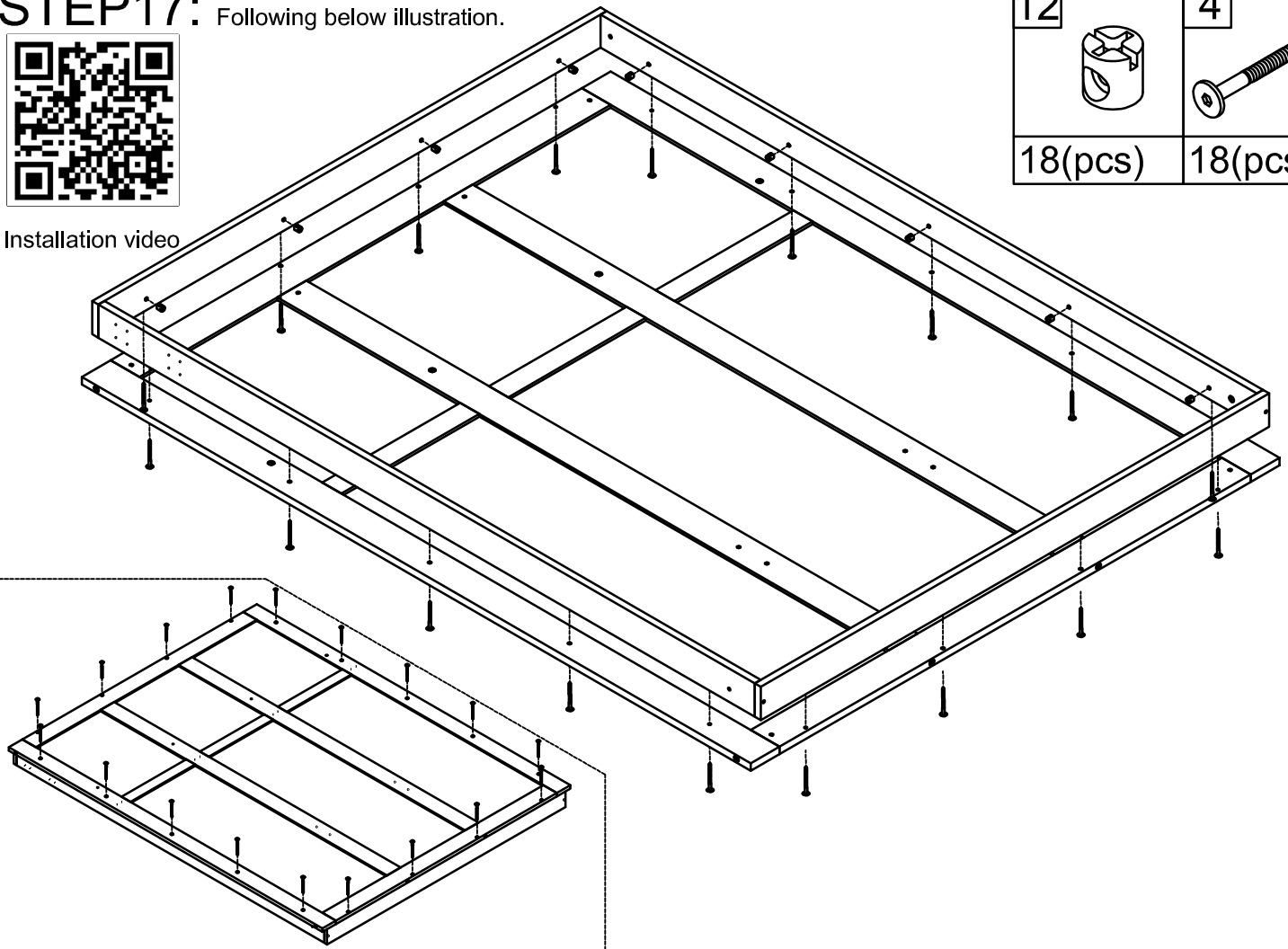


# STEP17: Following below illustration.



Installation video


12		4	
18(pcs)		18(pcs)	

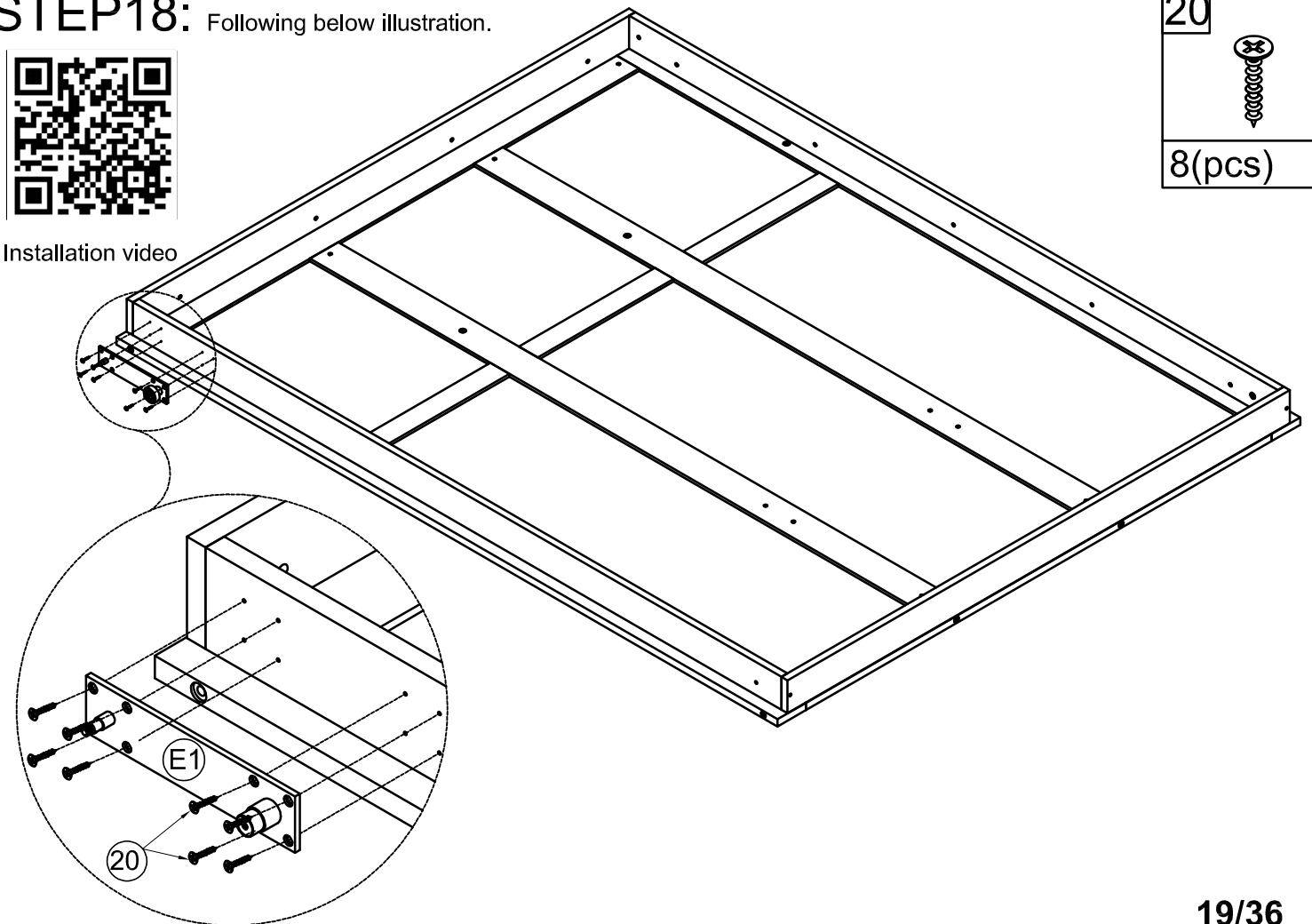


# STEP18: Following below illustration.



Installation video

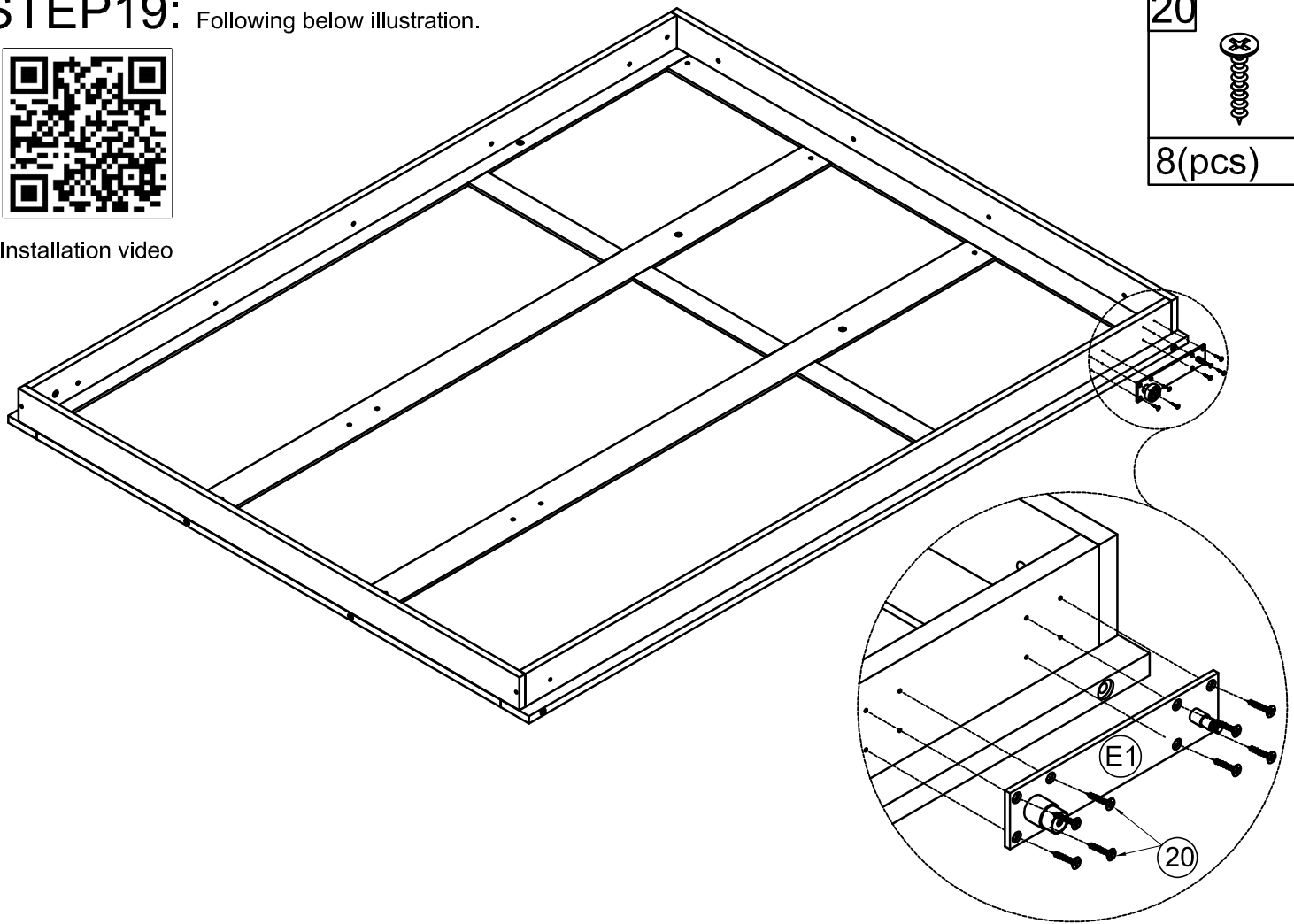
20	
8(pcs)	



# STEP19: Following below illustration.

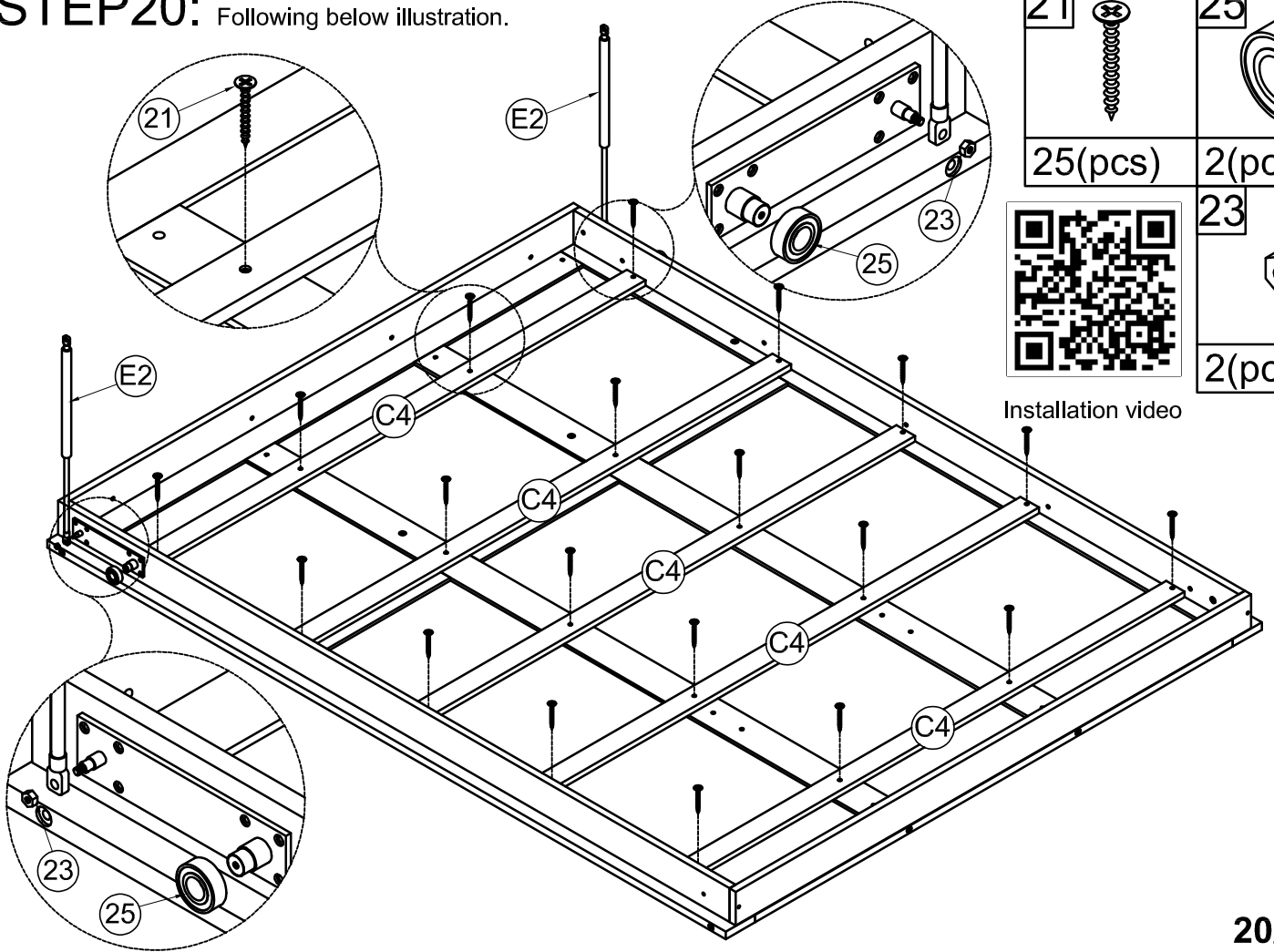


Installation video



- |        |  |
|--------|--|
| 20     |  |
| 8(pcs) |  |

# STEP20: Following below illustration.



- |         |  |        |  |
|---------|--|--------|--|
| 21      |  | 25     |  |
| 25(pcs) |  | 2(pcs) |  |
|         |  | 23     |  |
|         |  | 2(pcs) |  |

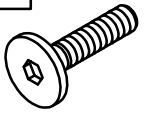
Installation video

# STEP 21: Following below illustration.



Installation video

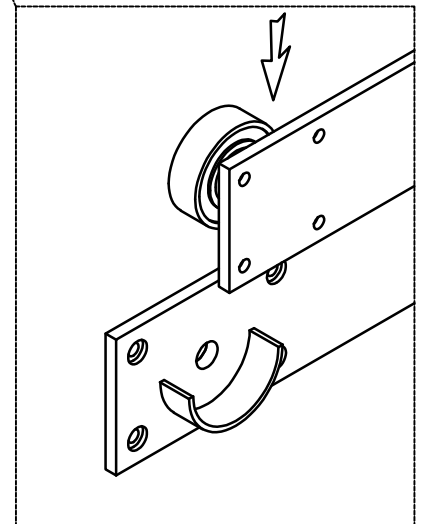
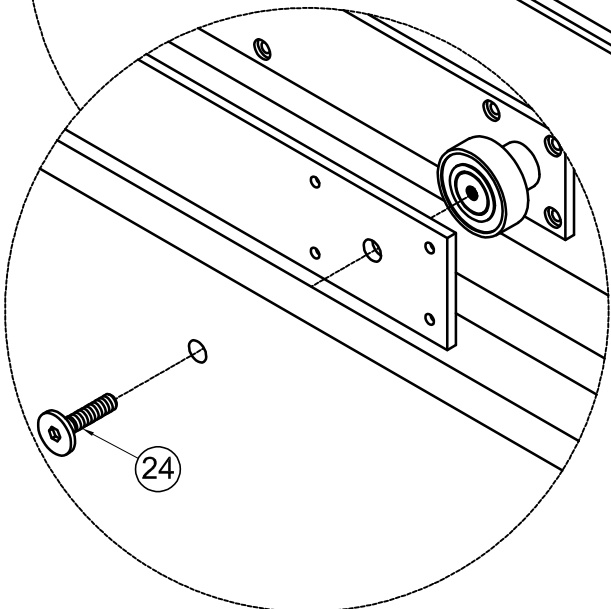
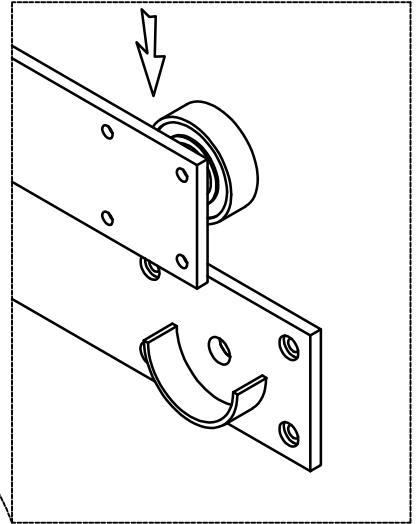
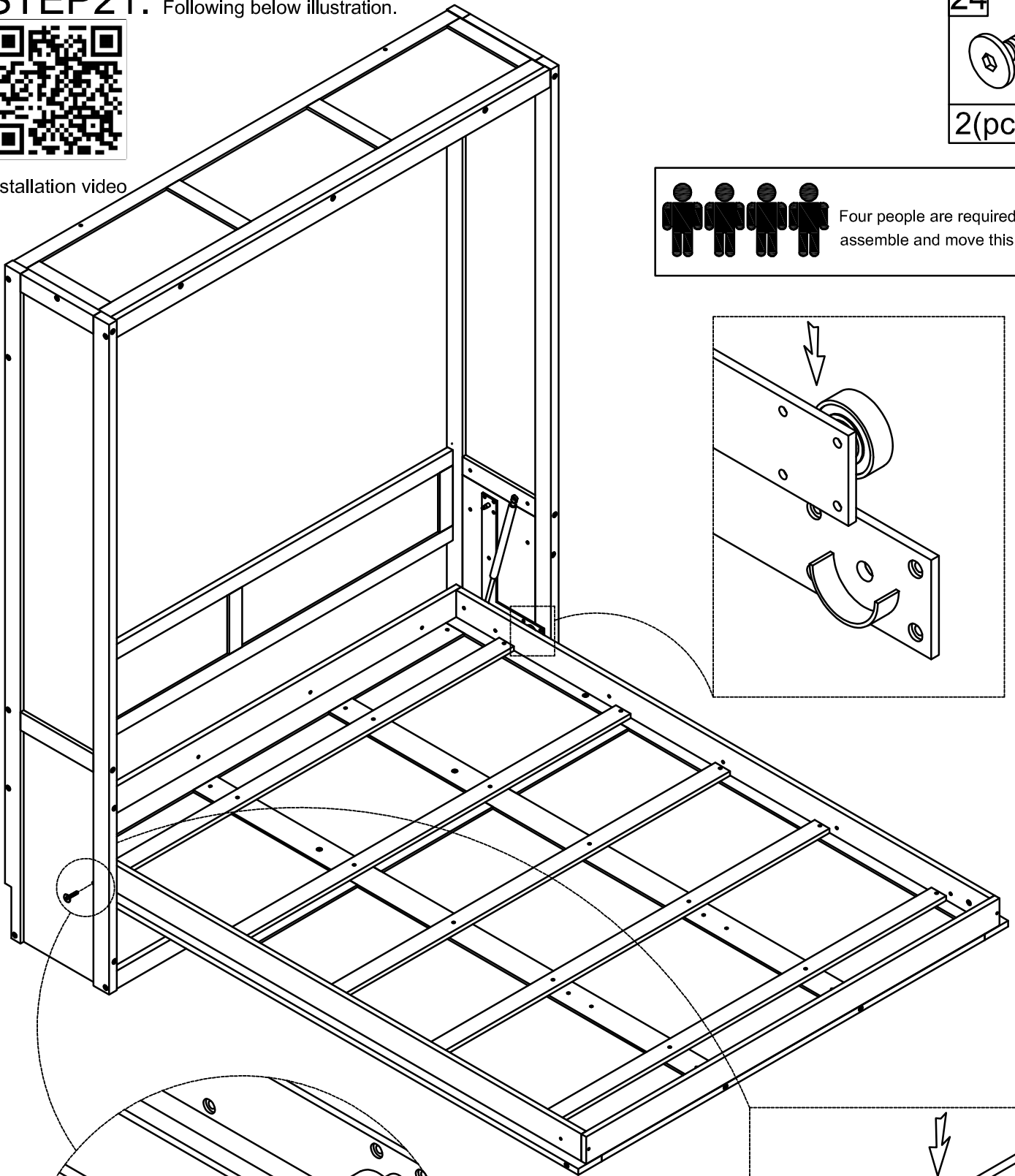
24



2(pcs)




Four people are required to assemble and move this model.



# STEP22: Following below illustration.



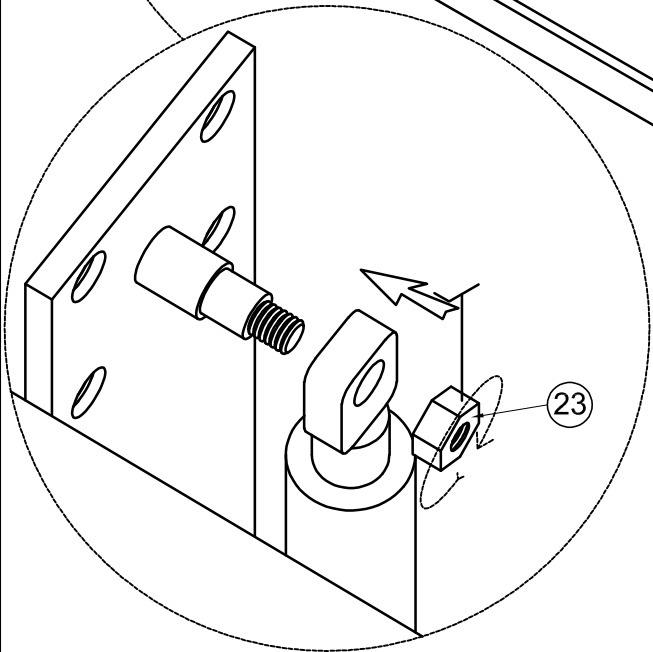
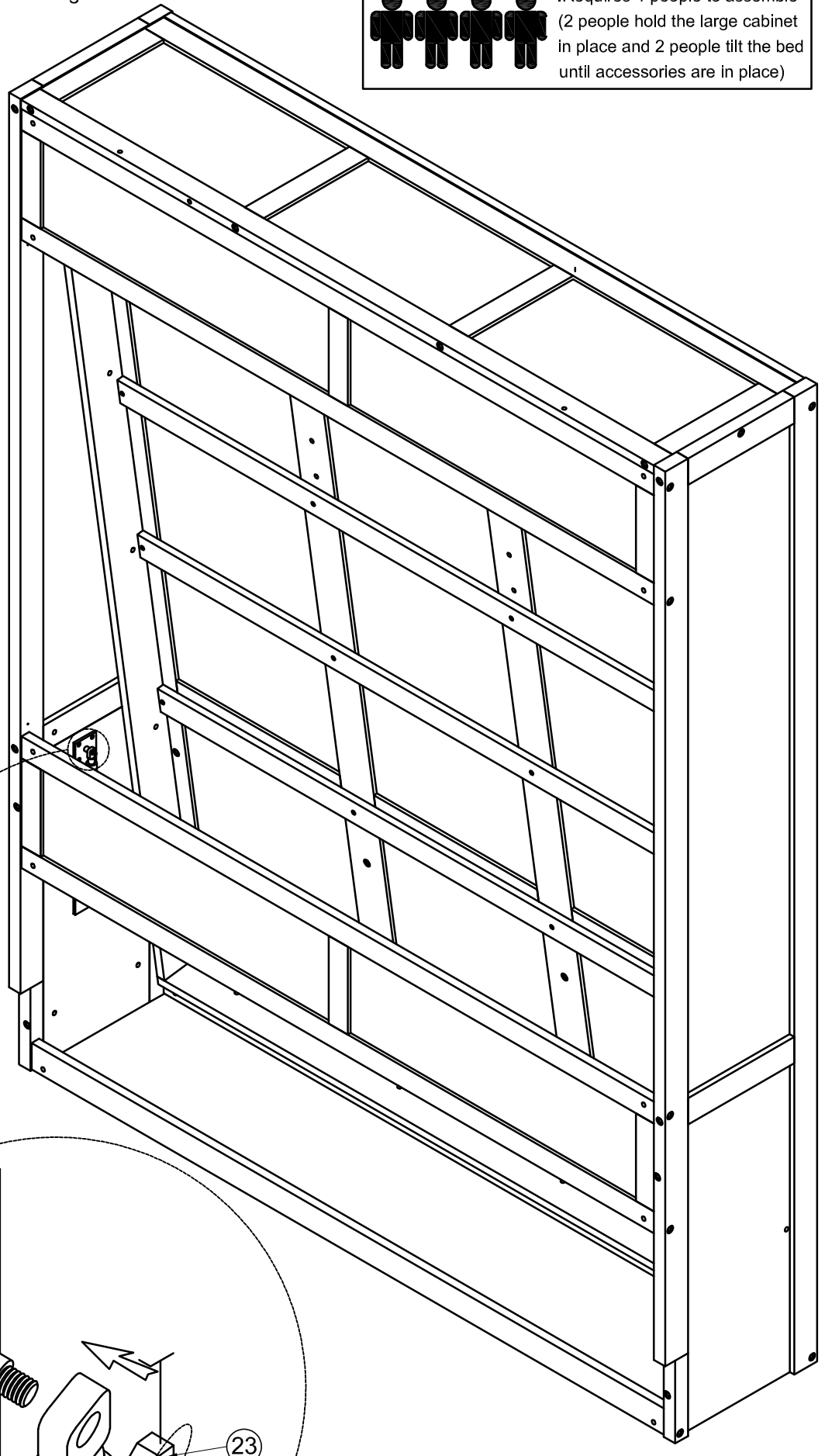
Installation video

 .Requires 4 people to assemble  
(2 people hold the large cabinet  
in place and 2 people tilt the bed  
until accessories are in place)

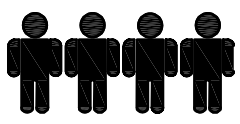
23



2(pcs)



# STEP23: Following below illustration.



.Requires 4 people to assemble  
(2 people hold the large cabinet  
in place and 2 people tilt the bed  
until accessories are in place)

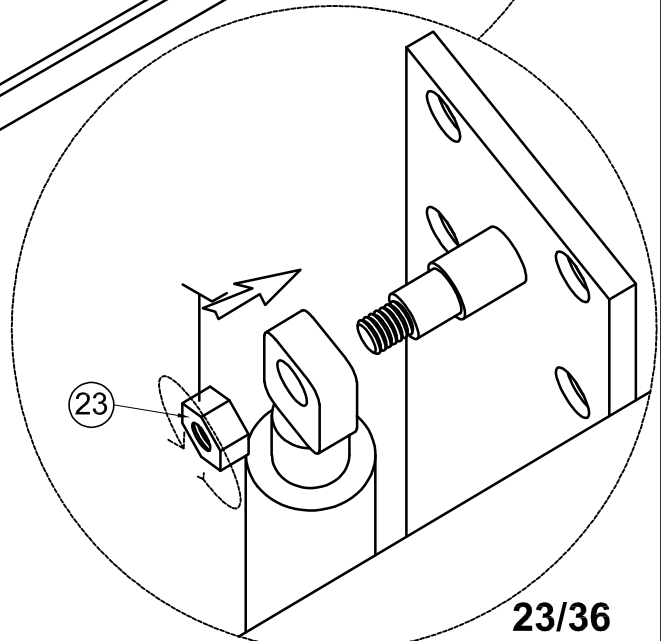
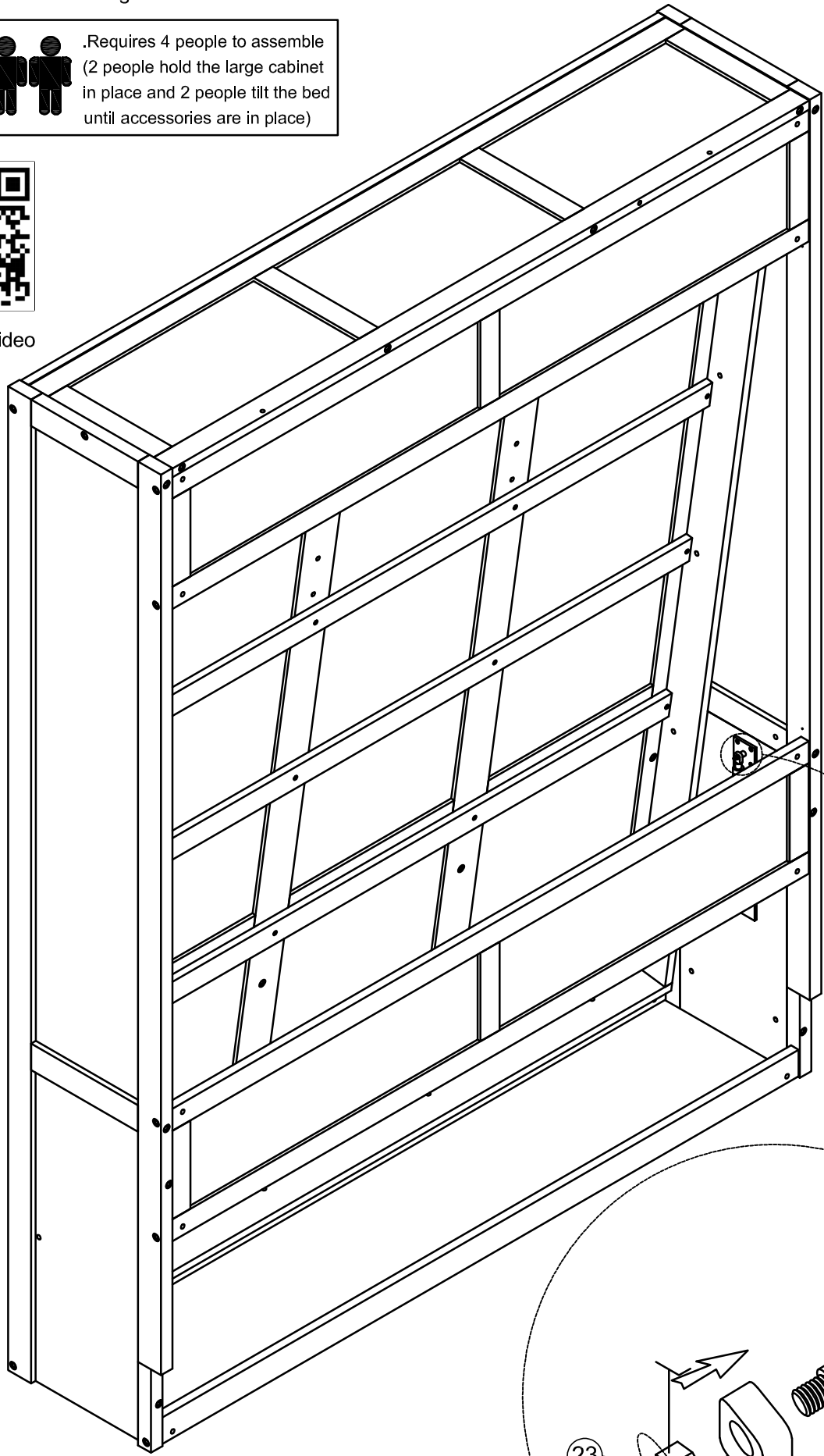


Installation video

23



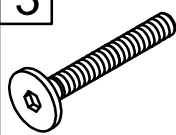


2(pcs)

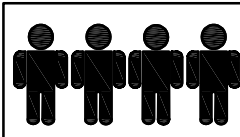


# STEP24: Following below illustration.

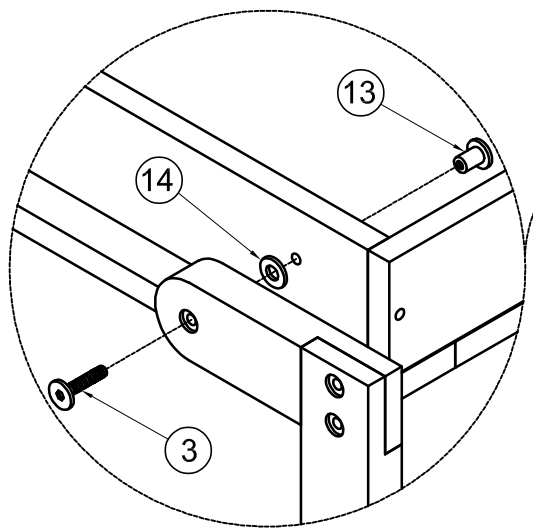
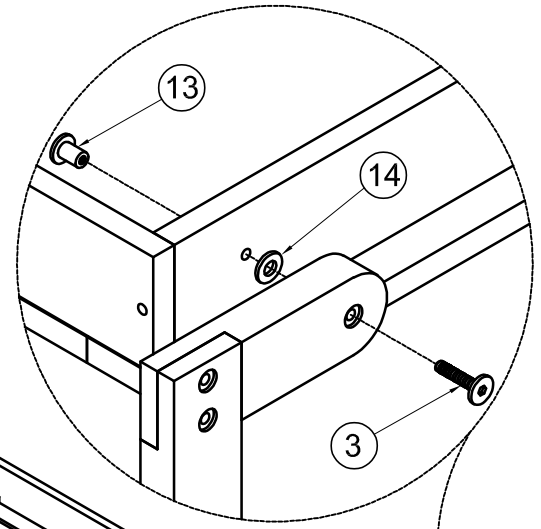
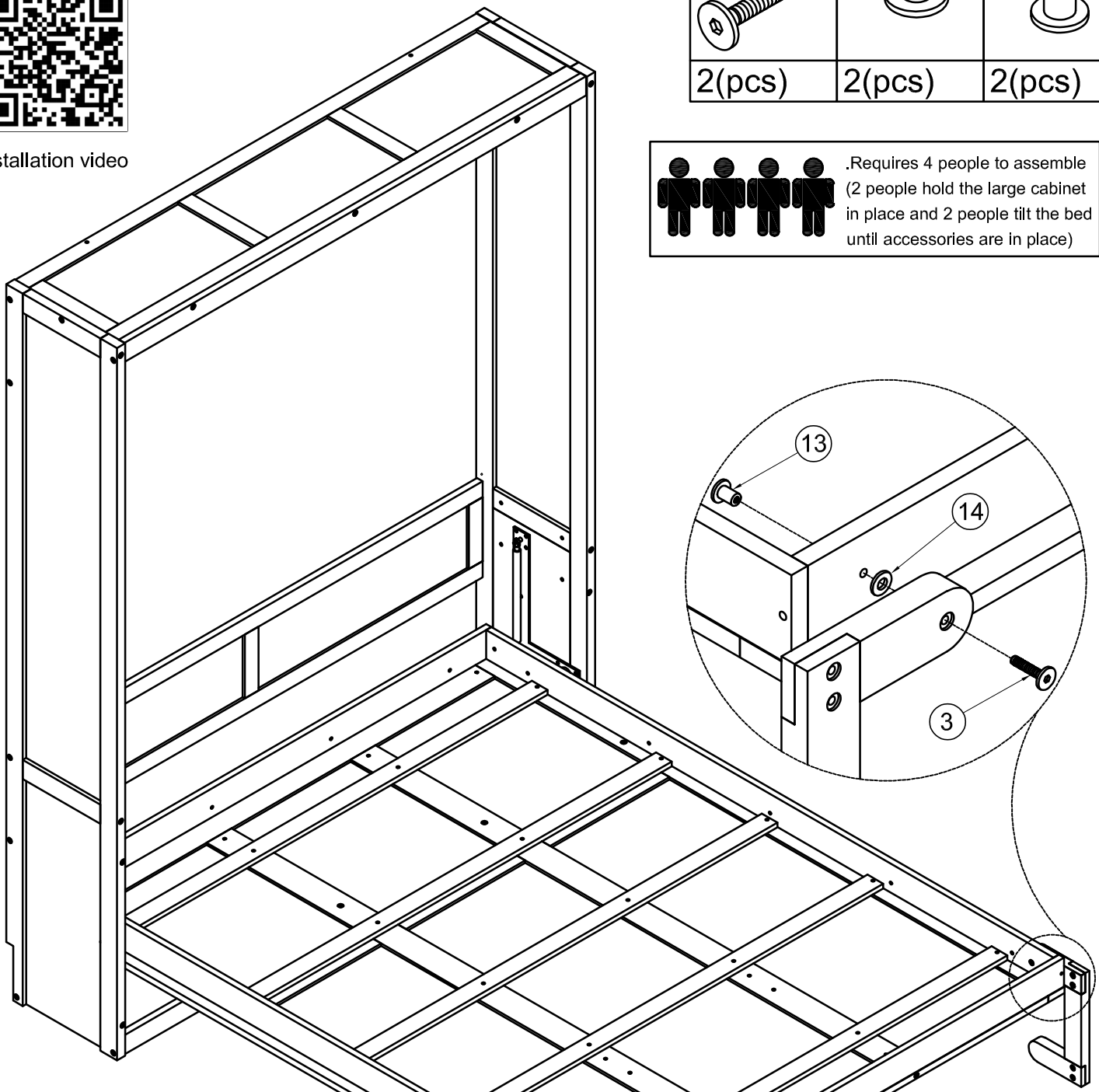


Installation video

3	14	13
		
2(pcs)	2(pcs)	2(pcs)



.Requires 4 people to assemble  
(2 people hold the large cabinet  
in place and 2 people tilt the bed  
until accessories are in place)





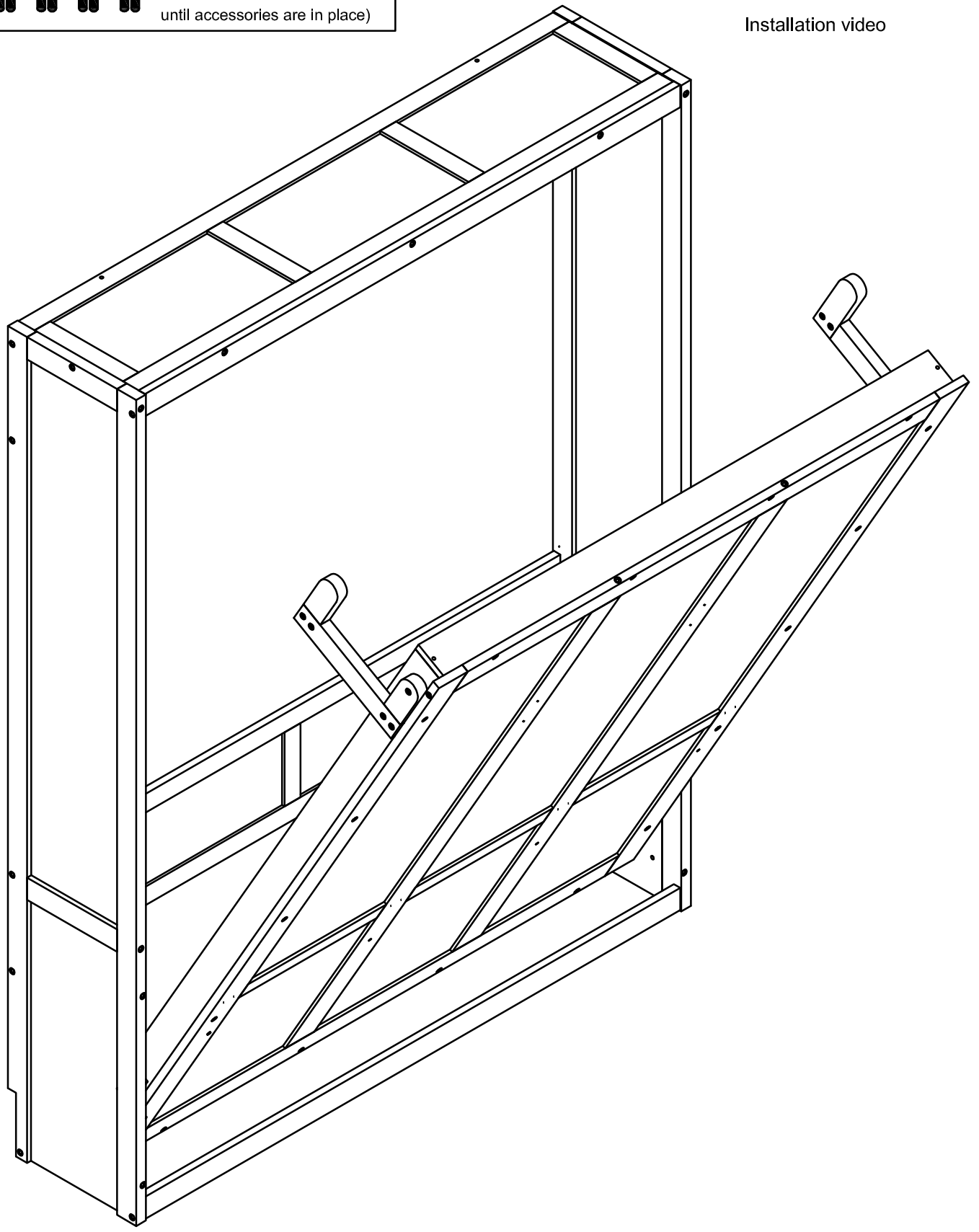
# STEP25: Following below illustration.



.Requires 4 people to assemble  
(2 people hold the large cabinet  
in place and 2 people tilt the bed  
until accessories are in place)



Installation video



# STEP26: Following below illustration.

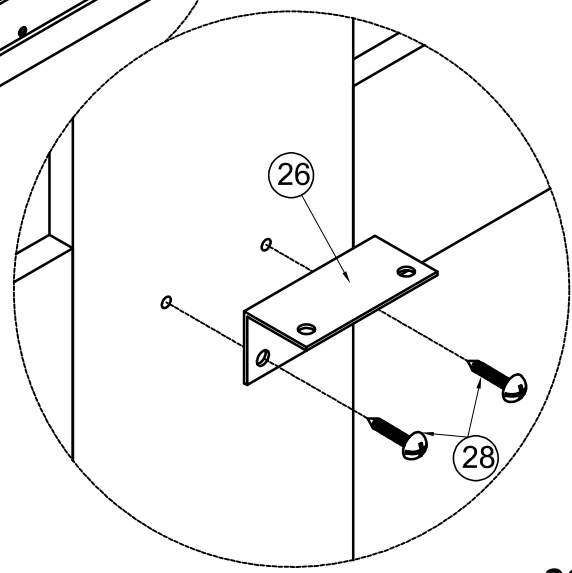
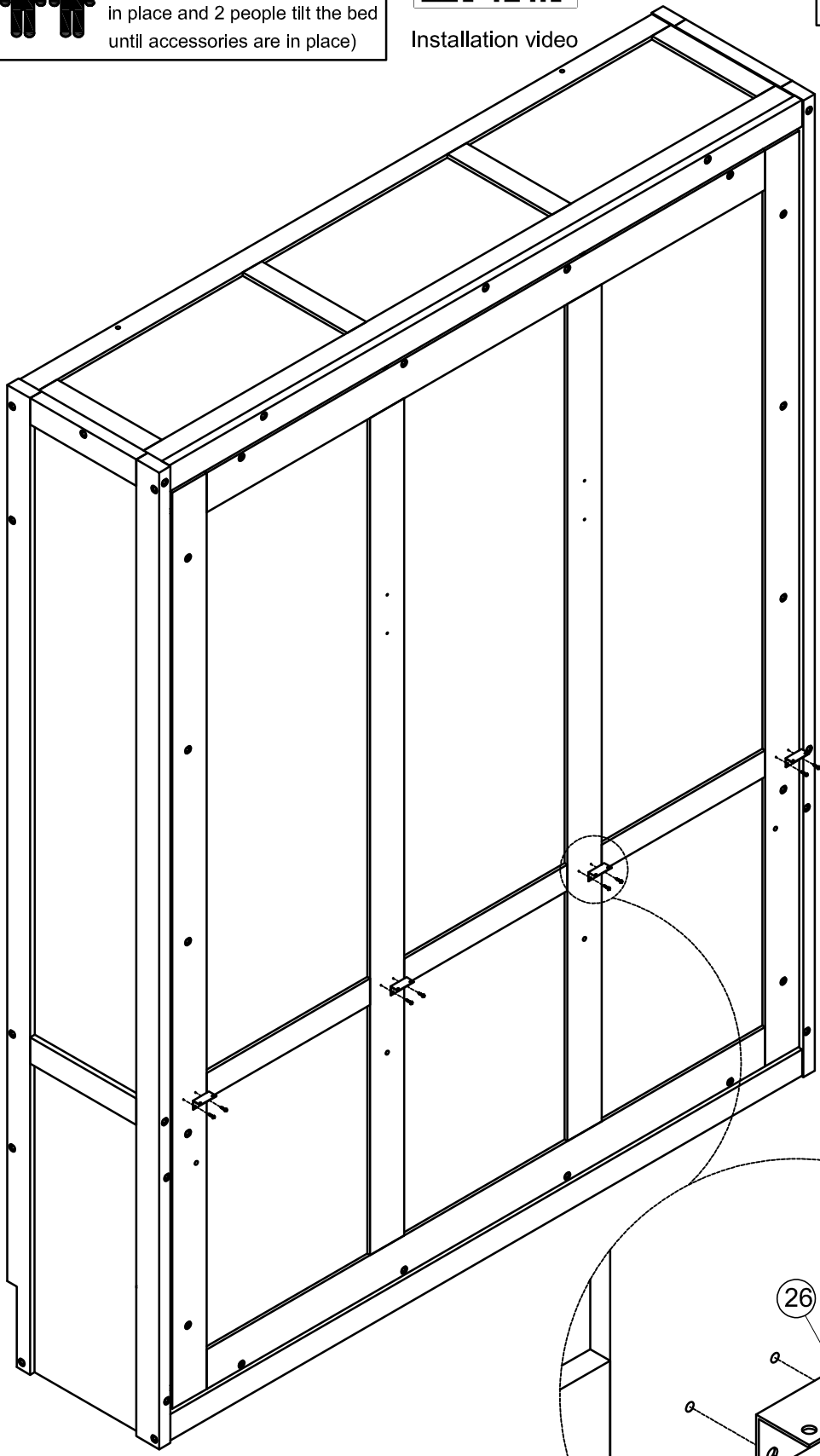


Installation video



.Requires 4 people to assemble  
(2 people hold the large cabinet  
in place and 2 people tilt the bed  
until accessories are in place)

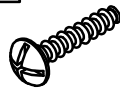
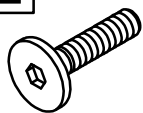
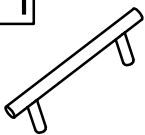
28		26	
8(pcs)		4(pcs)	

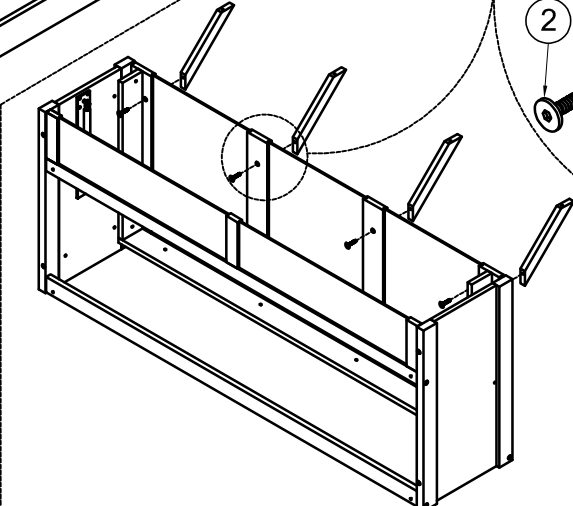
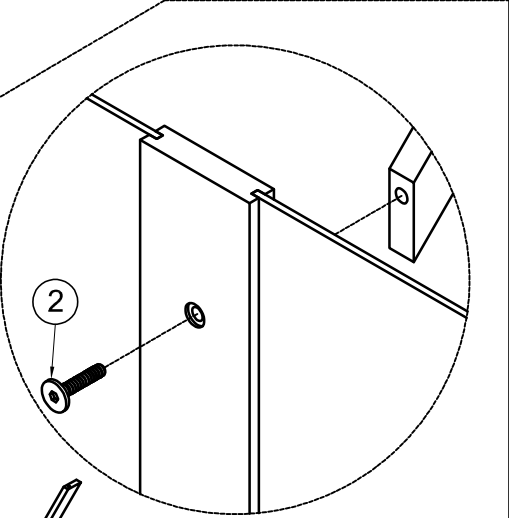
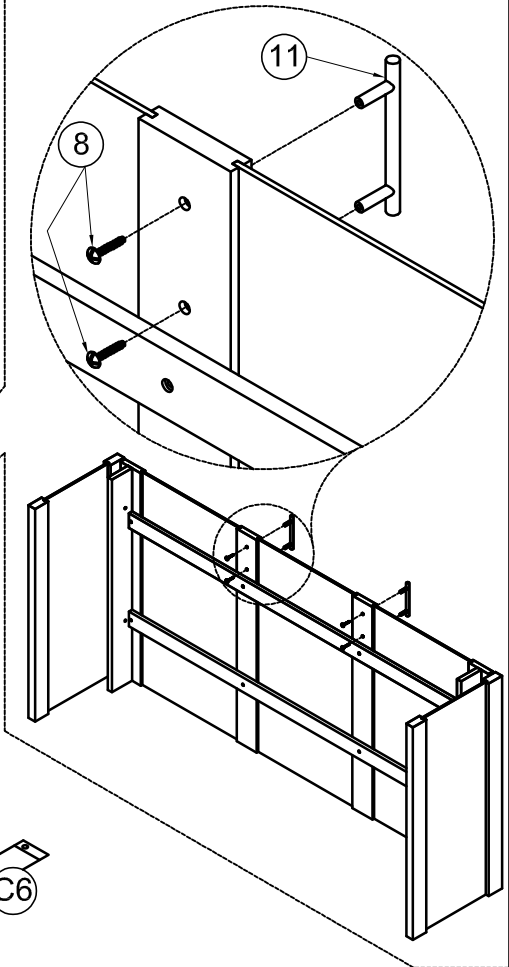
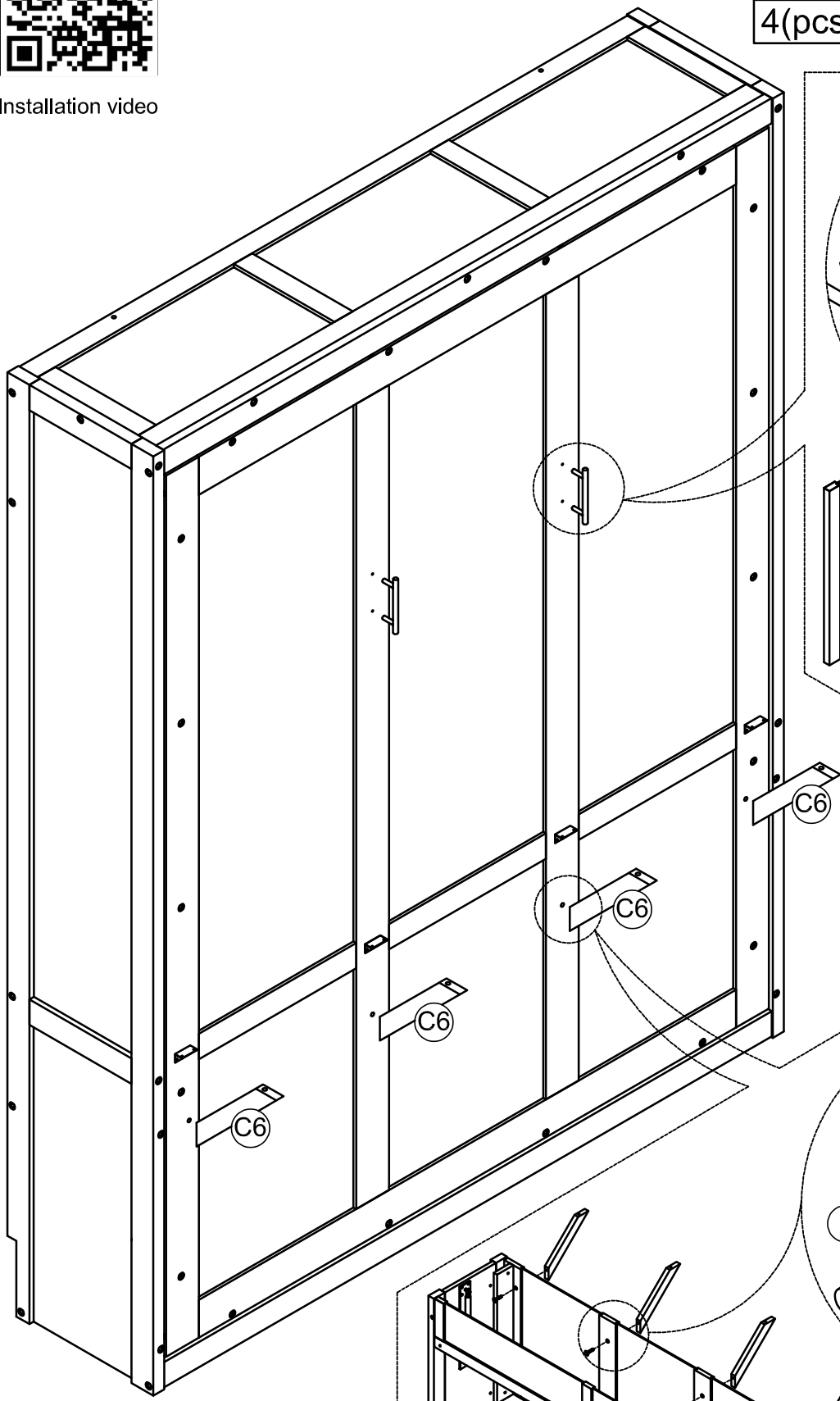


# STEP27: Following below illustration.



Installation video

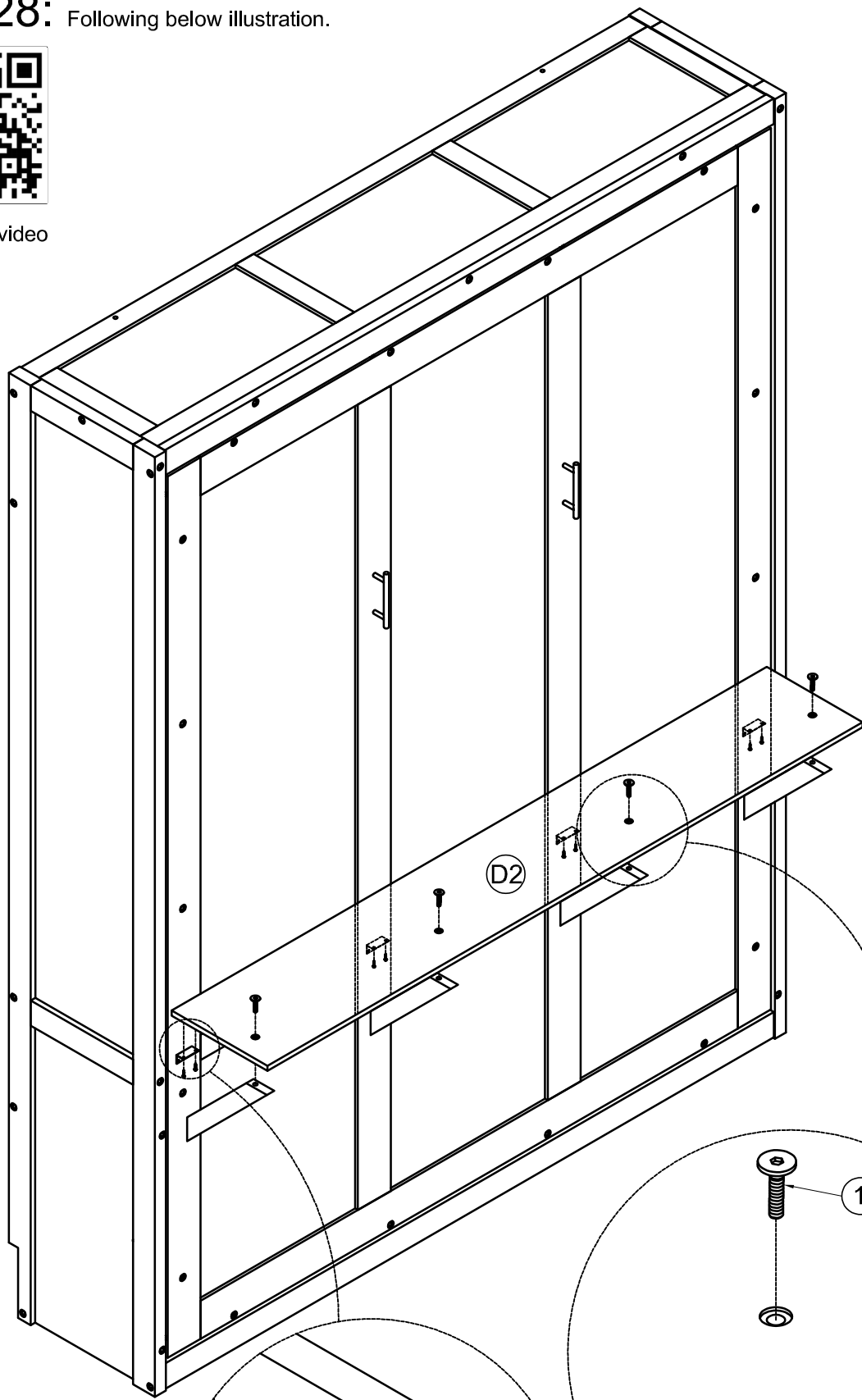
8	2	11
		
4(pcs)	4(pcs)	2(pcs)

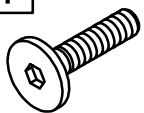



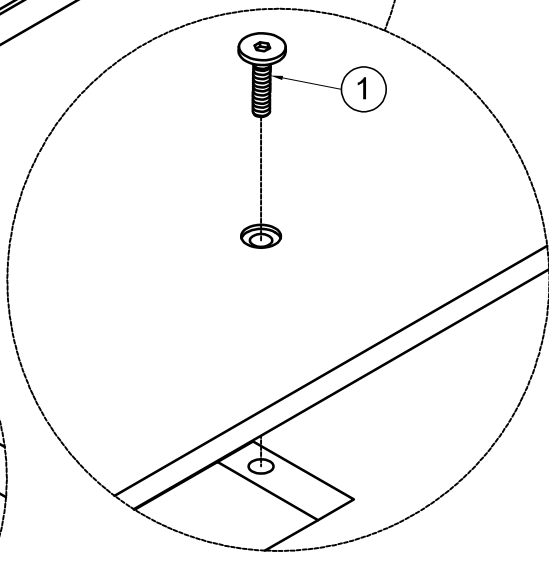
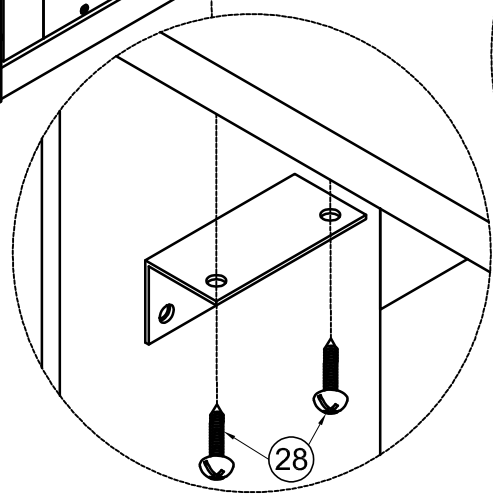
# STEP28: Following below illustration.



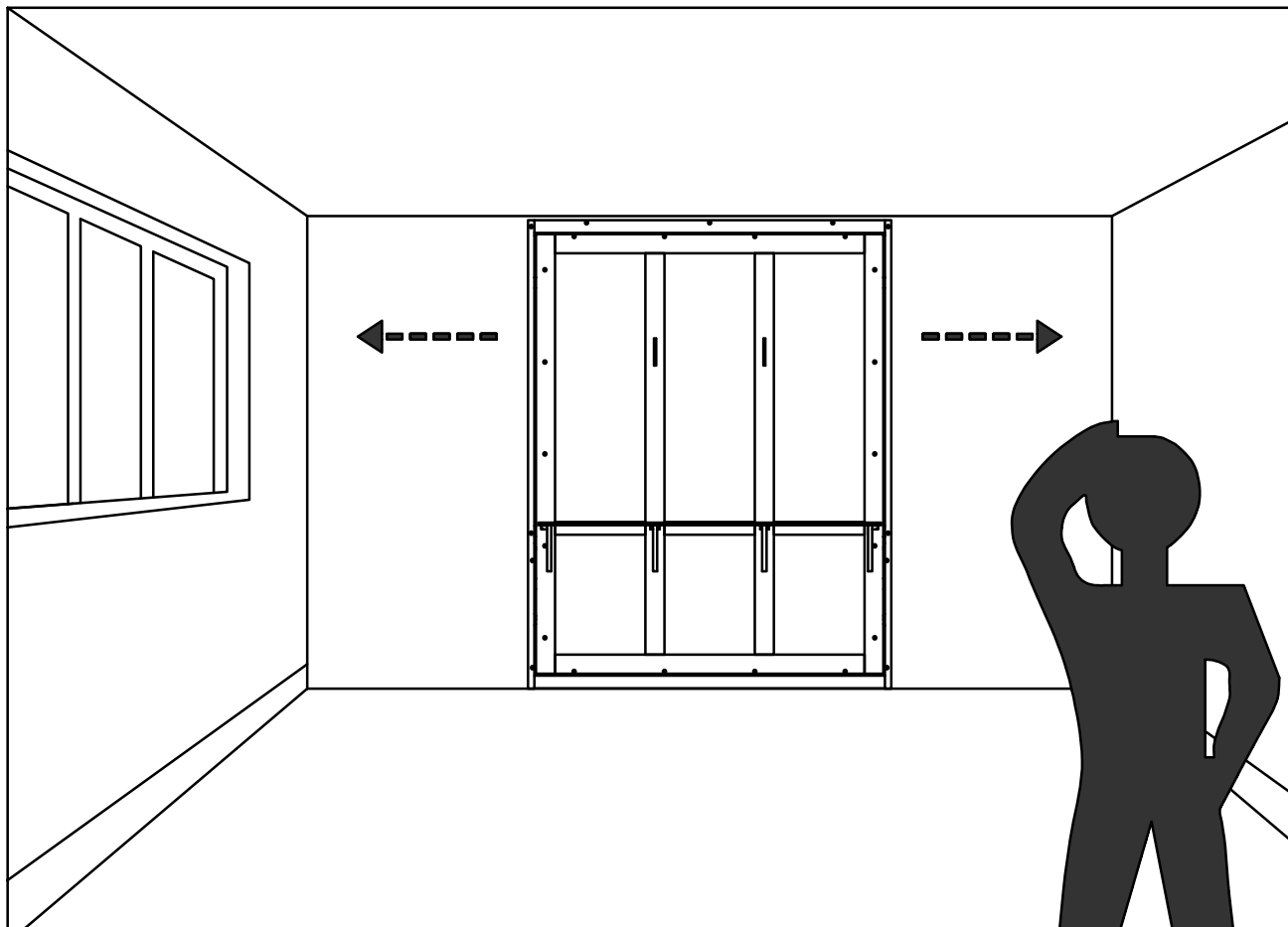
Installation video



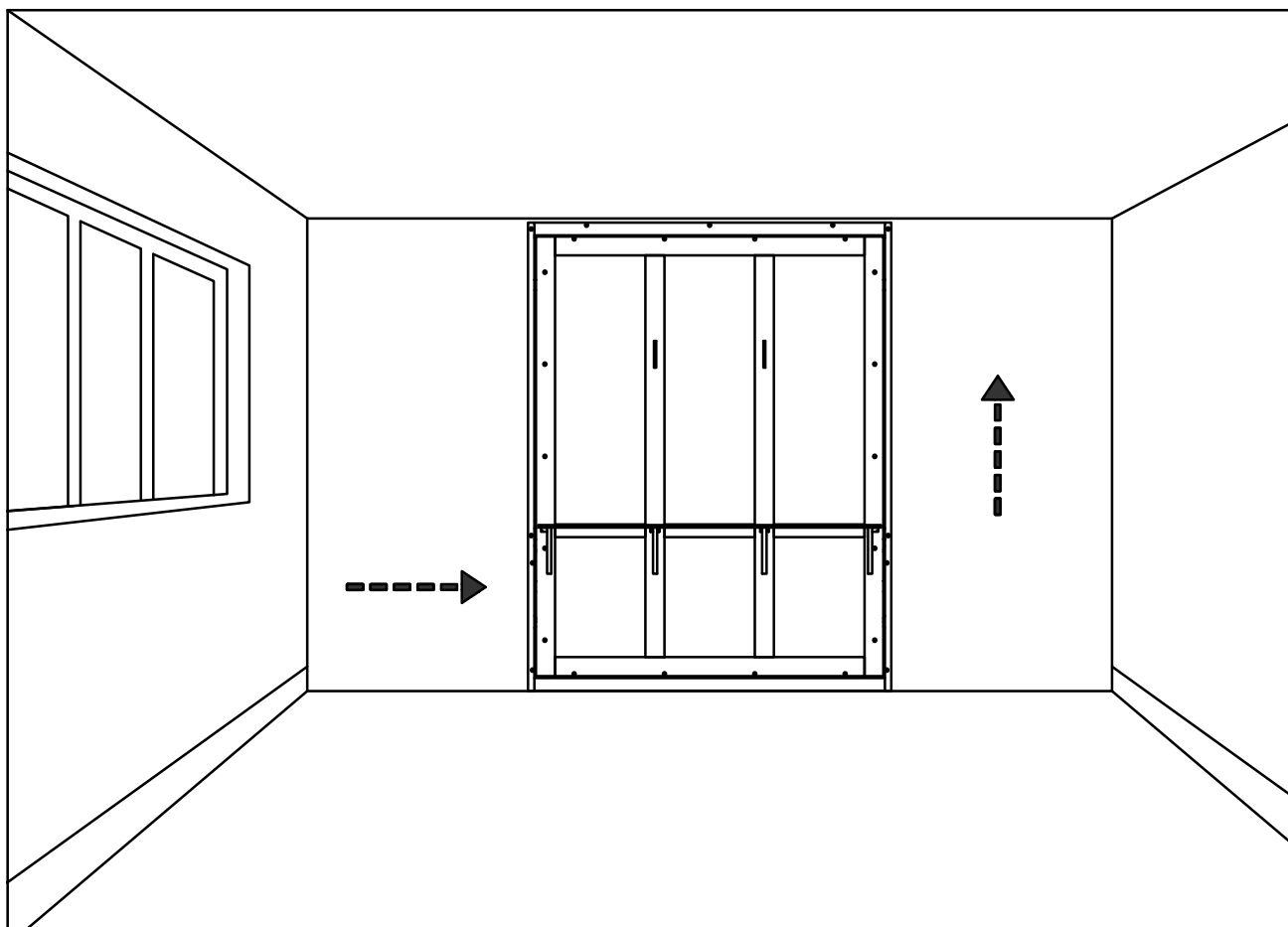
- 1 
- 4(pcs)
- 28 
- 8(pcs)



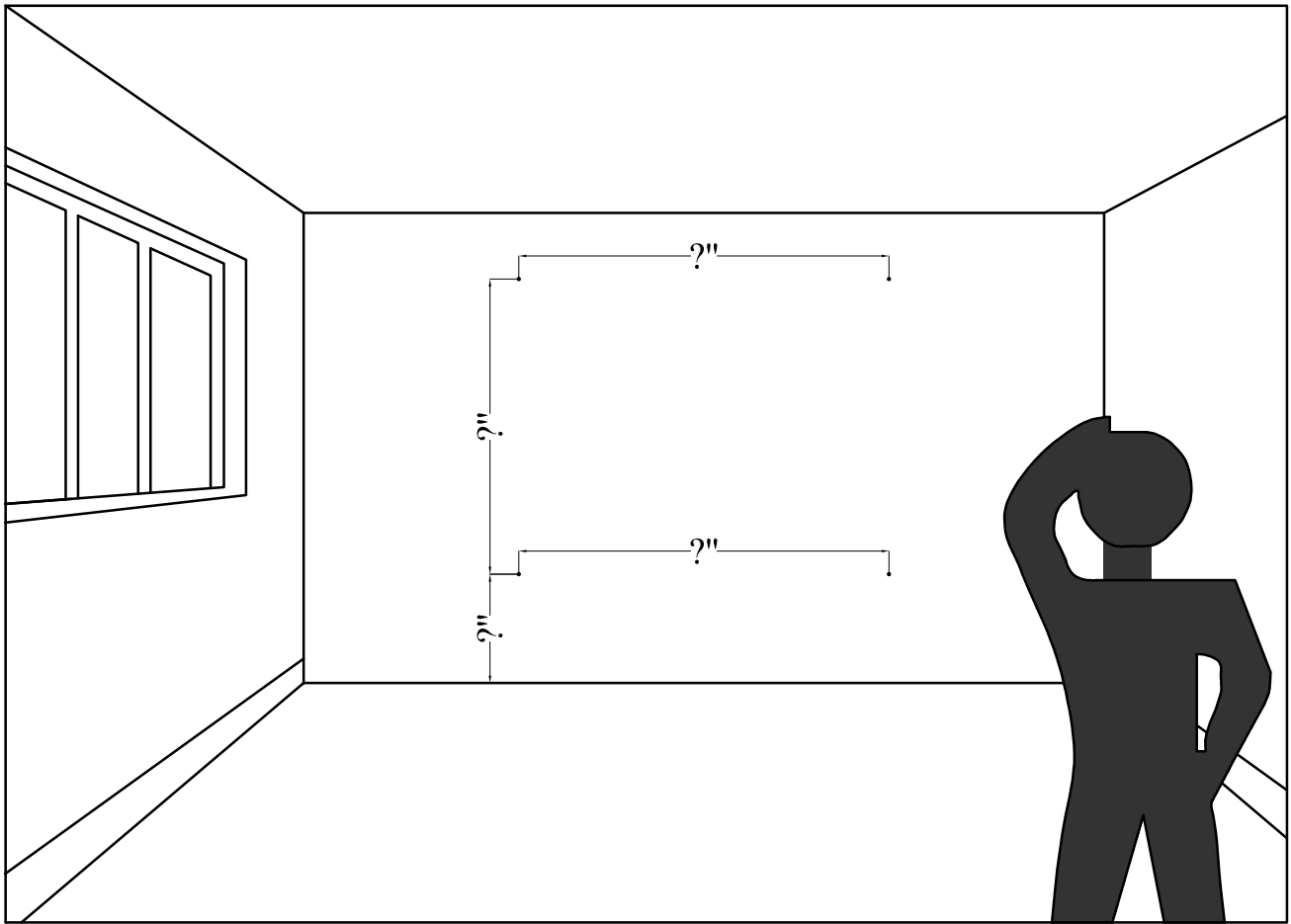
1- Determine the position of the bed in the room.



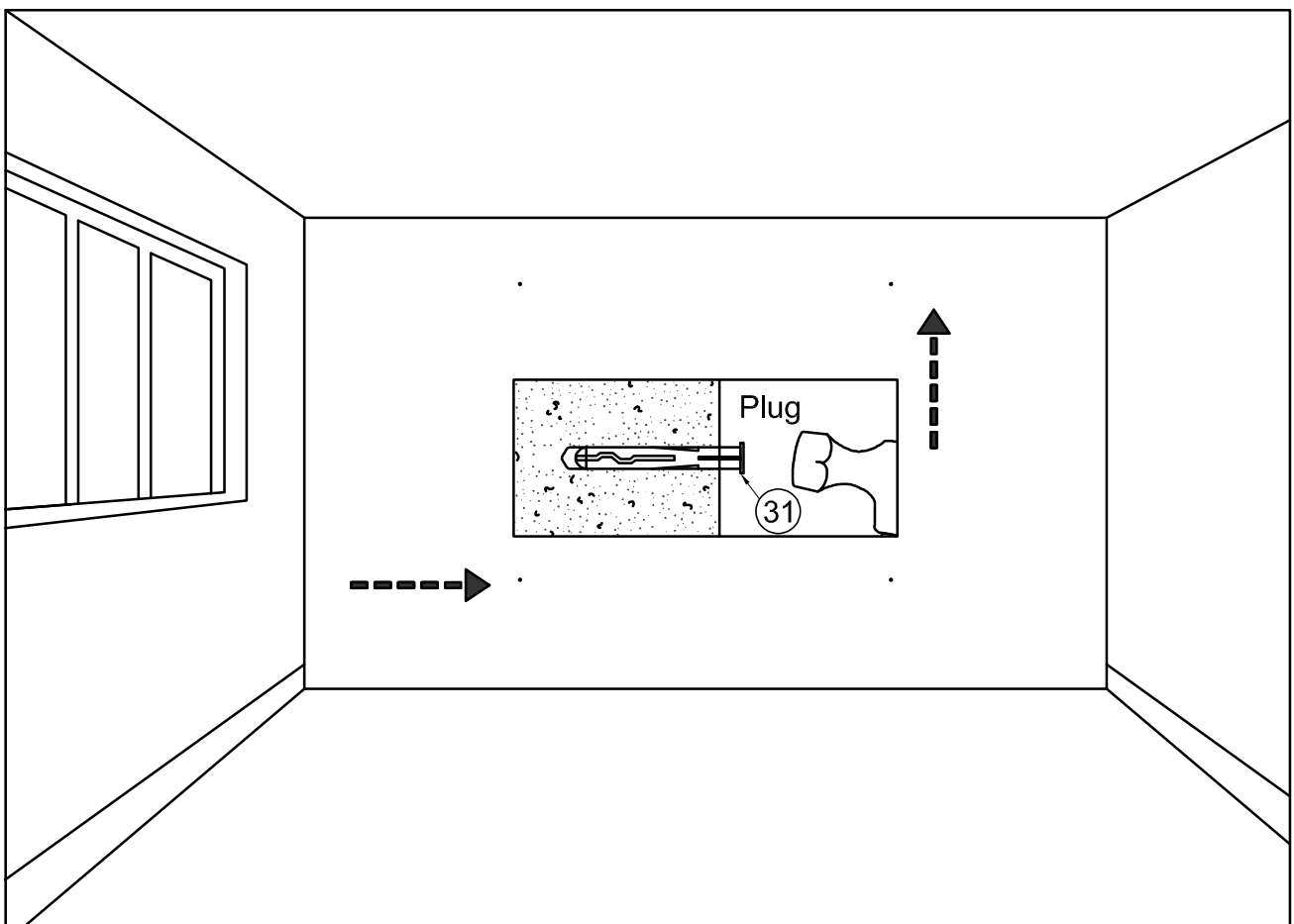
2- Put the bed back in its place. Please keep it vertical and horizontal.



3- Mark the points drill holes according to actual products



4- Drill the positions marked in step 3 and secure the plug.



Wall attached item only:

## A guide to wall mounting and fixings

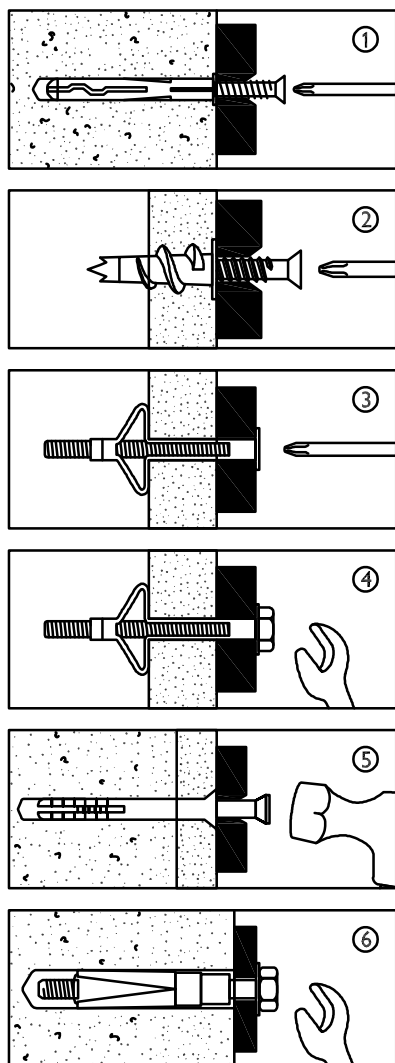


### Warning

Wall fixing screws are not included, since different wall materials require different types of screws / fixings. Please ensure you use the correct screws / fixings for your type of walls and seek professional advice if you are not sure.

Failure of the product due to incorrect fixings is the responsibility of the installer.

**Important:** When drilling into the walls always check that there are no hidden wires or pipes etc.



### Types of walls

You can use one of the following types of wall plug if your walls are made of brick, breezeblock, concrete, stone or wood.

#### 1. Genral Purpose wall plug

Generally aerated blocks should not be used to support heavy loads, use a specialist fitting in this case. For light loads, general - purpose wall plugs can be used.

#### 2. Plasterboard wall plug

For use when attaching light loads on to plasterboard partitions.

#### 3. Cavity Fixing wall plug

For use with plasterboard partitions or hollow wooden doors.

#### 4. Cavity Fixing - Heavy Duty wall plug

For use when fitting or supporting heavy loads such as shelving, wall cabinets and coat racks.

#### 5. Hammer Fixing wall plug

For use with walls stuck with plasterboard. The hammer fixing allows it to be fixed to the wall rather than the plasterboard. Always check the fixing is secure to the retaining wall.

#### 6. Shield Anchor wall plug - Heavy loads


For use with heavier load such as TV and HI-Fi speakers and satellite dishes etc.

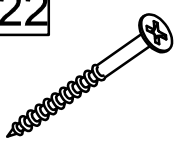


Care and maintenance

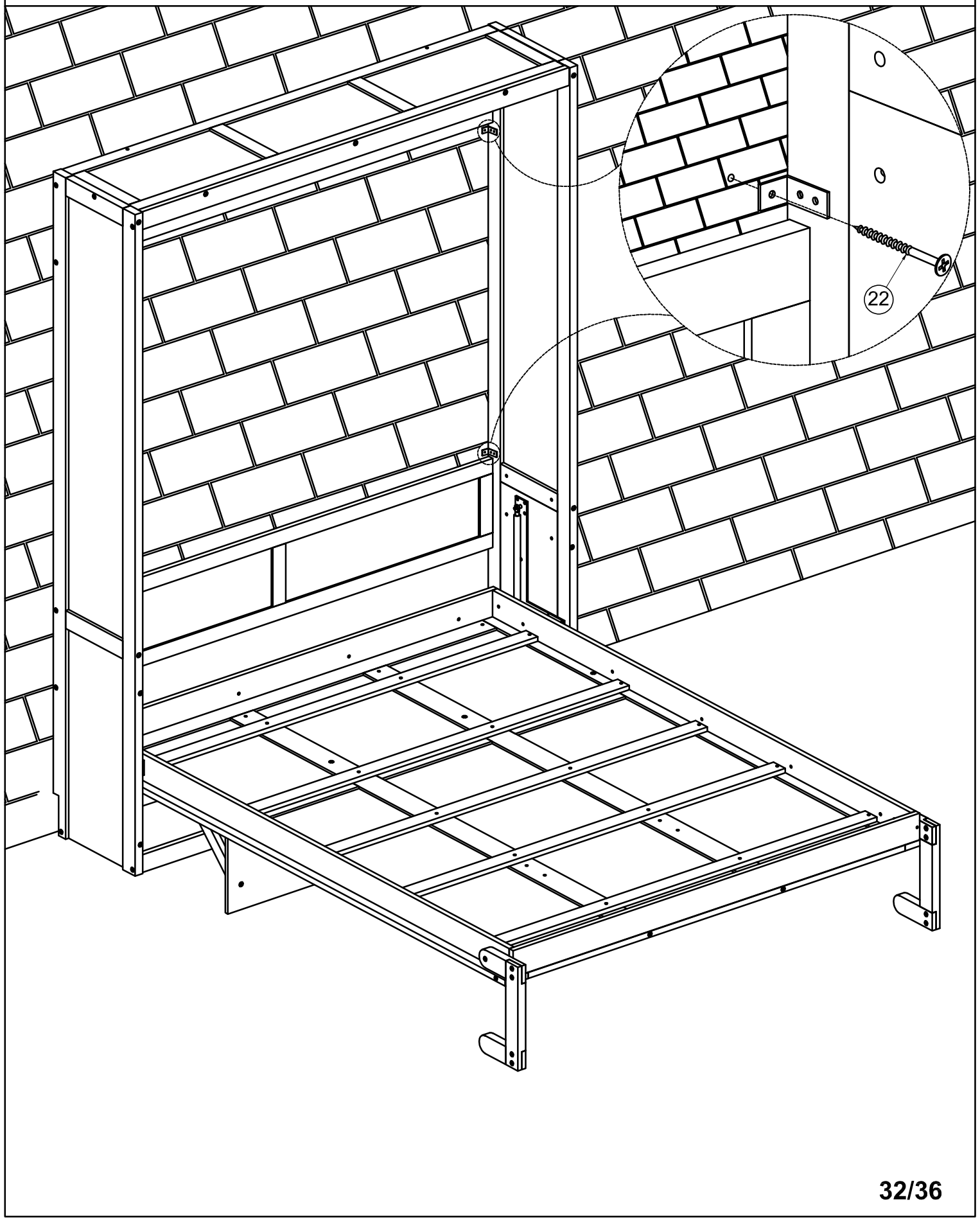
**Safety:** Periodically check all fittings and wall fixings to ensure they have not come loose and retighten as necessary.

# STEP29: Following below illustration.

 Four people are required to assemble and move this model.

22 

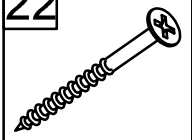
2(pcs)






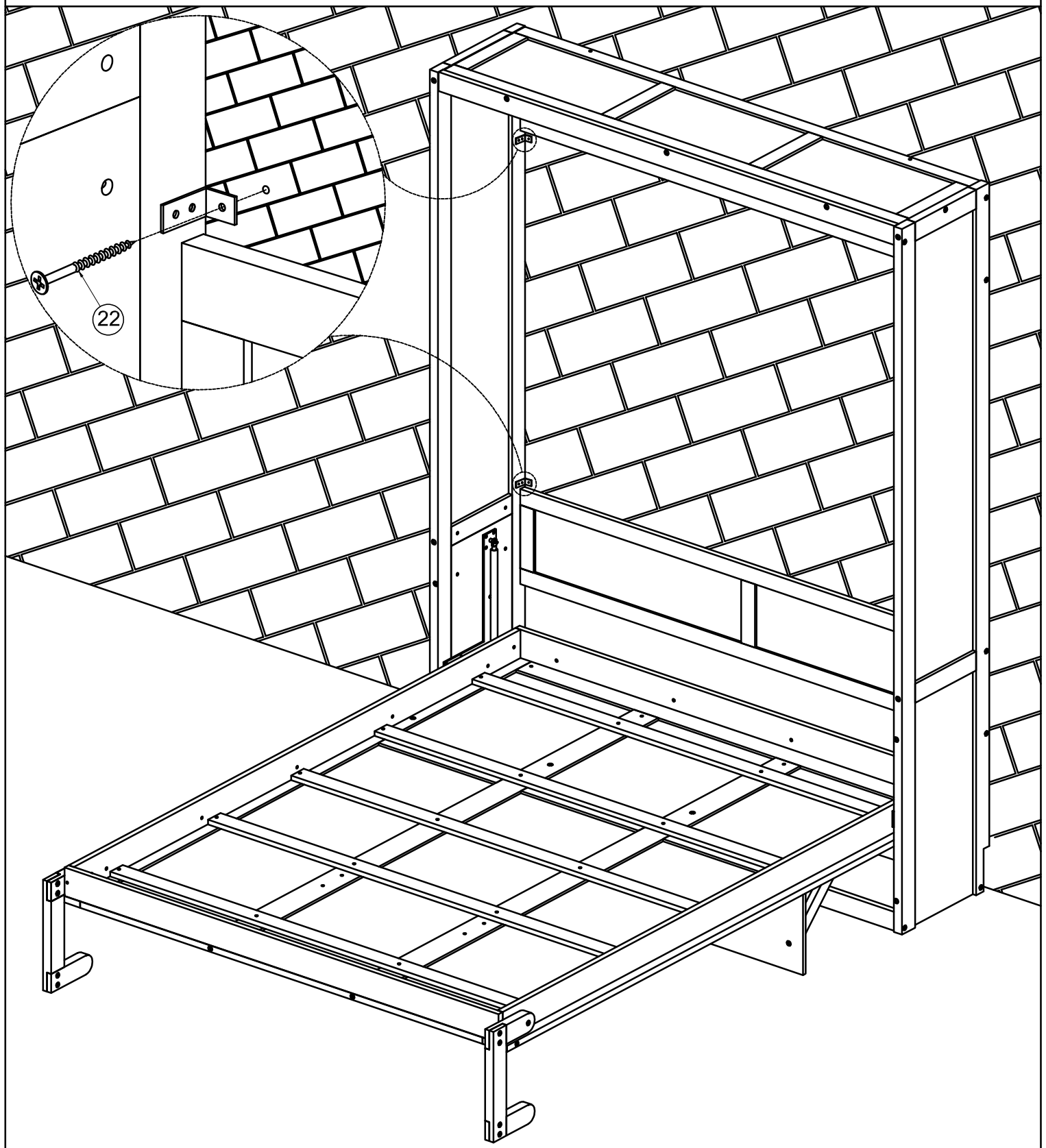
# STEP30: Following below illustration.

22

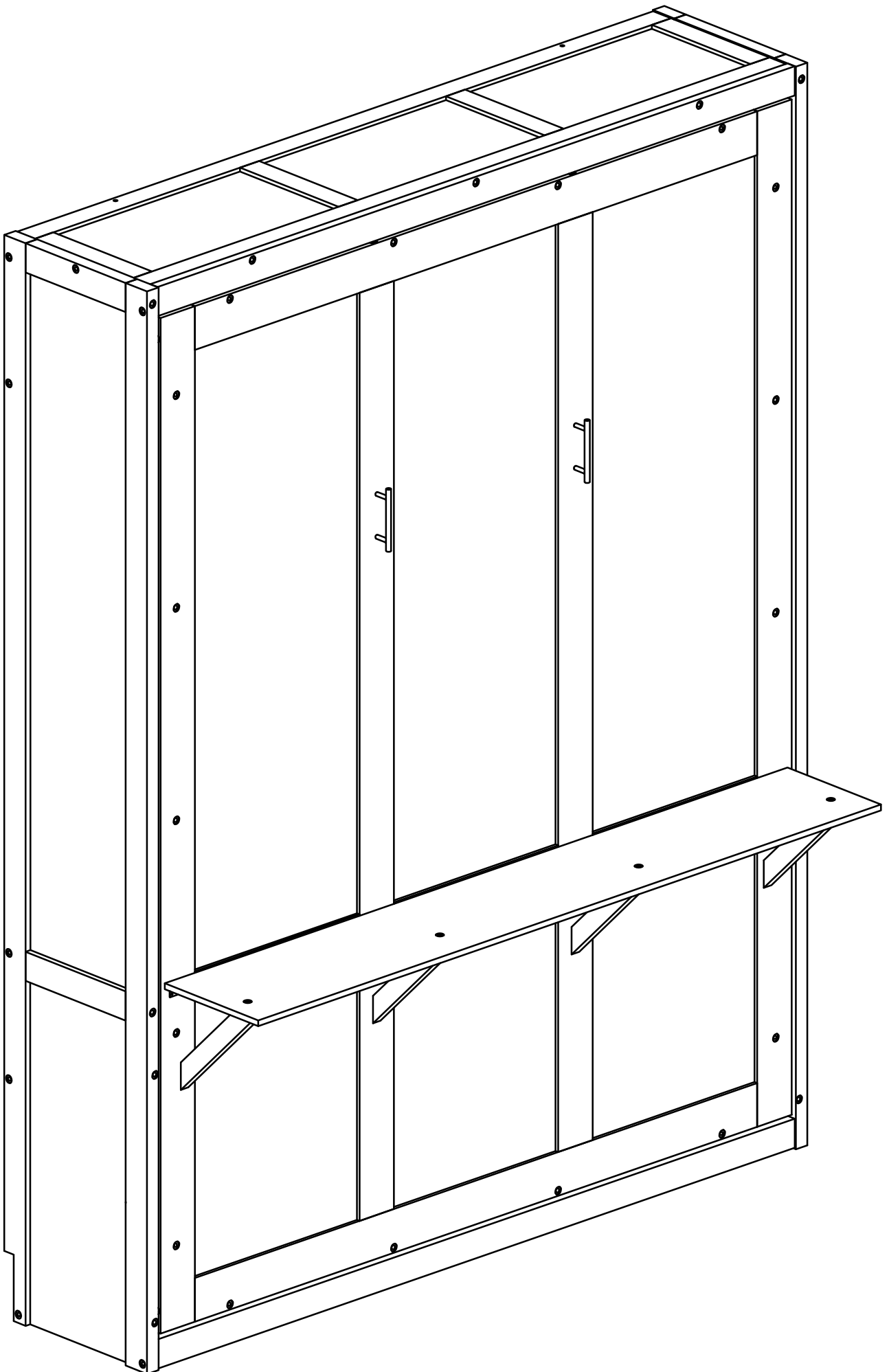


2(pcs)

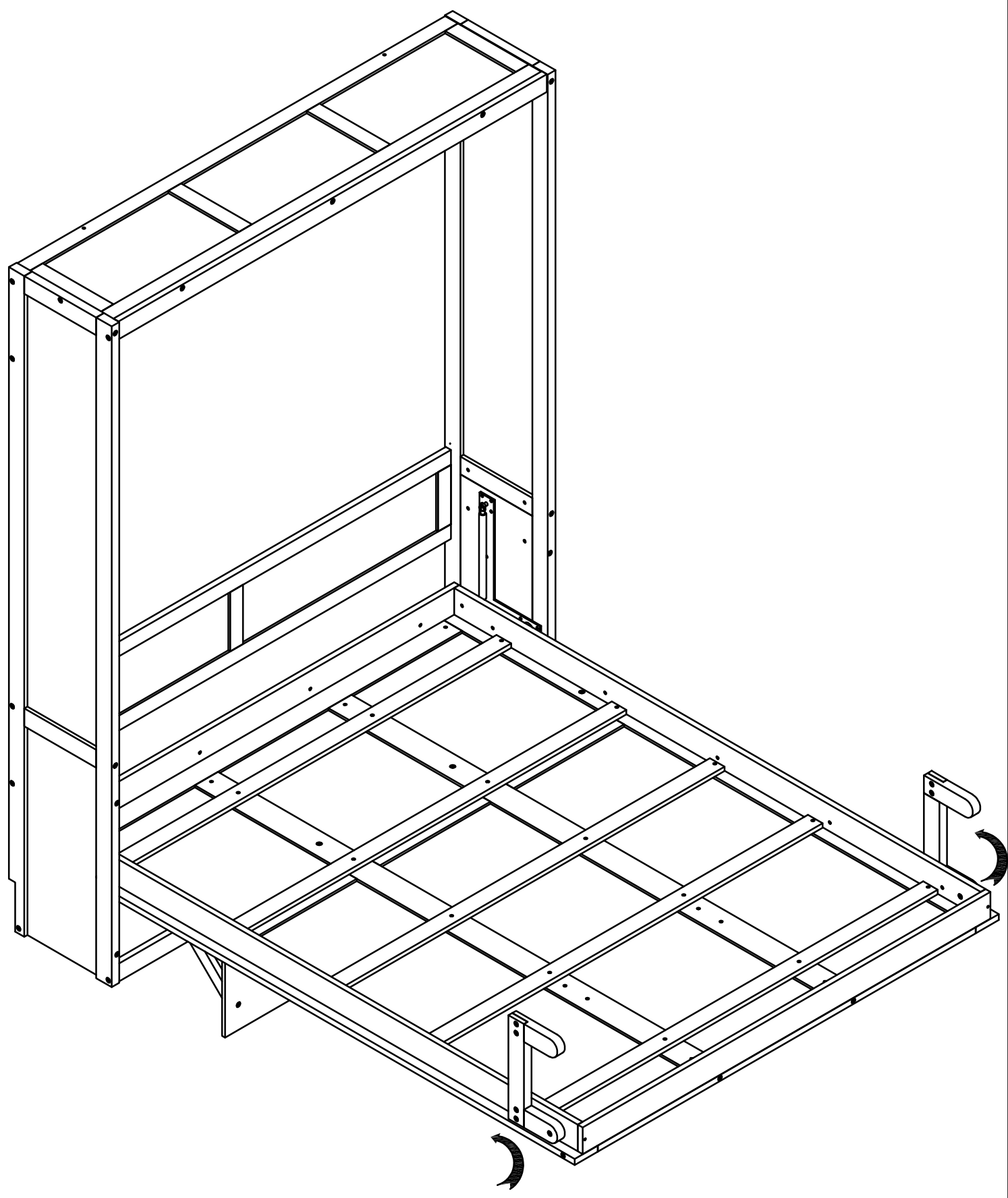
 Four people are required to assemble and move this model.



OPTION 2



**STEP 1:** Following below illustration.



**STEP 2:** Following below illustration.

