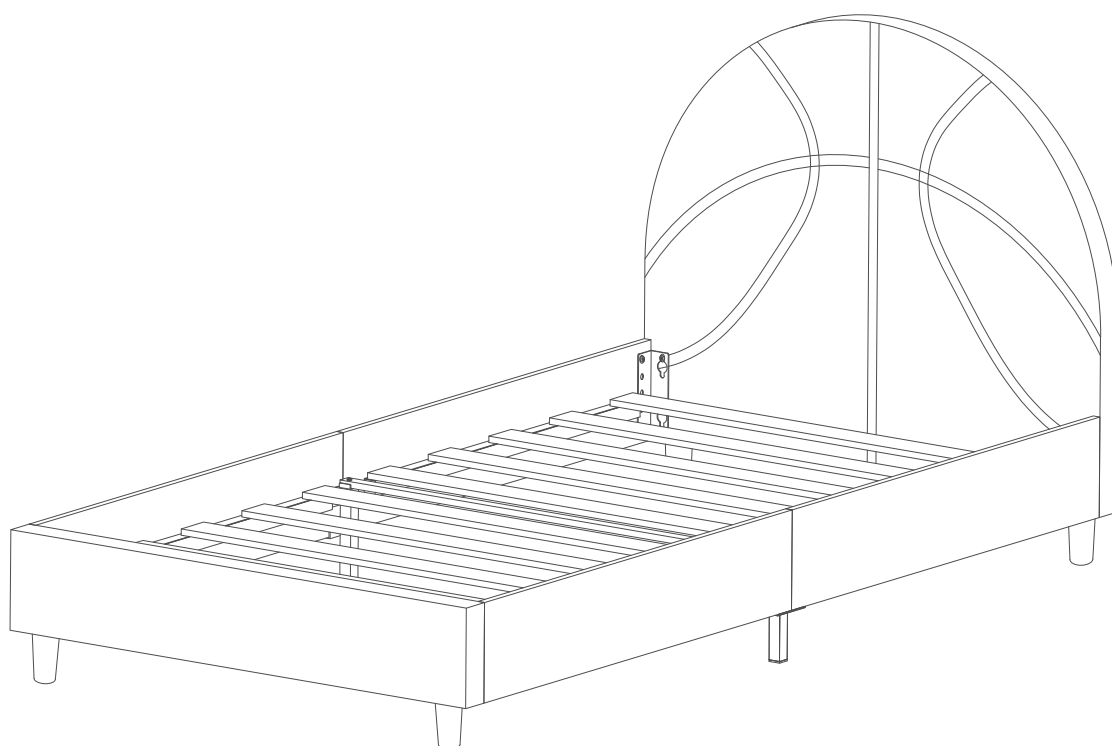


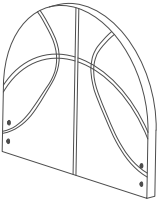
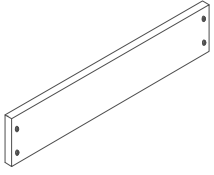
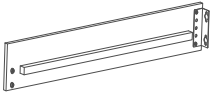

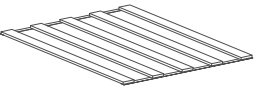
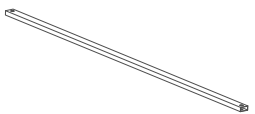
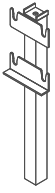

# **Upholstered Bed** / INSTRUCTION MANUAL



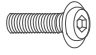

**WF322723AAA**

---

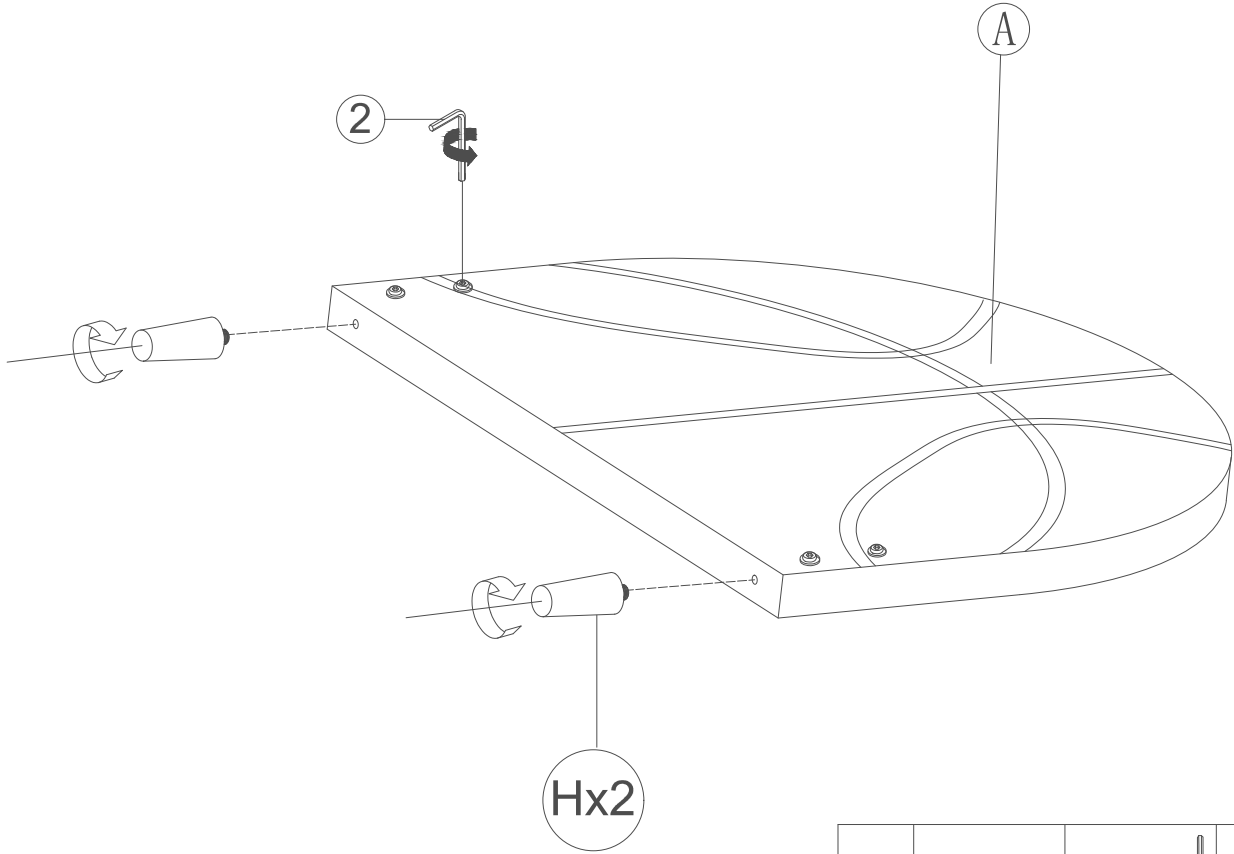
## PART LIST OF BED:

A	Headboard		1pc
B	Footboard		1pc
C	Side Rail		2pcs
D	Side Rail		2pcs
E	Slats		2pcs
F	Horizontal metal Support		1pc
F1	Side Rail Support leg		2pcs
H	Plastic Leg		4pcs

## HARDWARE LIST OF BED:

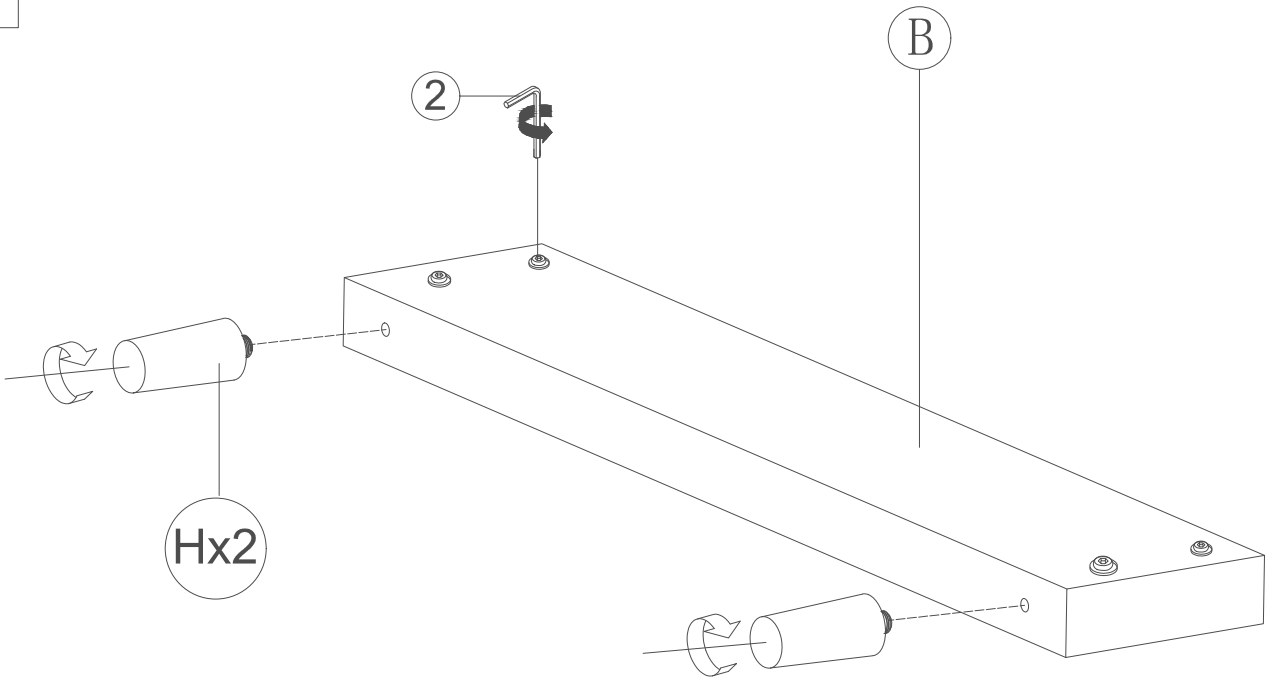
1	Bolt		M8*25	2pcs
2	Allen Key		35*70*M5	1pc


1



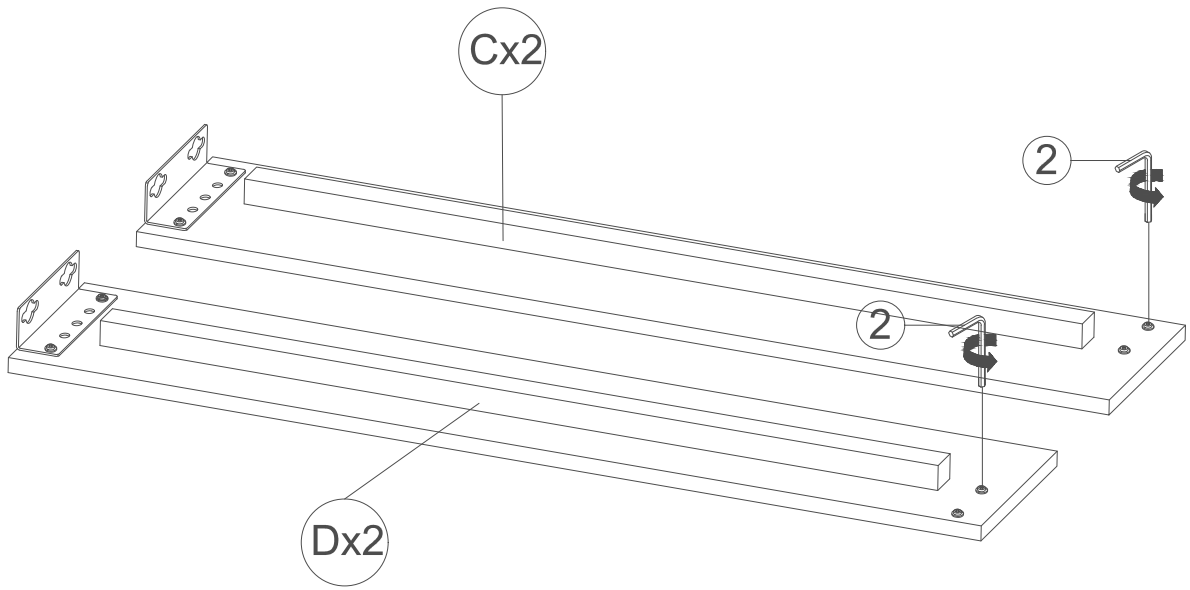
2	Allen Key		35*70*M5	1pc
---	-----------	---	----------	-----


2



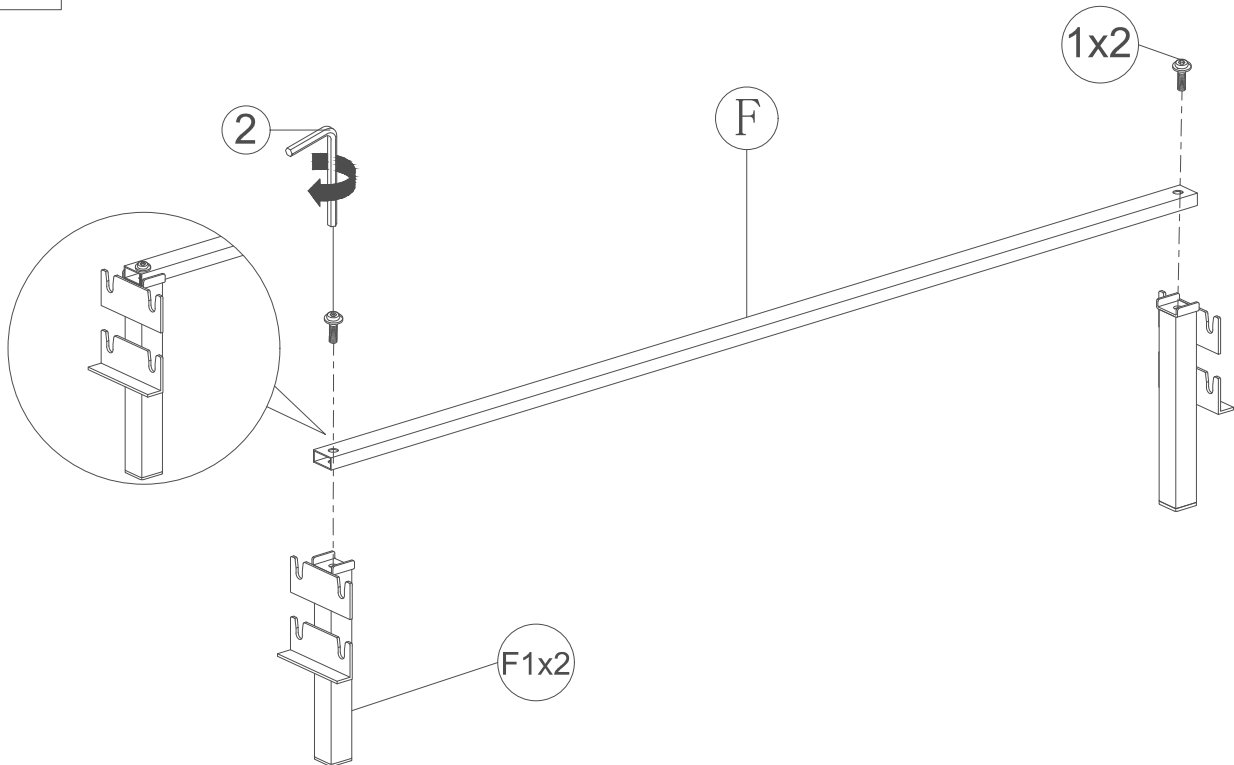
2	Allen Key		35*70*M5	1pc
---	-----------	---	----------	-----

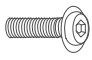

# 3



2	Allen Key		35*70*M5	1pc
---	-----------	---	----------	-----

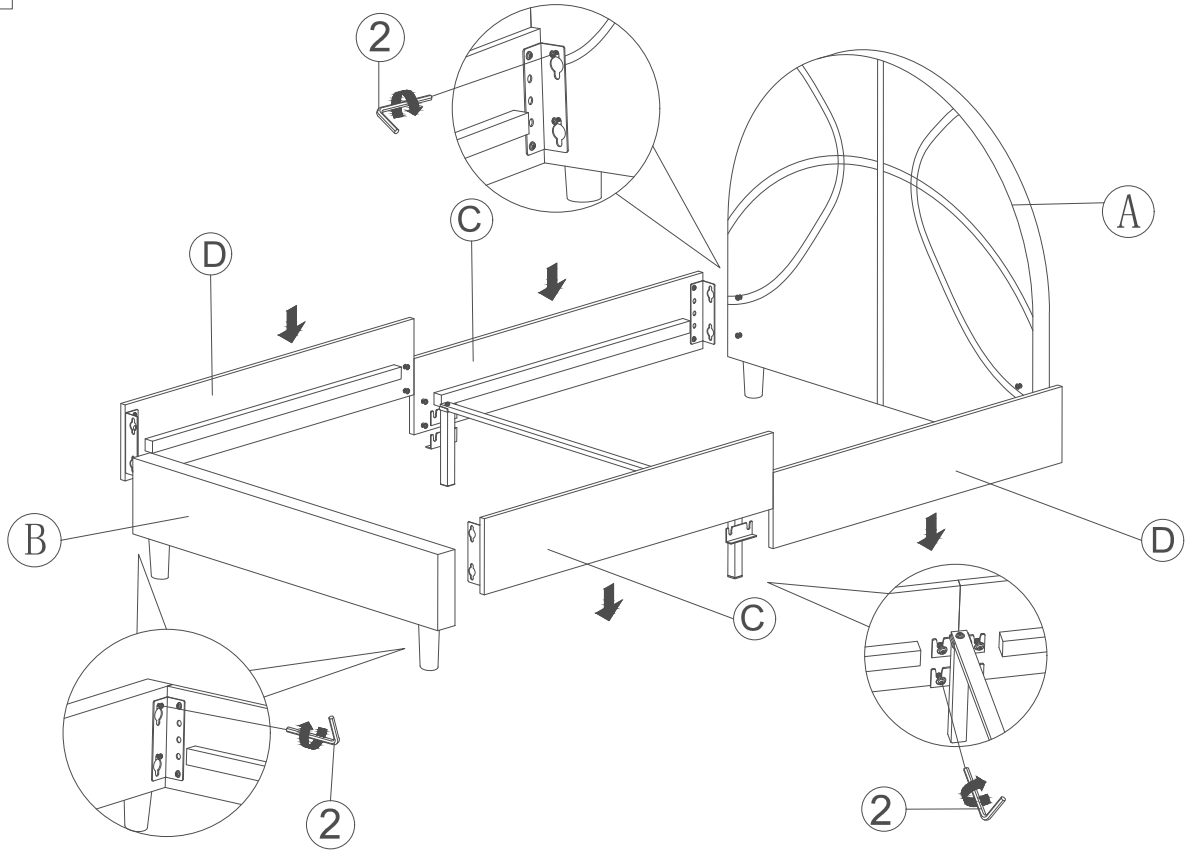
# 4



1	Bolt		M8*25	2pcs
2	Allen Key		35*70*M5	1pc

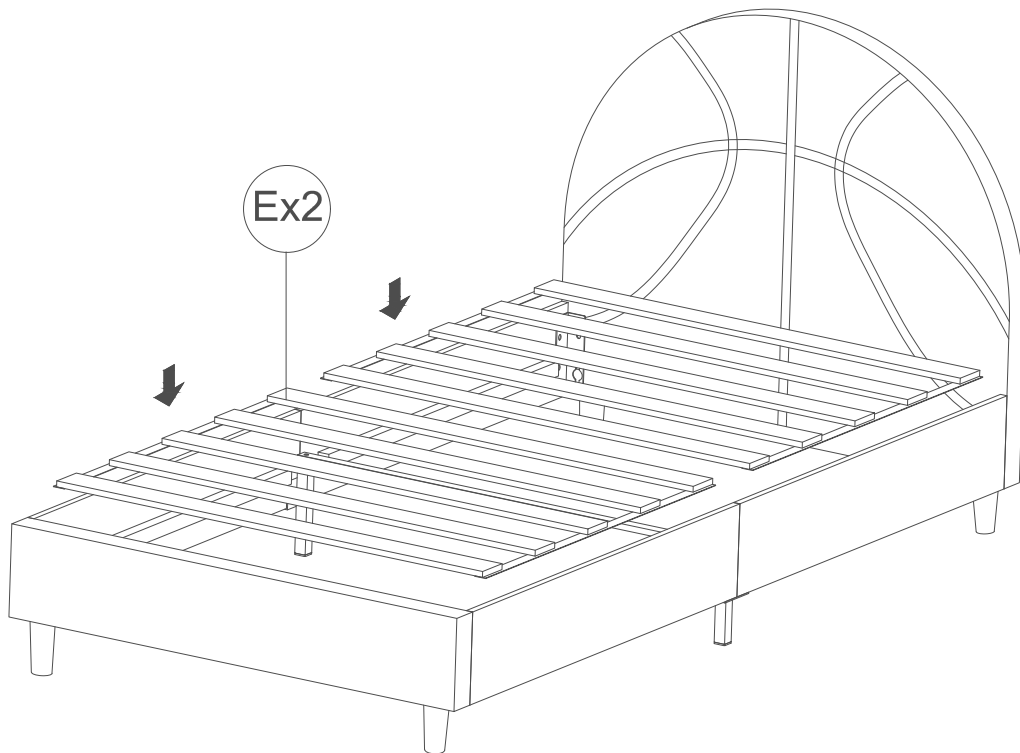
# 5

After the hanging piece is hung on the screw, tighten the screw clockwise to 100%.



2	Allen Key		35*70*M5	1pc
---	-----------	---	----------	-----

# 6



7

