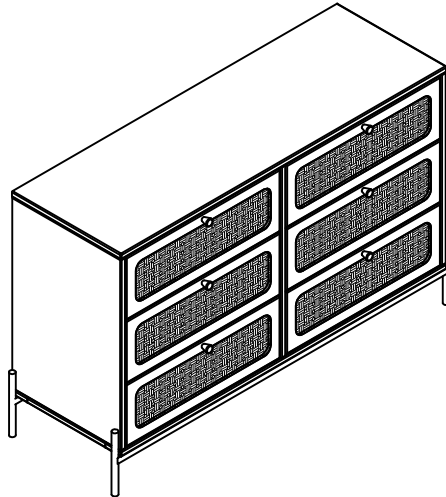
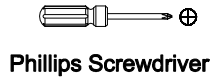


ASSEMBLY INSTRUCTIONS

Rattan Dresser Item# WF315593

Tools Required
(Not Provided)



SAFETY PRECAUTION

1. KEEP ALL HARDWARE PARTS OUT OF REACH OF CHILDREN.
2. DISPOSE PLASTIC PACKAGING MATERIAL IMMEDIATELY TO AVOID ANY RISK OF SUFFOCATION TO CHILDREN AND ANIMALS.

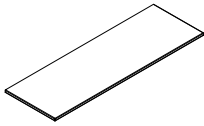
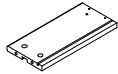
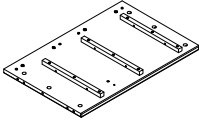
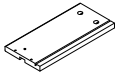
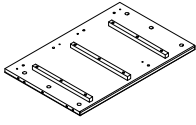
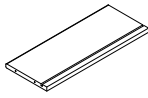
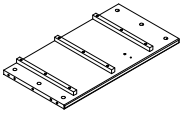
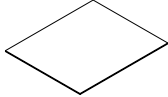
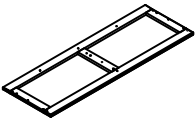
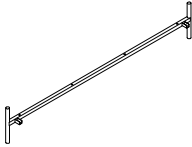
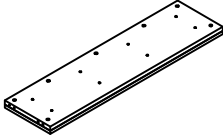
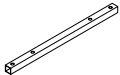
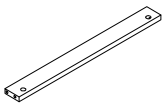
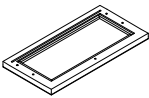
TIPS FOR ASSEMBLY

1. Allow ample room for assembly and assemble the product near where product will be placed.
2. Assemble the product on a surface that does not scratch or damage the exterior gloss and finish of the furniture.
3. Identify all of the parts, hardware and quantities required for each step.
4. During assembly, do not over-tighten any fittings as this may cause damage.
5. DO NOT USE POWER TOOLS TO ASSEMBLE THIS PRODUCT.
6. Always place the product on a flat, level surface.
7. Do not sit or stand on the partially assembled product; only use the product for which it is intended.

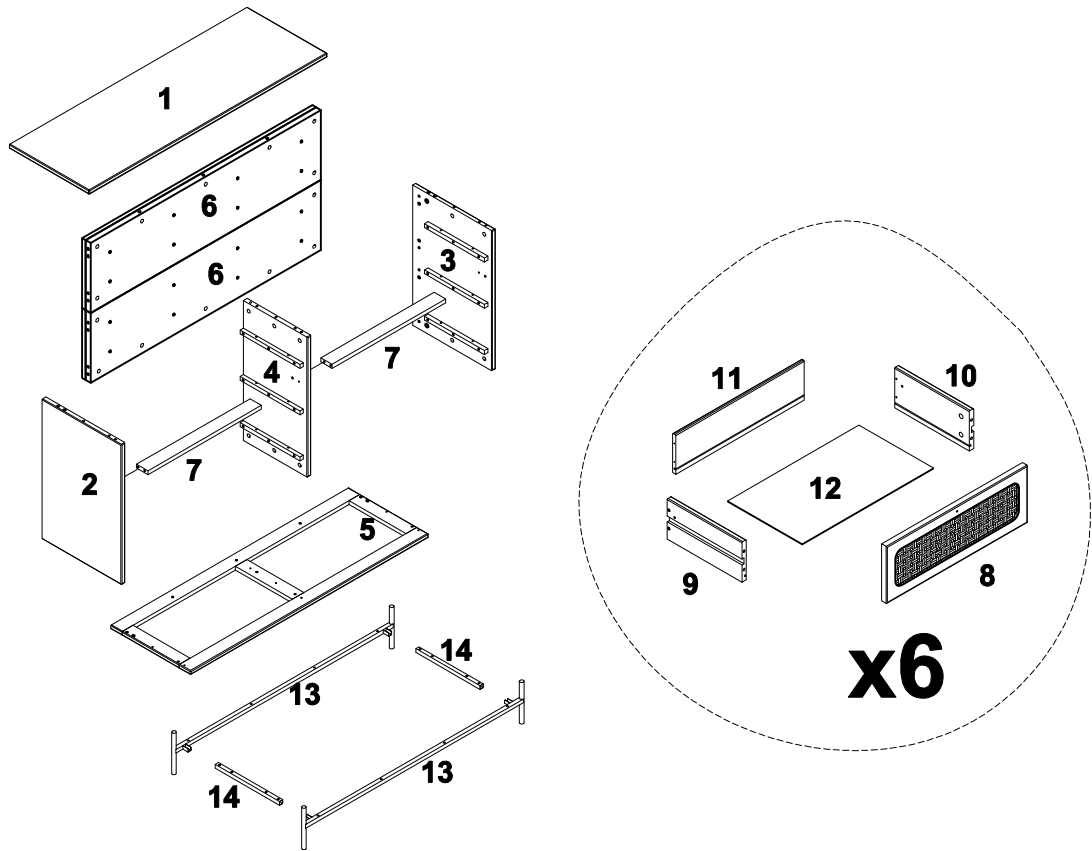
CARE AND MAINTENANCE

- Use a slightly damp cloth to clean the product. Do not use bleach or abrasive cleaning material.
- Check all the fittings periodically and re-tighten as necessary. Do not use the product if any of the parts is damaged or broken.
- Never allow any kind of liquid to remain on your furniture. Absorption can cause wood to warp or delaminate.
- Do not place hot items (e.g. hot drinks) directly onto the wood surface.
- Do not drag and/or pull the furniture.





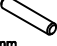







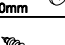


Parts List

ITEM	DESCRIPTION	PART	QTY	ITEM	DESCRIPTION	PART	QTY
1	Top Panel		1pc	9	Drawer Left Panel		6pcs
2	Left Frame		1pc	10	Drawer Right Panel		6pcs
3	Right Frame		1pc	11	Drawer Back Panel		6pcs
4	Middle Frame		1pc	12	Drawer Bottom Panel		6pcs
5	Bottom Frame		1pc	13	Metal Leg		2pcs
6	Back Panel		2pcs	14	Metal Bottom Bar		2pcs
7	Bar		2pcs				
8	Drawer Front Panel		6pcs				

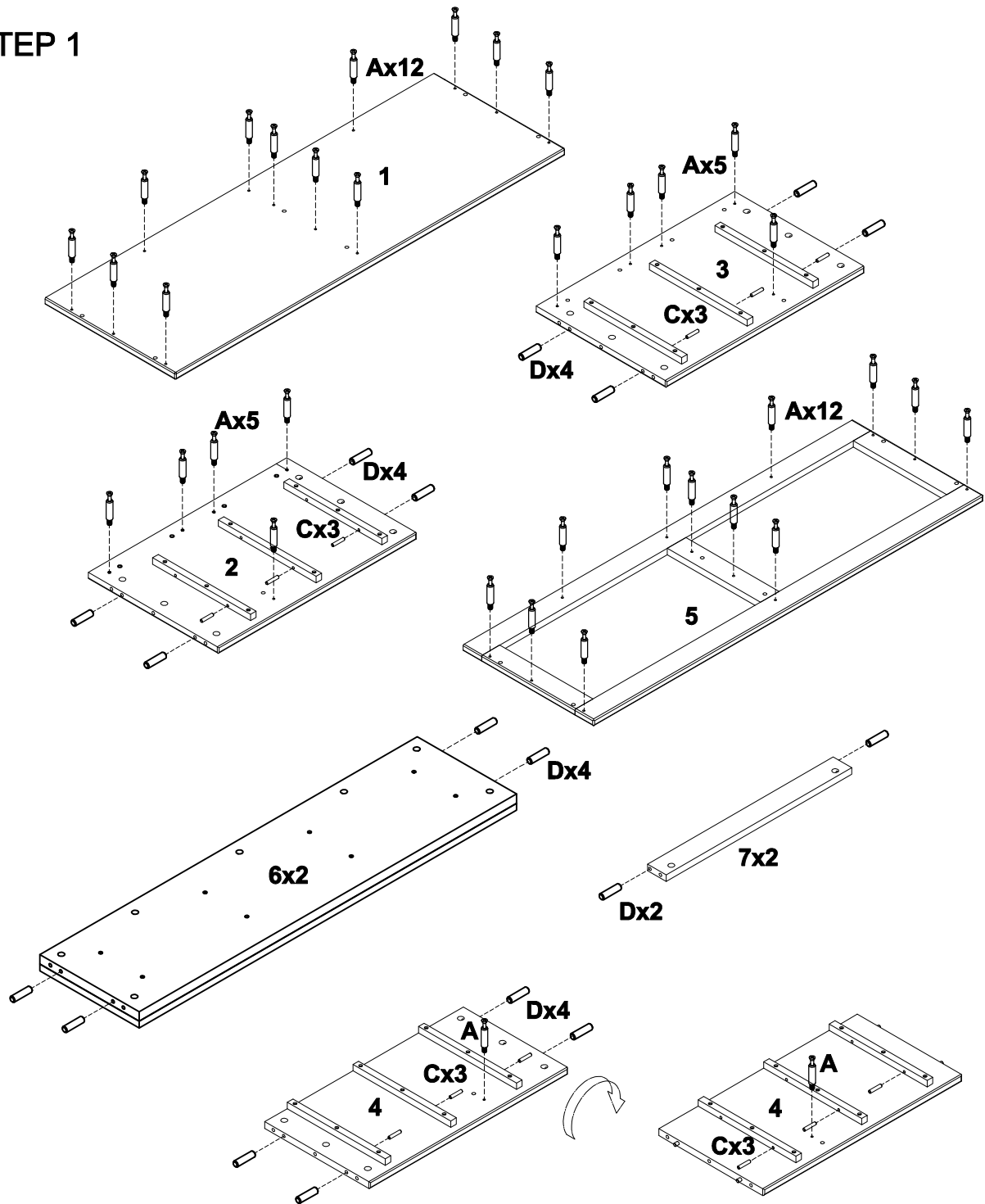
Parts Assembly Overview



Hardware List

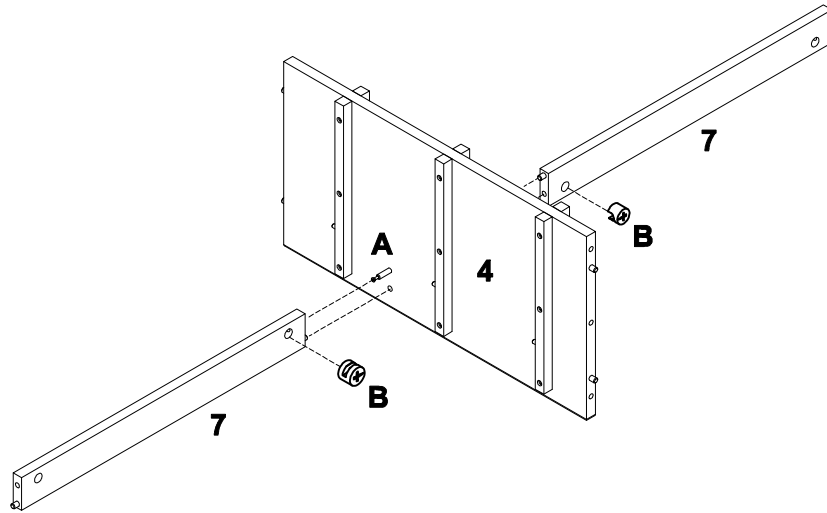
ITEM	DESCRIPTION	HARDWARE	QTY	ITEM	DESCRIPTION	HARDWARE	QTY
A	Cam-bolt	 D15	60pcs	J	Screw	 M6*15	4pcs
B	Cam-lock	 D15	60pcs	K	Screw	 M6*30	12pcs
C	Wood Dowel	 6*40mm	24pcs	L	Allen Key		1pc
D	Wood Dowel	 8*30mm	24pcs	M	Strap		2pcs
E	Screw	 3.5*15mm	2pcs	N	Washer		4pcs
F	Screw	 3.5*30mm	2pcs	O	Anchor		2pcs
G	Screw	 3.5*30mm	24pcs				
H	Handle		6pcs				
I	Screw		6pcs				

STEP 1



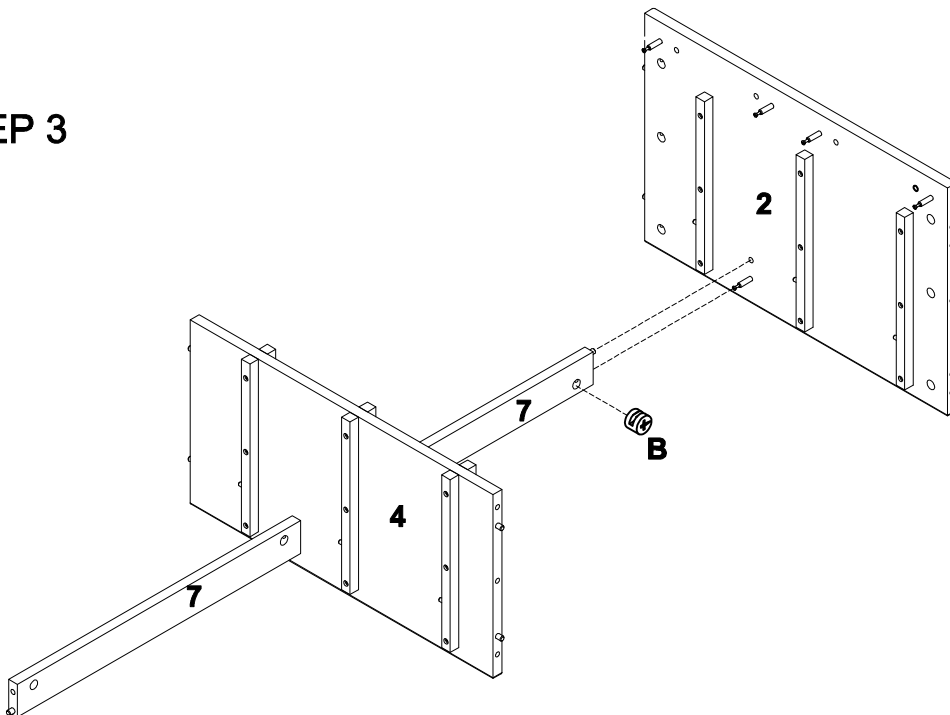
- Lay Top Panel (1) flat down with bottom-side facing up. Screw in Cam-bolts (A) into designated holes as shown. Same operations to Bottom Frame (5).
- Insert both Wood Dowels (C) and Wood Dowels (D) into designated holes on Left Frame (2) and Right Frame (3). Screw in Cam-bolts (A) into designated holes as shown.
- Insert Wood Dowels (D) into designated holes as shown on Back Panels (6) and Bar (7).
- Insert Wood Dowels (C) and Cam-bolts (A) on both sides of Middle Frame (4) as shown. Insert Wood Dowels (D) on two short edges of (4).

STEP 2



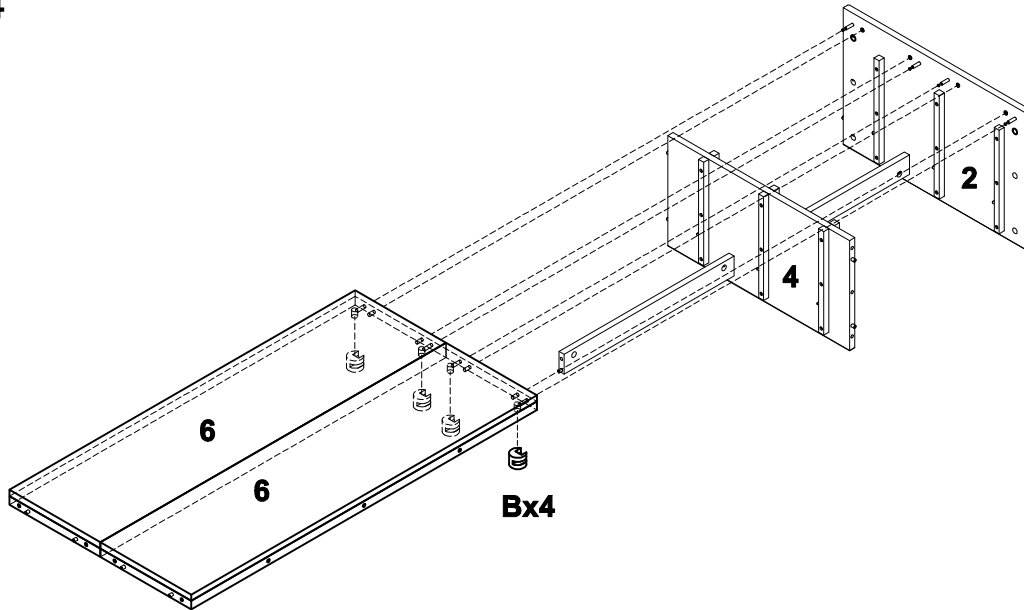
- a) Attach Bars (7) to Middle Frame (4).
- b) Insert Cam-lock (B) into the designated hole on (7) and then turn clockwise to lock onto Cam-bolt (A) on (4).

STEP 3



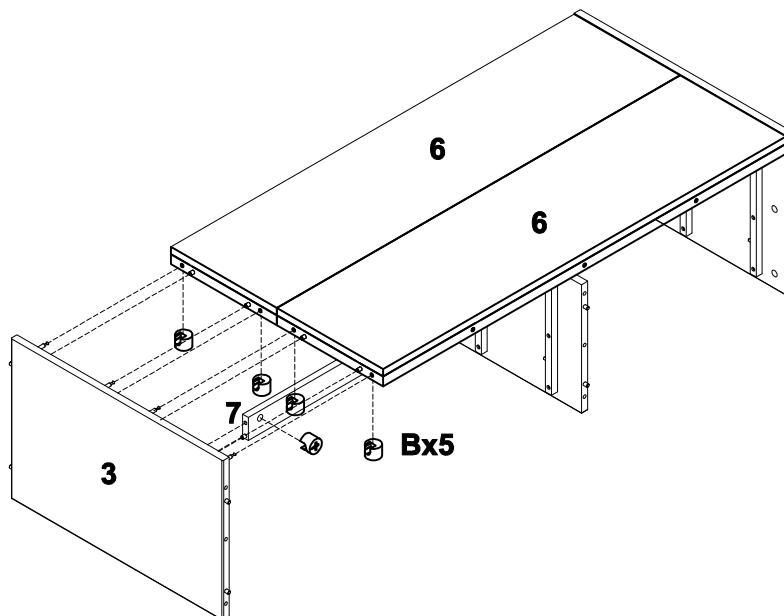
- a) Attach Bar (7) to Left Frame (2).
- b) Insert Cam-lock (B) into the designated hole on (7) and then turn clockwise to lock onto Cam-bolt on (2).

STEP 4



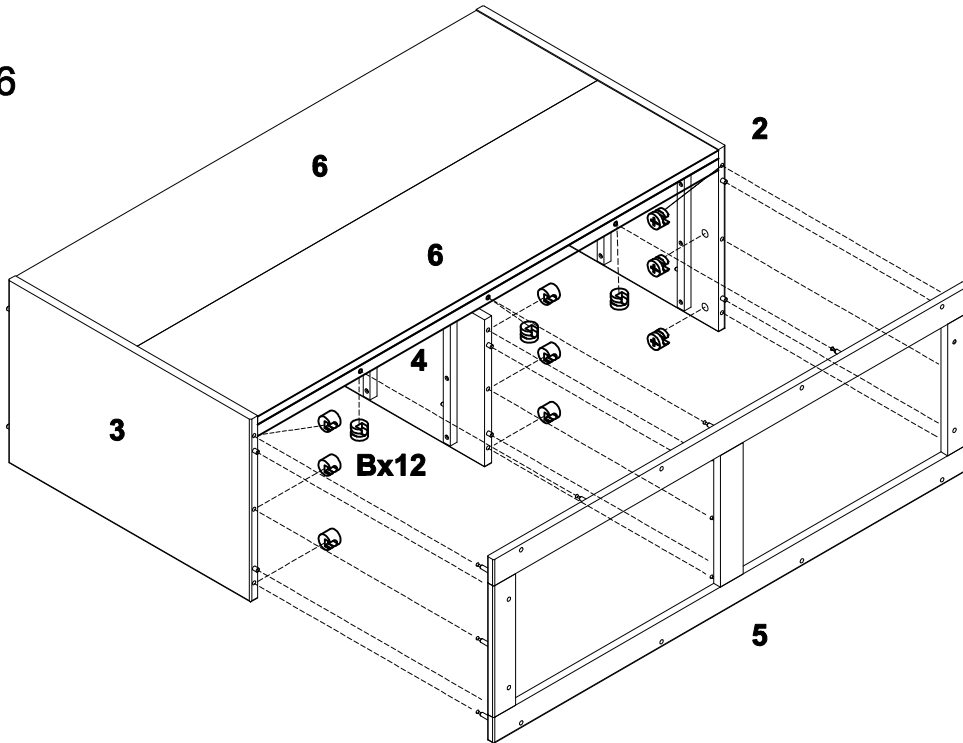
- a) Attach Back Panels (6) to Left Frame (2) as shown.
- b) Insert Cam-locks (B) into the designated holes on (6) and then turn clockwise to lock onto Cam-bolts on (2).

STEP 5



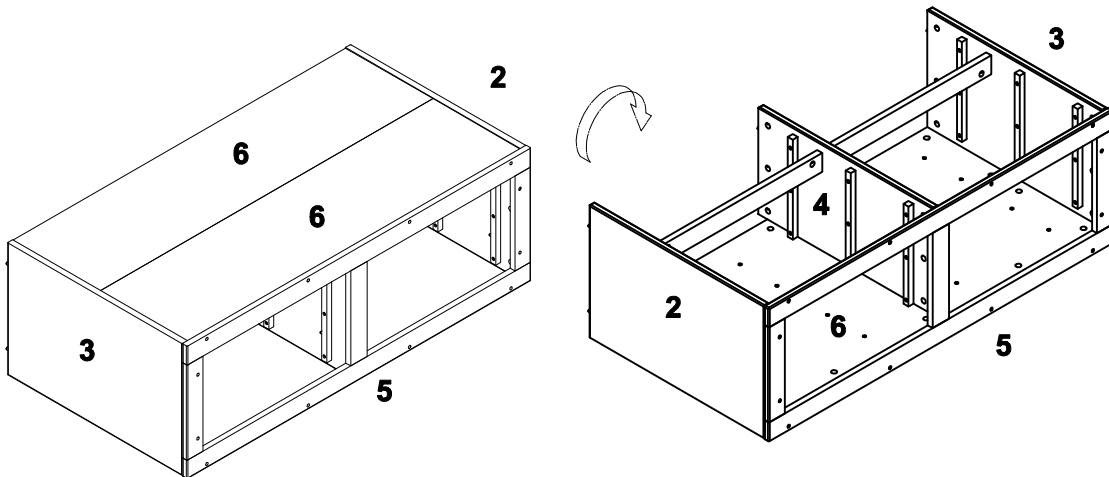
- a) Attach Bar (7) and Back Panels (6) to Right Frame (3).
- b) Insert Cam-locks (B) into the designated holes on (6) & (7) and then turn clockwise to lock onto Cam-bolts on (3).

STEP 6



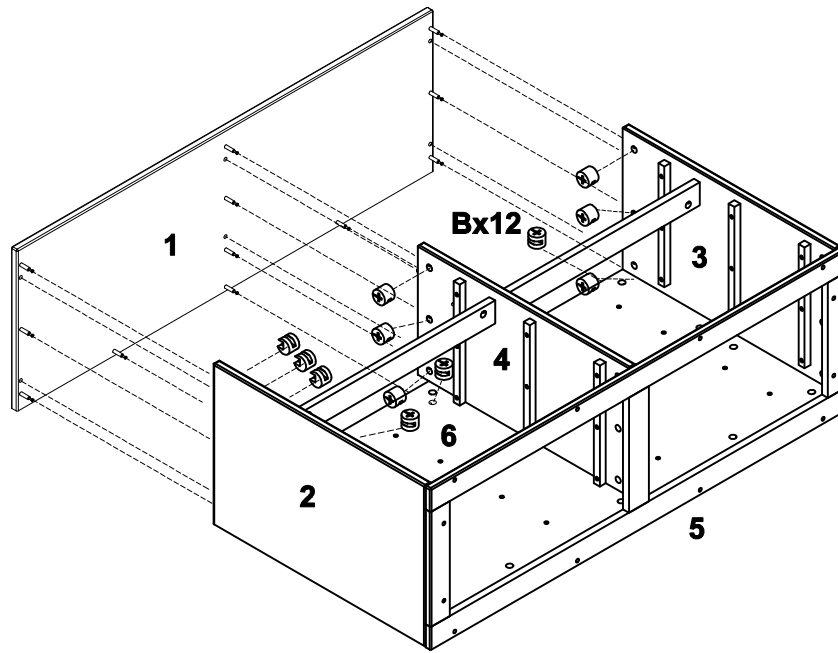
- Attach Bottom Frame (5) to Left Frame (2), Right Frame (3), Middle Frame (4) and Back Panel (6).
- Insert Cam-locks (B) into the designated holes on (2) & (3) & (4) & (6) and then turn clockwise to lock onto Cam-bolts on (5).

STEP 7



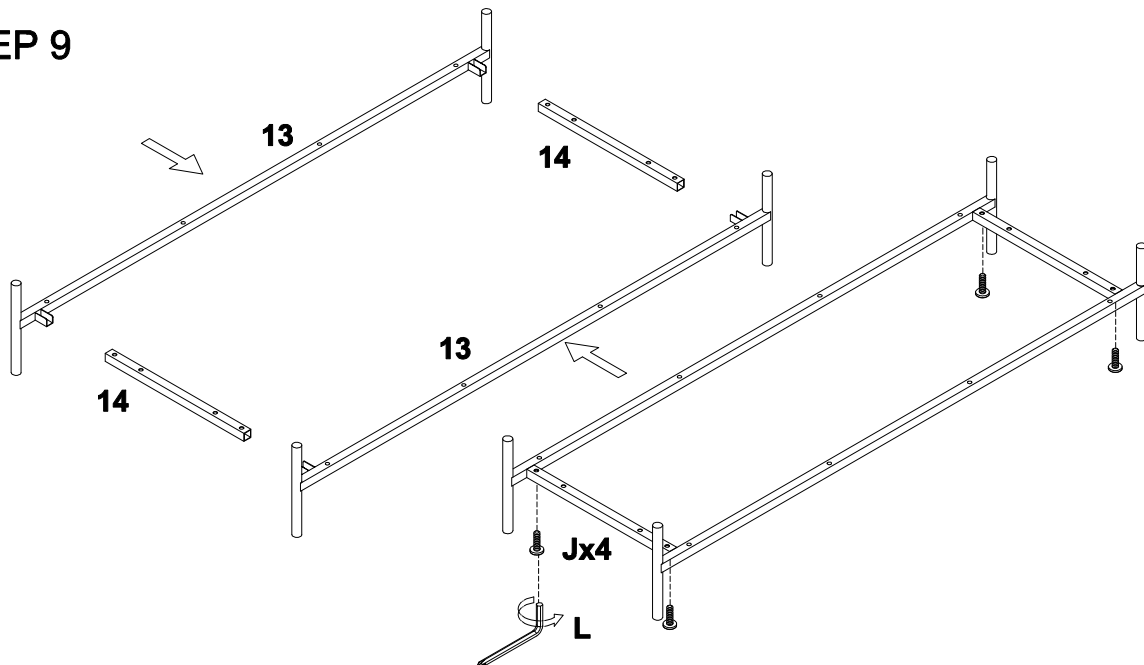
- Turn around the dresser.

STEP 8



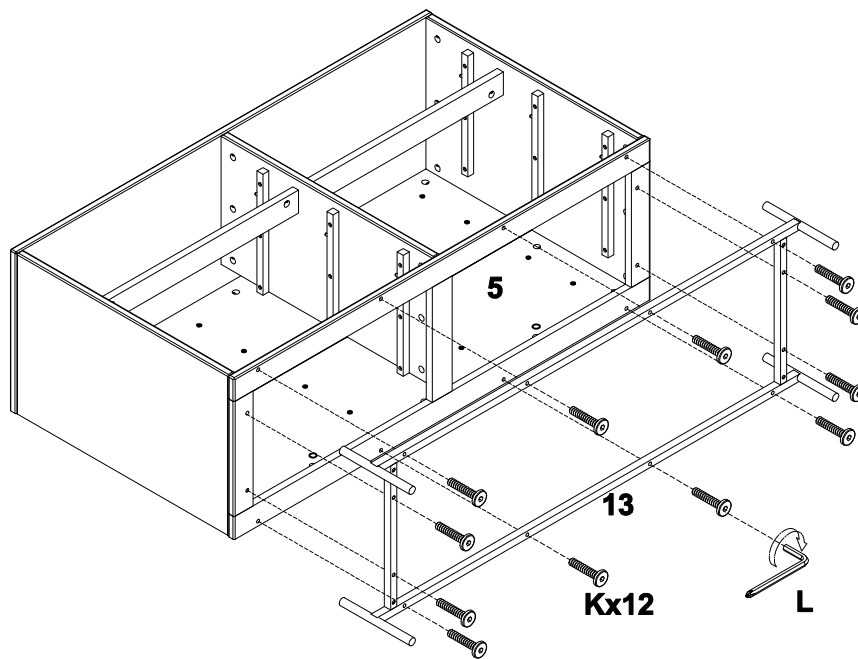
- Attach Top Panel (1) to Left Frame (2), Right Frame (3), Middle Frame (4) and Back Panels (6).
- Insert Cam-locks (B) into the designated holes on (2) & (3) & (4) & (6) and then turn clockwise to lock onto Cam-bolts on (1).

STEP 9



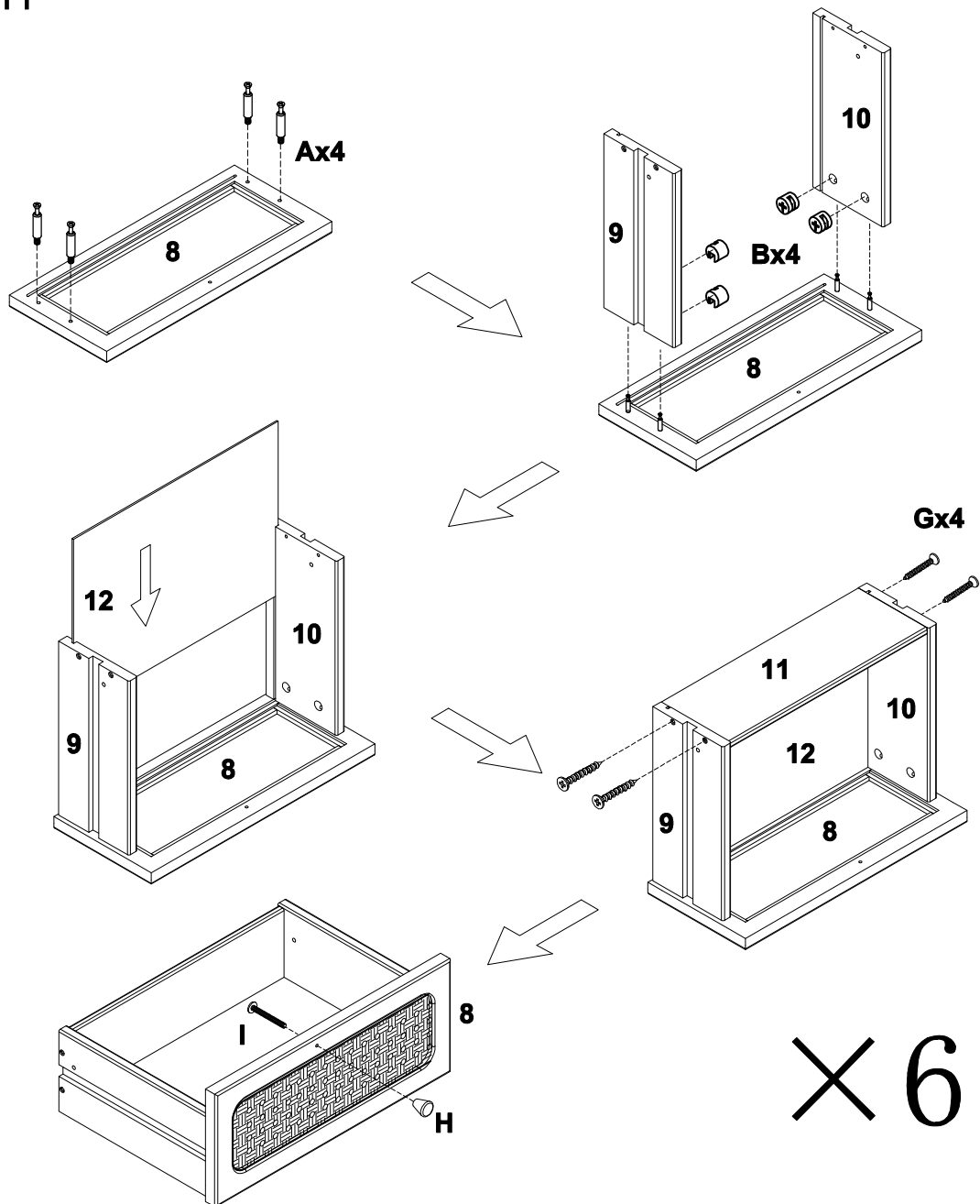
- Inset Metal Bottom Bar (14) into Metal Leg (13).
- Lock 13 & 14 with Screw (J) by Allen Key (L).

STEP 10



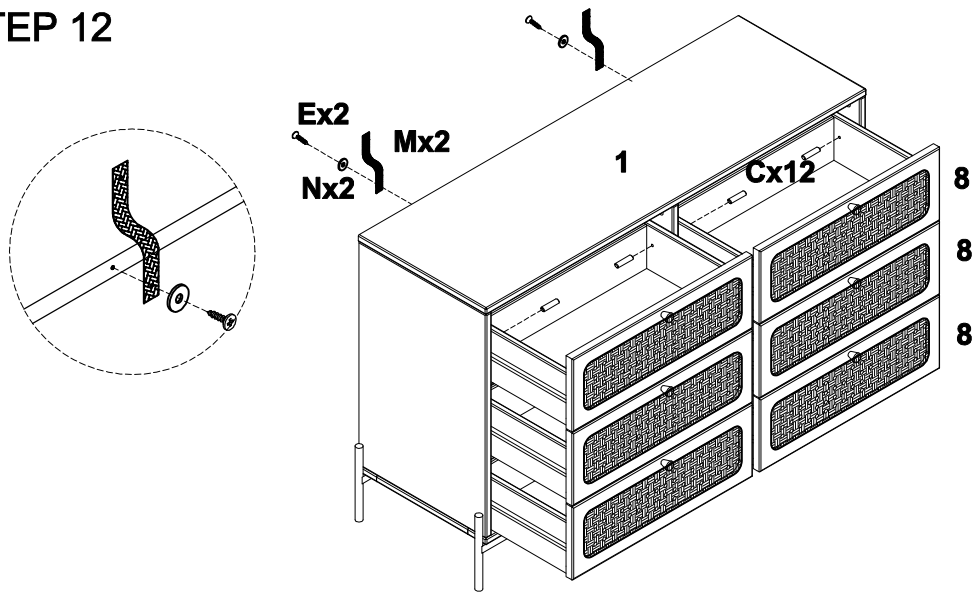
- a) Attach Metal Leg frame to Bottom Frame (5).
- b) Lock the two parts with Screws (K) by Allen Key (L).

STEP 11



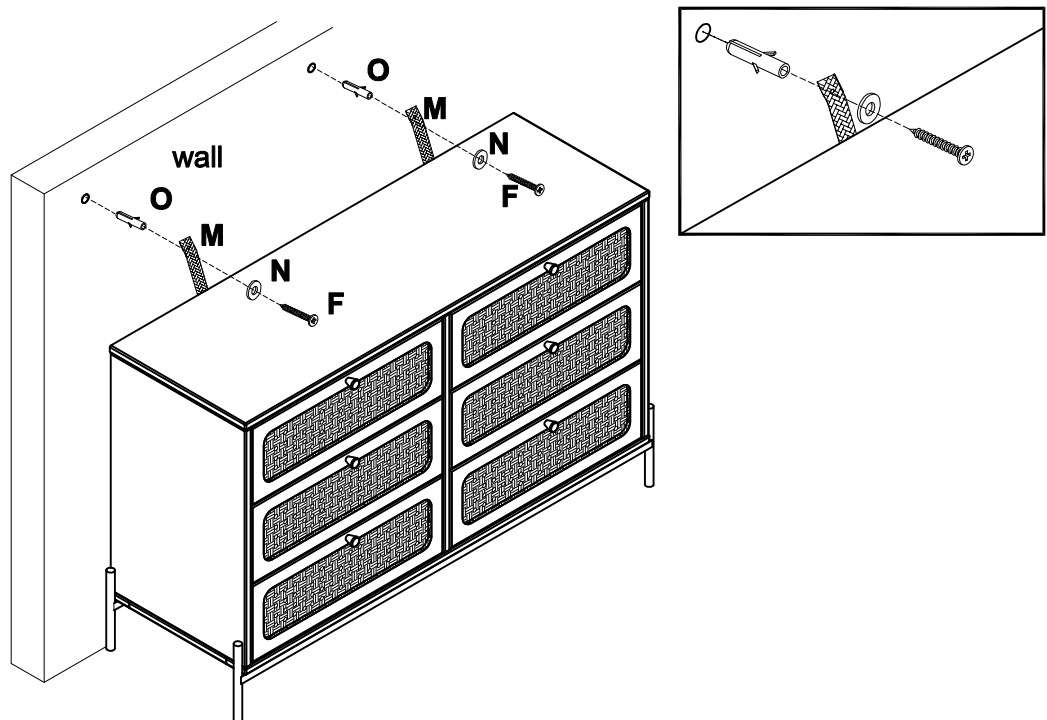
- Lay Drawer Front Panel (8) bottom-side facing up, screw in Cam-bolts (A) into the designated holes as shown.
- Attach Drawer Left Panel (9) & Right Panel (10).
Next, insert Cam-locks (B) on (9&10) and turn clockwise to lock onto cam-bolts on (8).
- Fit Drawer Bottom Panel (12) via groove on (8, 9&10).
- Fit Drawer Back Panel (11) between (9&10) and use Screws (G) to fasten (11) to (9&10).
- Affix Handle (H) to Drawer Front Panel (8) with Screw (I).

STEP 12



- To insert drawer, align drawer track on the drawer side panels (9&10) to the drawer runner on the side frames(2&3), and then push the drawer in gently.
- Insert Wood Dowels (C) into designated holes at the rear of each side panel to serve as stopper.
- Fasten Strap (M) to the back edge of Top Panel (1) with Screw (E) fitted with Washer (N).

STEP 13



- Select the location to place the unit.
- Drill a hole in the dry wall to fit Anchor (O) snugly and insert (O). Ensure that the anchor fits securely in the wall.
- Affix the Strap (M) to the anchor by using Screw (F) and Washer (N).

The assembly is complete.