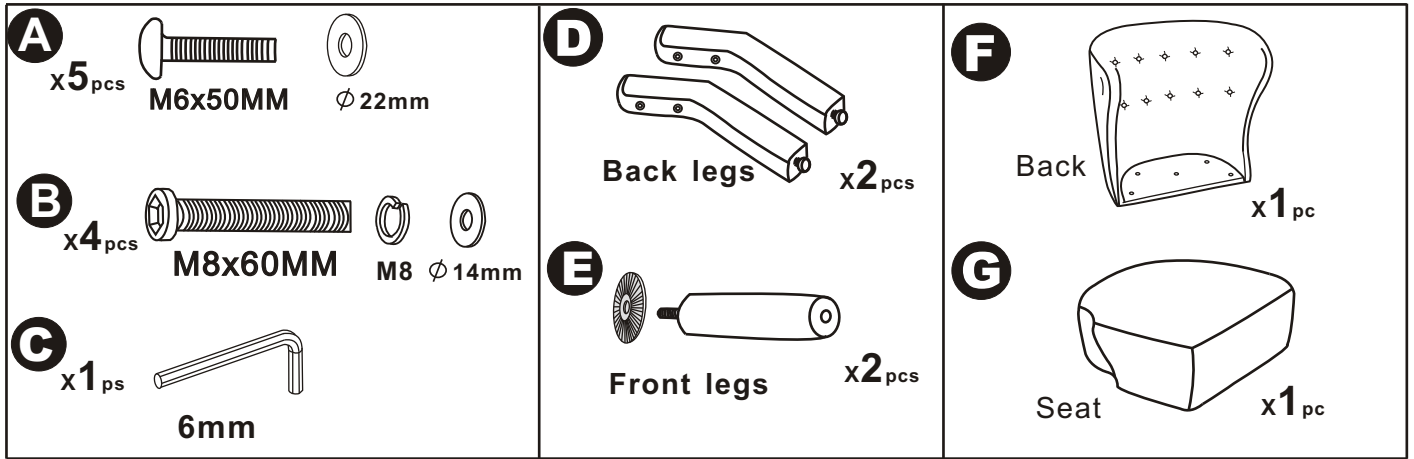


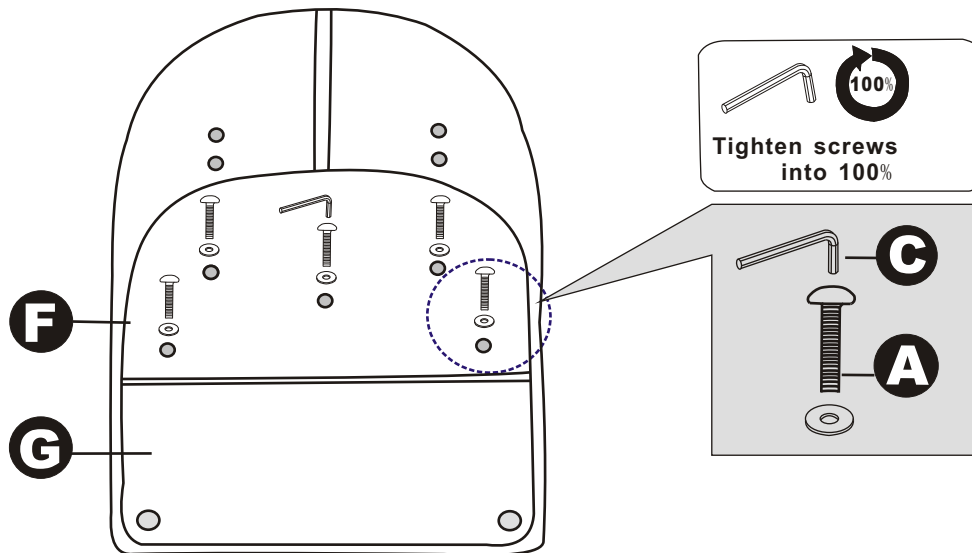
ASSEMBLY INSTRUCTION

Attention!

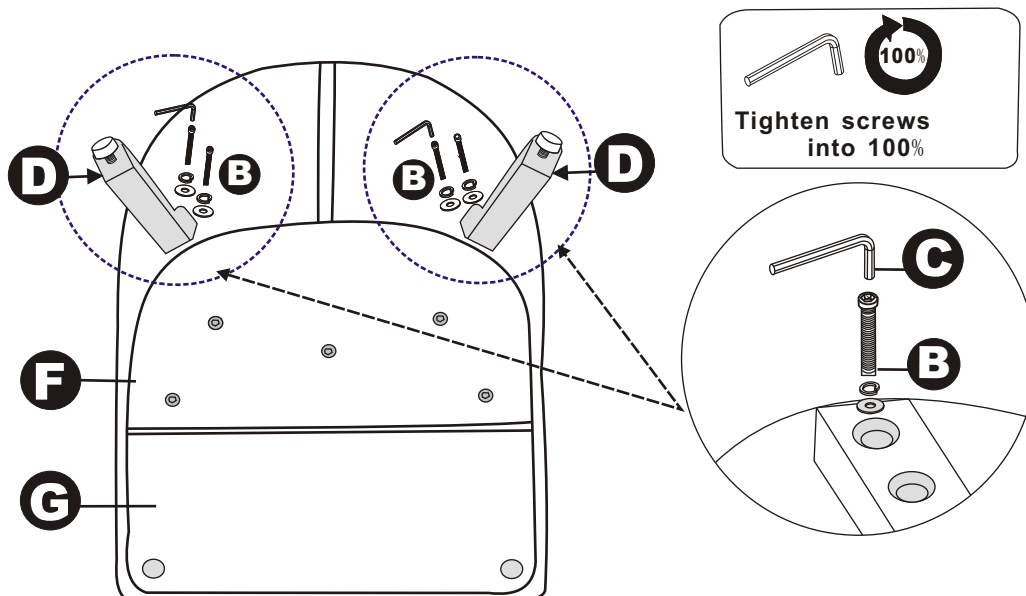
Before assembly, pls check all parts list and make sure no missing!



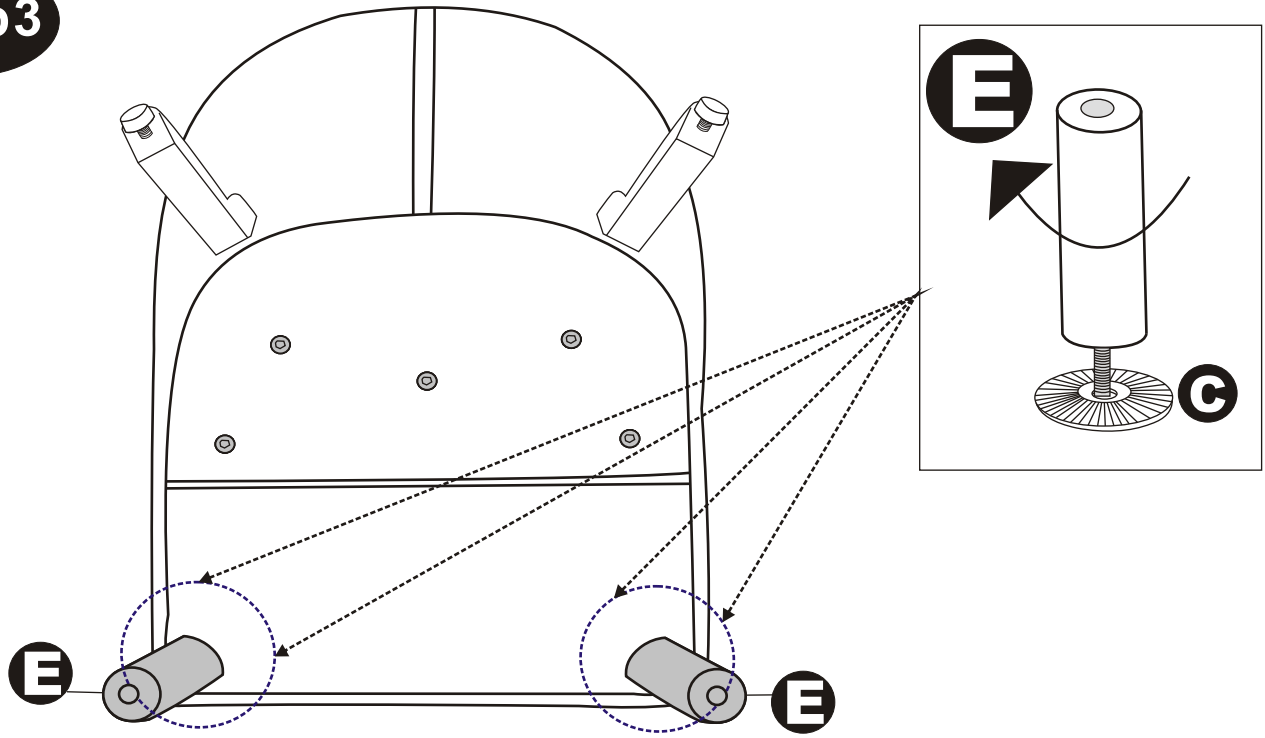
Step1



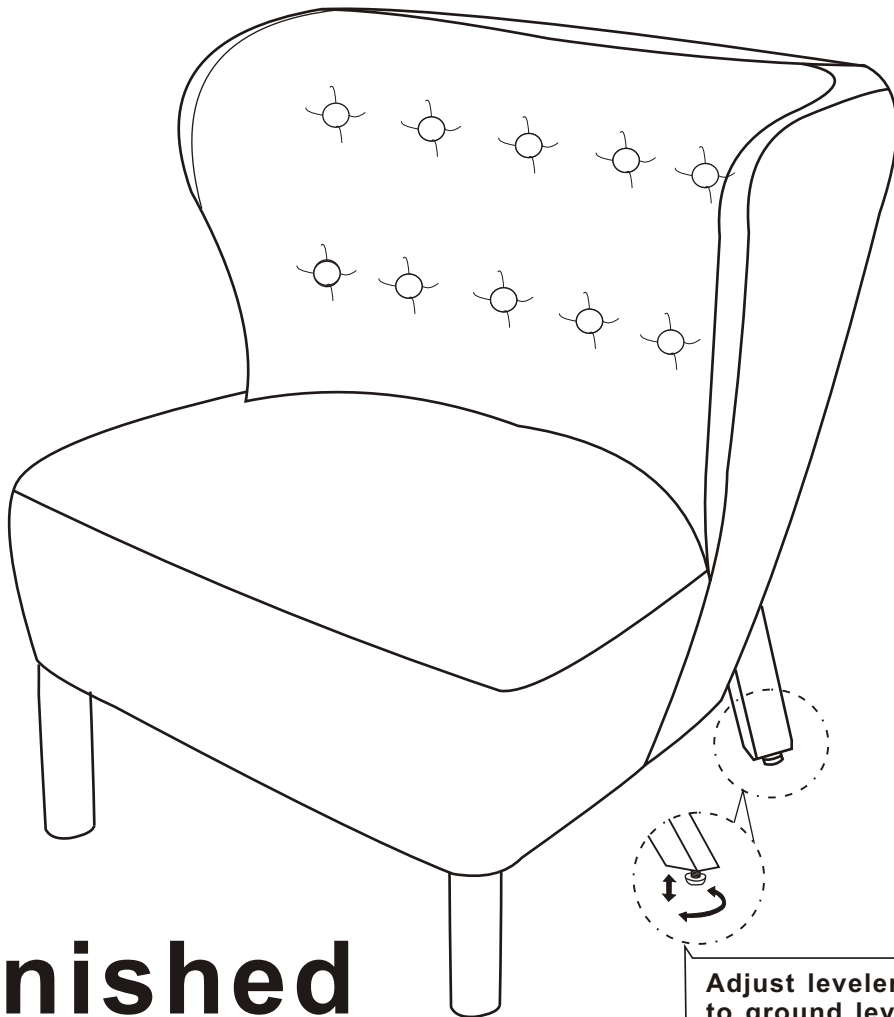
Step2



Step3



Step4



Finished

Adjust leveler according to ground level