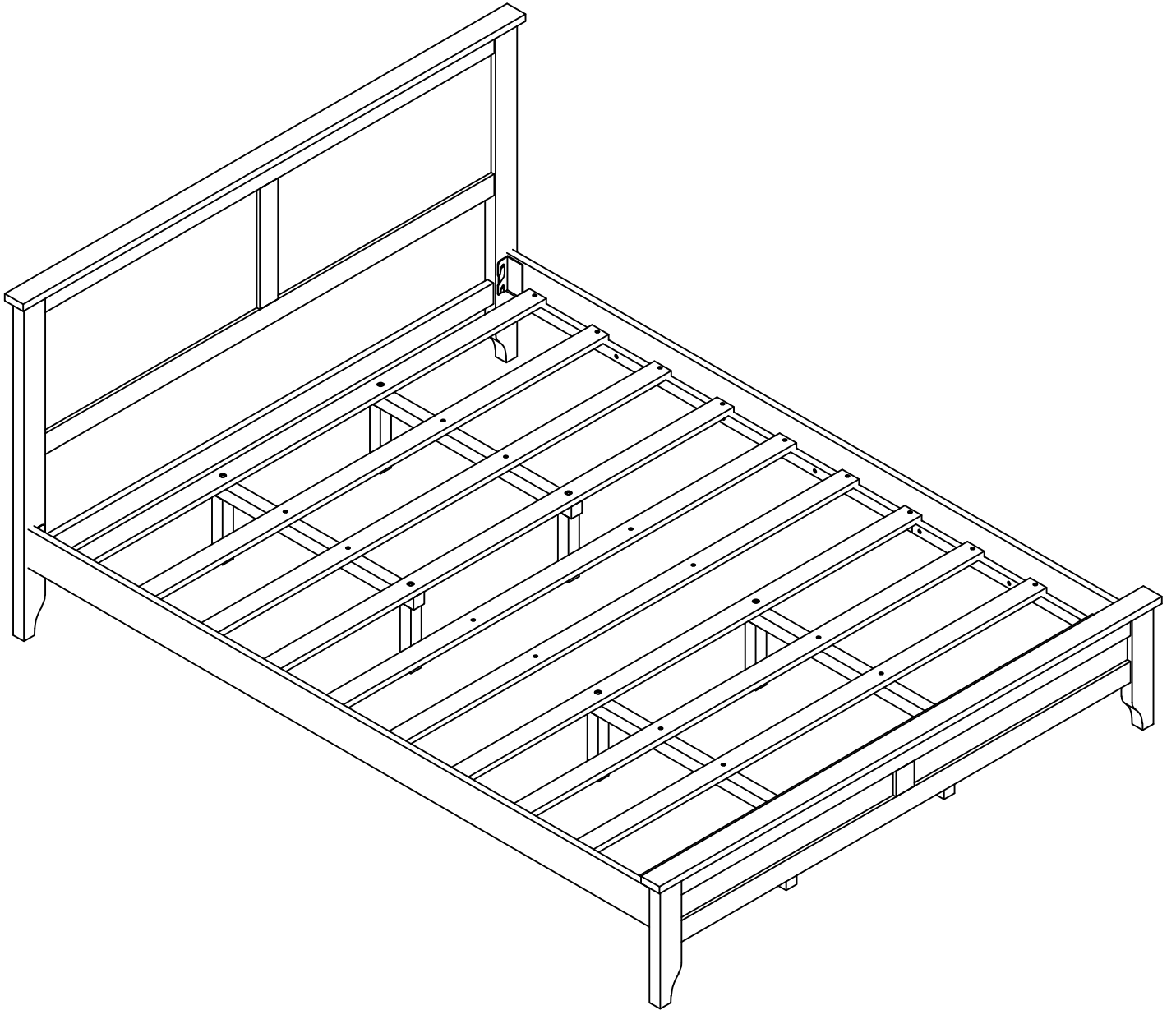
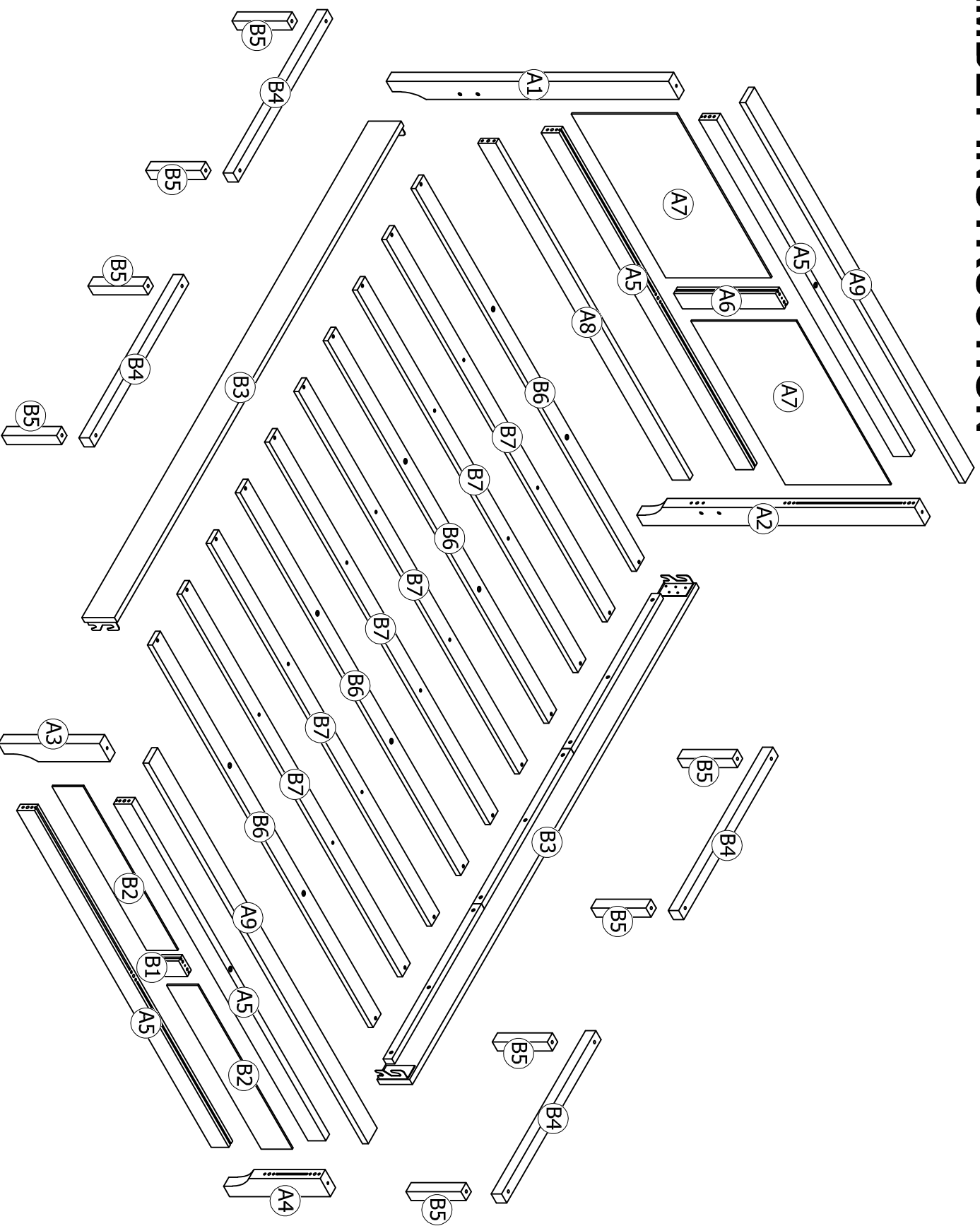


# ASSEMBLY INSTRUCTION



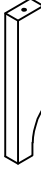

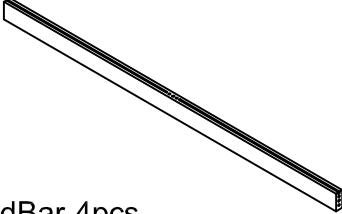

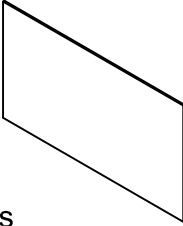
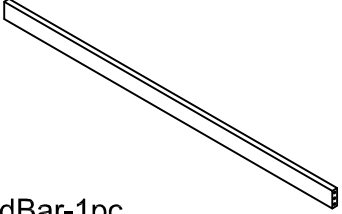
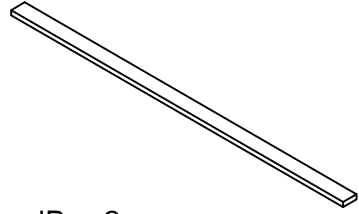
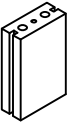
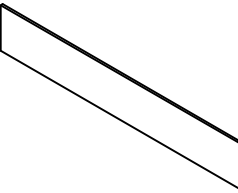
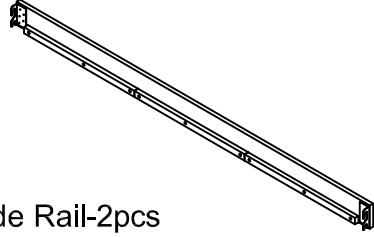
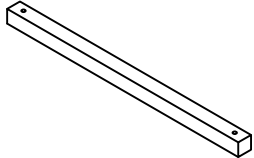
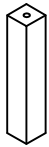
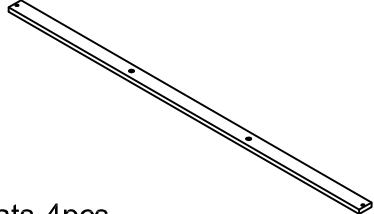
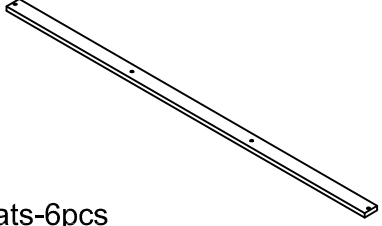
SKU CODE: (WF315101)



# ASSEMBLY INSTRUCTION

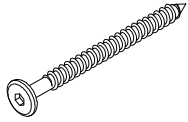


# Part List & Hardware List (WF315101)

<p><b>A1</b></p>  <p>Leg-1pc</p>	<p><b>A2</b></p>  <p>Leg-1pc</p>	<p><b>A3</b></p>  <p>Leg-1pc</p>
<p><b>A4</b></p>  <p>Leg-1pc</p>	<p><b>A5</b></p>  <p>WoodBar-4pcs</p>	<p><b>A6</b></p>  <p>WoodBar-1pc</p>
<p><b>A7</b></p>  <p>Panel-2pcs</p>	<p><b>A8</b></p>  <p>WoodBar-1pc</p>	<p><b>A9</b></p>  <p>WoodBar-2pcs</p>
<p><b>B1</b></p>  <p>WoodBar-1pc</p>	<p><b>B2</b></p>  <p>Panel-2pcs</p>	<p><b>B3</b></p>  <p>Side Rail-2pcs</p>
<p><b>B4</b></p>  <p>WoodBar-4pcs</p>	<p><b>B5</b></p>  <p>WoodBar-8pcs</p>	<p><b>B6</b></p>  <p>Slats-4pcs</p>
<p><b>B7</b></p>  <p>Slats-6pcs</p>		

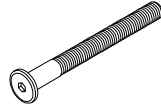
# Hardware List (WF315101)

1



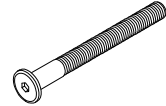
Screws 1/4" x80  
4pcs

2



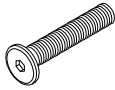
Ø1/4" x 50 mm  
Hex-Head bolts 10pcs

3



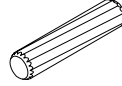
Ø1/4" x 70 mm  
Hex-Head bolts 8pcs

4



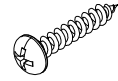
Ø1/4" x 20 mm  
Hex-Head bolts 8pcs

5



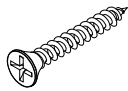
Ø8 x 30 mm  
Wood dowel 32pcs

6



M3.5 x 15 mm  
Wood Screws 32pcs

7



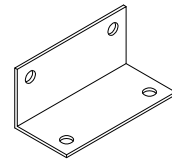
M4 x 30 mm  
Wood Screws 28pcs

8



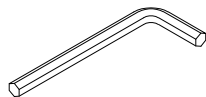
Curved washer 10pcs

9

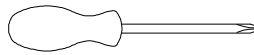


Angle Metal 8pcs

10



Allen Key 1pc



Assembly Tools Required (Not Included)

**STEP1:** Following below illustration.

5

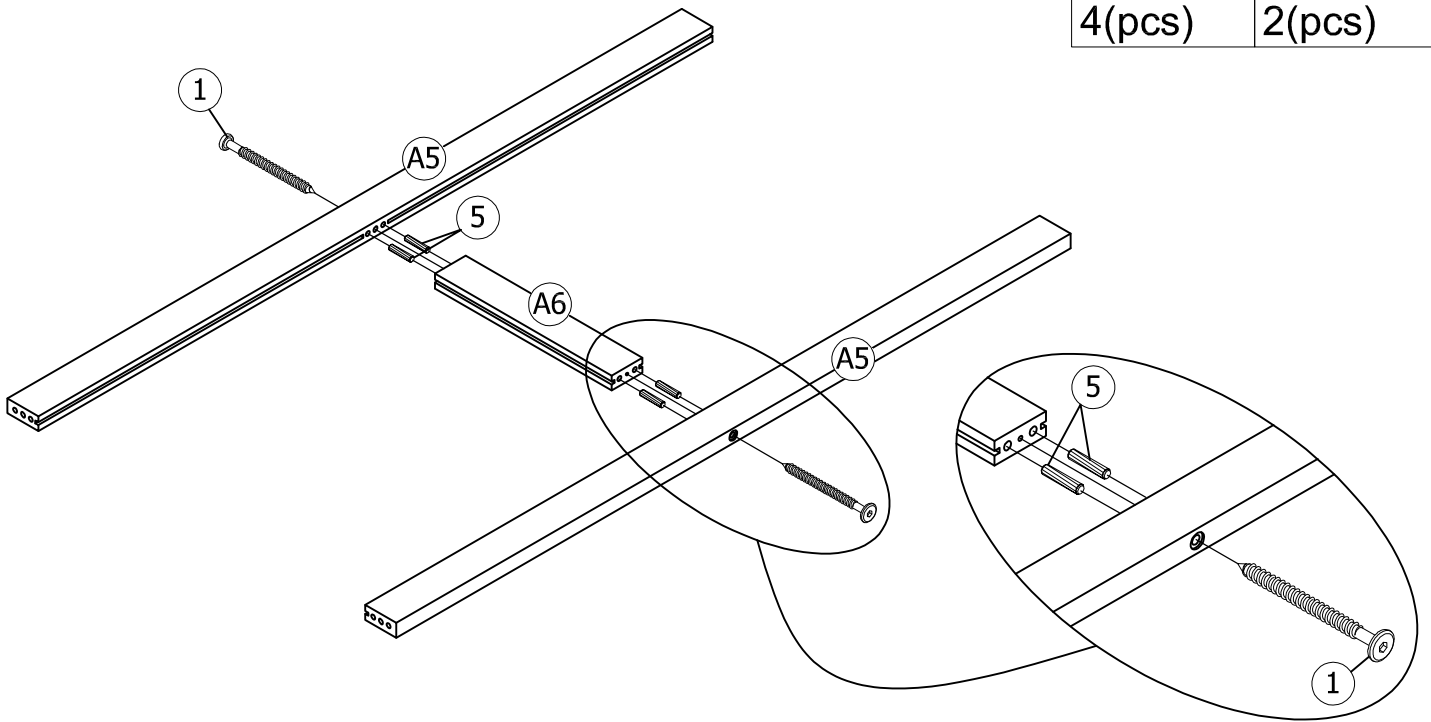


4(pcs)

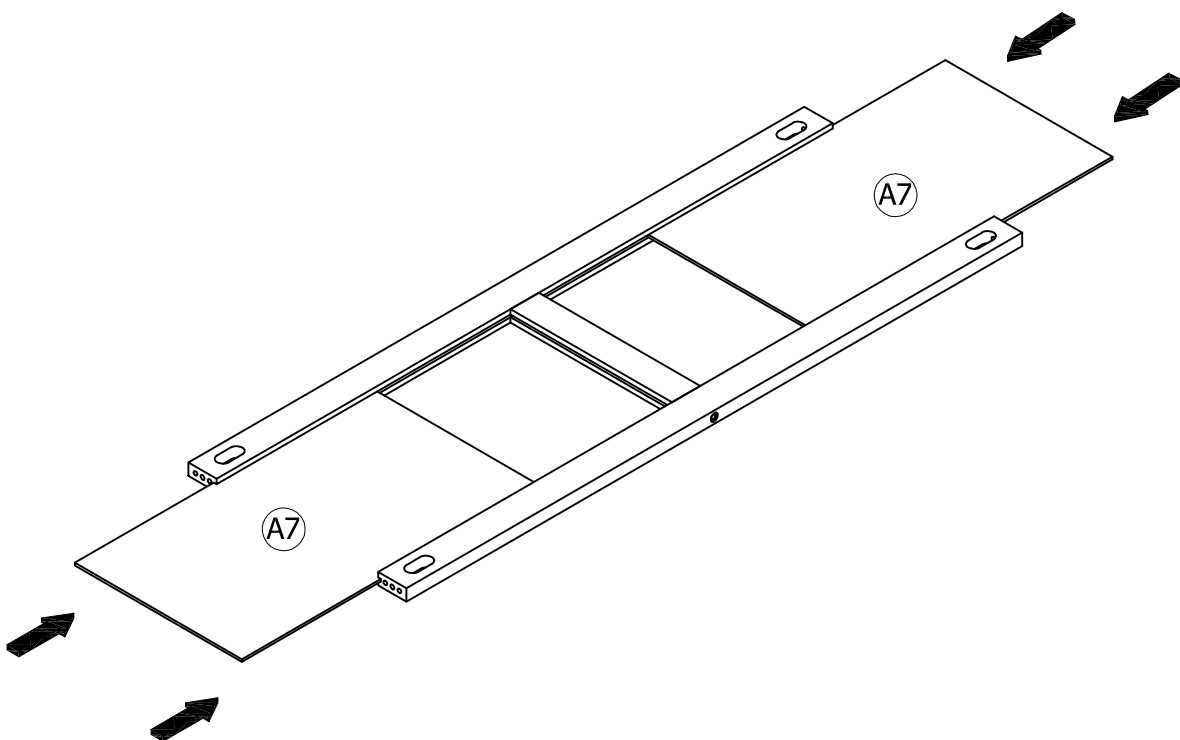
1



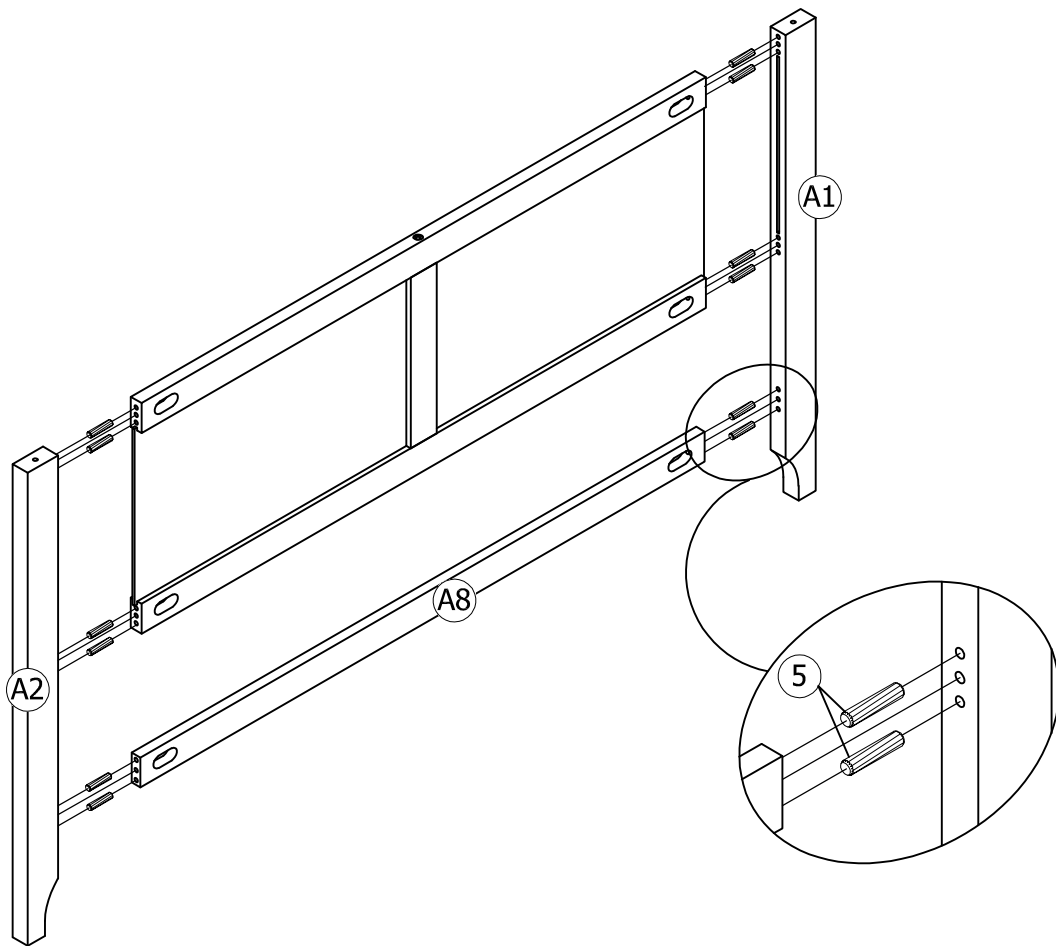
2(pcs)



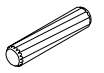
**STEP2:** Following below illustration.



**STEP3:** Following below illustration.

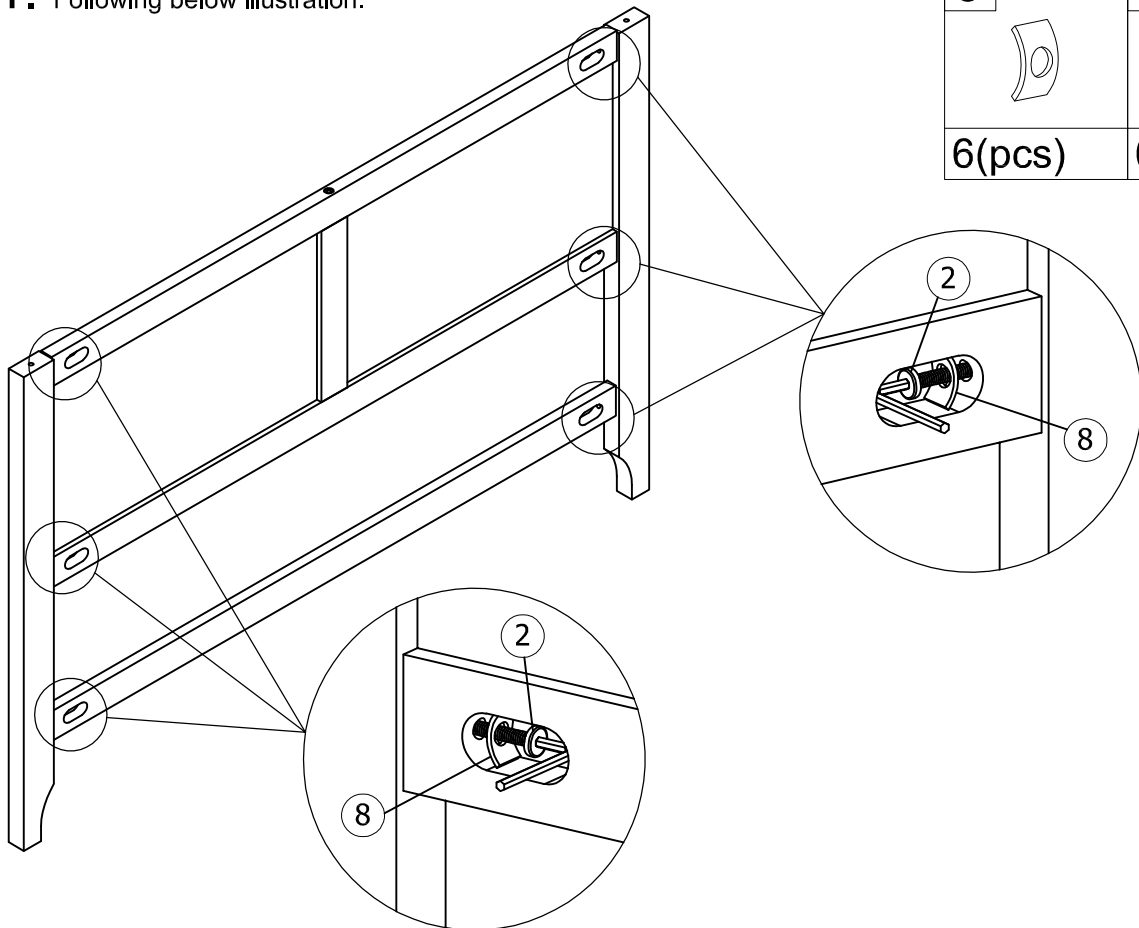


5



12(pcs)

**STEP4:** Following below illustration.



8



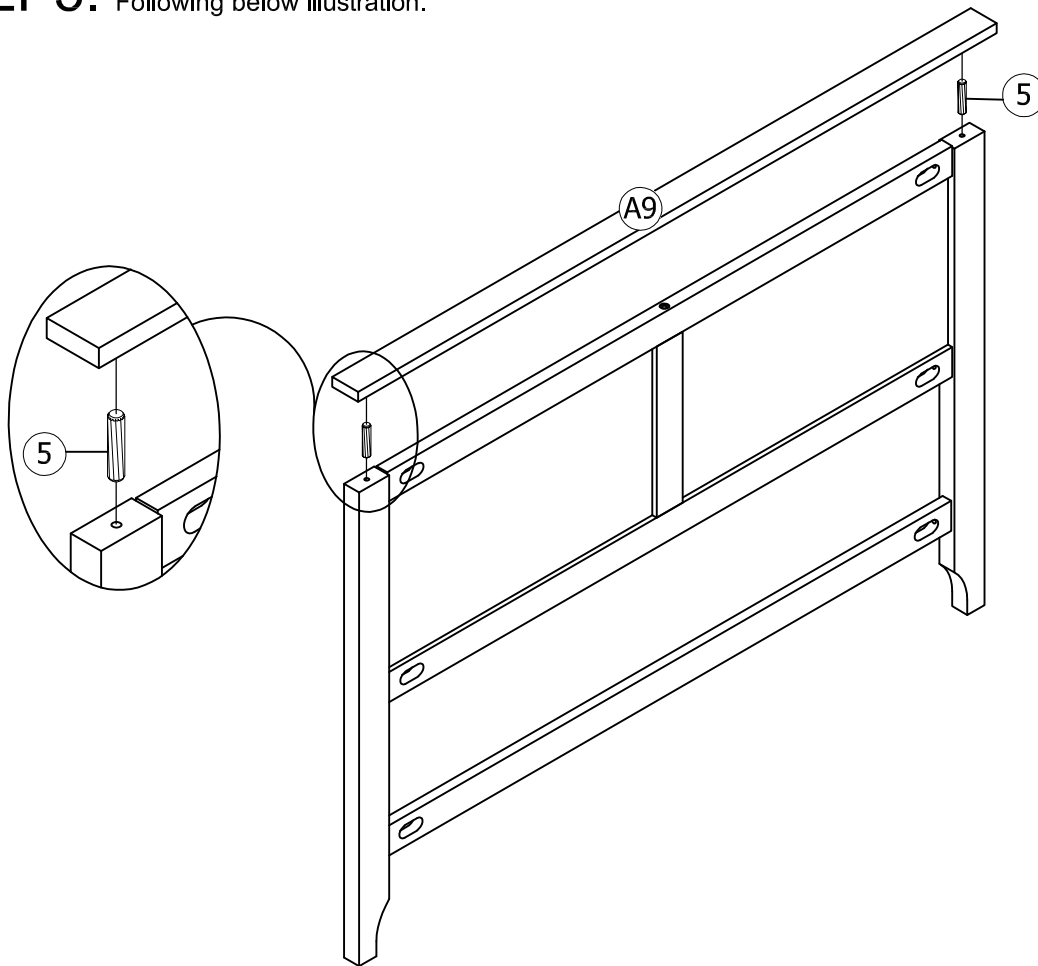
6(pcs)

2

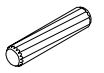


6(pcs)

**STEP5:** Following below illustration.

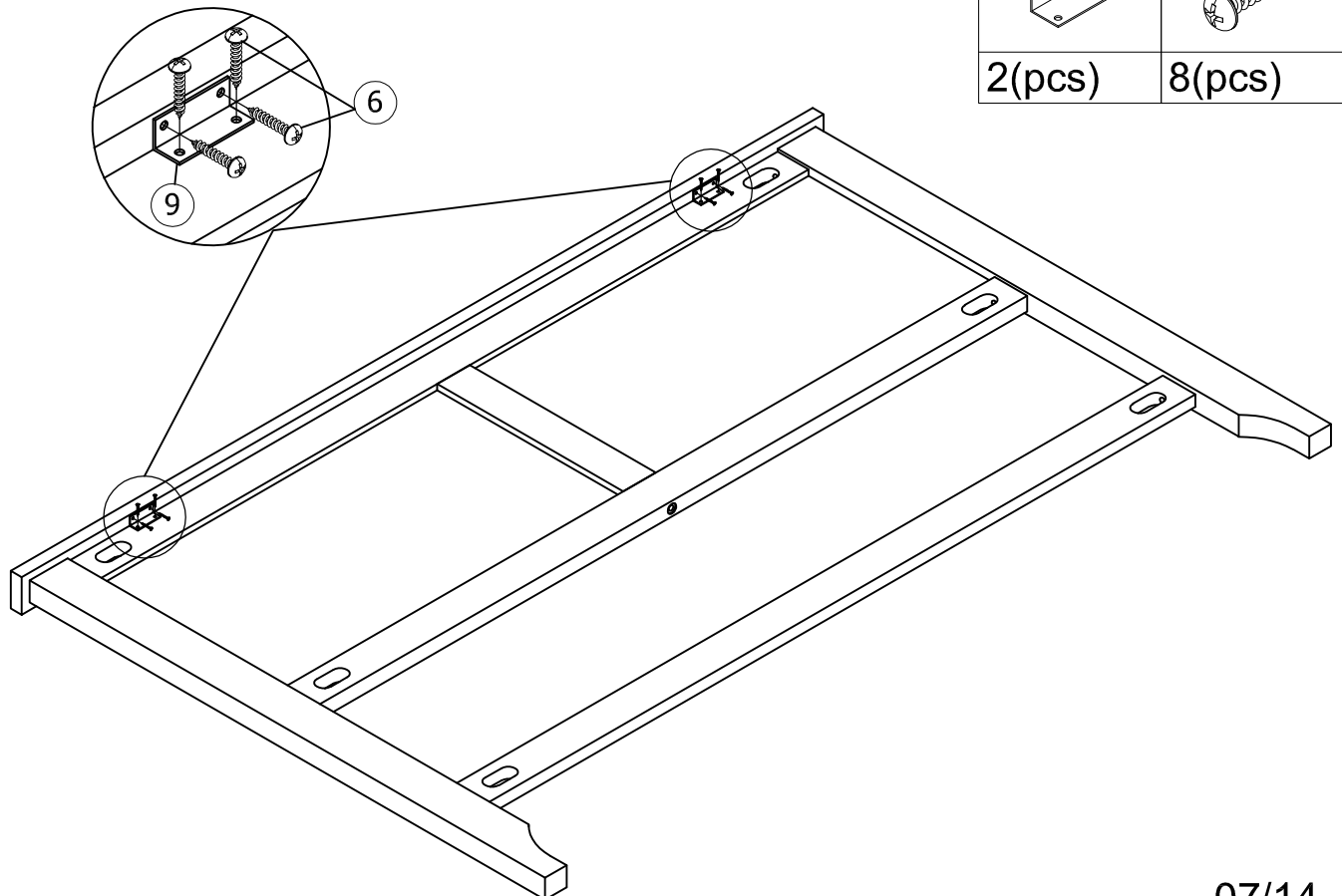


5



2(pcs)

**STEP6:** Following below illustration.

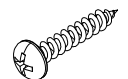


9



2(pcs)

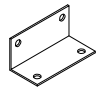
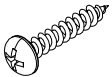
6

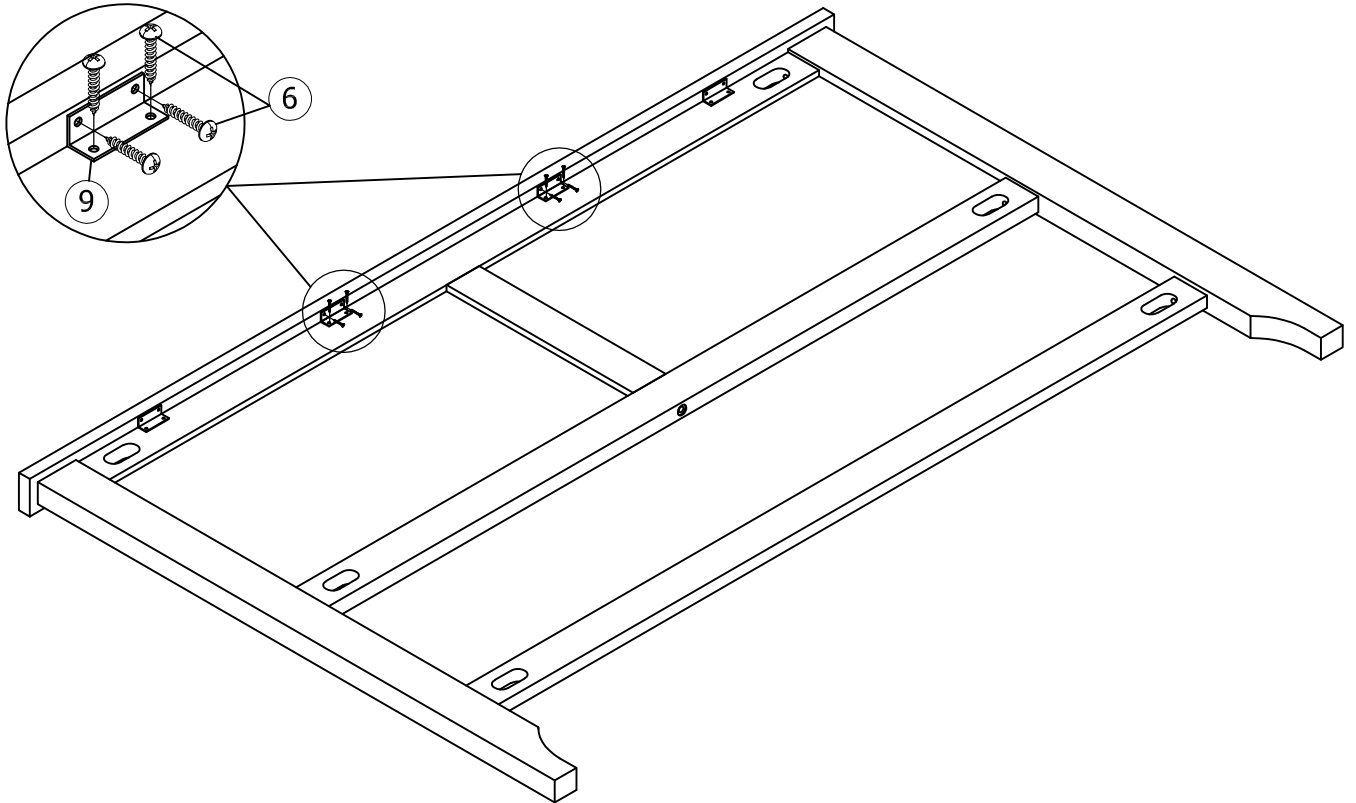


8(pcs)

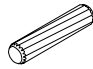

## STEP7: Following below illustration.

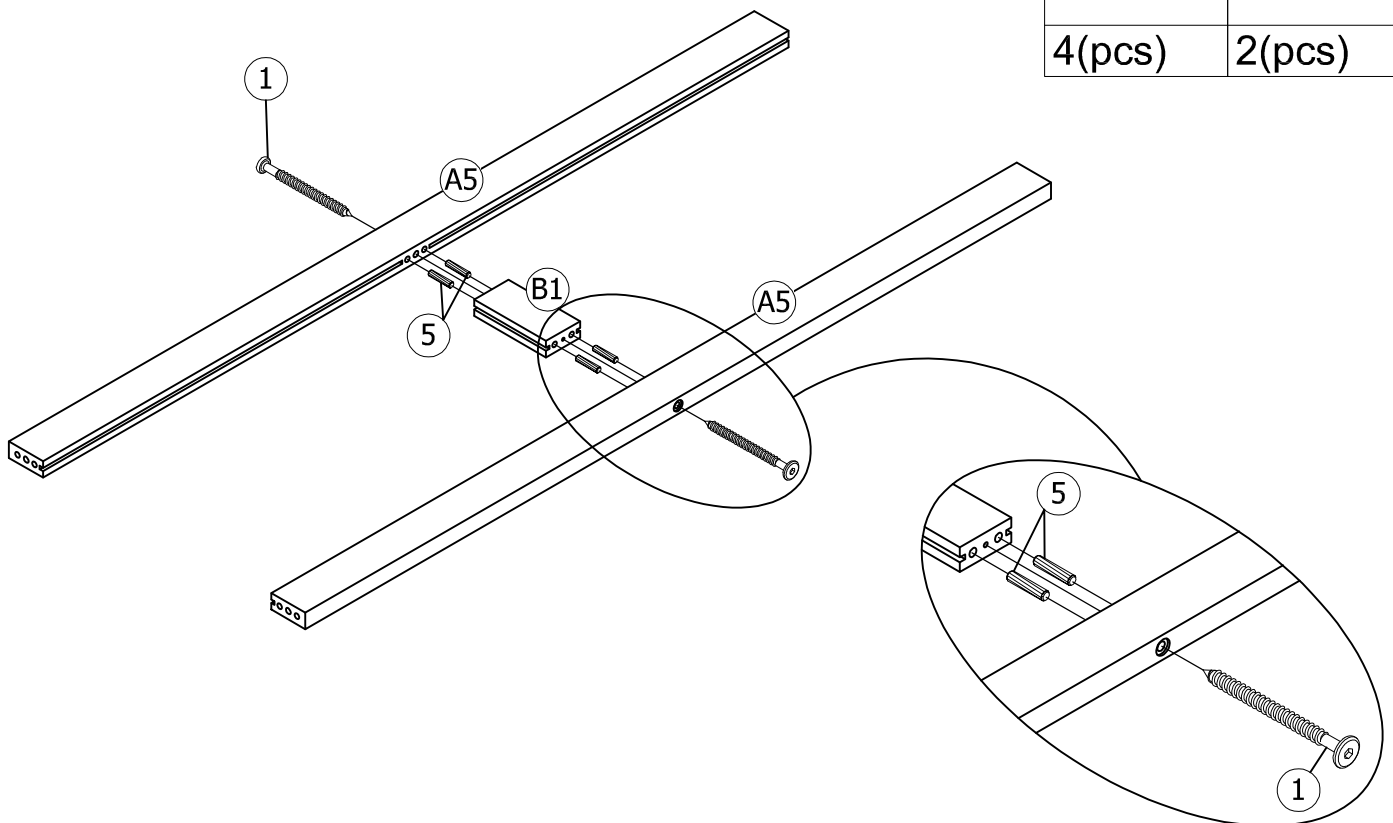
Please install at least two No. 9 parts in the footboard back, one on the left and one on the right. If you want more stability, you can install all four No. 9 parts

9	6
	
2(pcs)	8(pcs)



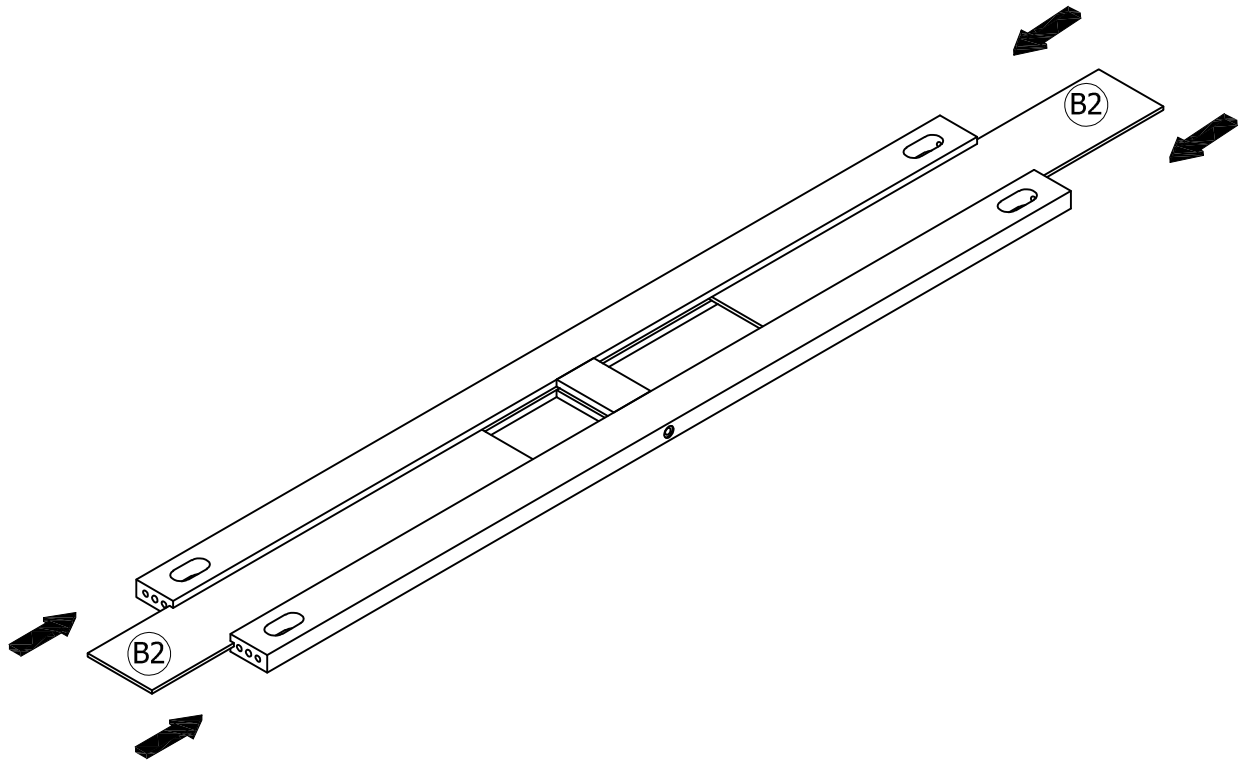
## STEP8: Following below illustration.

5	1
	
4(pcs)	2(pcs)



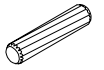


**STEP9:** Following below illustration.

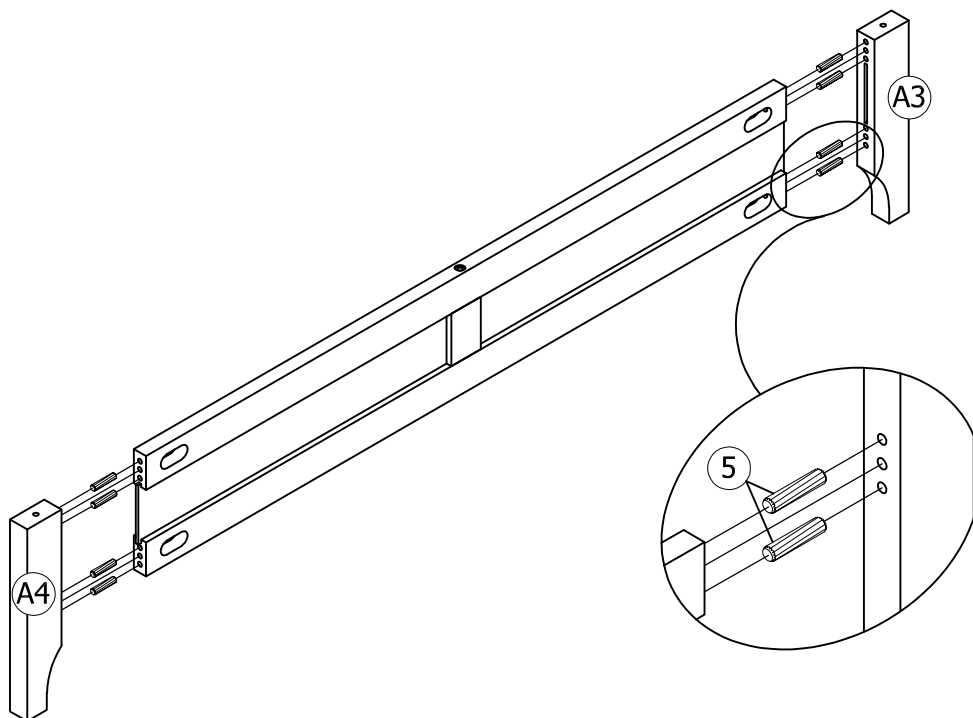


**STEP10:** Following below illustration.



5

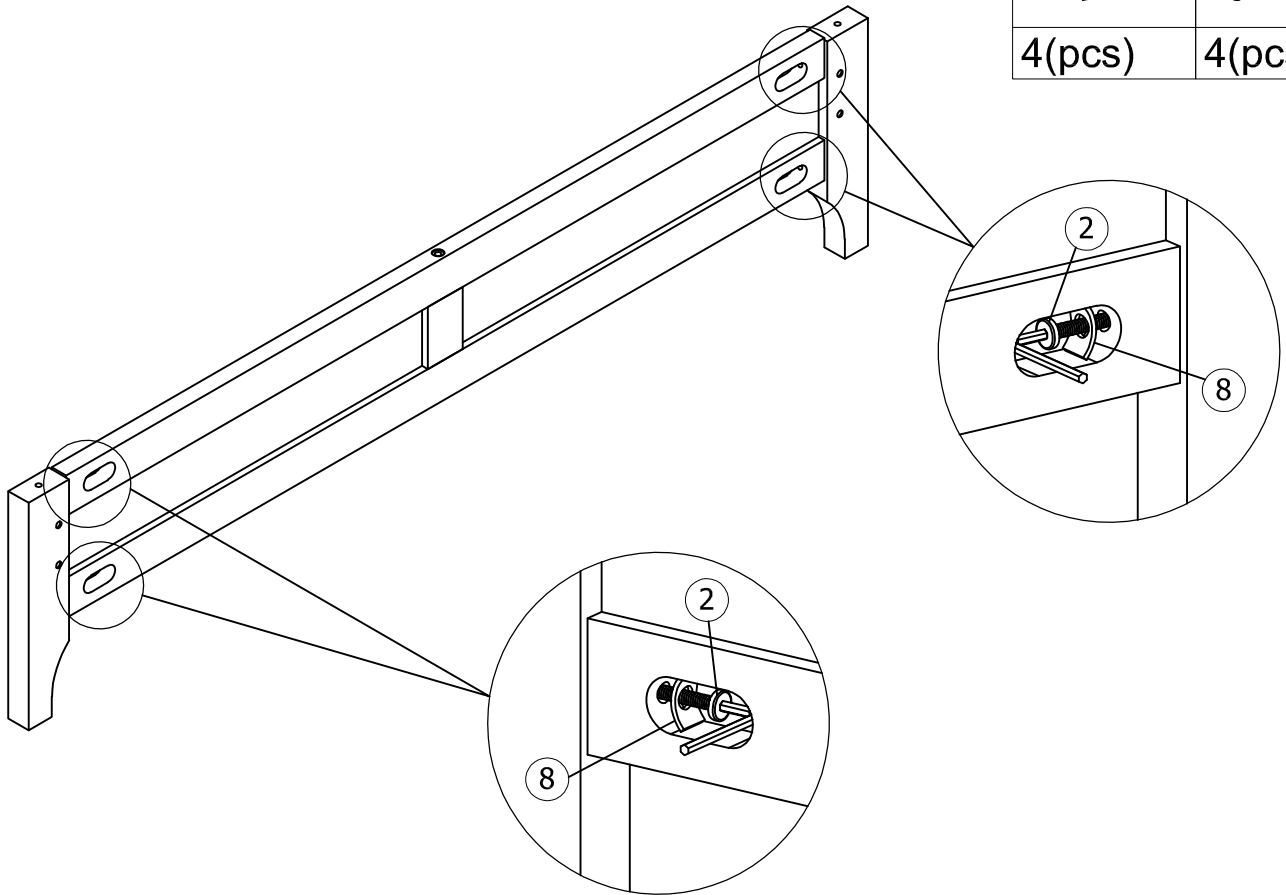


8(pcs)

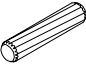


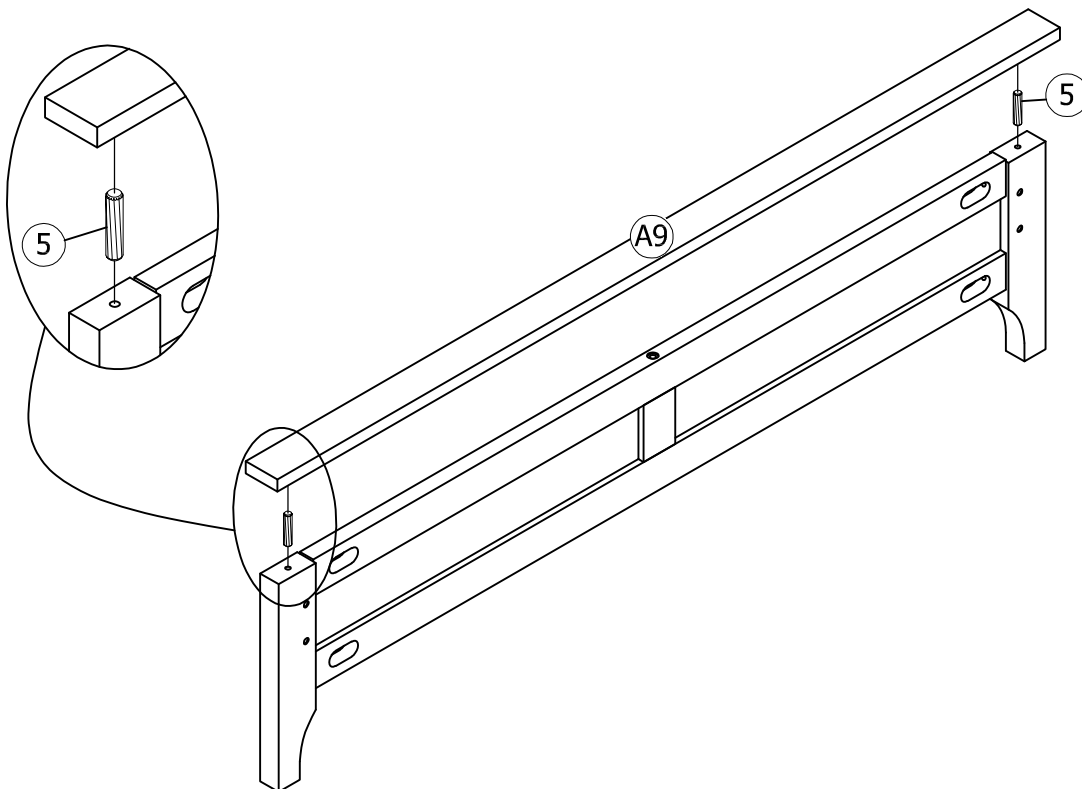
**STEP11:** Following below illustration.

8	2
	
4(pcs)	4(pcs)

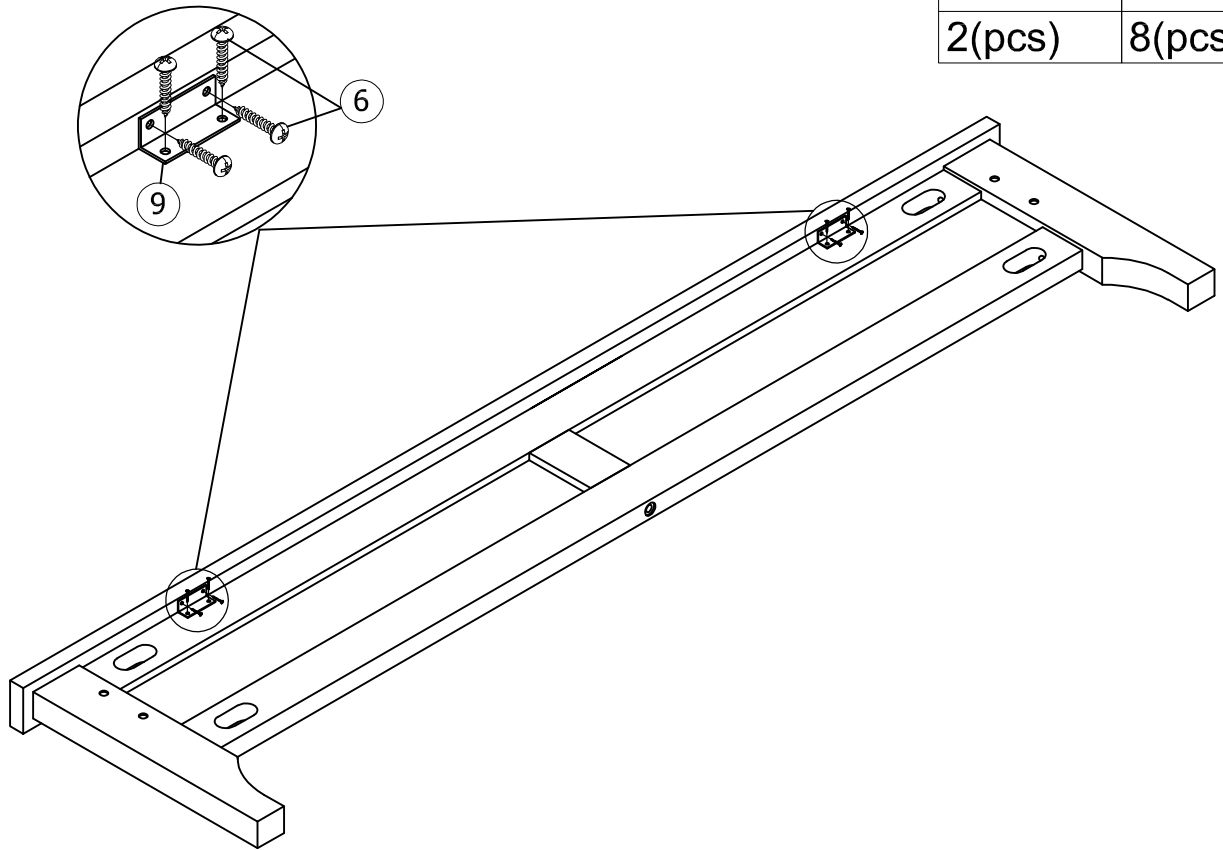


**STEP12:** Following below illustration.

5

2(pcs)



## STEP13: Following below illustration.

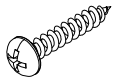


9



2(pcs)

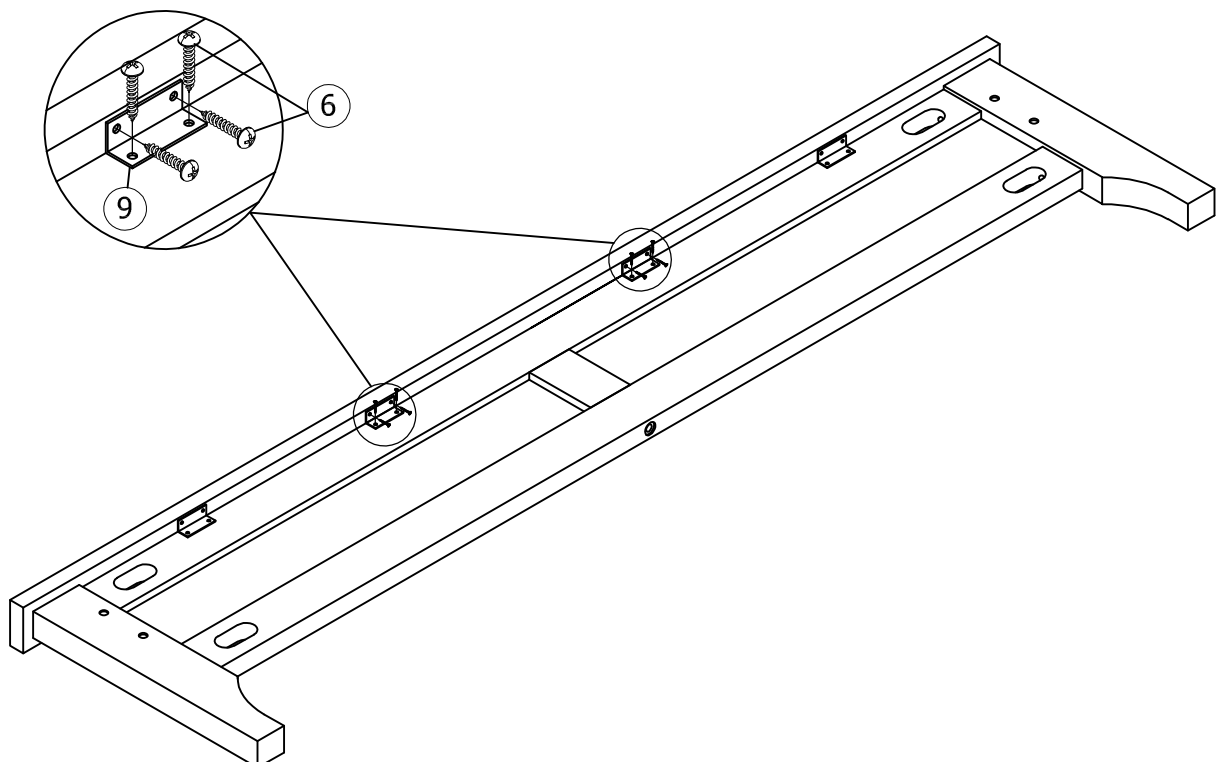
6



8(pcs)

## STEP14: Following below illustration.

Please install at least two No. 9 parts in the footboard back, one on the left and one on the right. If you want more stability, you can install all four No. 9 parts

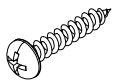


9



2(pcs)

6



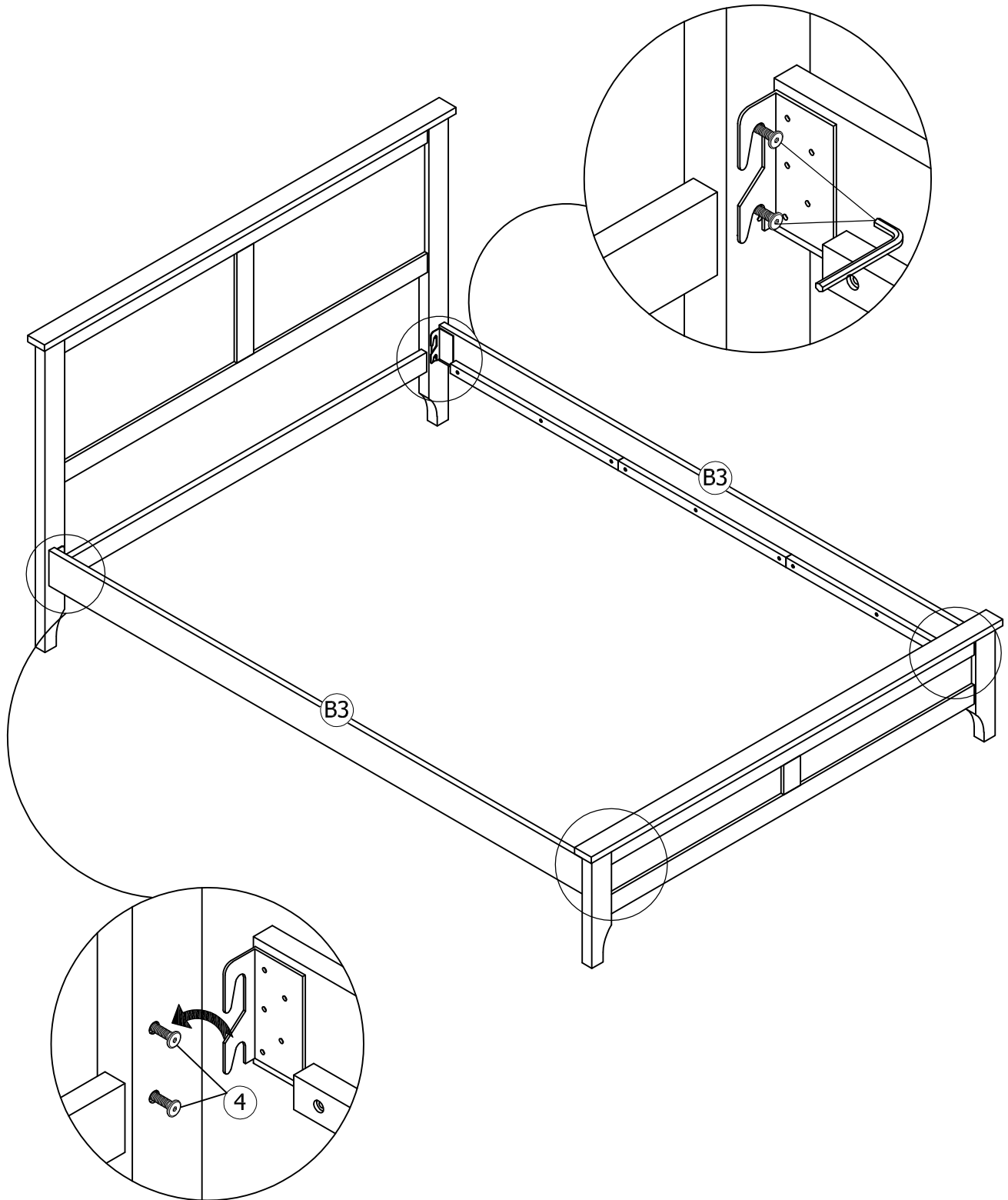
8(pcs)

**STEP15:** Following below illustration.

4




8(pcs)

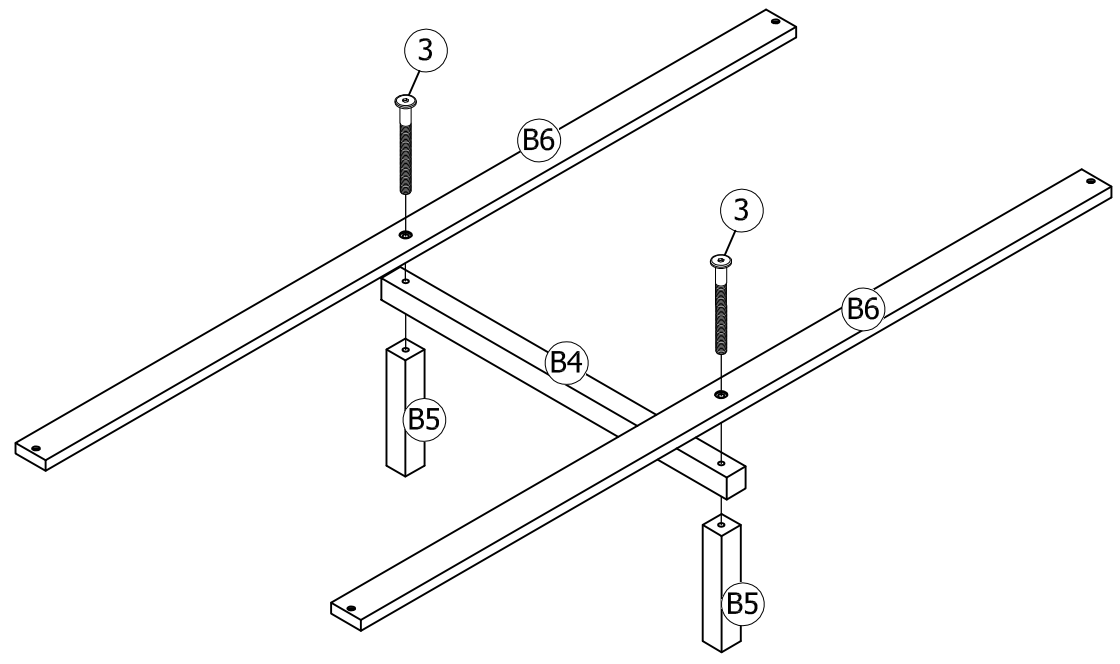


**STEP16x4:** Following below illustration.

3

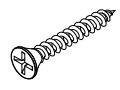


8(pcs)

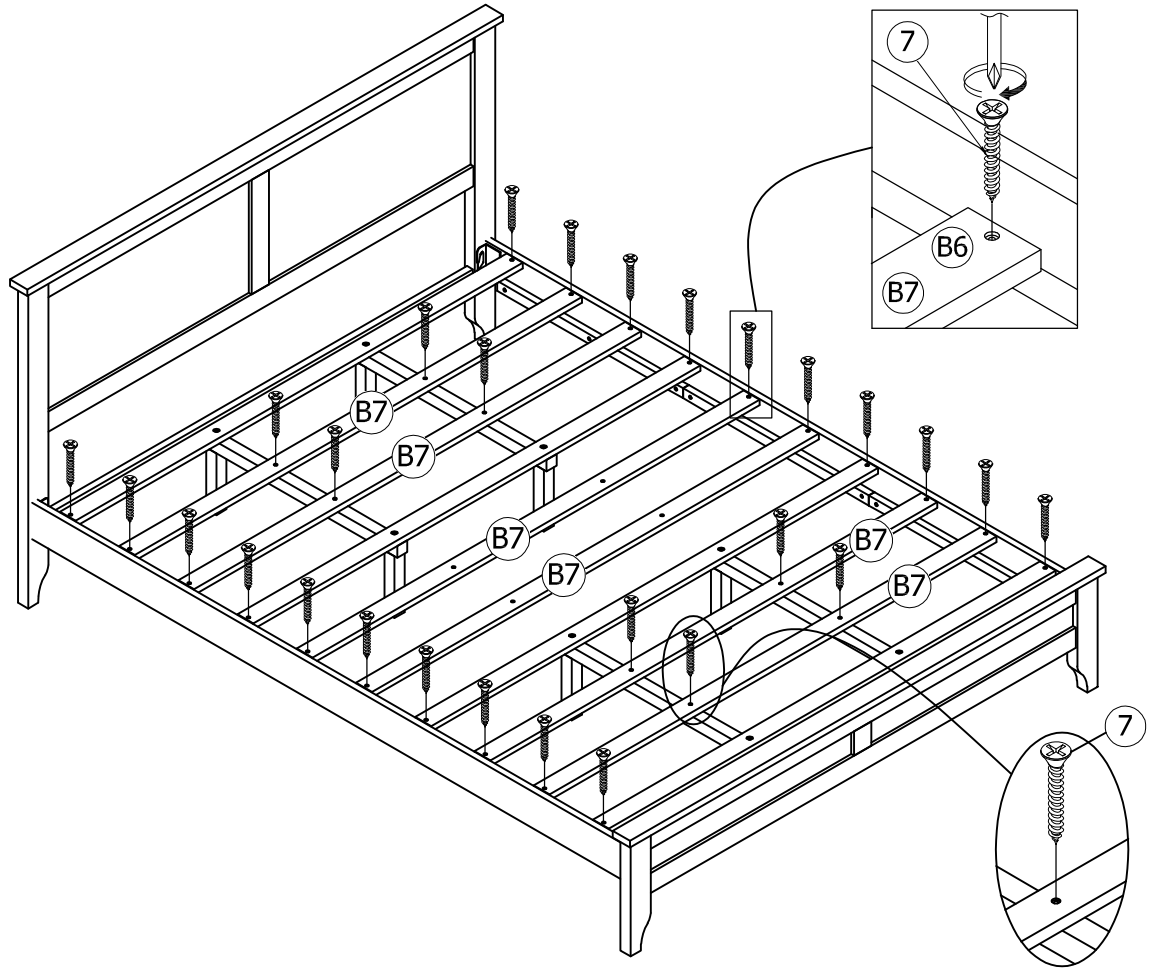


**STEP17:** Following below illustration.

7



28(pcs)



FINISH

