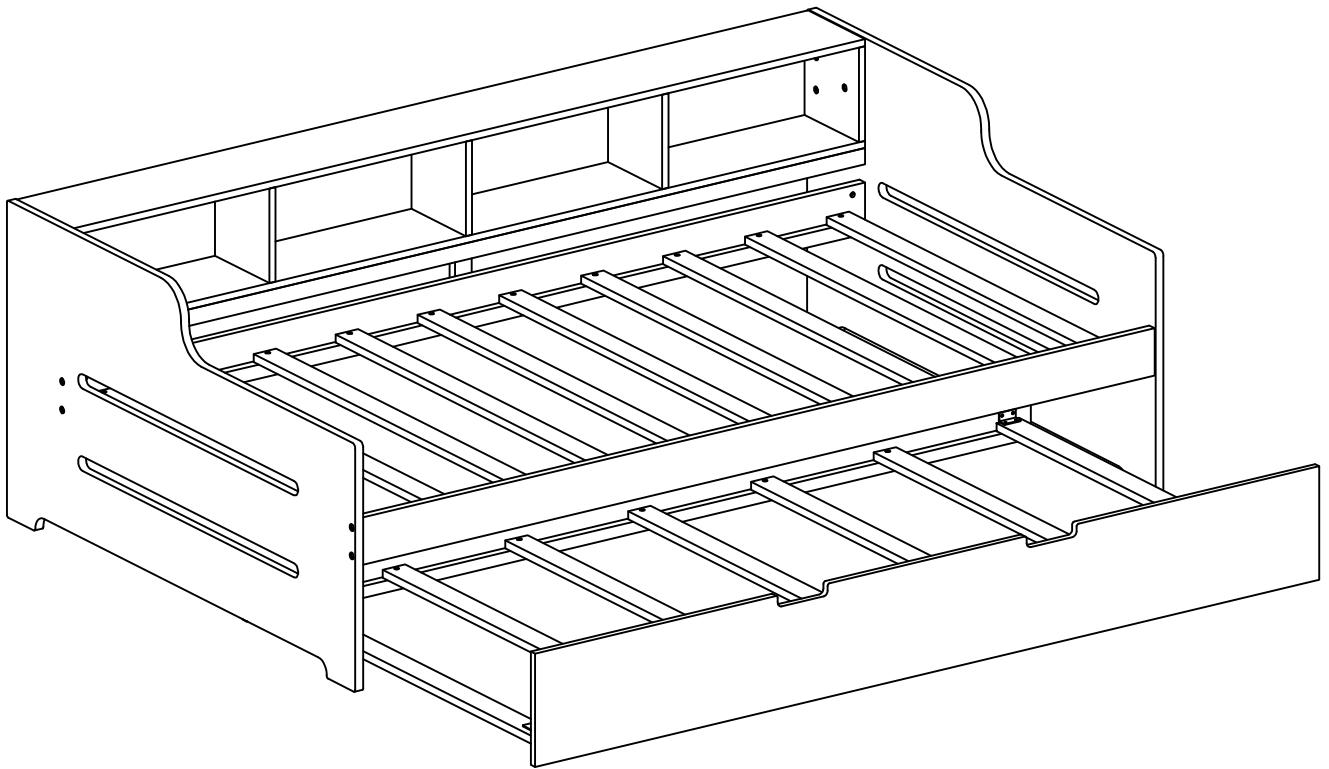
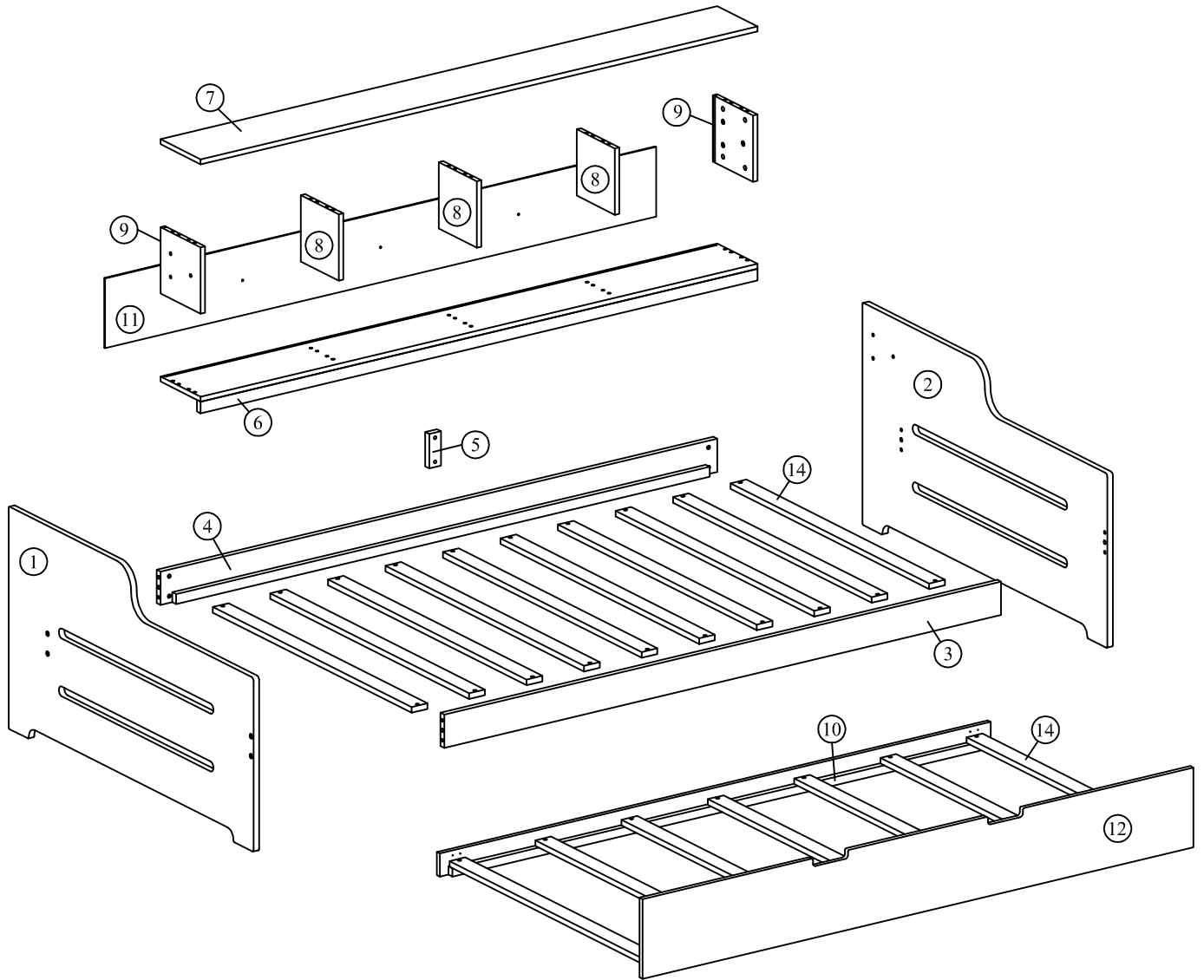


ASSEMBLY INSTRUCTION

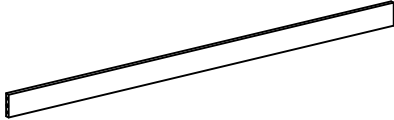
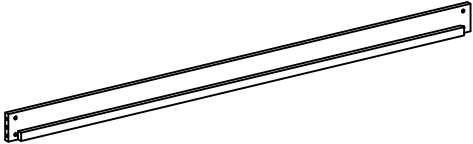
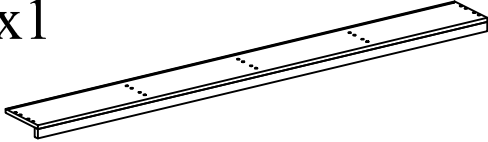
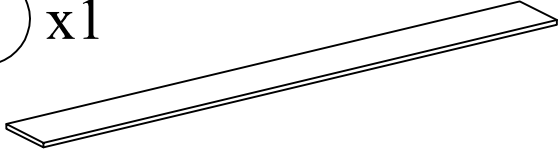
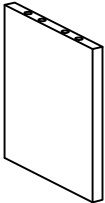
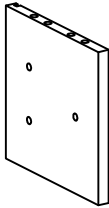
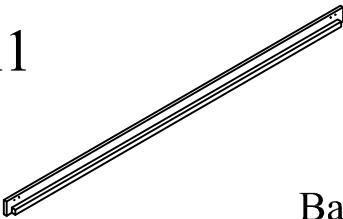
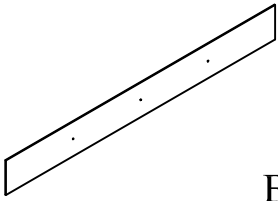
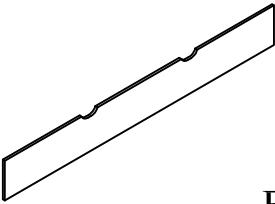
SKU CODE: WF316934/WF316935



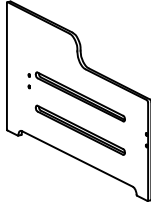
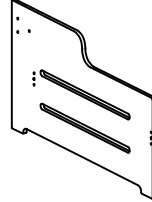

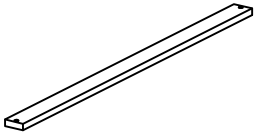
Detail view




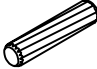
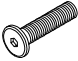






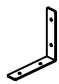
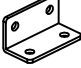
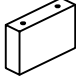



Part List (WF316934)

<p>3 x1</p>  <p>Front - Side rail</p>	<p>4 x1</p>  <p>Back - Side rail</p>
<p>6 x1</p>  <p>Bottom Shelf</p>	<p>7 x1</p>  <p>Top Shelf</p>
<p>8 x3</p>  <p>Mid Shelf</p>	<p>9 x2</p>  <p>Side Shelf</p>
<p>10 x1</p>  <p>Back Trundle</p>	<p>11 x1</p>  <p>Back Shelf</p>
<p>12 x1</p>  <p>Front Trundle</p>	

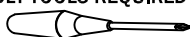
Part List (WF316935)

<p>① x1</p>  <p>Headboard</p>	<p>② x1</p>  <p>Footboard</p>
<p>⑤ x1</p>  <p>Support Side rail</p>	<p>⑭ x17</p>  <p>Slats</p>




Hardware List (WF316935)

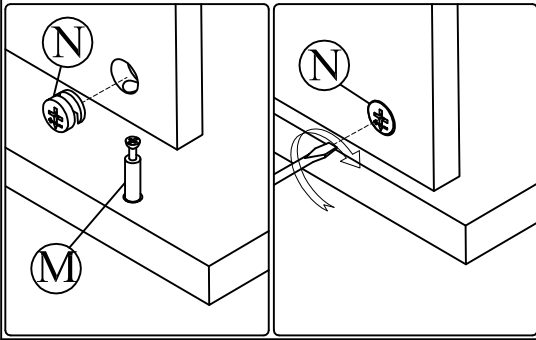
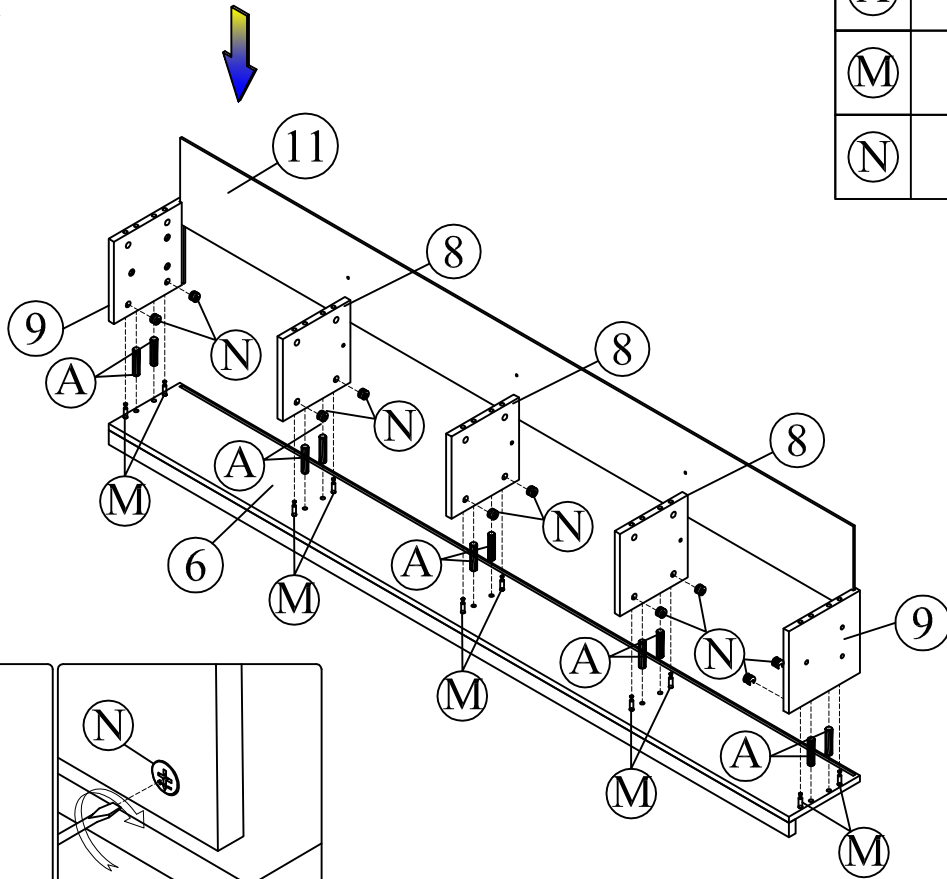
No.	OUTLOOK	DESC	QTY
(A)		Dowel Ø8*30mm	20
(B)		Dowel Ø10*40mm	4
(C)		Bolts 1/4"*25mm	8
(D)		Bolts 1/4"*60mm	8
(E)		Cross dowel 1/4"*13mm	8
(F)		Screws #6*12mm	32
(G)		Screws #8*30mm	38
(H)		Round head screw #8*40mm	3
(I)		Wheels	4
(J)		Base L long	2
(K)		Base L small	2
(L)		Wood stops	2
(M)		Connecting Bolt	20
(N)		Connector Housing	20
(O)		Allen key 60*22*4mm	1

ASSEMBLY TOOLS REQUIRED (NOT INCLUDED)

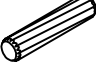





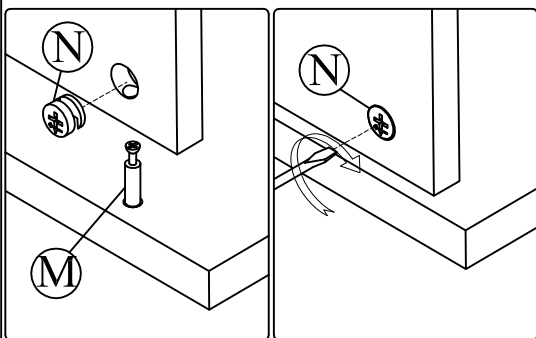
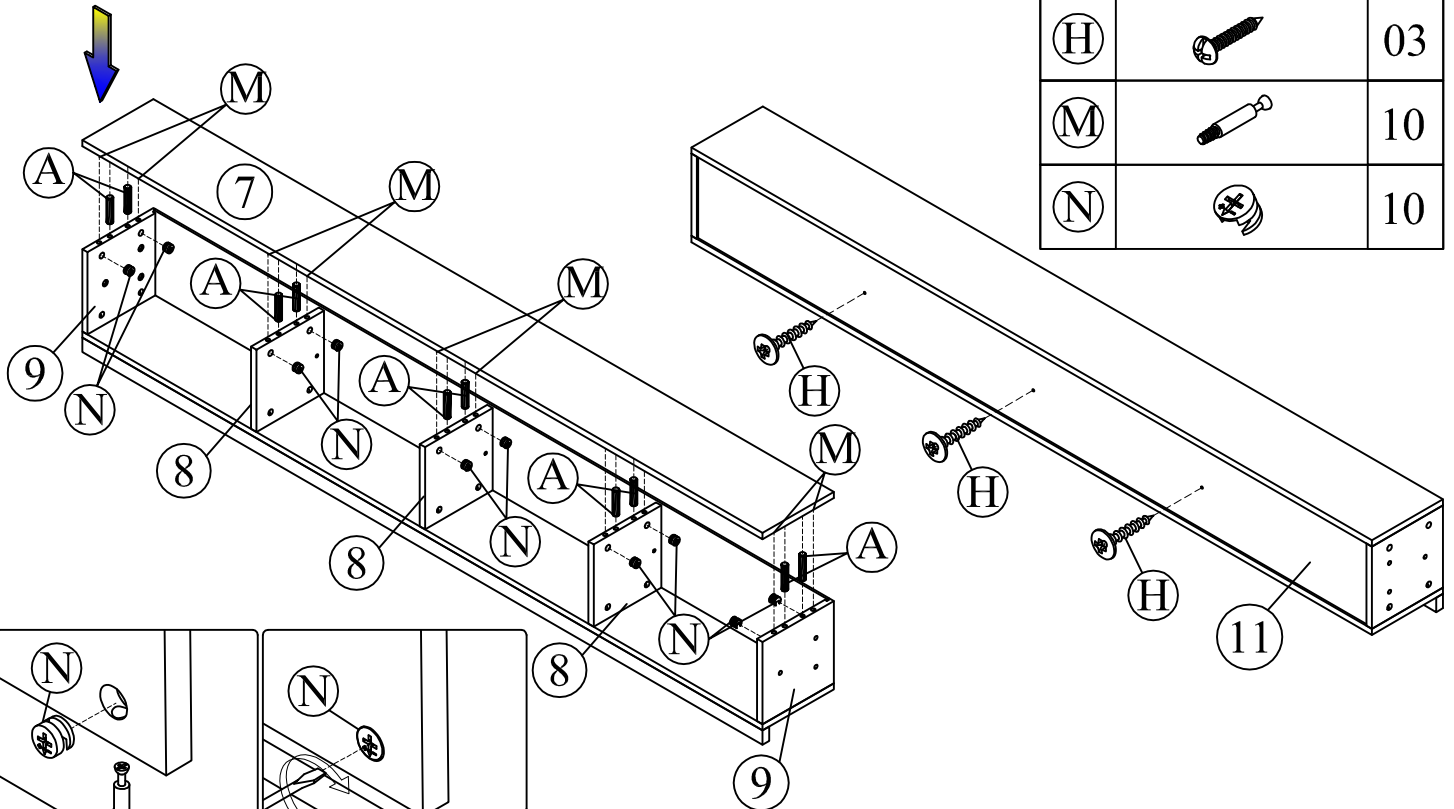
STEP 1:

(A)		10
(M)		10
(N)		10

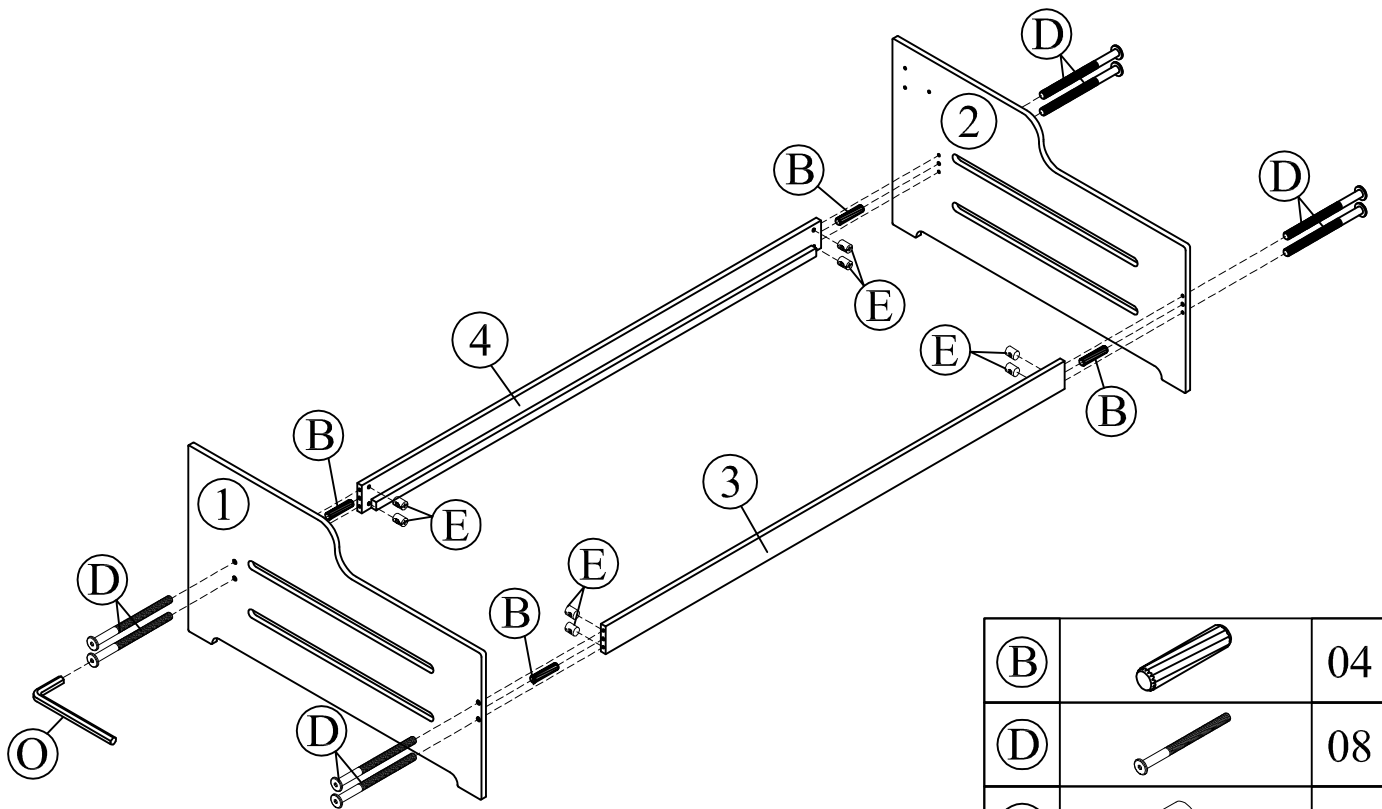






STEP 2:

(A)		10
(H)		03
(M)		10
(N)		10

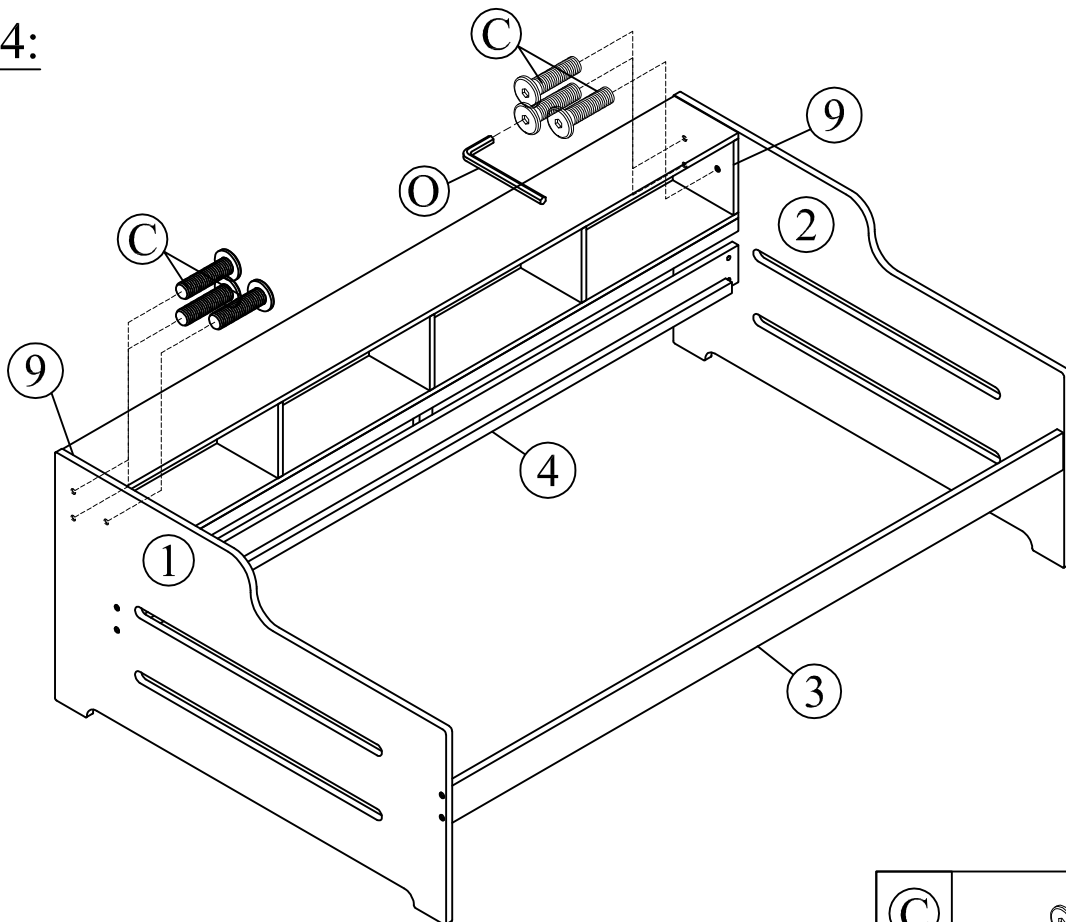


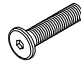

STEP 3:



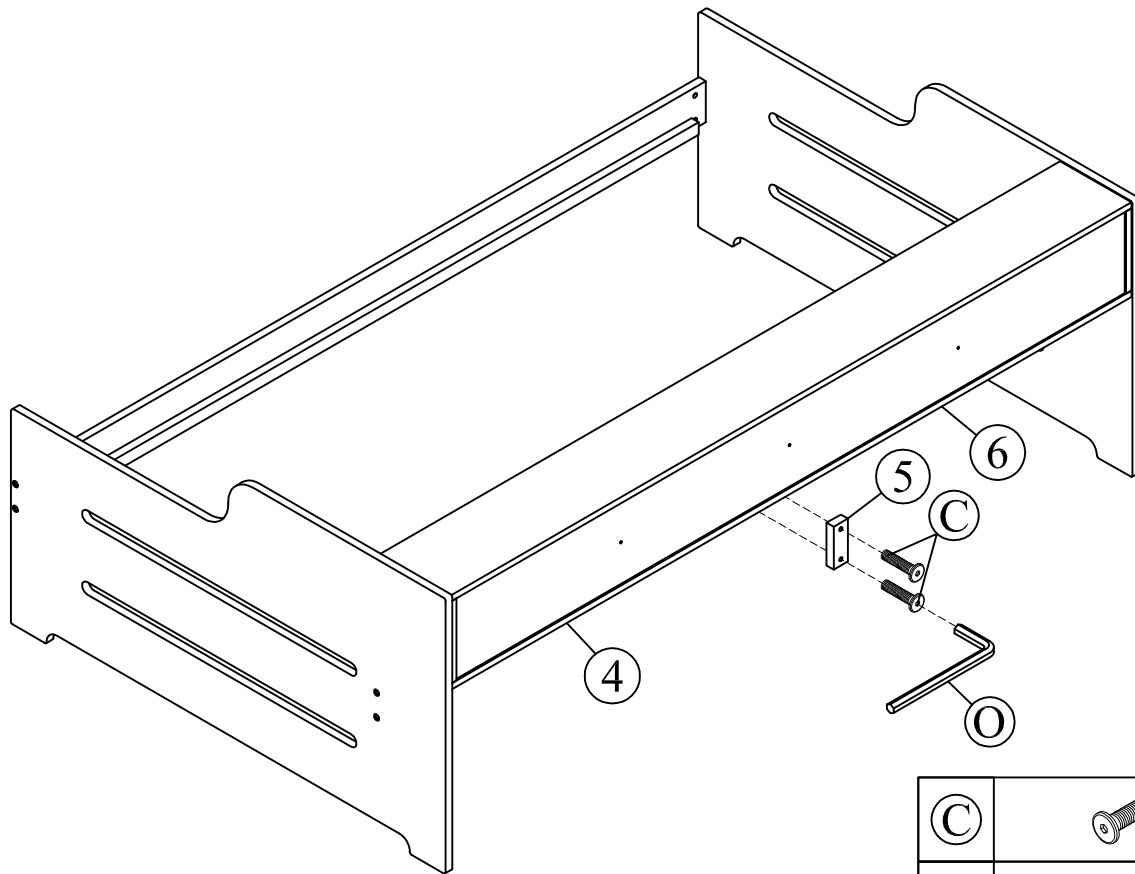
(B)		04
(D)		08
(E)		08
(O)		01

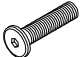

STEP 4:



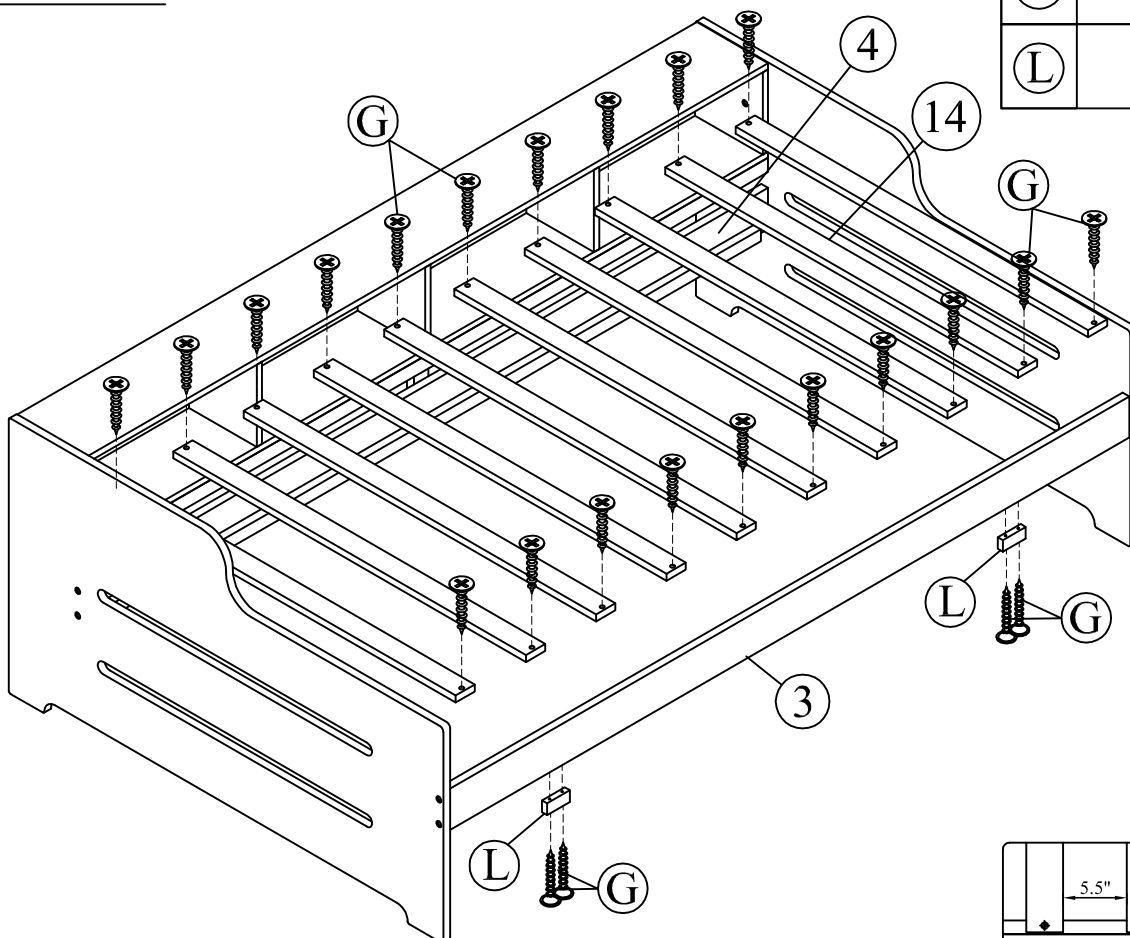
(C)		06
(O)		01


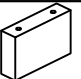
STEP 5:

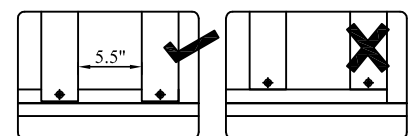


C		02
O		01



STEP 6:

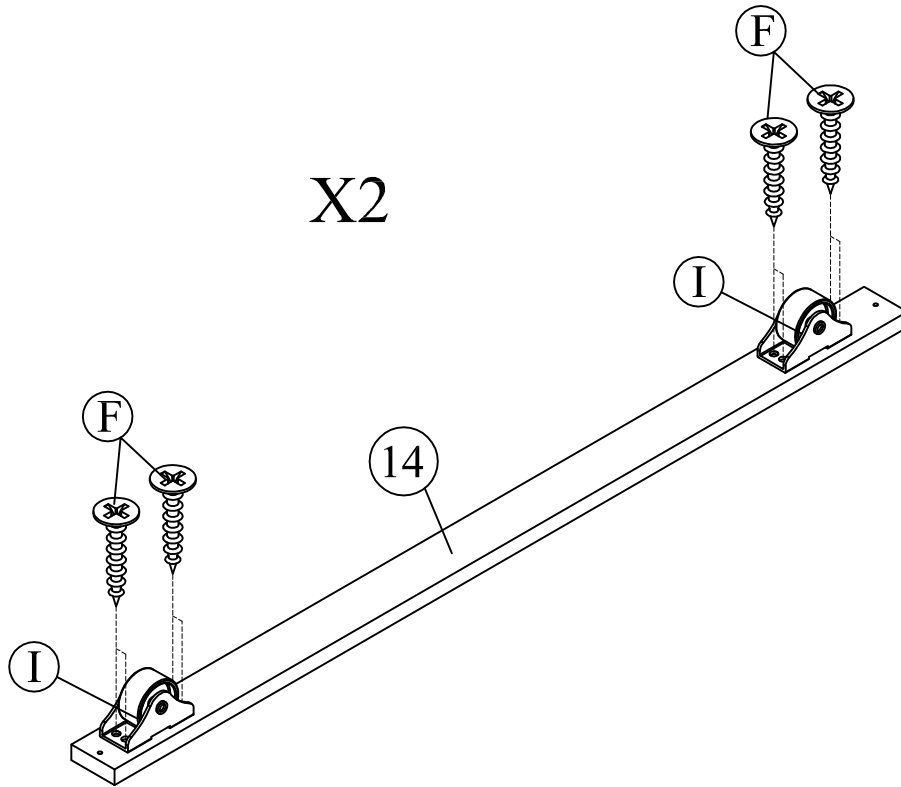


G		24
L		02




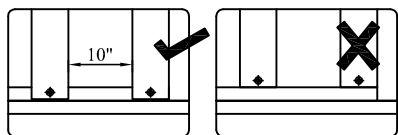
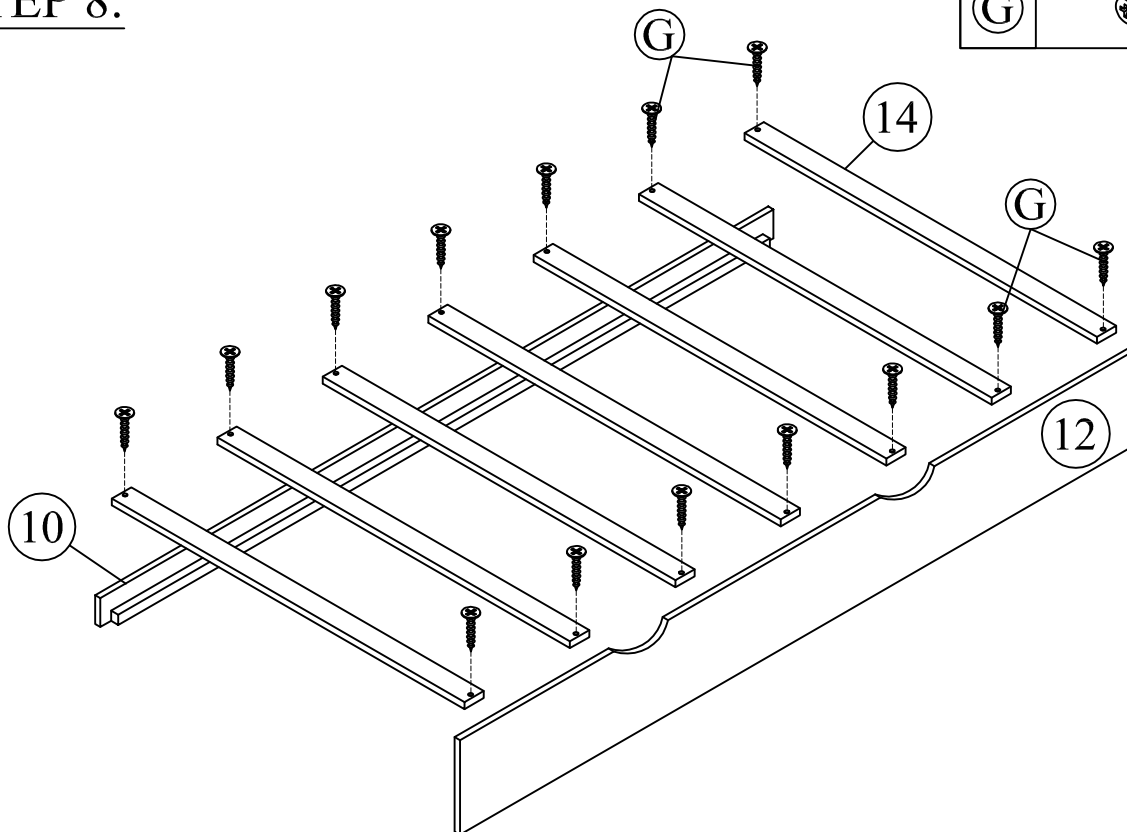
STEP 7:

(F)		16
(I)		04


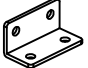
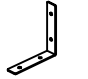


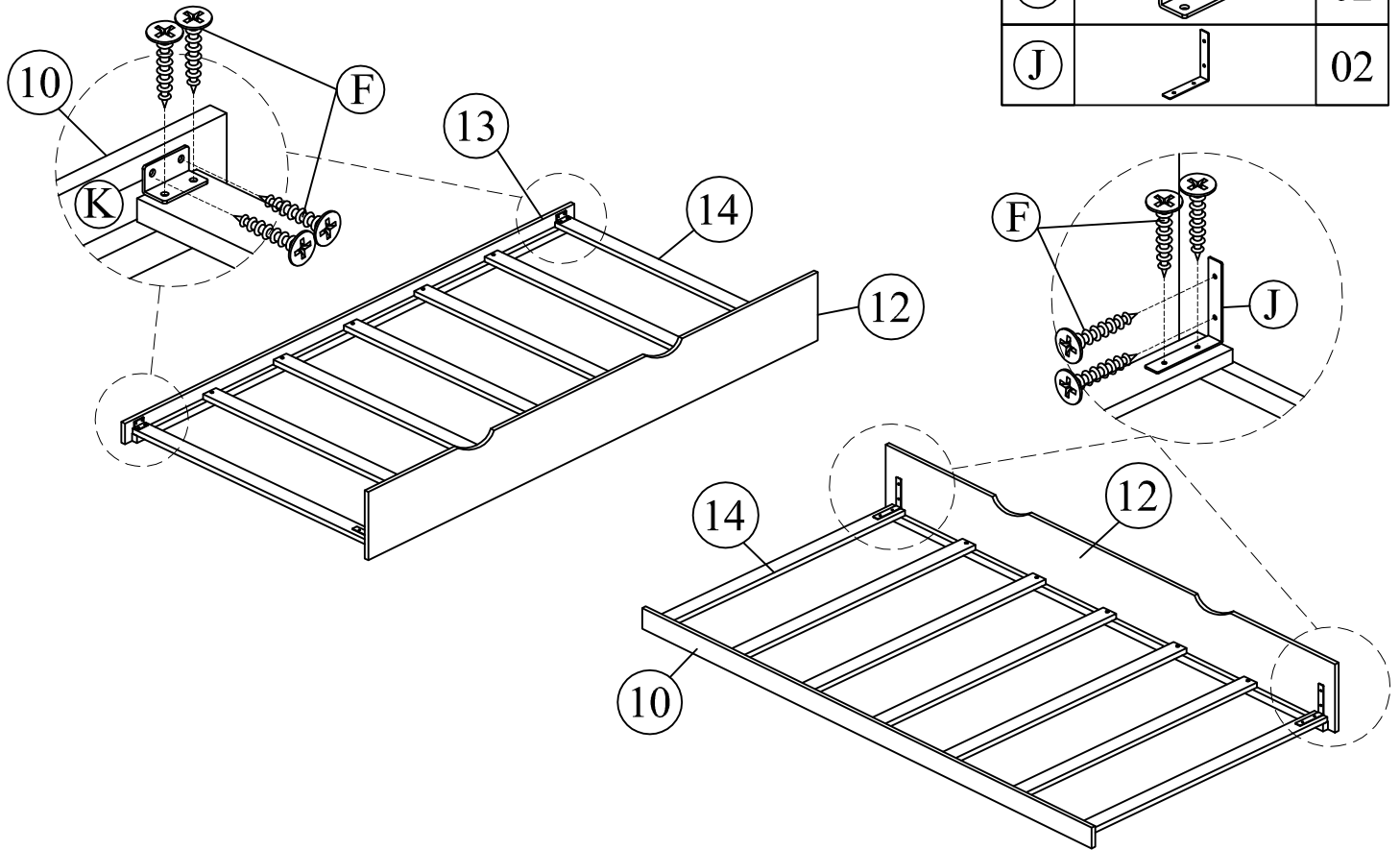
STEP 8:

(G)		14
-----	---------------------------------------------------------------------------------------	----



STEP 9:

(F)		16
(K)		02
(J)		02



FINAL:

