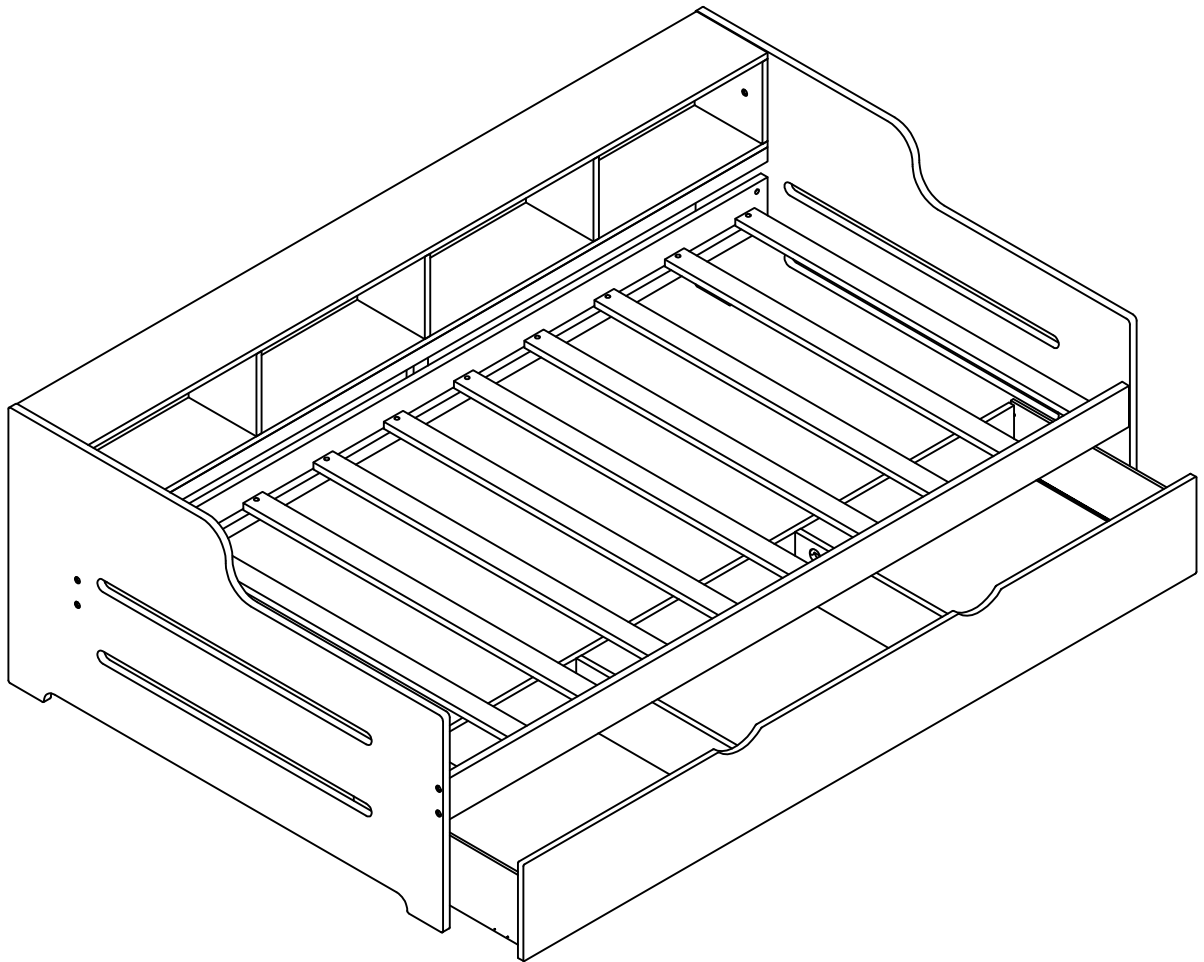
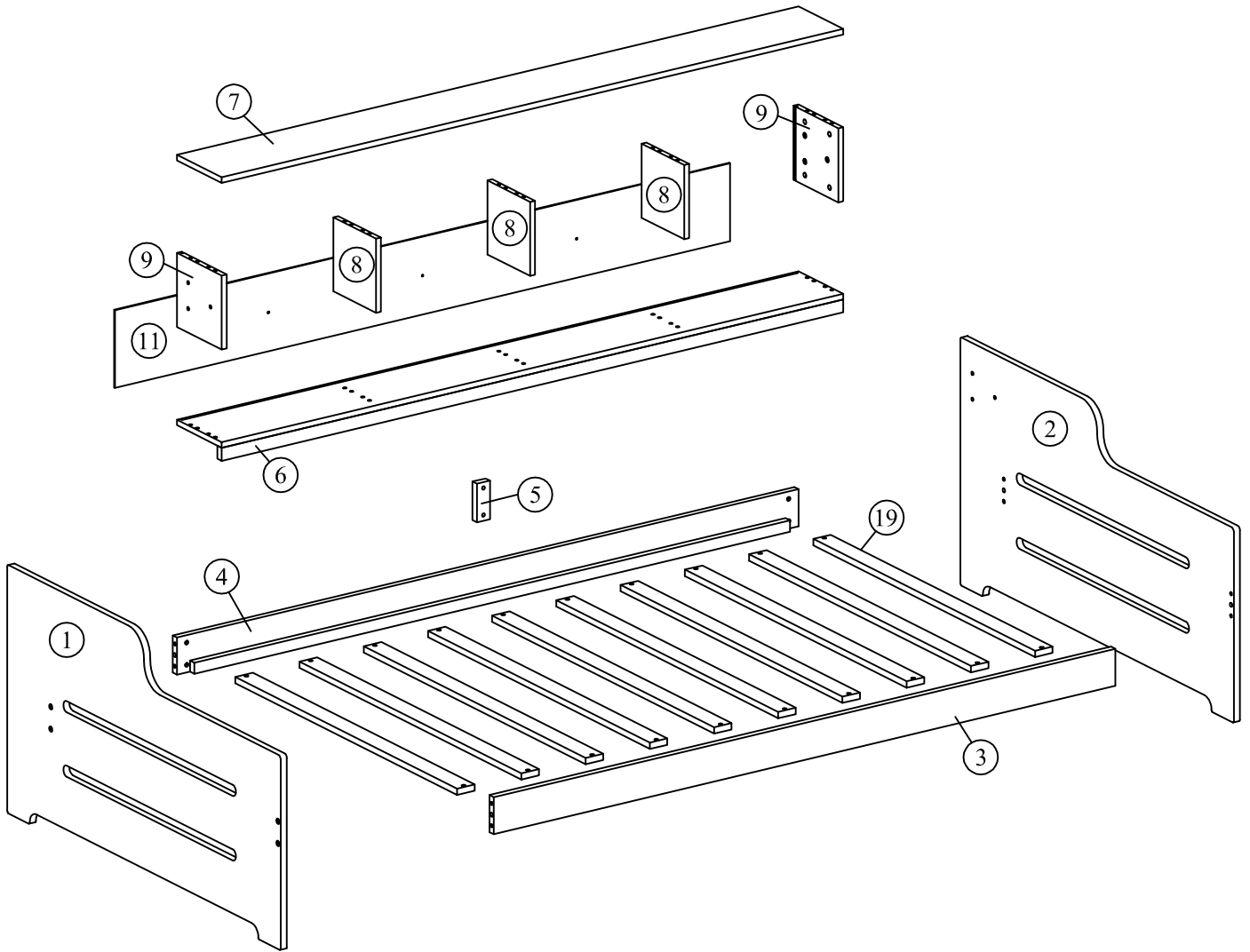


ASSEMBLY INSTRUCTION

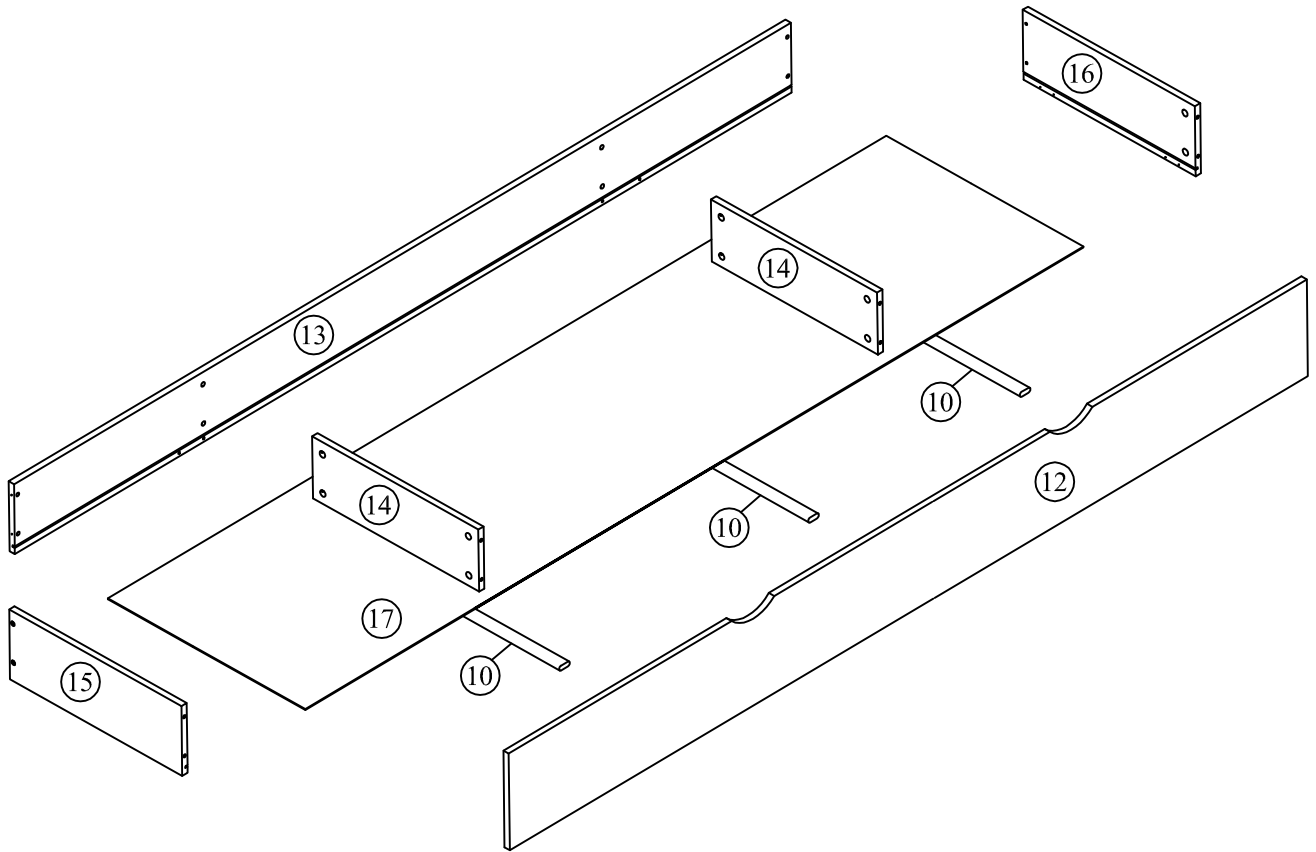
SKU CODE: WF317122/WF317123



Detail view

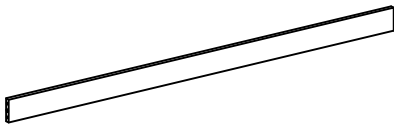


Detail view



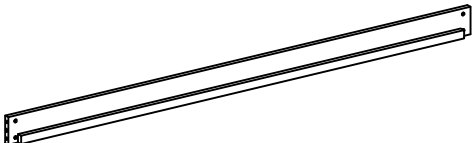
Part List (WF317122)

3 x1



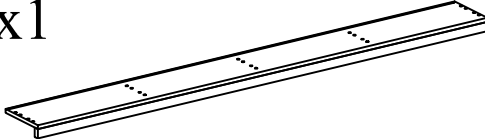
Front - Side rail

4 x1



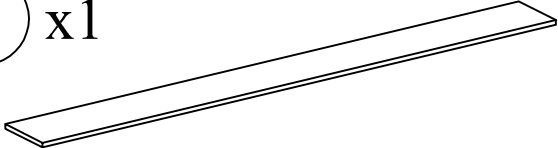
Back - Side rail

6 x1



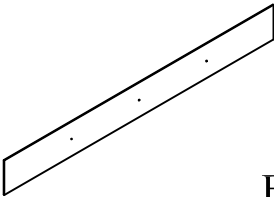
Bottom Shelf

7 x1



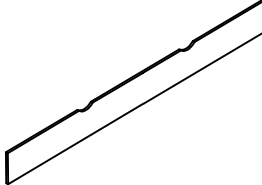
Top Shelf

11 x1



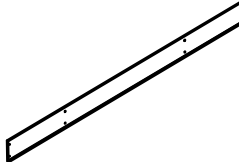
Back Shelf

12 x1



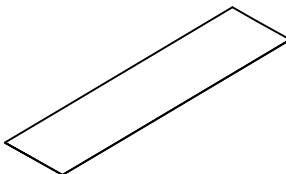
Front Drawer

13 x1



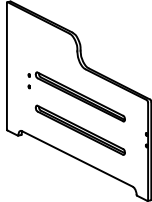
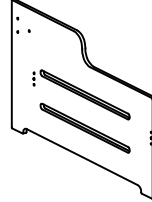

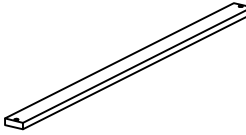
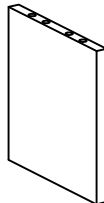
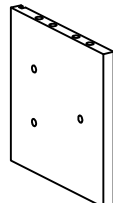
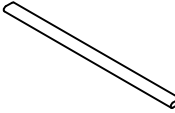
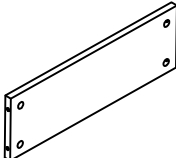
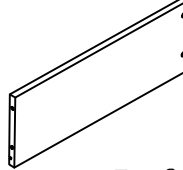
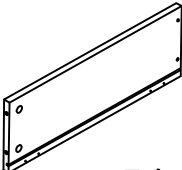
Back Drawer

17 x1


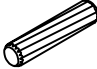
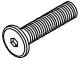







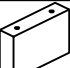





Bottom Drawer

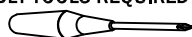
Part List (WF317123)

<p>① x1</p>  <p>Headboard</p>	<p>② x1</p>  <p>Footboard</p>
<p>⑤ x1</p>  <p>Support Side rail</p>	<p>⑱ x10</p>  <p>Slats</p>
<p>⑧ x3</p>  <p>Mid Shelf</p>	<p>⑨ x2</p>  <p>Side Shelf</p>
<p>⑩ x3</p>  <p>Support Drawer</p>	<p>⑭ x2</p>  <p>Mid Side Drawer</p>
<p>⑮ x1</p>  <p>Left Side Drawer</p>	<p>⑯ x1</p>  <p>Right Side Drawer</p>

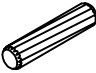


Hardware List (WF317123)

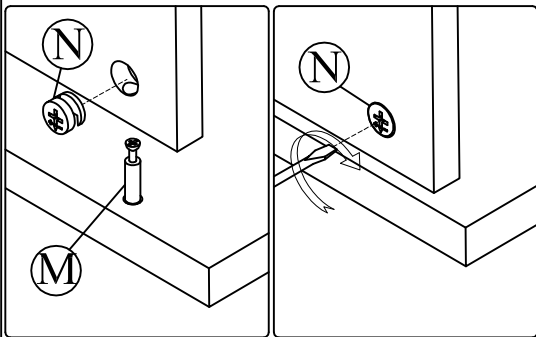
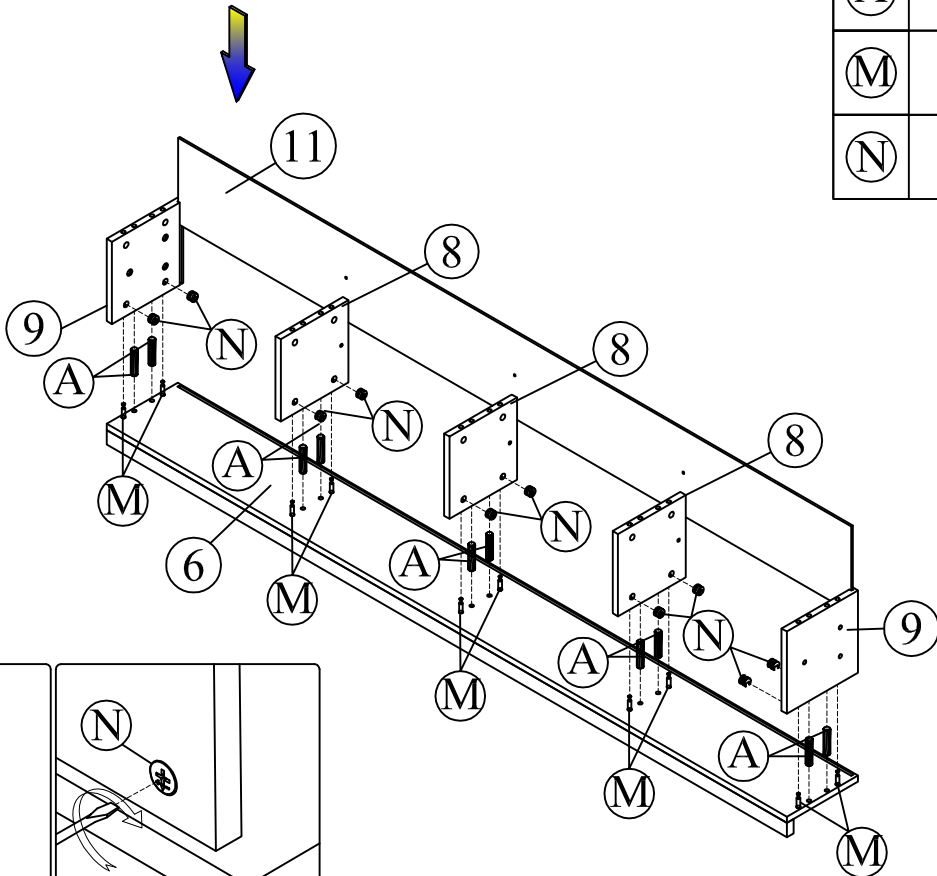
No.	OUTLOOK	DESC	QTY
(A)		Dowel Ø8*30mm	20
(B)		Dowel Ø10*40mm	4
(C)		Bolts 1/4"*25mm	8
(D)		Bolts 1/4"*60mm	8
(E)		Cross dowel 1/4"*13mm	8
(F)		Screws #6*12mm	22
(G)		Screws #8*30mm	35
(H)		Round head screw #8*40mm	3
(I)		Wheels	4
(J)		Base L	3
(L)		Wood stops	2
(M)		Connecting Bolt	28
(N)		Connector Housing	28
(O)		Allen key 60*22*4mm	1

ASSEMBLY TOOLS REQUIRED (NOT INCLUDED)

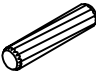





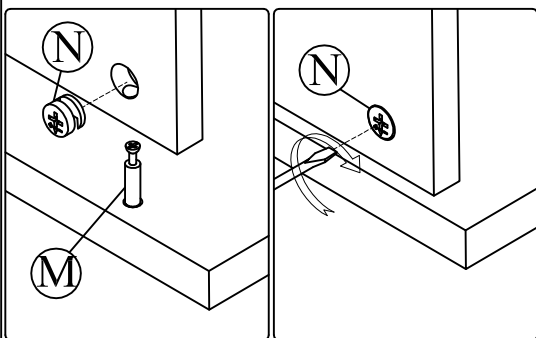
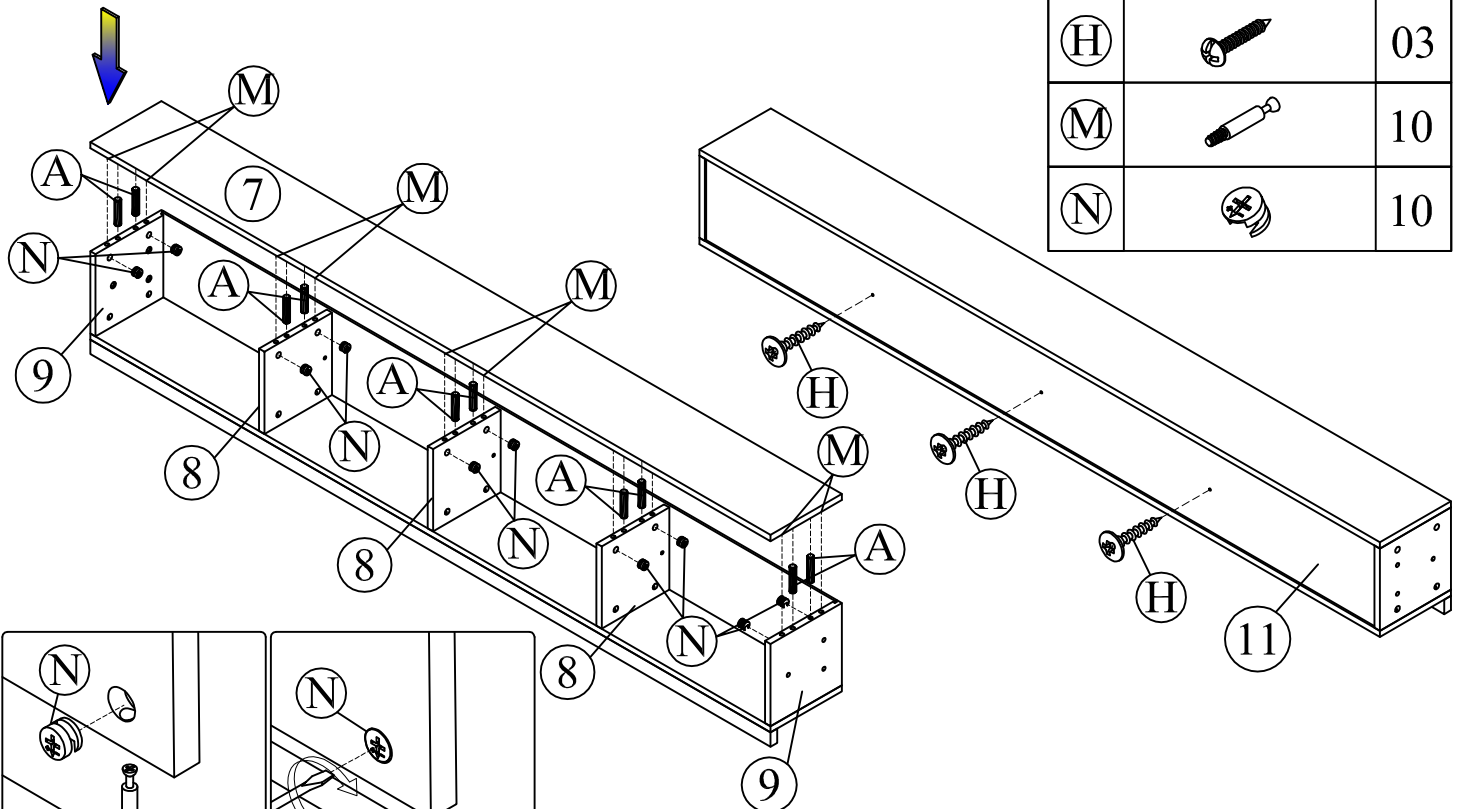
STEP 1:

(A)		10
(M)		10
(N)		10

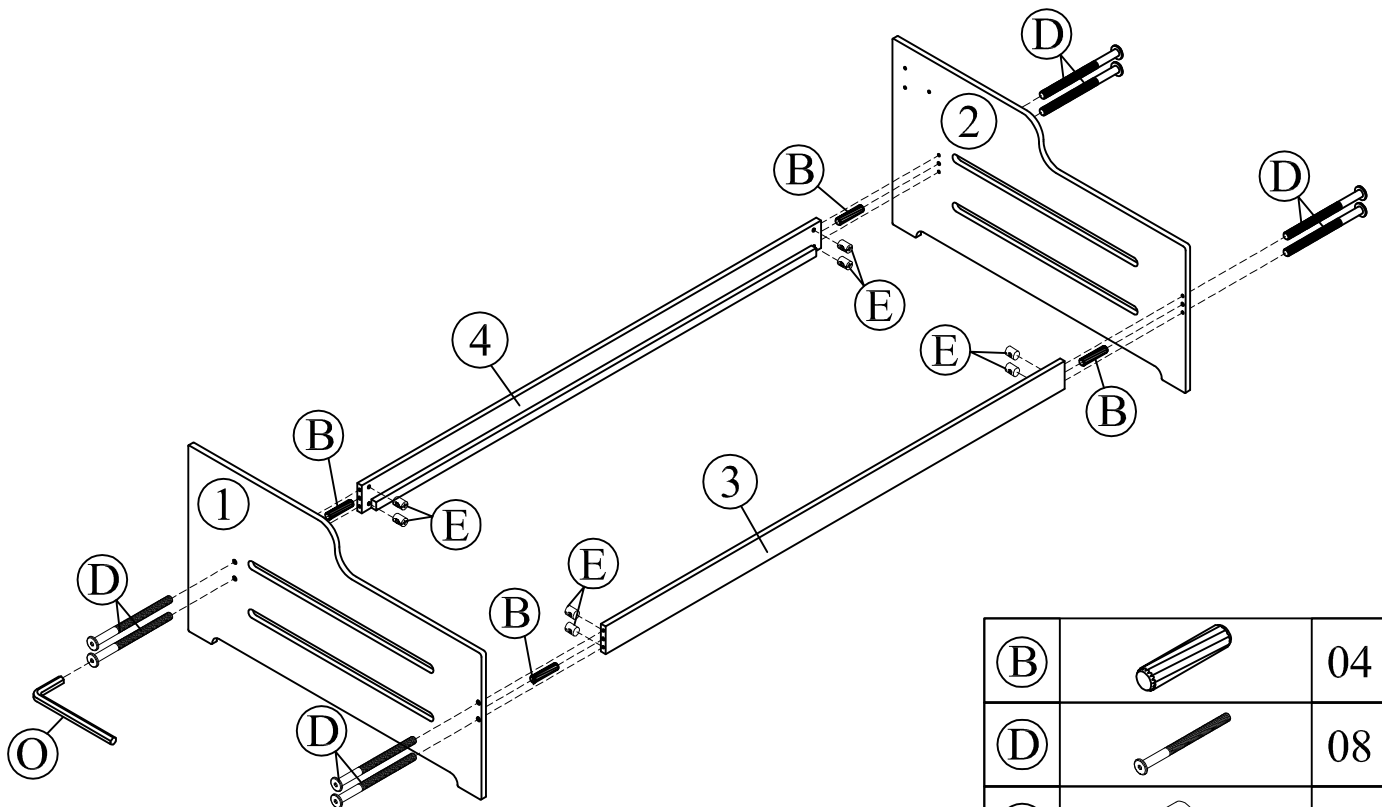


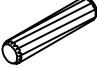



STEP 2:

(A)		10
(H)		03
(M)		10
(N)		10

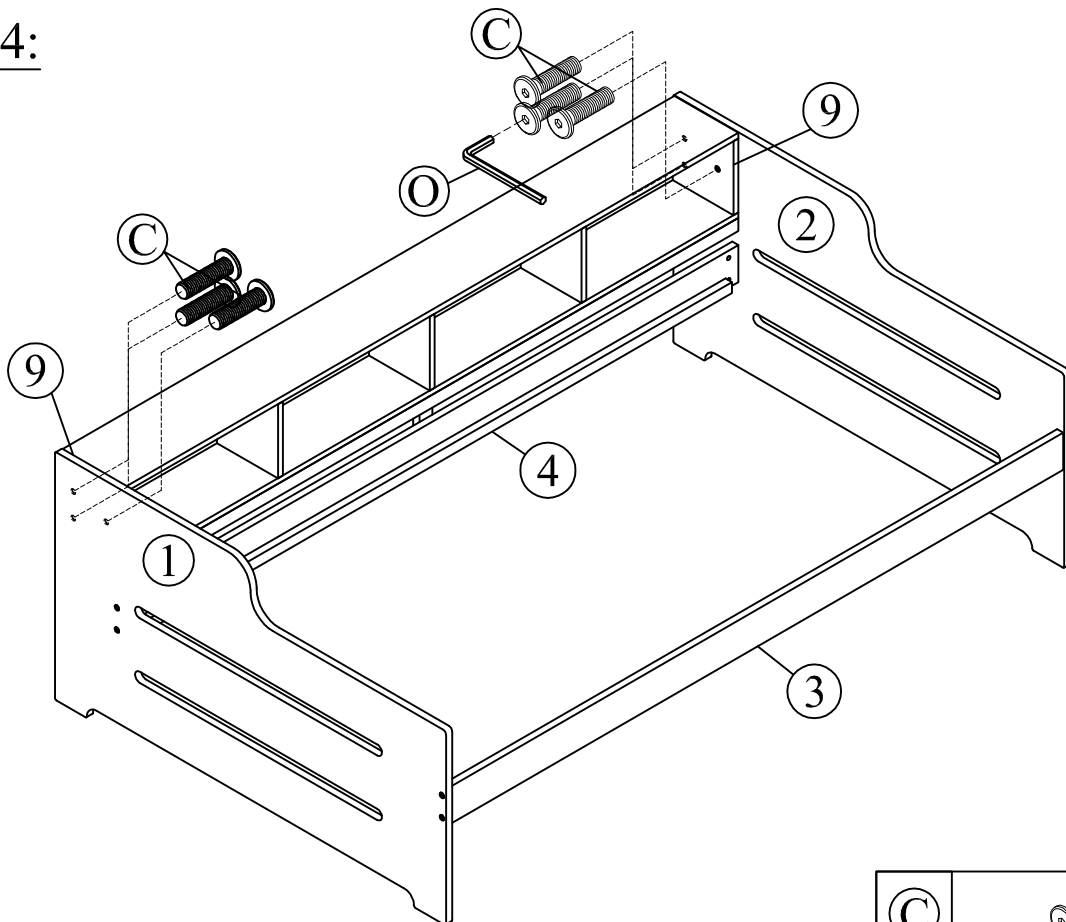


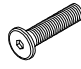

STEP 3:



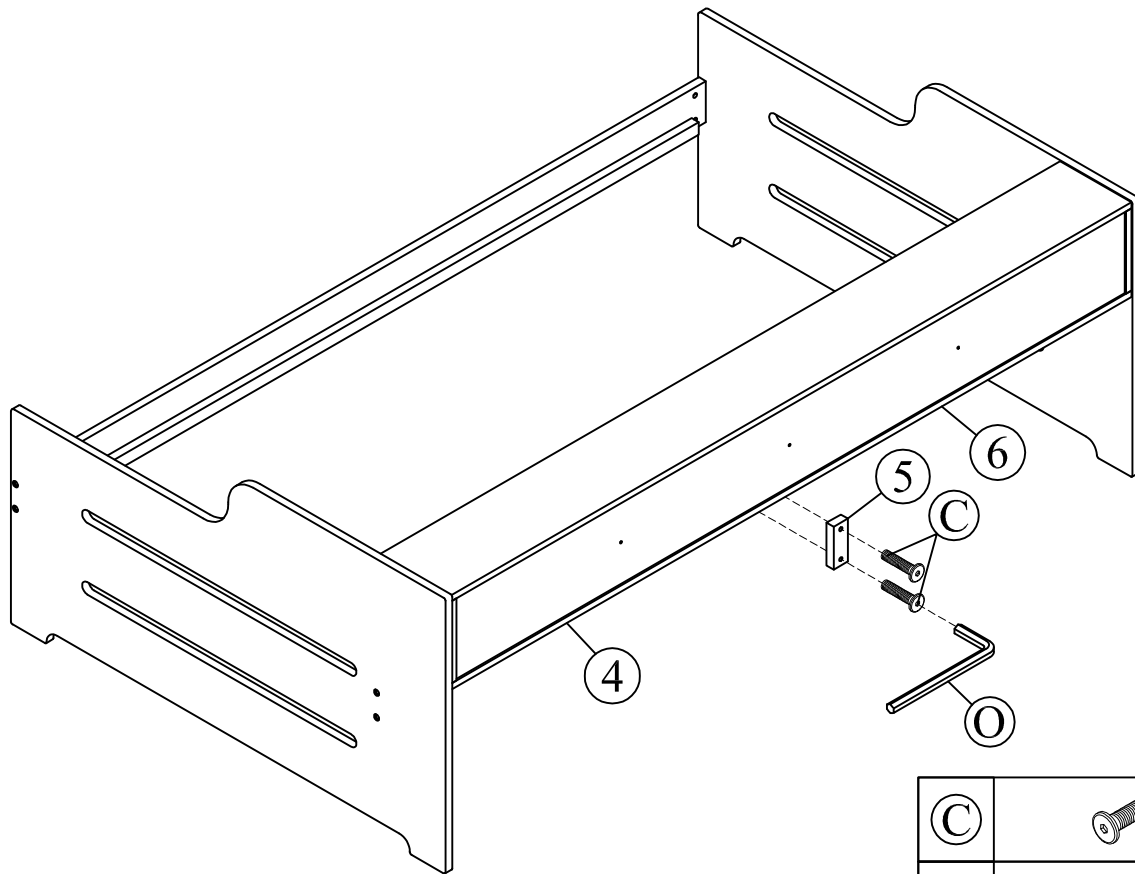
(B)		04
(D)		08
(E)		08
(O)		01

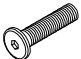

STEP 4:



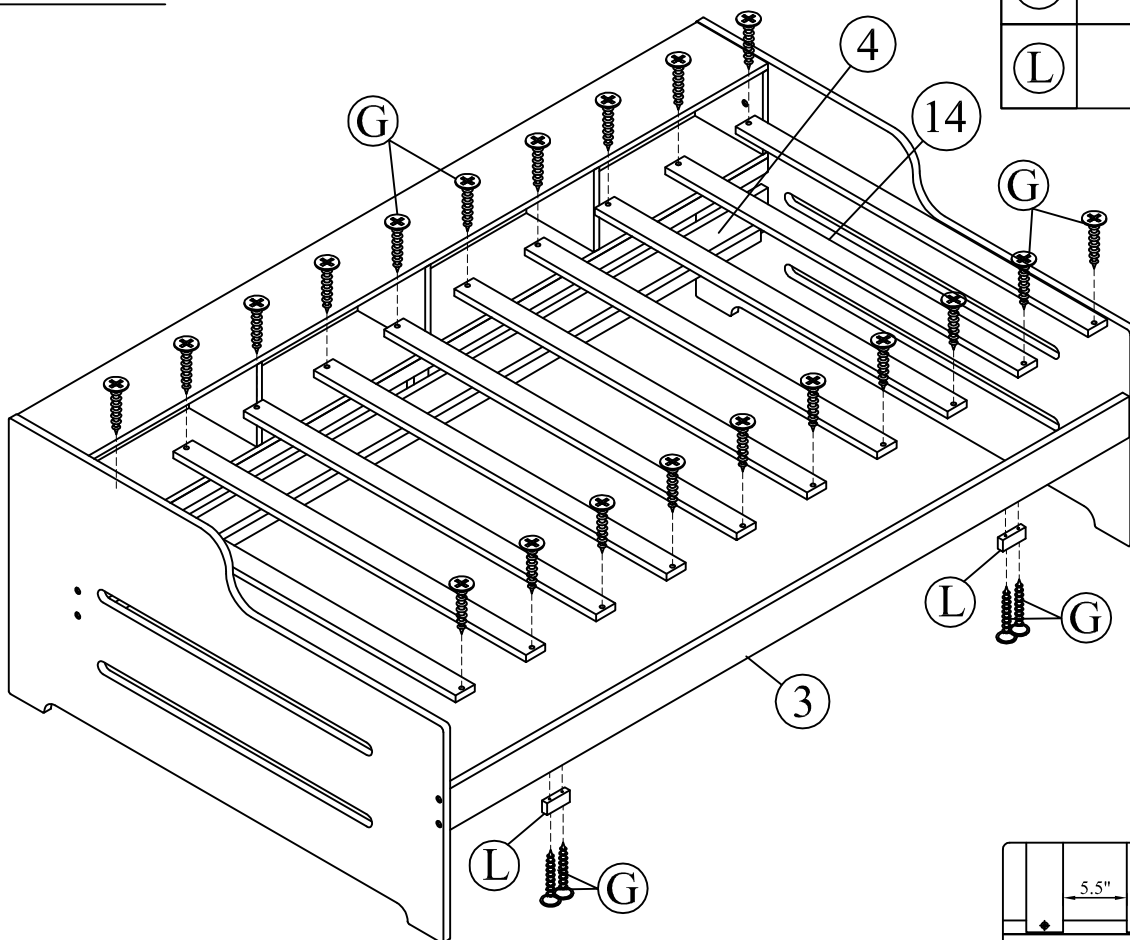
(C)		06
(O)		01



STEP 5:

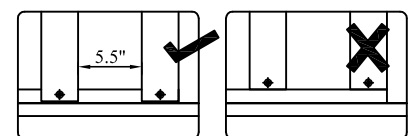


C		02
O		01

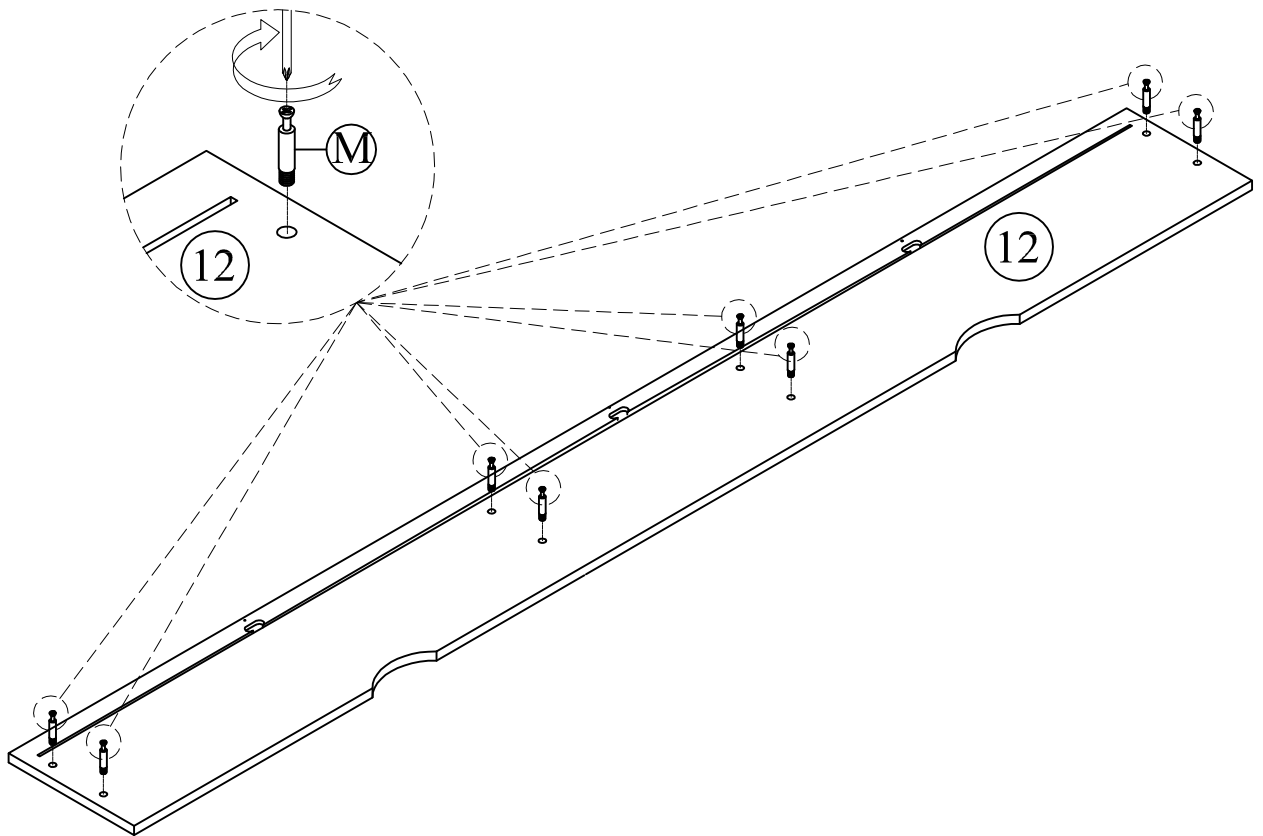
STEP 6:



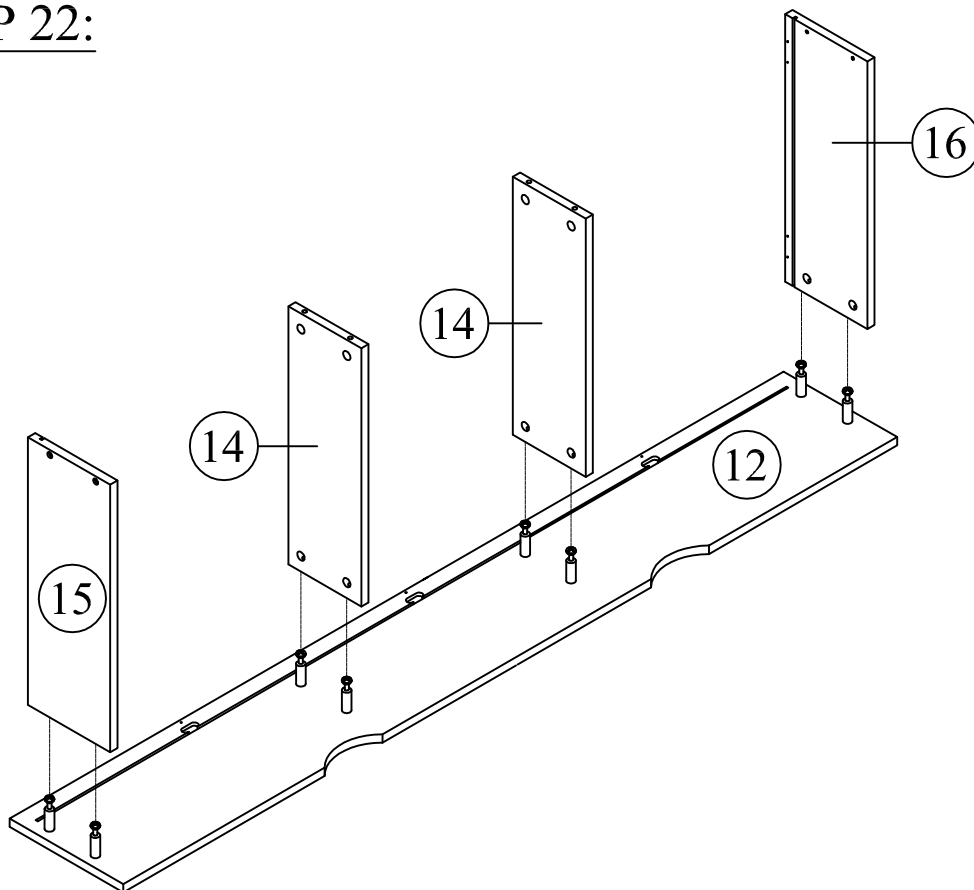
G		24
L		02



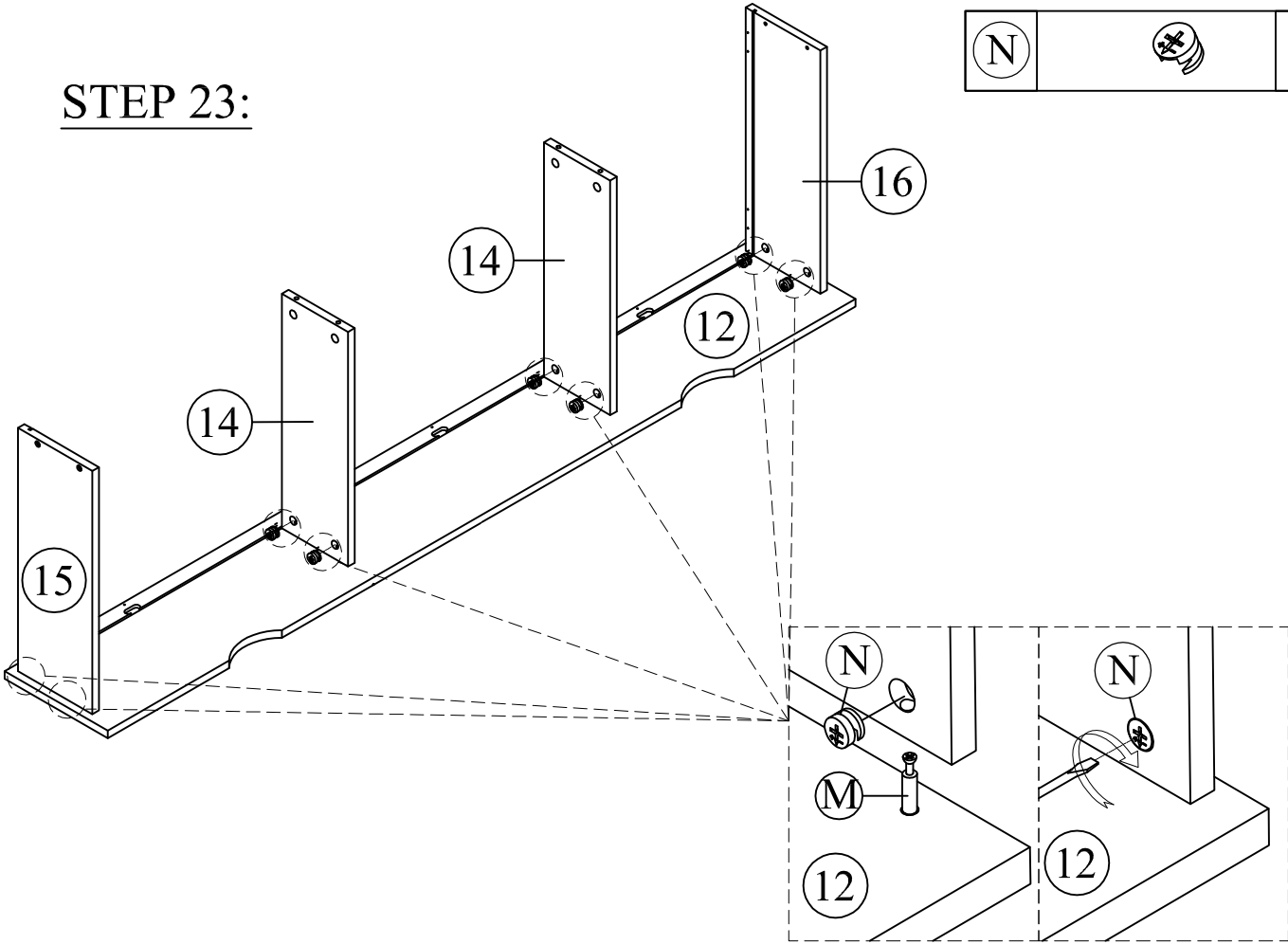
STEP 21:



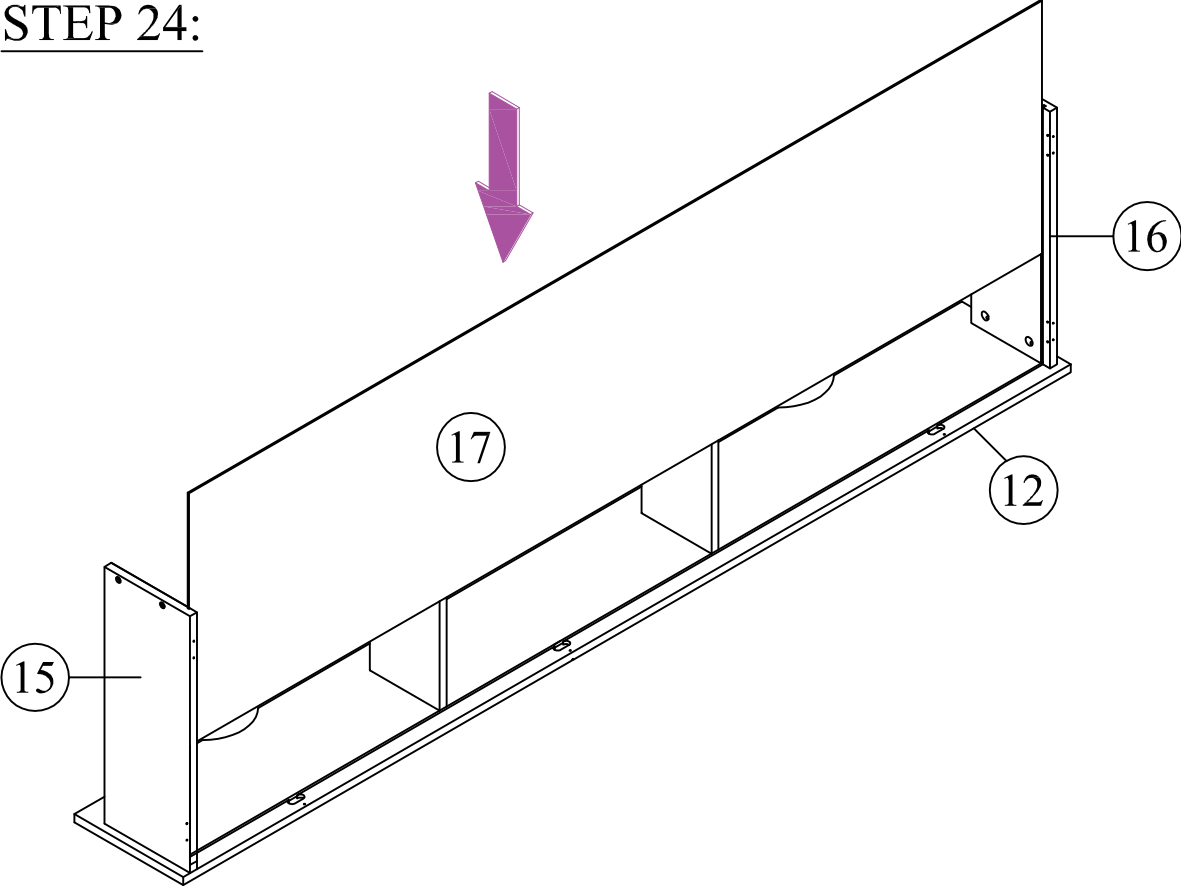
STEP 22:



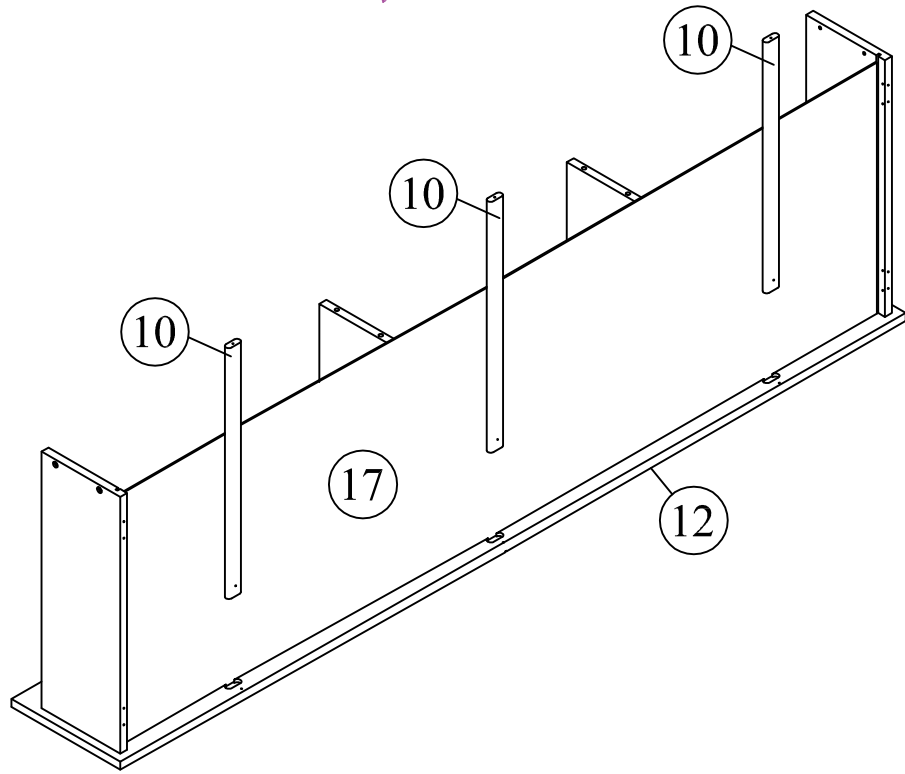
STEP 23:



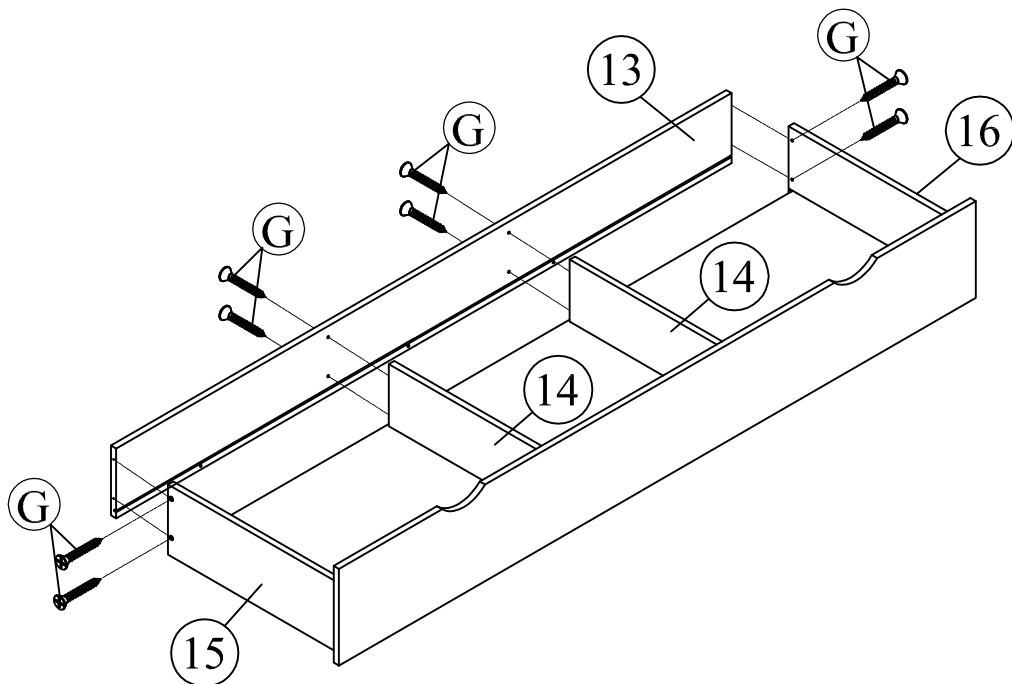
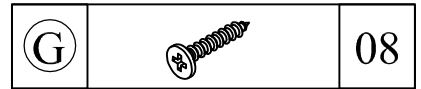
STEP 24:



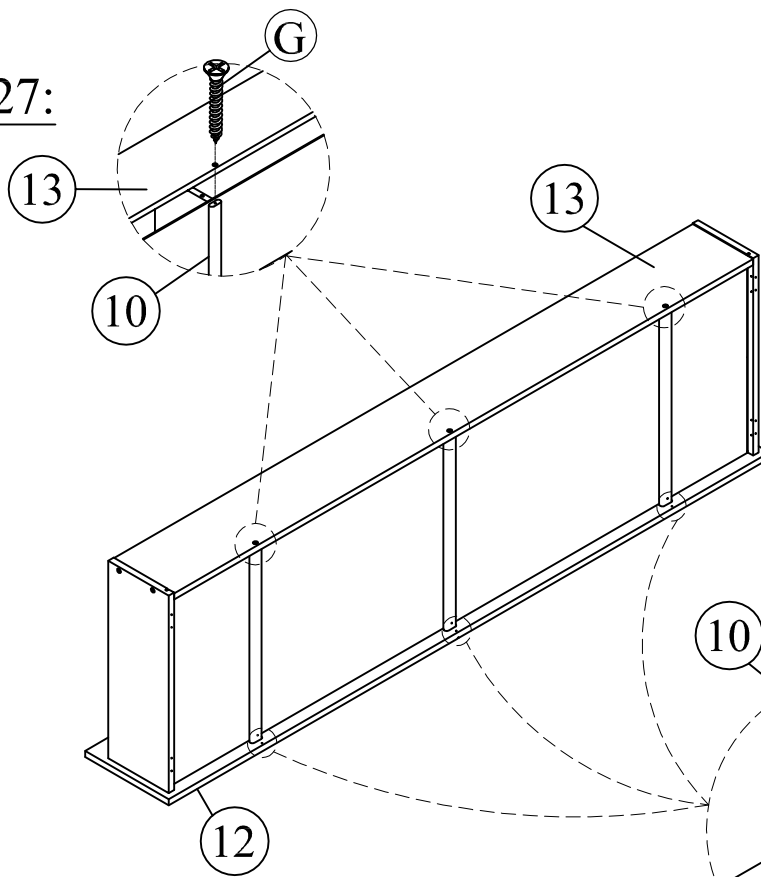
STEP 25:



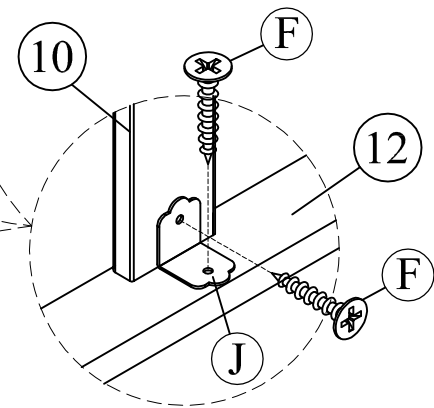
STEP 26:



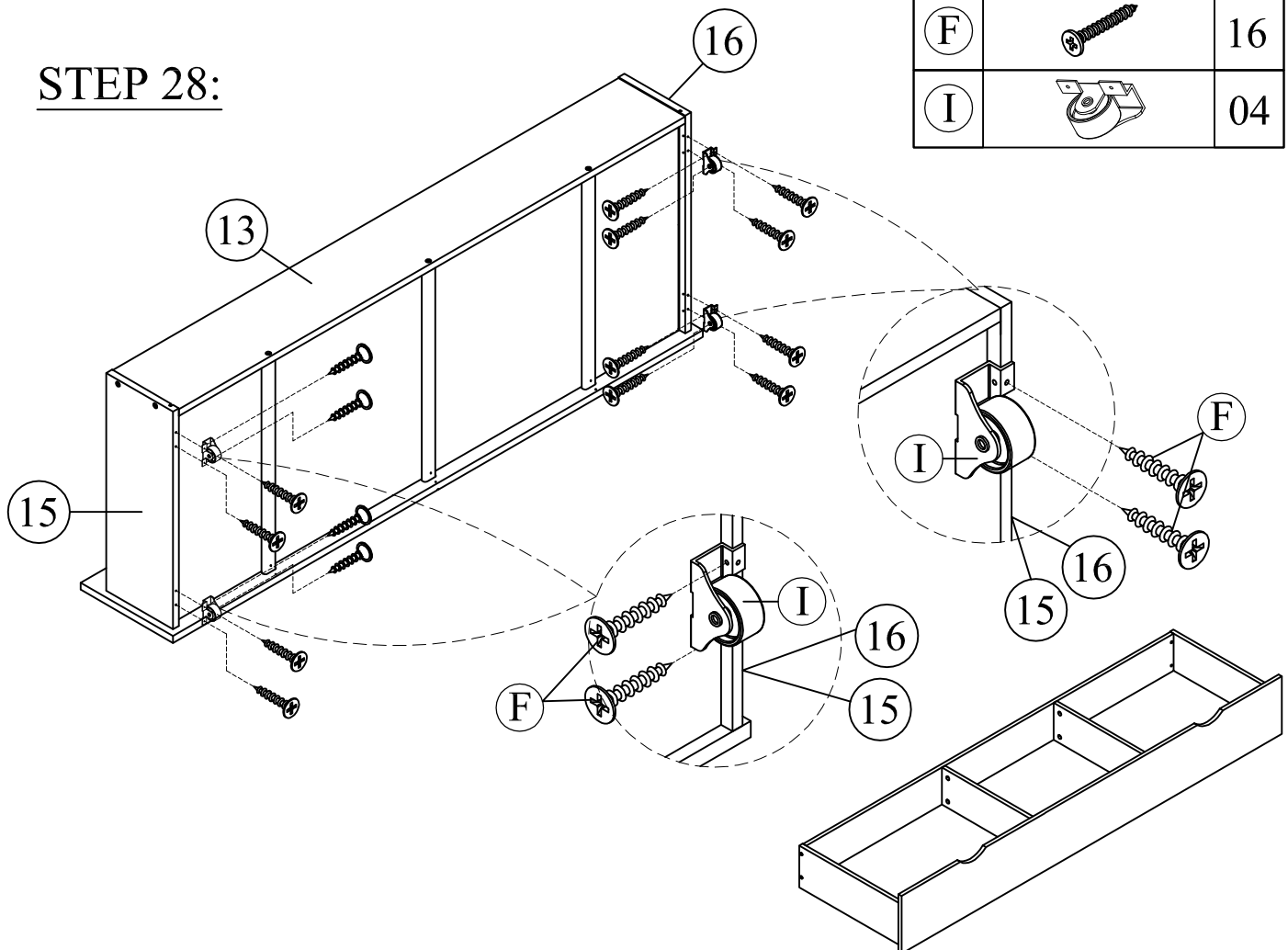
STEP 27:



(F)		06
(G)		03
(J)		03



STEP 28:



(F)		16
(I)		04

FINAL:

