

# ASSEMBLY INSTRUCTIONS

SKU NO: WF302312AAN DESCRIPTION:  
MIRRORED NIGHTSTAND

## IMPORTANT NOTE

**\*\*PLACE ALL PARTS ON A CLEAN AND SMOOTH SURFACE SUCH AS A RUG OR CARPET TO AVOID THE PARTS FROM BEING SCRATCHED**

**\*\*BEFORE YOU BEGIN, KINDLY FOLLOW THE ASSEMBLY INSTRUCTIONS STEP BY STEP**

**\*\*DO NOT TIGHTEN ALL SCREWS AND BOLTS UNTIL THE CABINET IS FULLY SET-UP**

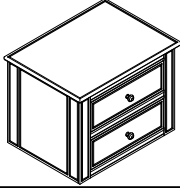



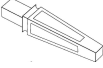



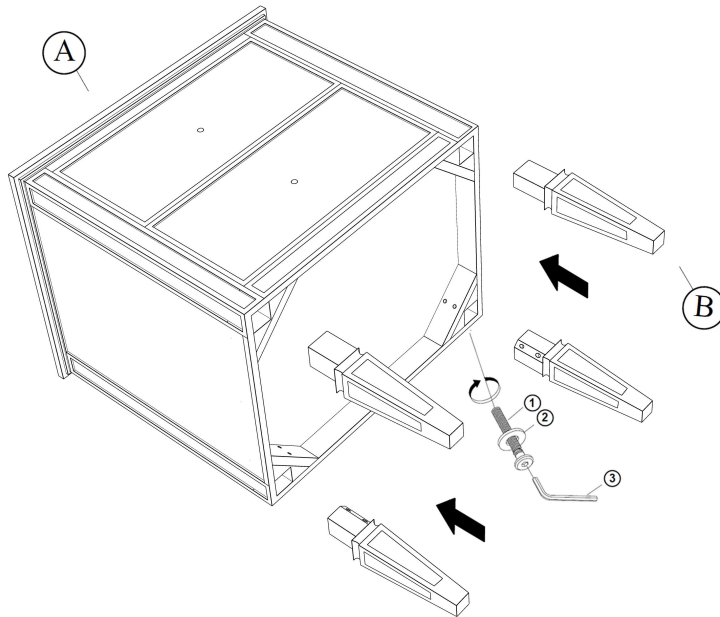
PLEASE DO NOT RETURN PRODUCT TO THE STORE



# ASSEMBLY INSTRUCTIONS

SKU NO: WF302312AAN DESCRIPTION:  
MIRRORED NIGHTSTAND

## CARTONS ONLY ONE / HARDWARE LIST

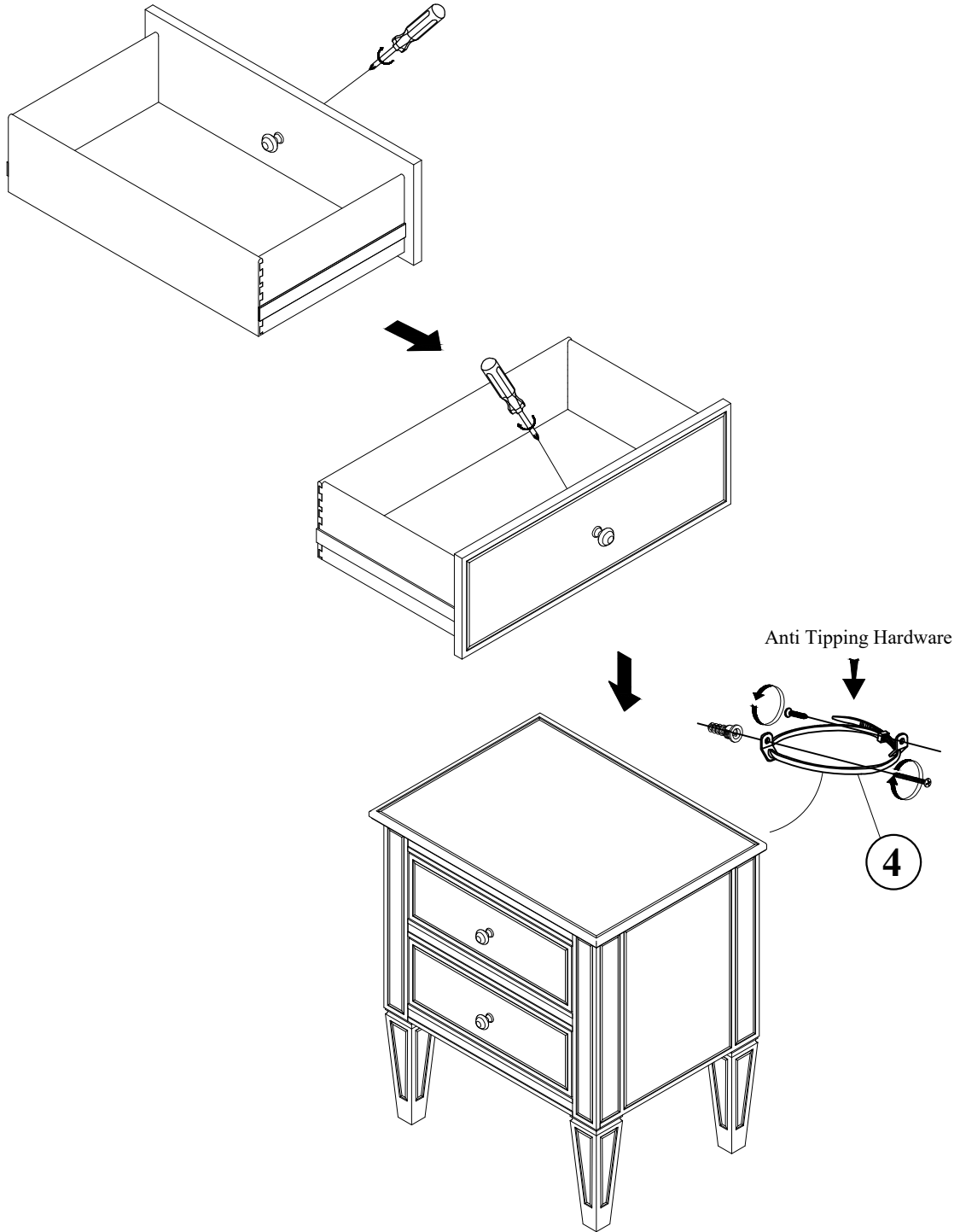
PART LISTS				HARDWARE LIST			
NO	DESCRIPTION	SKETCH	Q'TY	NO	DESCRIPTION	SKETCH	Q'TY
Ⓐ	NIGHTSTAND		1 PC	①	BOLT M8*45mm		8PCS
				②	WASHER M8*12mm		8 PCS
				③	ALLEN KEY M4*75mm		1 PC
Ⓑ	LEGS		4 PCS	④	Tipping Restraint Kit		1 SET



NO	DESCRIPTION	SKETCH	Q'TY
①	BOLT M8*45mm		8PCS
②	WASHER M8*12mm		8 PC

# ASSEMBLY INSTRUCTIONS

SKU NO: WF302312AAN DESCRIPTION:  
MIRRORED NIGHTSTAND



# ASSEMBLY INSTRUCTIONS

SKU NO: WF302312AAN DESCRIPTION:  
MIRRORED NIGHTSTAND

