
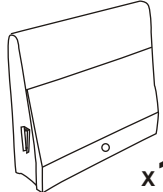
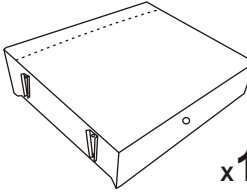
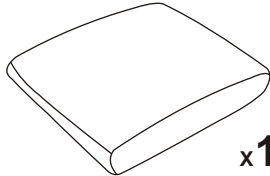
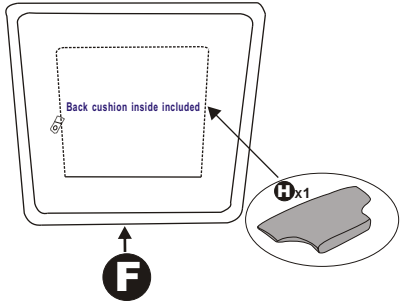


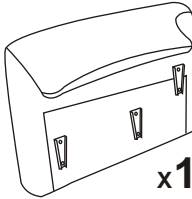
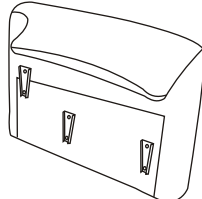
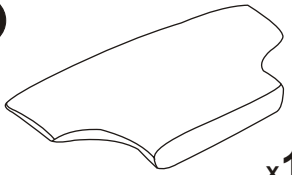

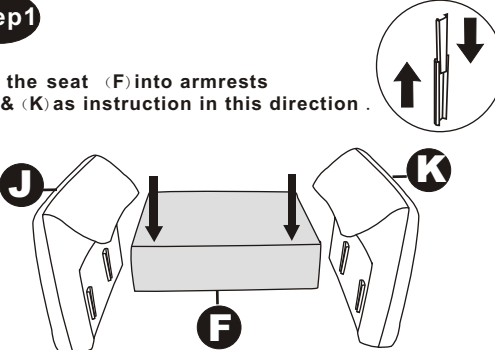


# ASSEMBLY INSTRUCTION

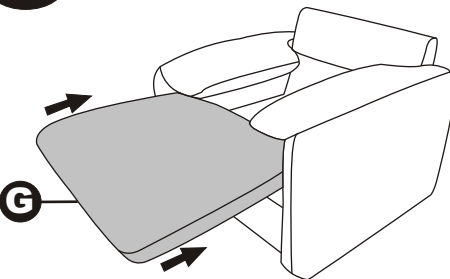
<b>A</b> x1	 M8x50mm	<b>E</b>  x1	<b>F</b>  x1	<b>G</b>  x1	<b>Attention!</b> Before assembly, pls open the zipper pocket underneath the seat (F) and take the back cushion (H) out. 
<b>B</b> x1	 M8				
<b>C</b> x1	 M8/φ 22mm	<b>J</b>  x1	<b>K</b>  x1	<b>H</b>  x1	
<b>D</b> x1	 6mm				

**Step1**

Put the seat (F) into armrests (J) & (K) as instruction in this direction.



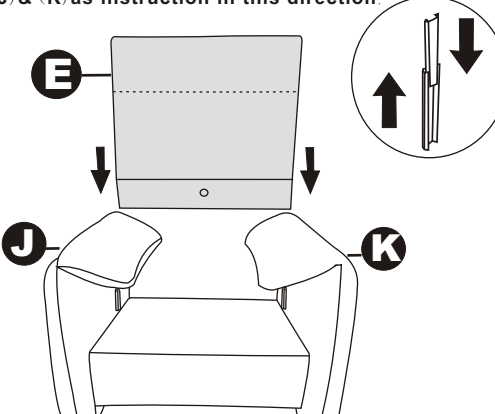
**Step3**



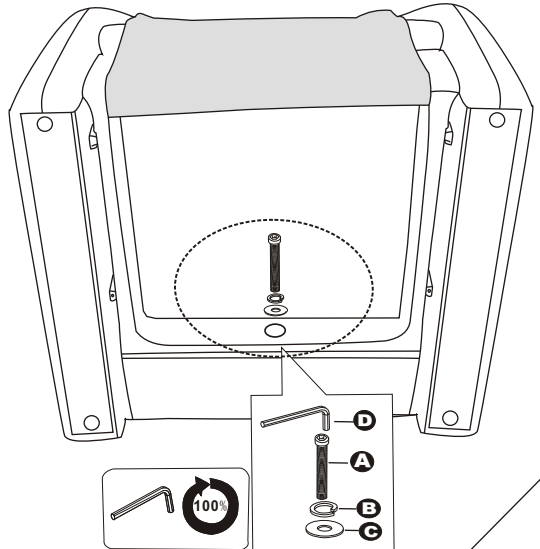
Put the part (G) onto seat in this direction.

**Step2**

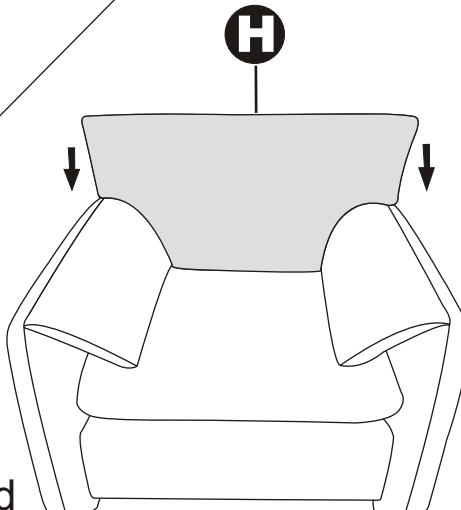
Put the part (E) into armrests (J) & (K) as instruction in this direction.



**Step4**



Use allen key (D) to fasten screw into 100%.



**Finished**