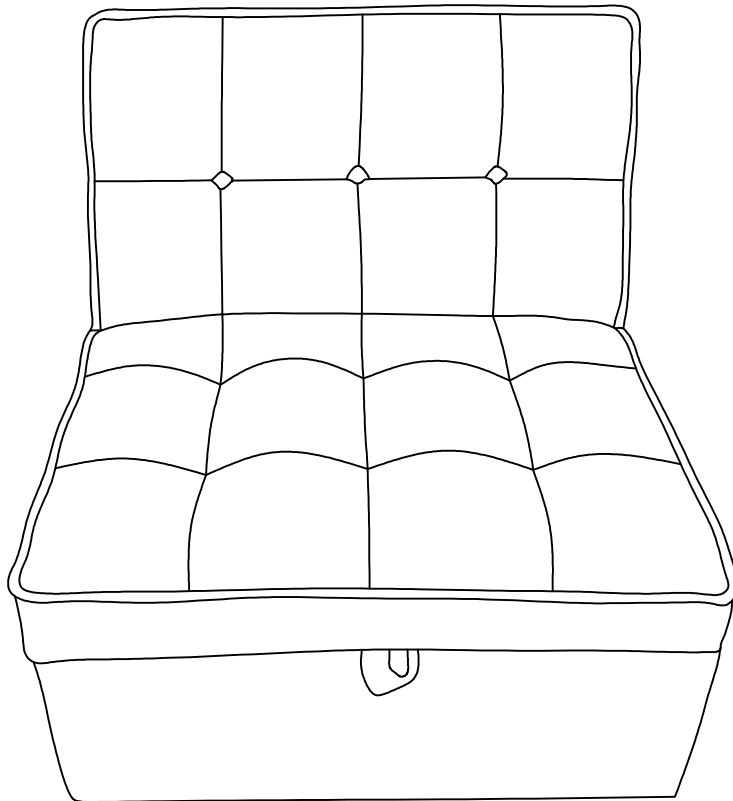


# Assembly Instructions

WF309305


Your chair comes packaged in one box. Carefully remove all of components from the packaging and set aside for assembly.

CAUTION:  
DO NOT use any sharp objects  
to open plastic wrapped  
components as damage to  
product or components may  
result.







# ASSEMBLY INSTRUCTIONS

## PARTS LIST

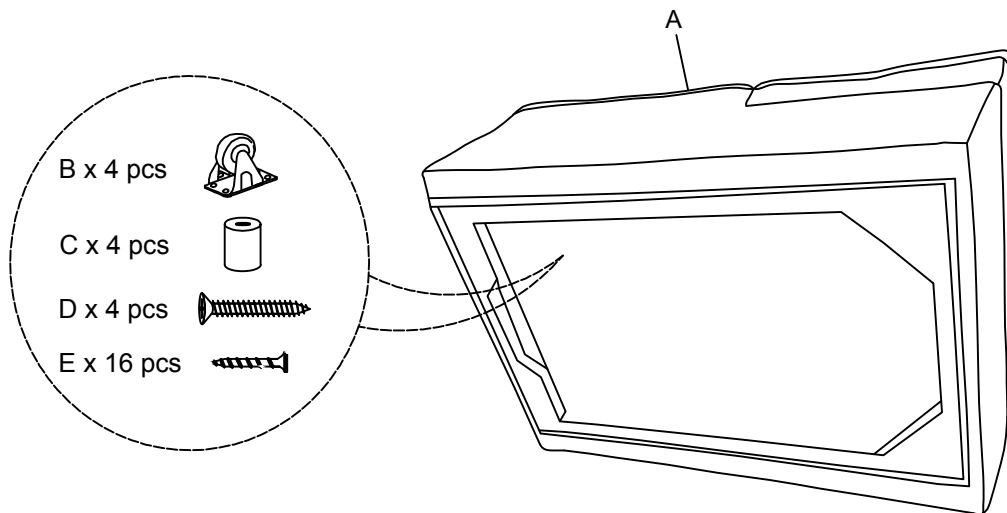
PART	DRAWING	DESCRIPTION	QTY
A		Seat frame	1

## HARDWARE LIST

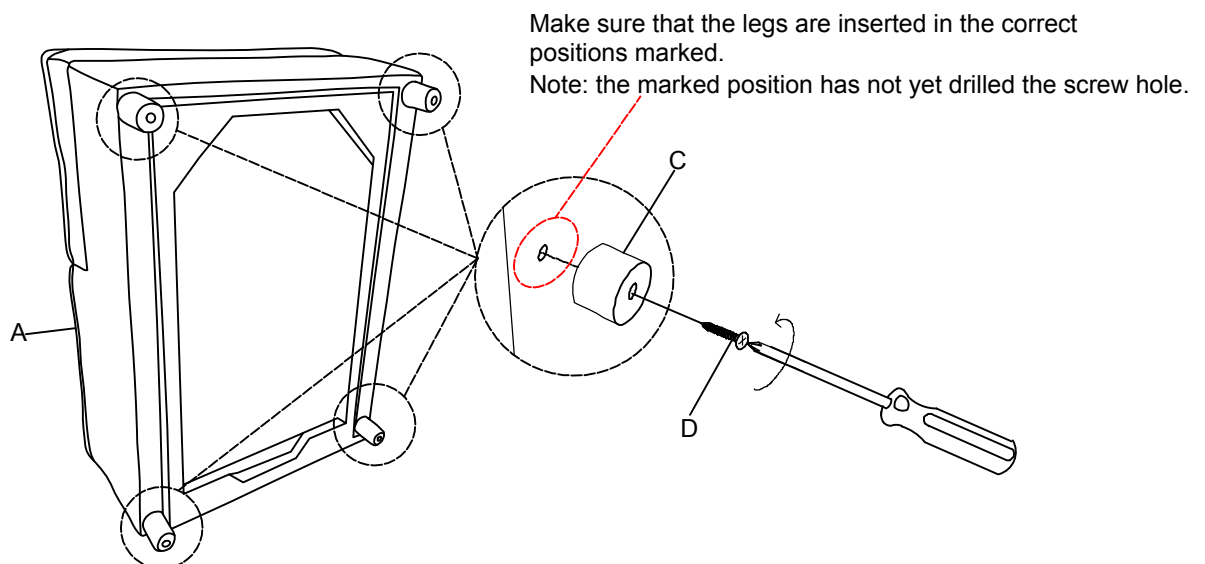
PART	DRAWING	DESCRIPTION	QTY	PART	DRAWING	DESCRIPTION	QTY
B		Roller	4	D		Screw M4x55mm	4
PART	DRAWING	DESCRIPTION	QTY	PART	DRAWING	DESCRIPTION	QTY
C		Leg	4	E		Screw M4x25mm	16

# ASSEMBLY INSTRUCTIONS

## STEP 1

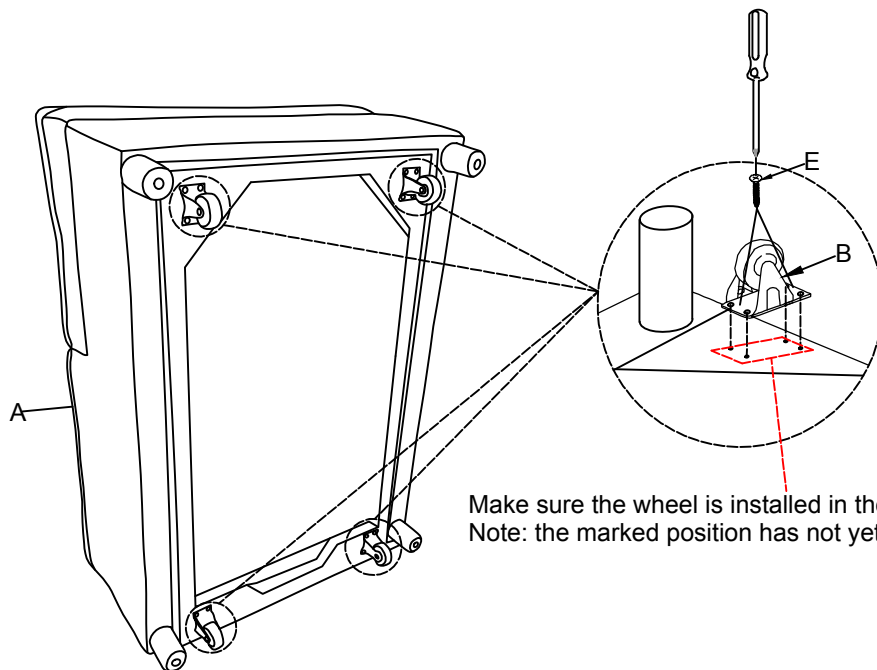


## STEP 2



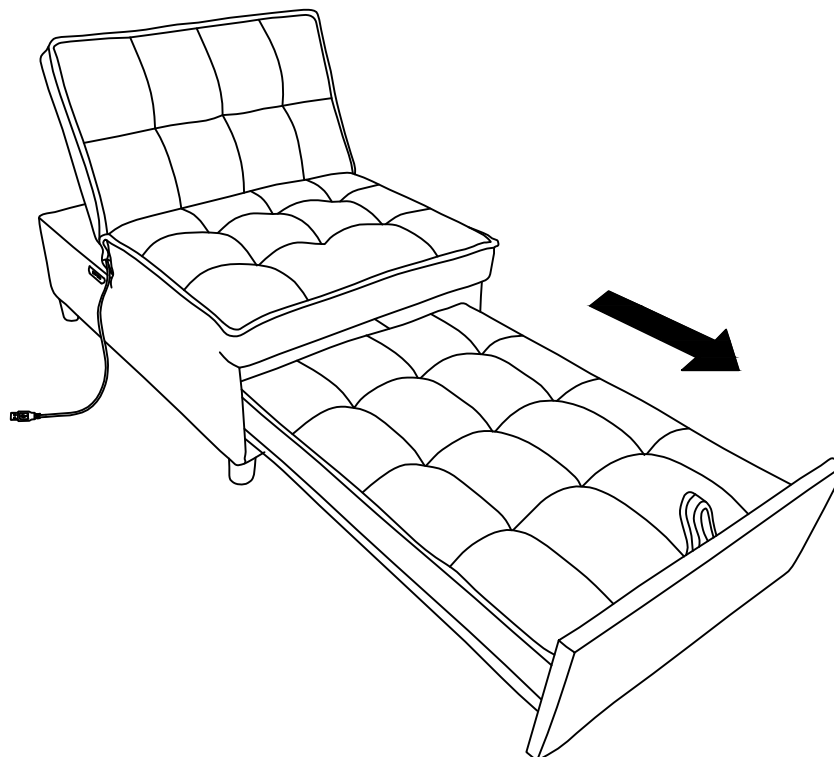
# ASSEMBLY INSTRUCTIONS

## STEP 3



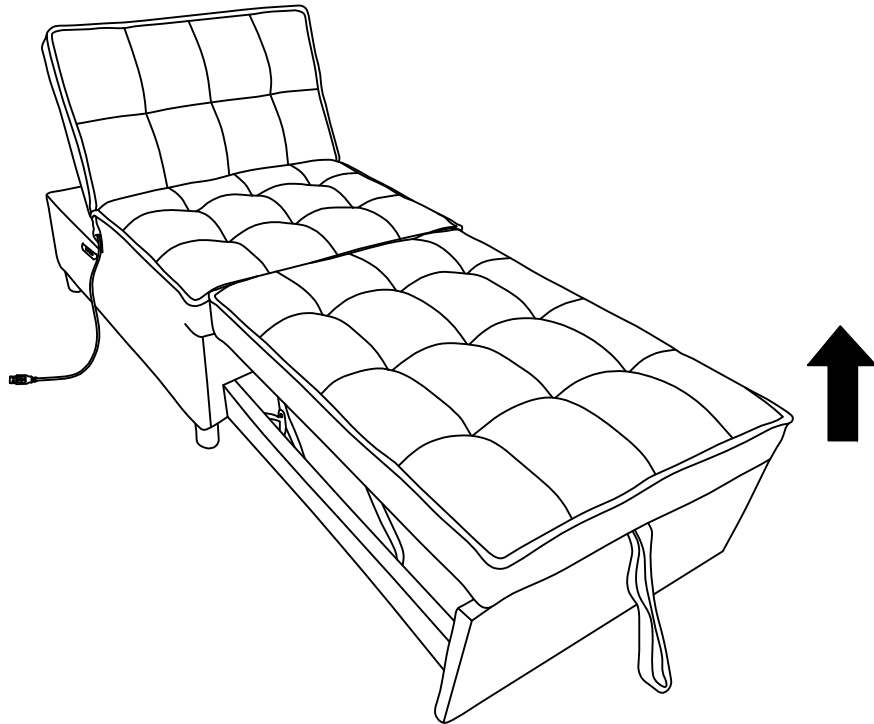
Make sure the wheel is installed in the marked position.  
Note: the marked position has not yet drilled the screw hole.

## STEP 4



# ASSEMBLY INSTRUCTIONS

STEP 5



STEP 6

