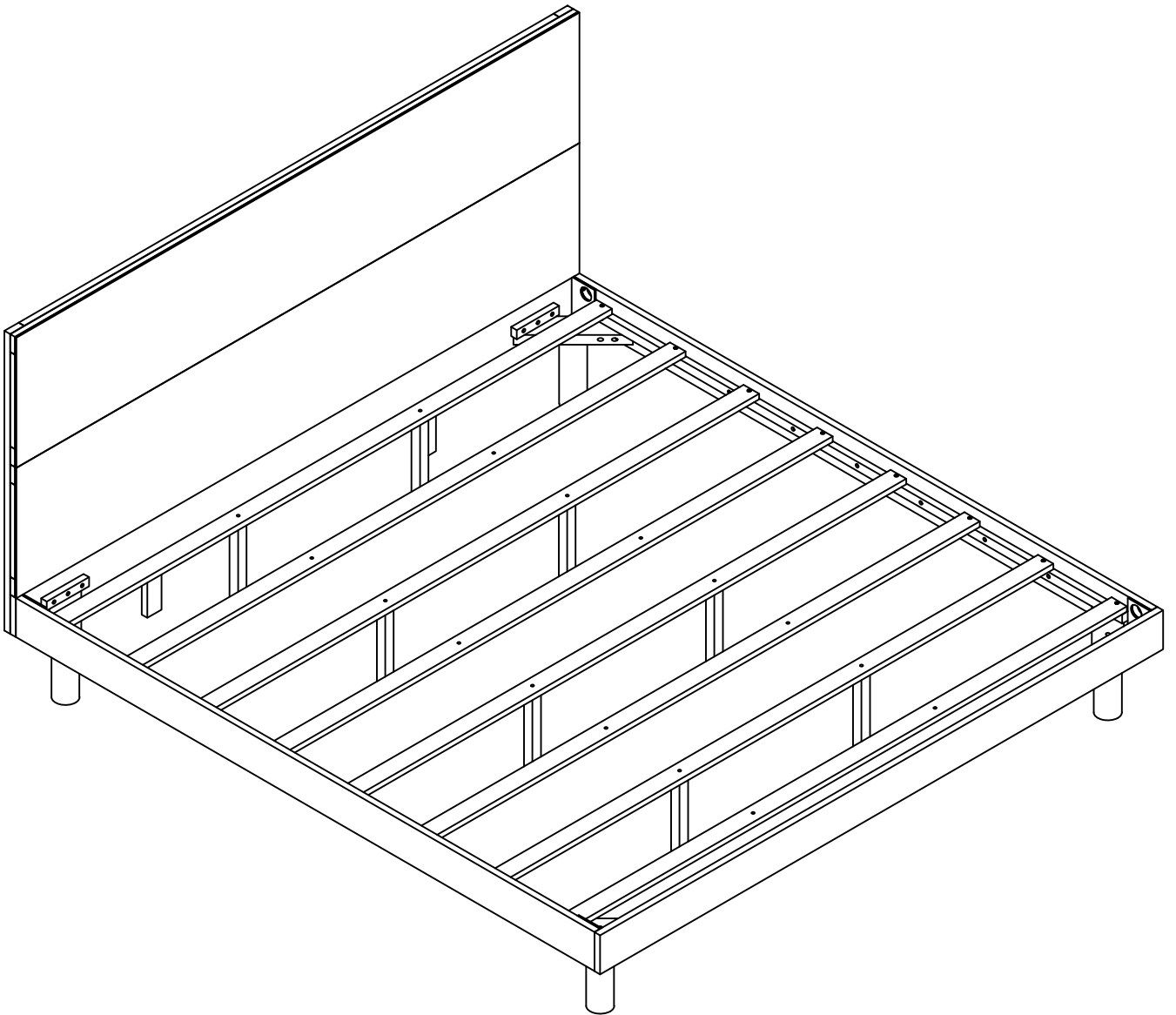


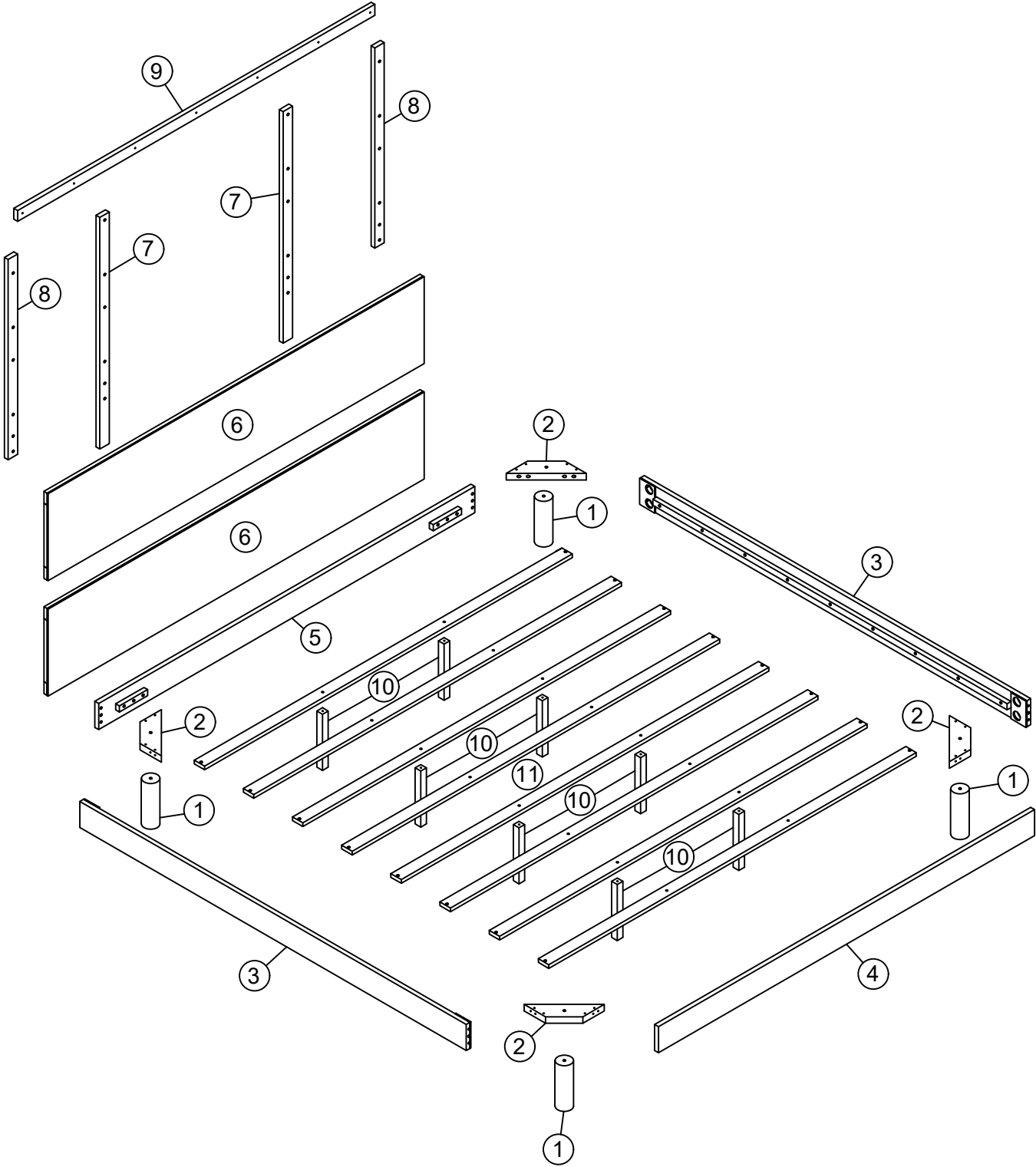
ASSEMBLY INSTRUCTIONS

KING SIZE BED



WF304325/WF304326


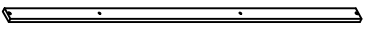
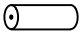
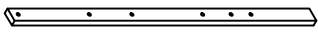

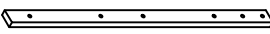


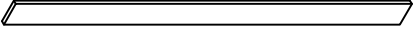
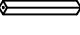
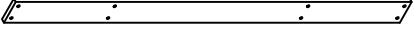
ASSEMBLY INSTRUCTIONS












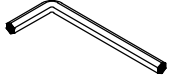



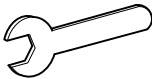
ASSEMBLY INSTRUCTIONS

PARTS LIST

WF304325

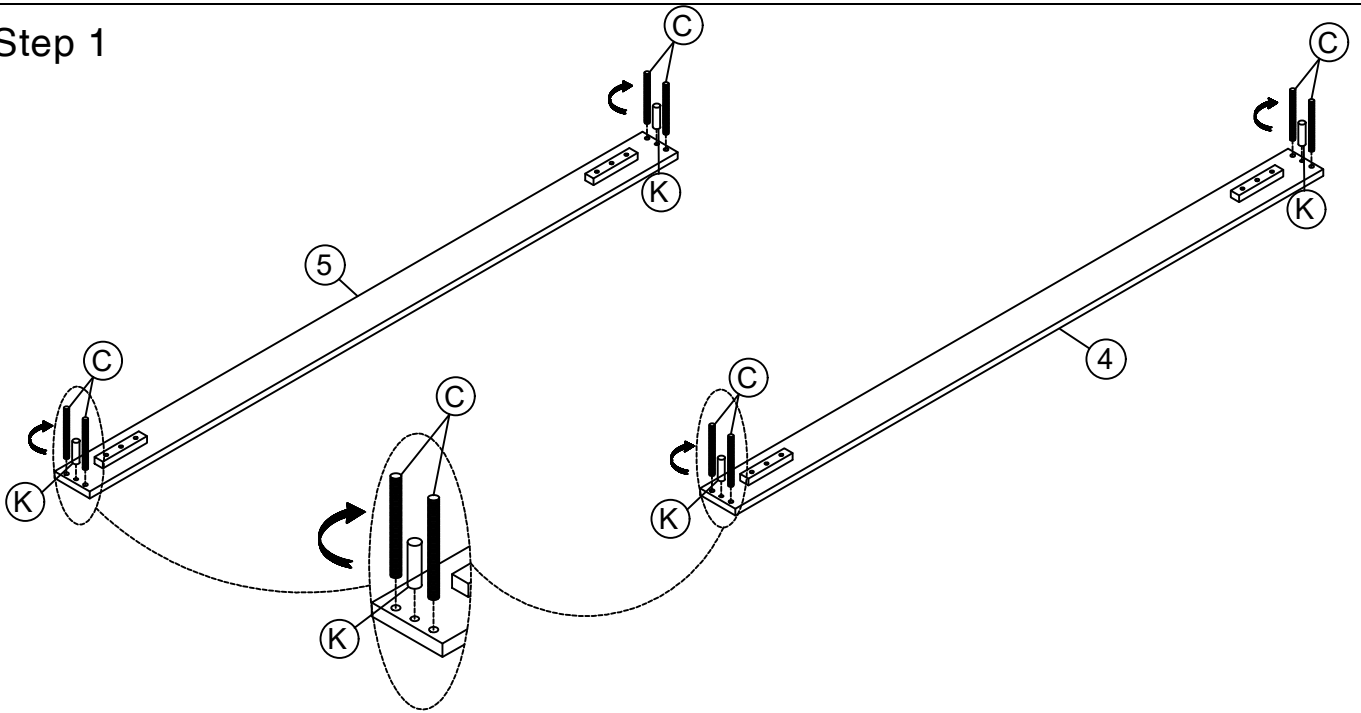
6	 Headboard panels	2pcs	11	 Slats	8pcs
WF304326					
1	 Legs	4pcs	7	 Headboard panel support	2pcs
2	 Support Legs	4pcs	8	 Headboard panel support	2pcs
3	 Side rails	2pcs	9	 Headboard panel support	1pc
4	 Headboard panel	1pc	10	 Centrer rails support legs	8pcs
5	 Headboard panel	1pc			



HARDWARE LIST (WF304326)

A	Ø4x38		32PCS	H	5/16x13		28PCS
B	Ø4x30		23PCS	I	5/16x19		28PCS
C	5/16x70		8PCS	J	5/16x6		8PCS
D	5/16x65		4PCS	K	Ø10x30		4PCS
E	5/16x35		24PCS	L	4x58		1PC
F	6.5x50		8PCS	M	1/4x25		8PCS
G			8PCS	N	12x90		1PC

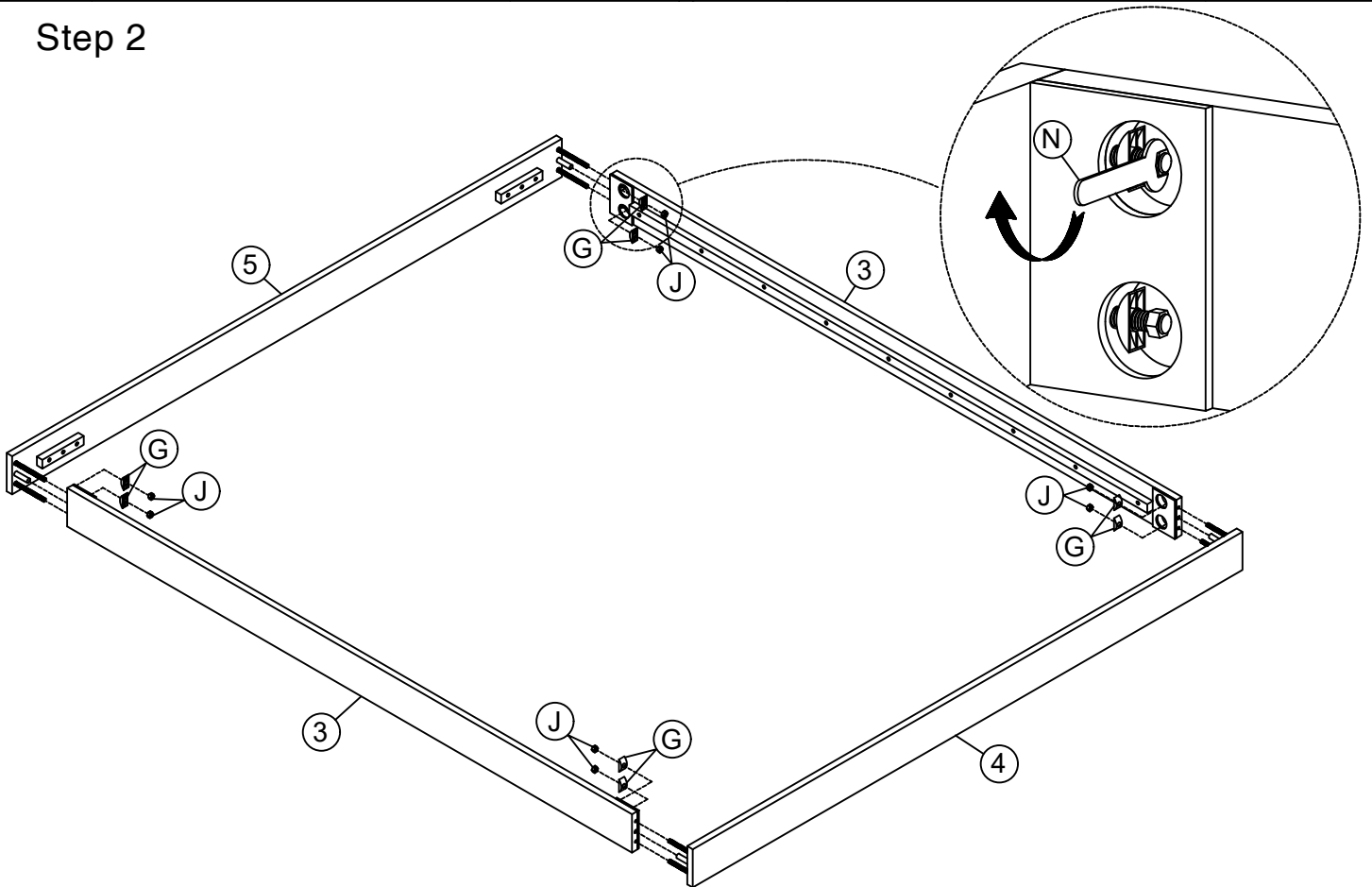
ASSEMBLY INSTRUCTIONS




Step 1



K	Ø10x30		4PCS	C	5/16x70		8PCS
----------	--------	---	------	----------	---------	---	------

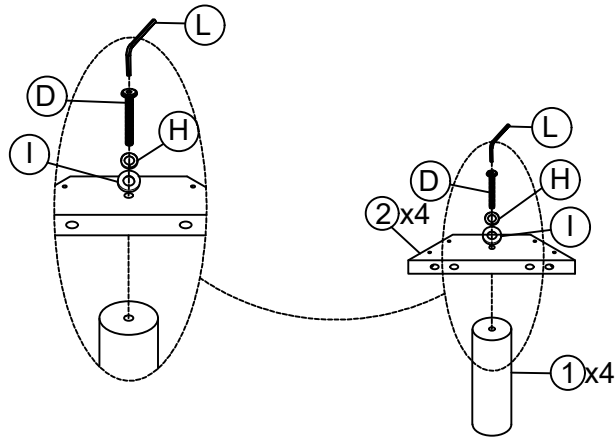
Step 2







G			8PCS	J	5/16x6		8PCS	N	12x90		1PC
----------	--	---	------	----------	--------	---	------	----------	-------	---	-----

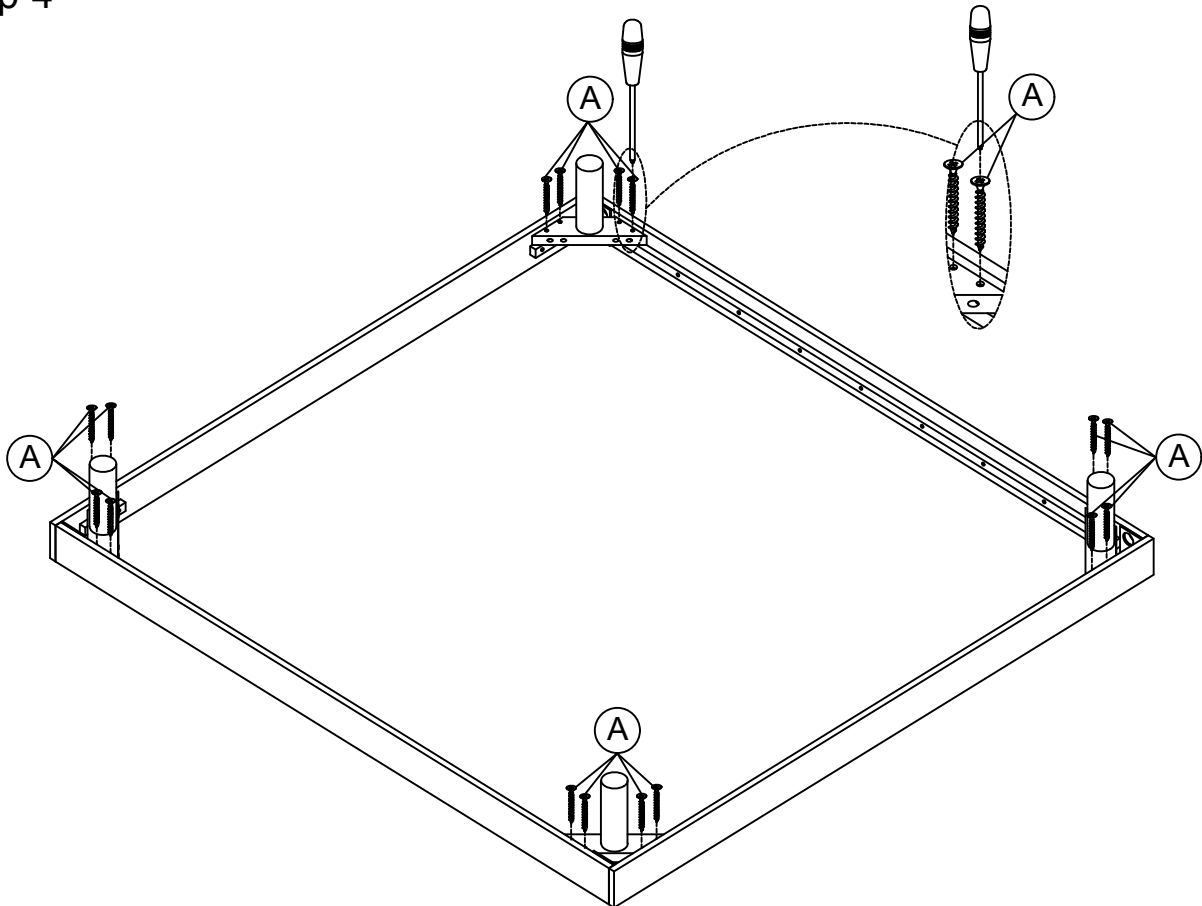
ASSEMBLY INSTRUCTIONS


Step 3



H	5/16x13		4PCS	D	5/16x65 	4PCS
I	5/16x19		4PCS	L	4x58 	1PC

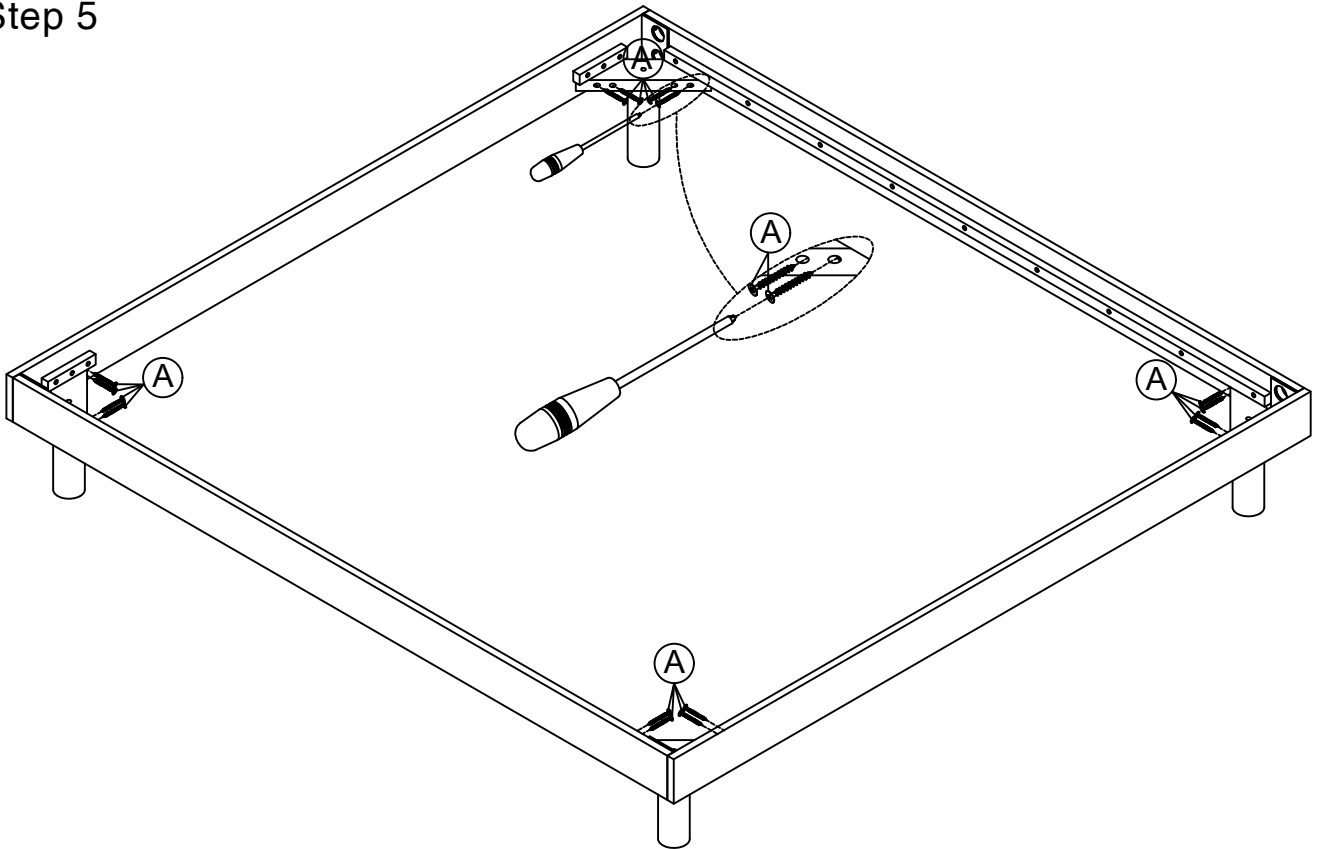
Step 4



A	Ø4x38		16PCS
----------	-------	---	-------

ASSEMBLY INSTRUCTIONS

Step 5



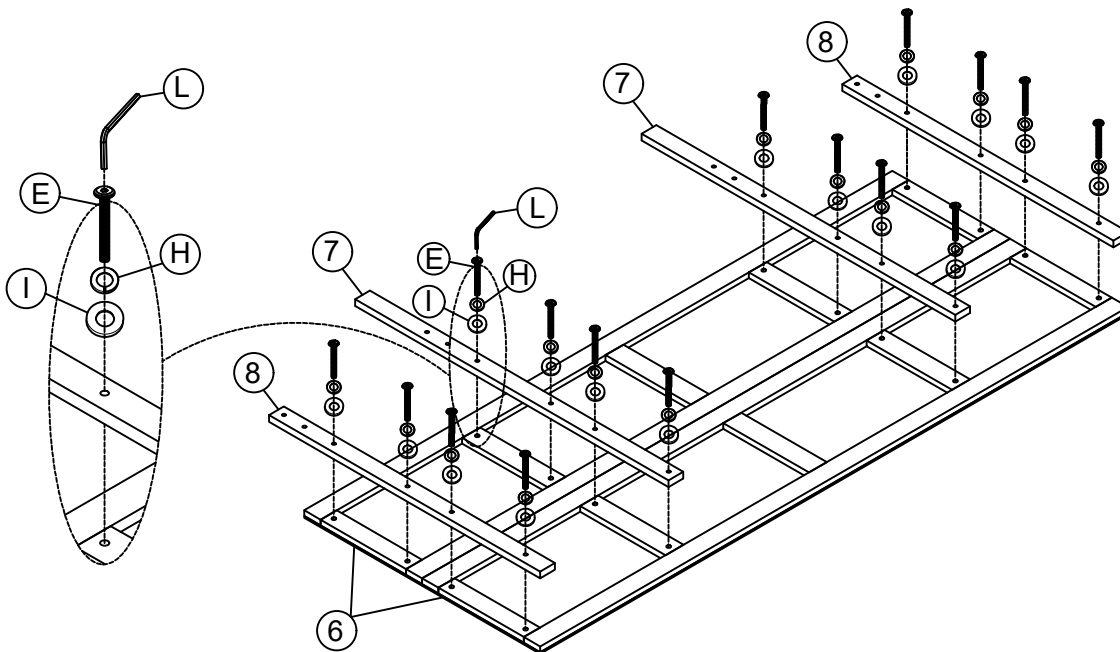
A

Ø4x38



16PCS

Step 6



H

5/16x13



16PCS

E

5/16x35



16PCS

I

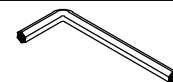
5/16x19



16PCS

L

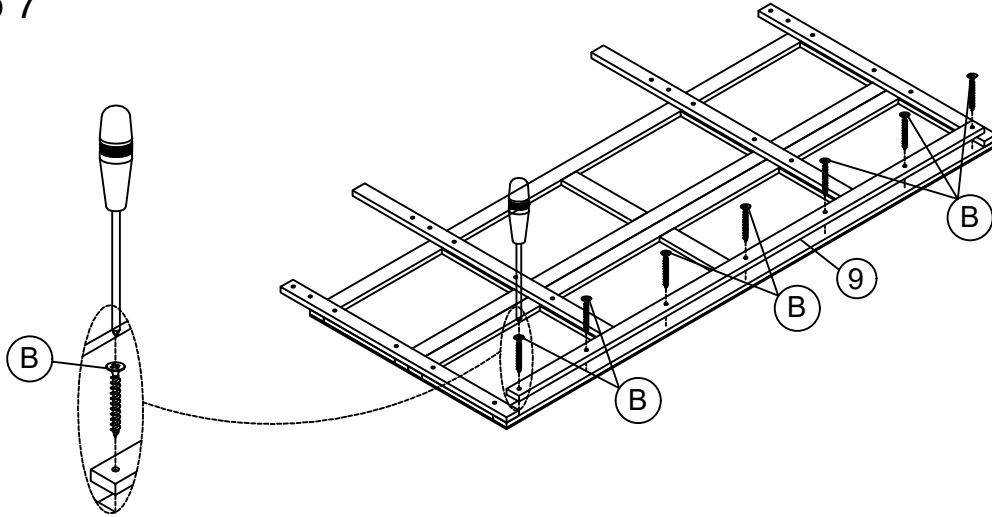
4x58




1PC

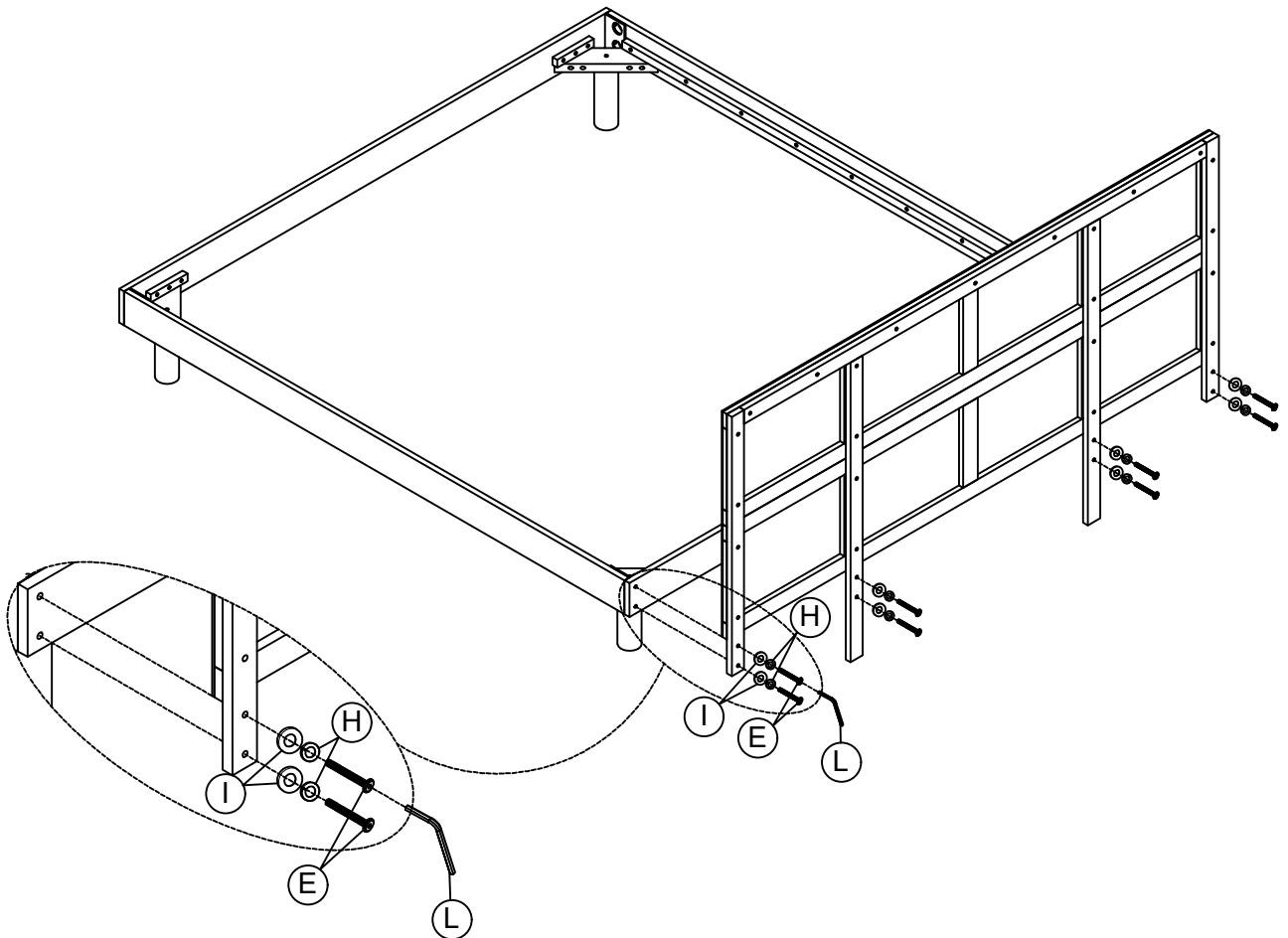
ASSEMBLY INSTRUCTIONS





Step 7



B	Ø4x30		7PCS
----------	-------	---	------

Step 8

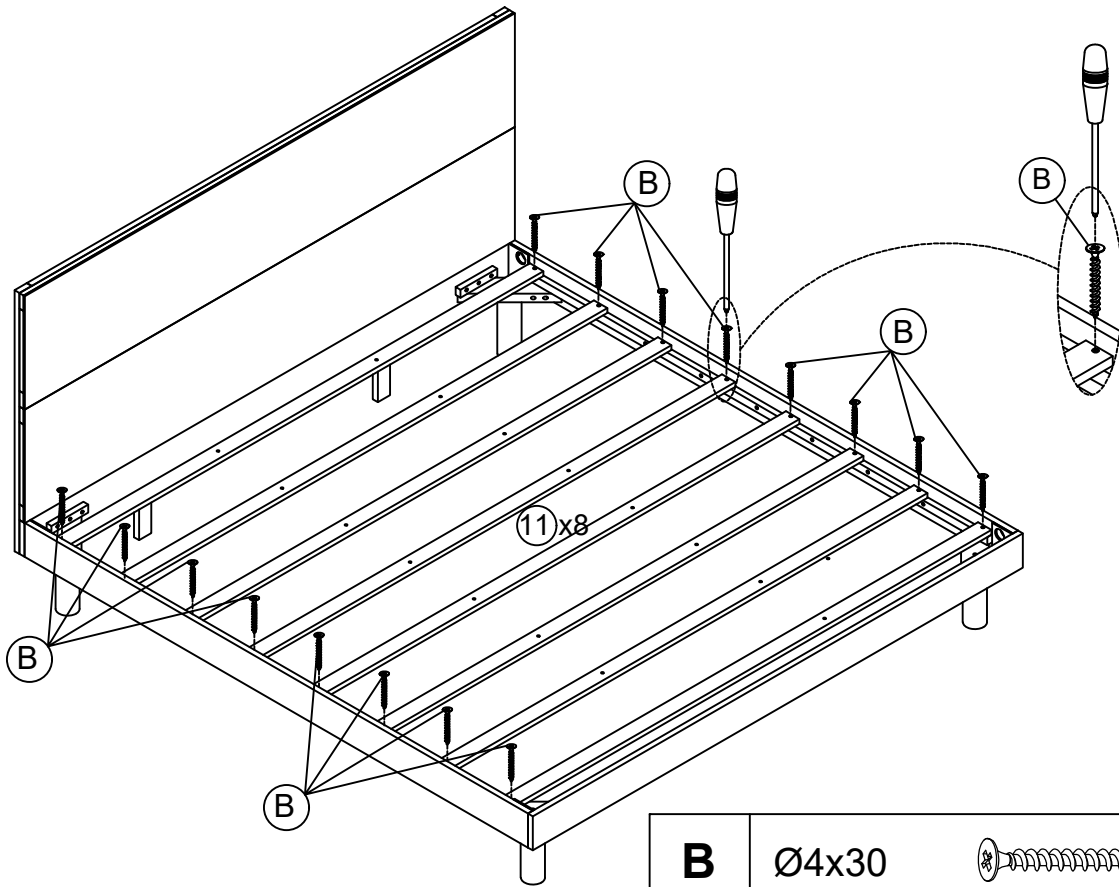


H	5/16x13		8PCS	E	5/16x35		8PCS
I	5/16x19		8PCS	L	4x58		1PC

ASSEMBLY INSTRUCTIONS

Step 9

First attach 2pcs part 11 to the front and end of the frame between headboard. Then attach the remaining part 11 equidistantly between headboard



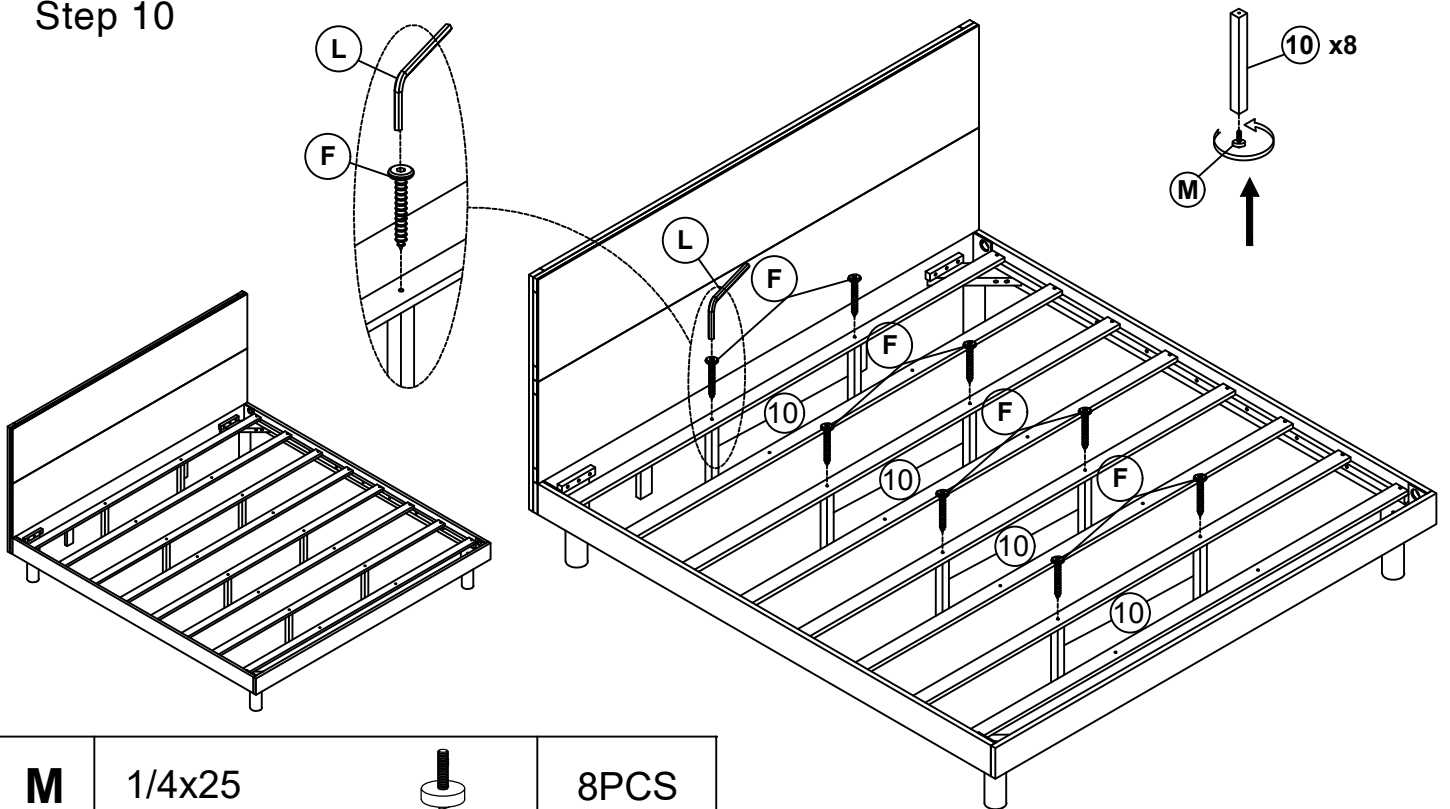
B

Ø4x30



16PCS

Step 10



M

1/4x25



8PCS

F

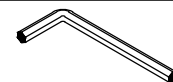
6.5x50



8PCS

L

4x58



1PC