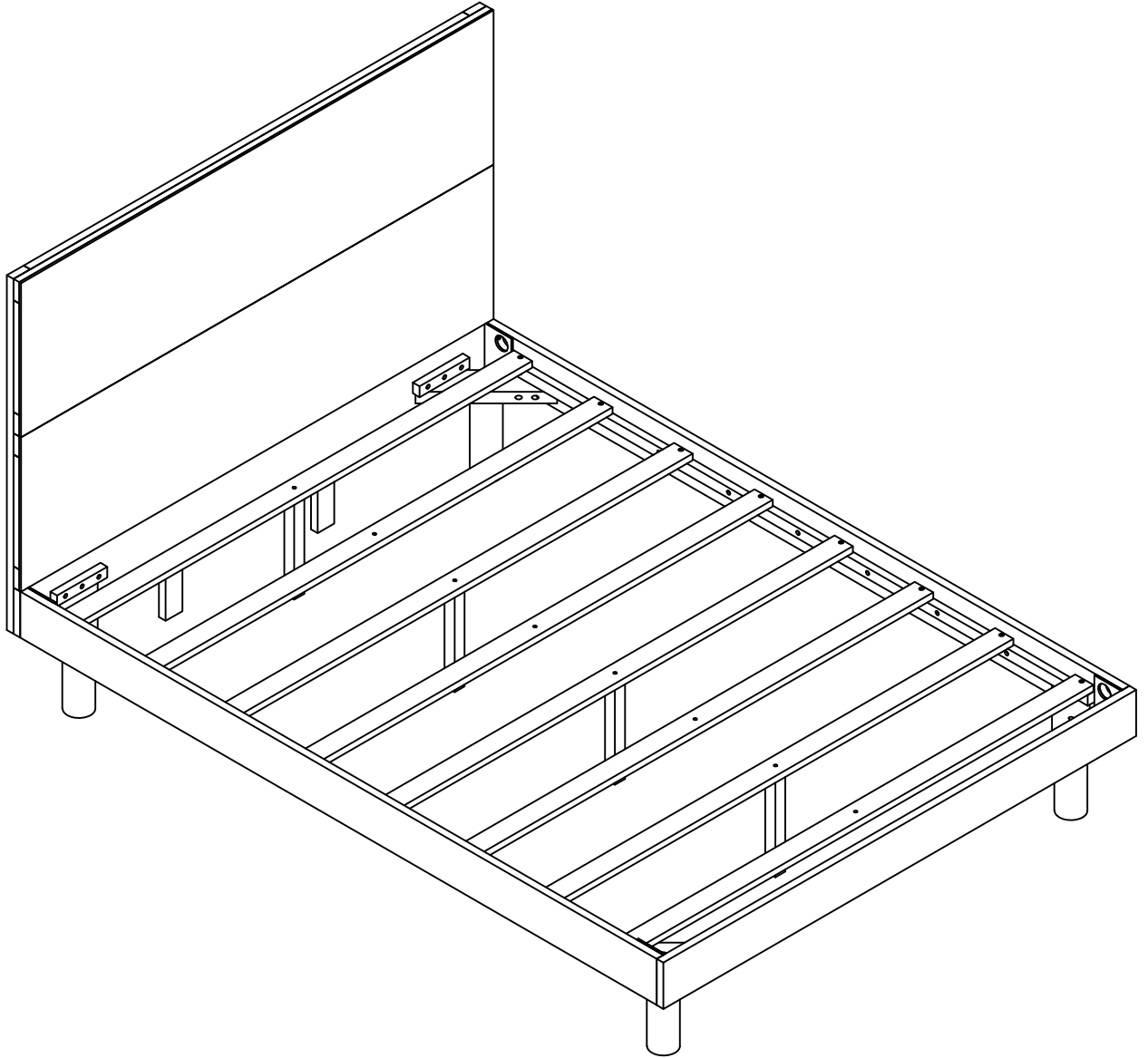


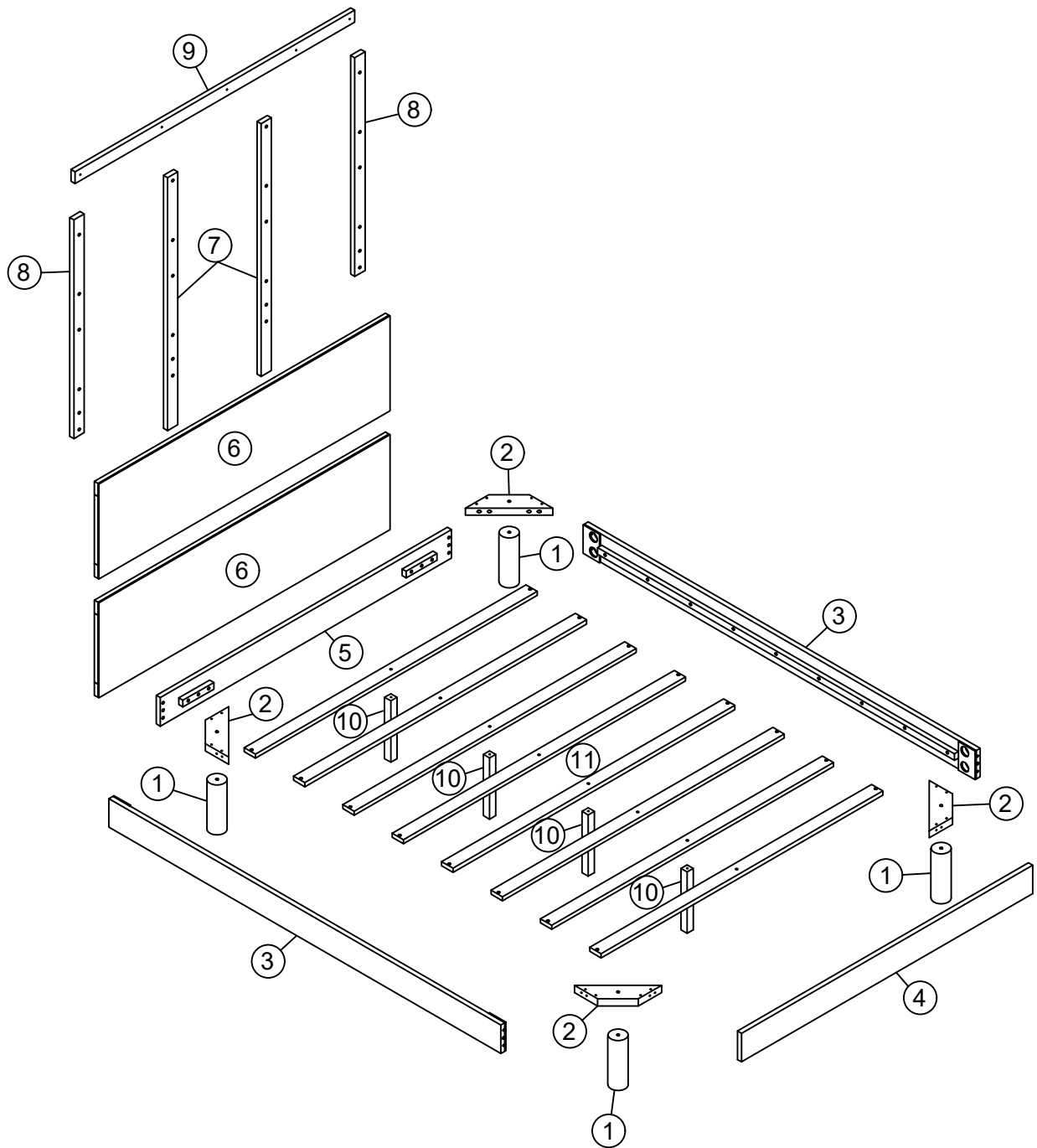
ASSEMBLY INSTRUCTIONS

FULL SIZE BED



WF304319

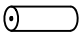
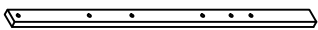
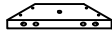
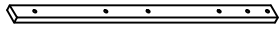

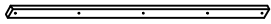
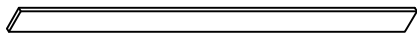
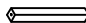
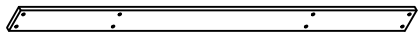


ASSEMBLY INSTRUCTIONS









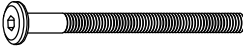

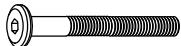





ASSEMBLY INSTRUCTIONS

PARTS LIST

WF304319

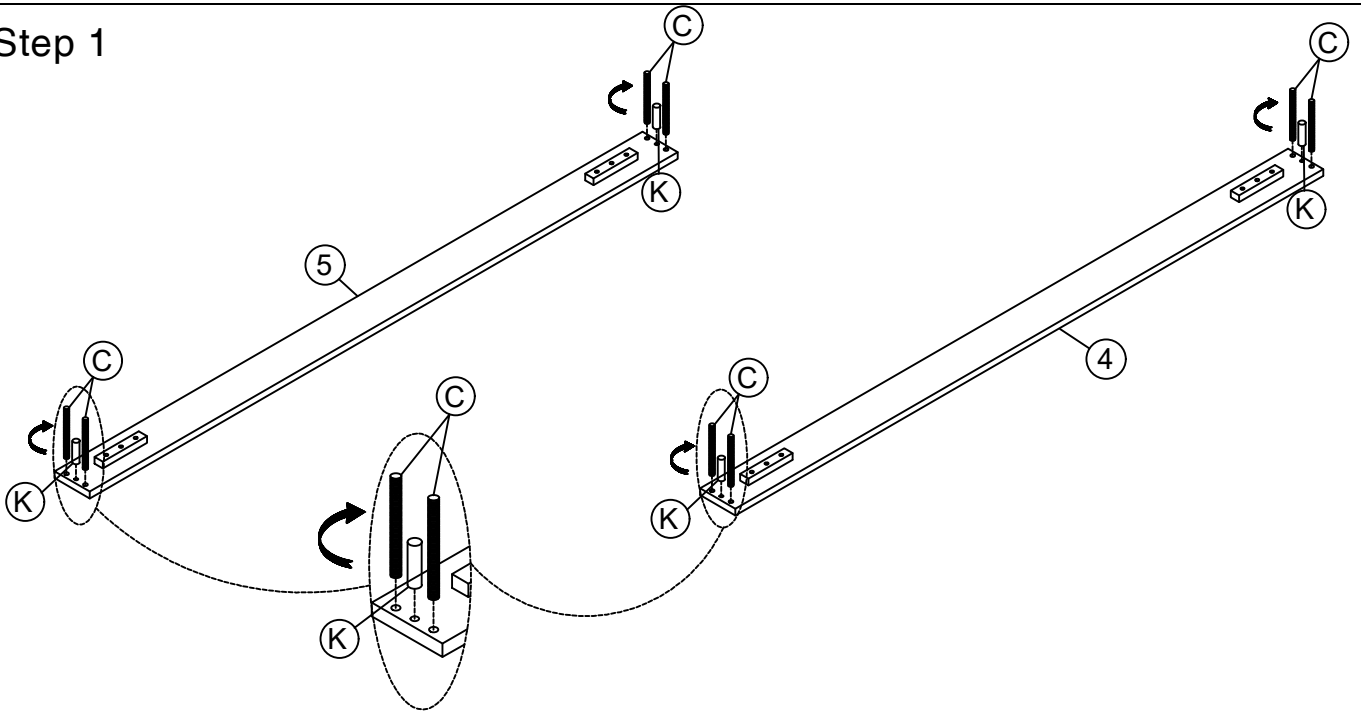
1	Legs 	4pcs	7	Headboard panel support 	2pcs
2	Support Legs 	4pcs	8	Headboard panel support 	2pcs
3	Side rails 	2pcs	9	Headboard panel support 	1pc
4	Headboard panel 	1pc	10	Centrer rails support legs 	4pcs
5	Headboard panel 	1pc	11	Slats 	8pcs
6	Headboard panels 	2pcs			



HARDWARE LIST (WF304319)

A	Ø4x38 	32PCS	H	5/16x13 	28PCS
B	Ø4x30 	21PCS	I	5/16x19 	28PCS
C	5/16x70 	8PCS	J	5/16x6 	8PCS
D	5/16x65 	4PCS	K	Ø10x30 	4PCS
E	5/16x35 	24PCS	L	4x58 	1PC
F	6.5x50 	4PCS	M	1/4x25 	4PCS
G		8PCS	N	12x90 	1PC

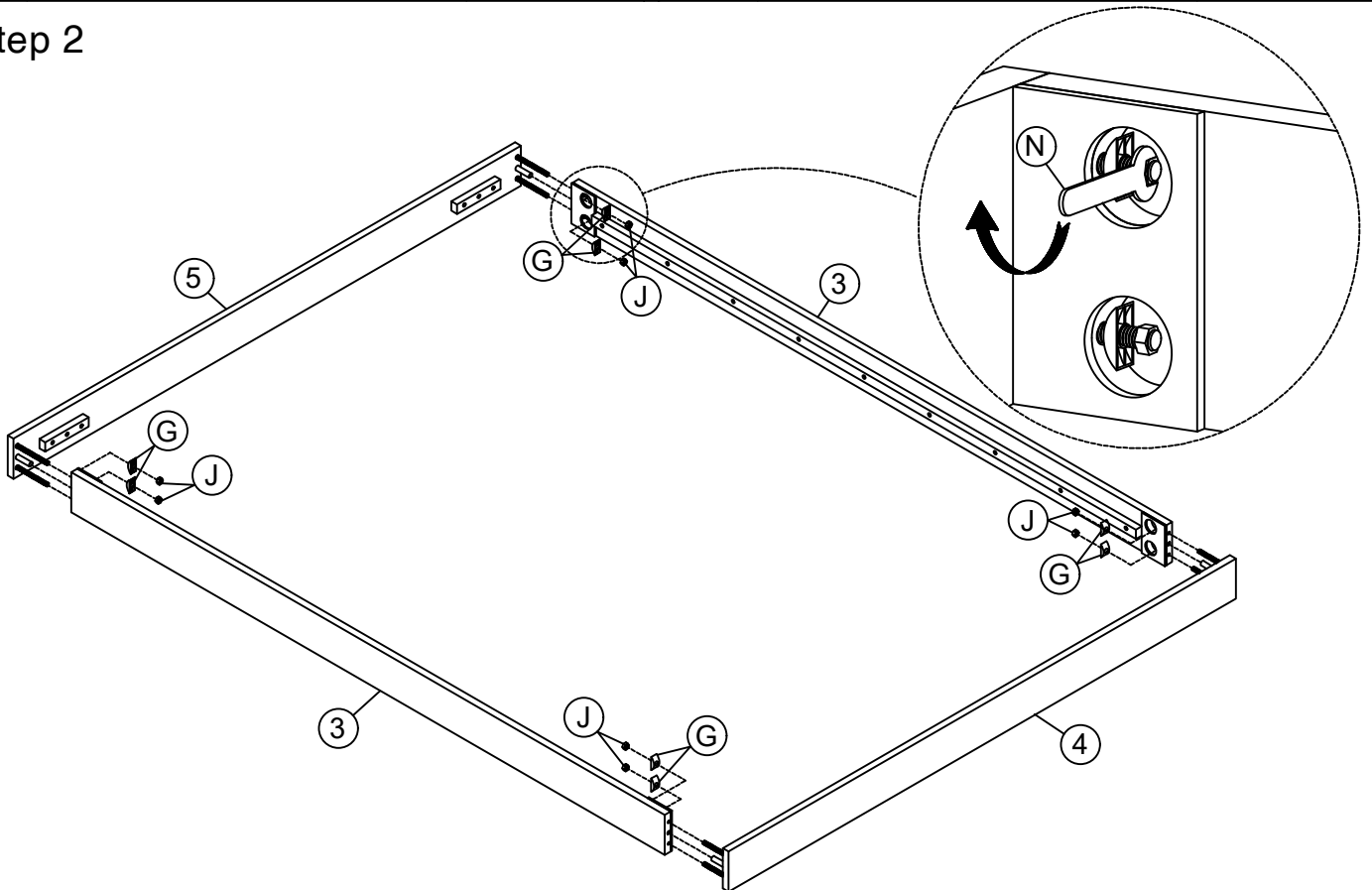
ASSEMBLY INSTRUCTIONS




Step 1



K	Ø10x30		4PCS	C	5/16x70		8PCS
----------	--------	---	------	----------	---------	---	------

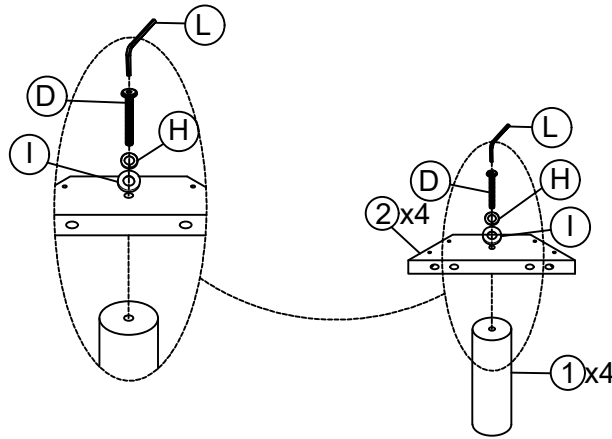
Step 2







G			8PCS				
J	5/16x6		8PCS	N	12x90		1PC

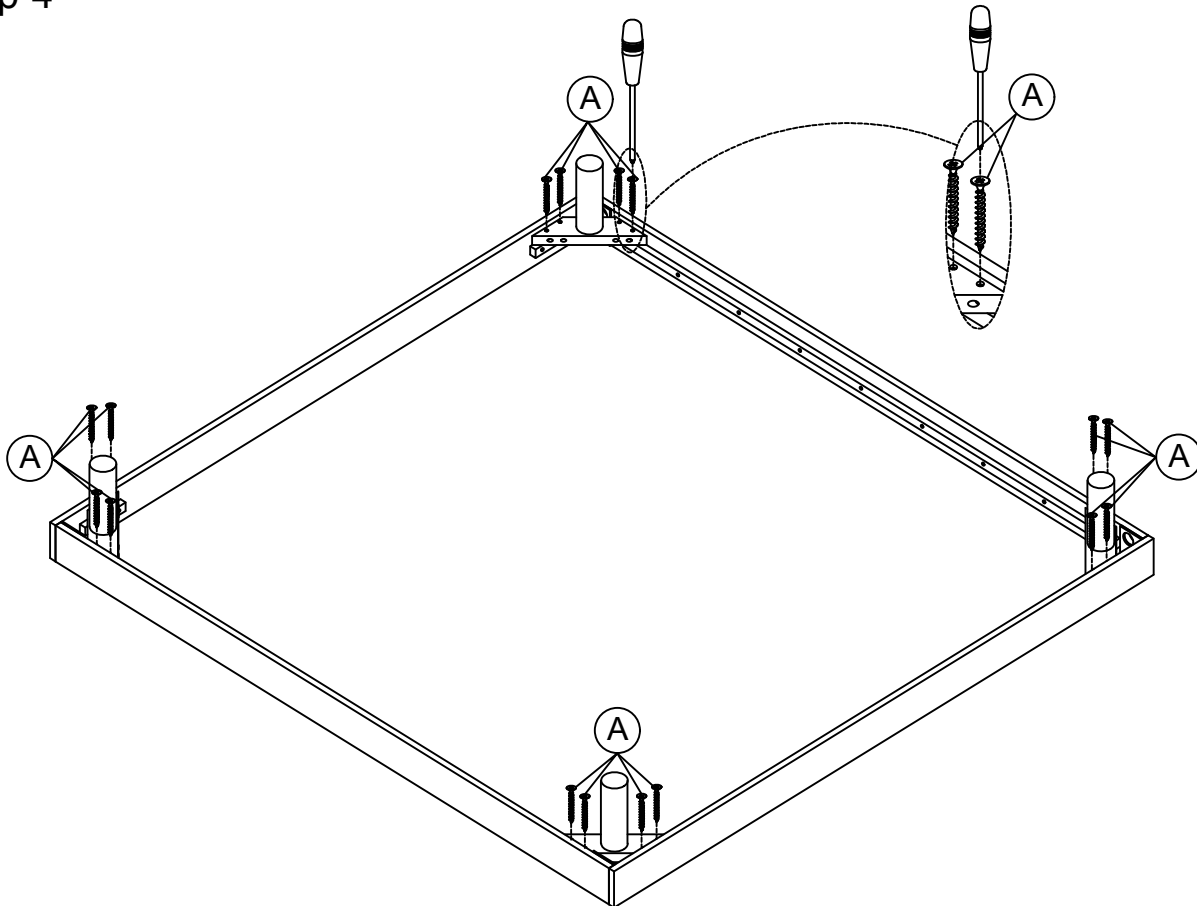
ASSEMBLY INSTRUCTIONS


Step 3



H	5/16x13		4PCS	D	5/16x65 	4PCS
I	5/16x19		4PCS	L	4x58 	1PC

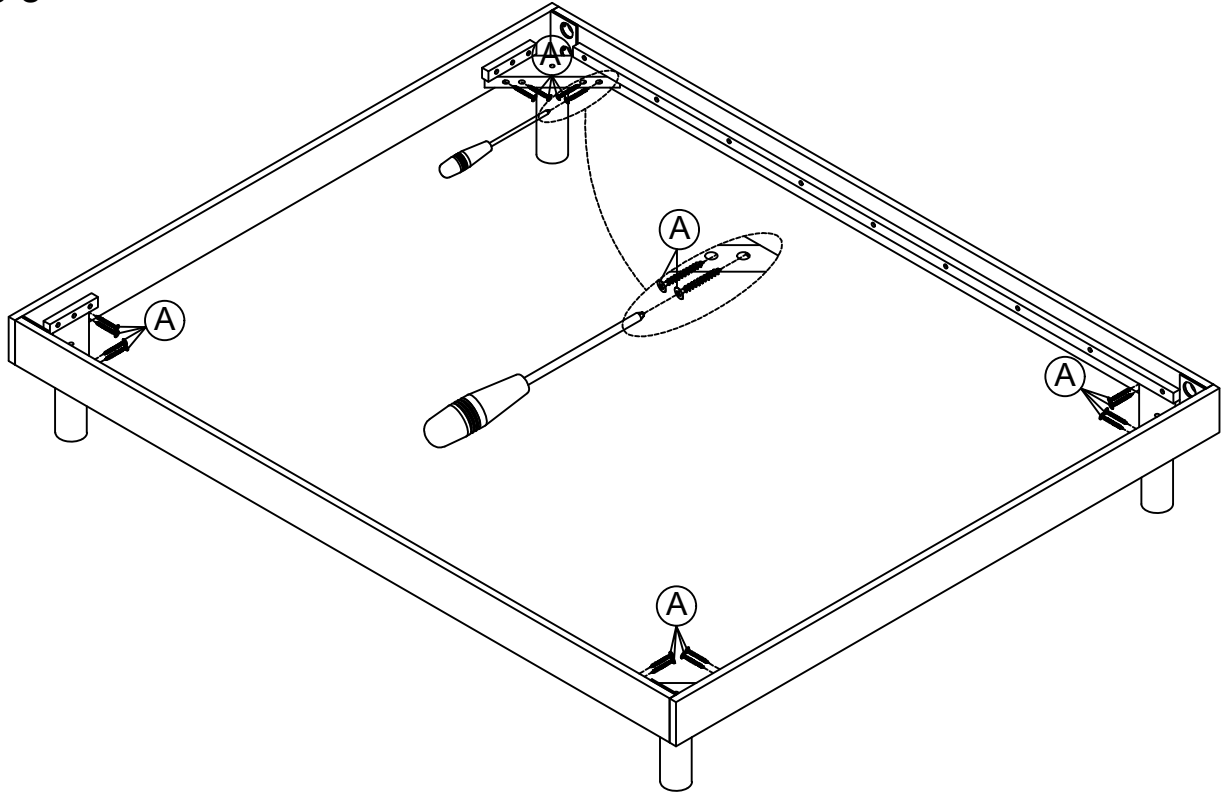
Step 4



A	Ø4x38		16PCS
----------	-------	---	-------

ASSEMBLY INSTRUCTIONS

Step 5



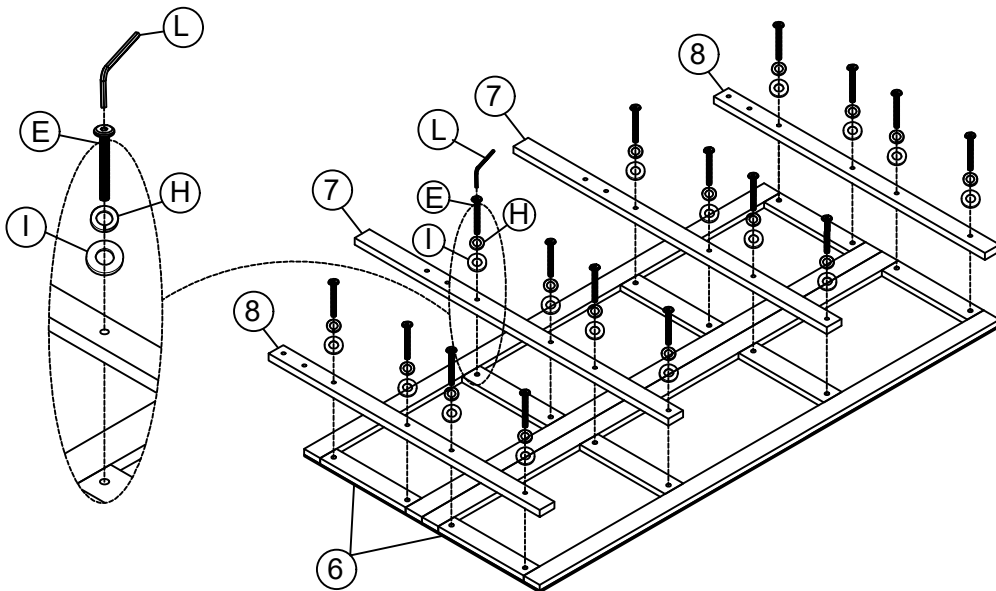
A

Ø4x38



16PCS

Step 6



H

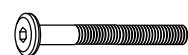
5/16x13



16PCS

E

5/16x35



16PCS

I

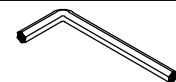
5/16x19



16PCS

L

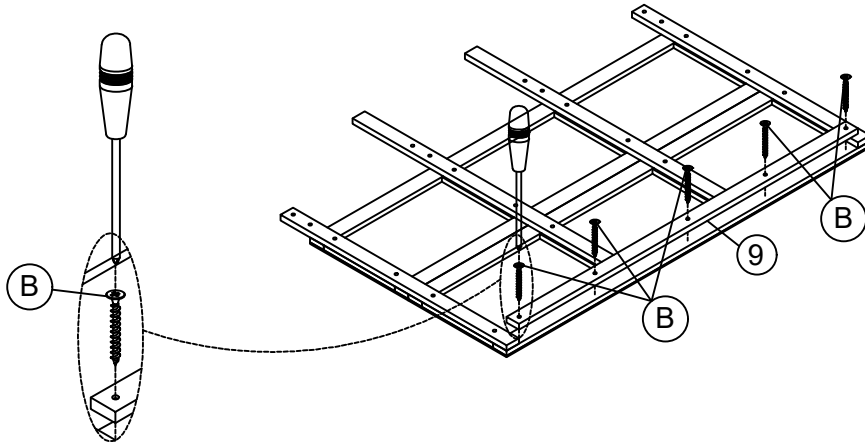
4x58



1PC

ASSEMBLY INSTRUCTIONS

Step 7



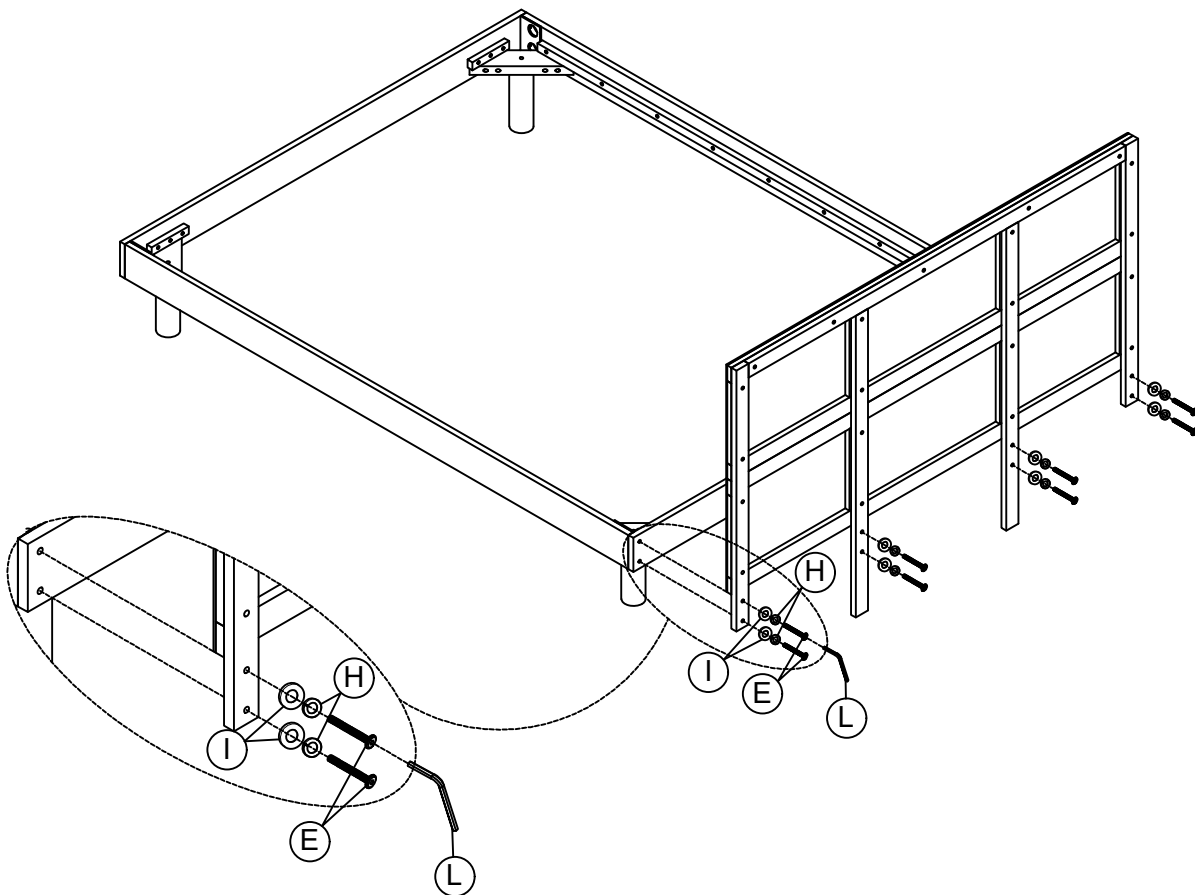
B

Ø4x30



5PCS

Step 8



H

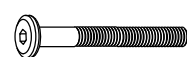
5/16x13



8PCS

E

5/16x35



8PCS

I

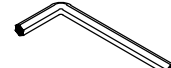
5/16x19



8PCS

L

4x58

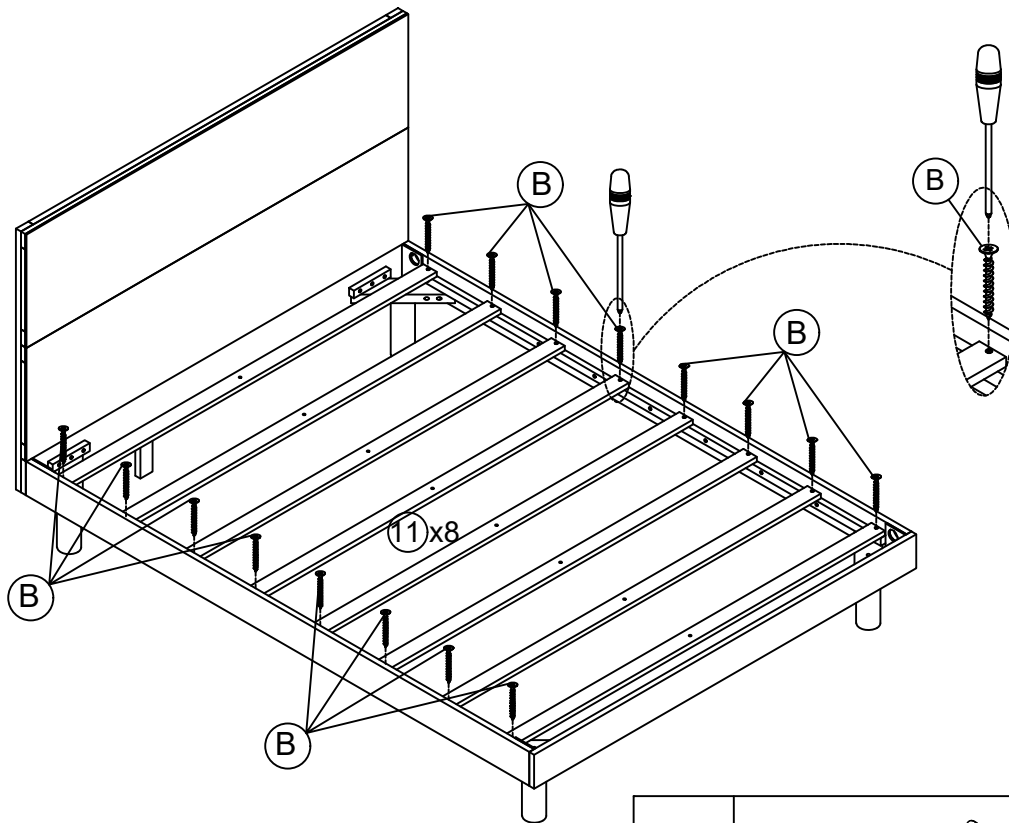


1PC

ASSEMBLY INSTRUCTIONS

Step 9

First attach 2pcs part 11 to the front and end of the frame between headboard. Then attach the remaining part 11 equidistantly between headboard



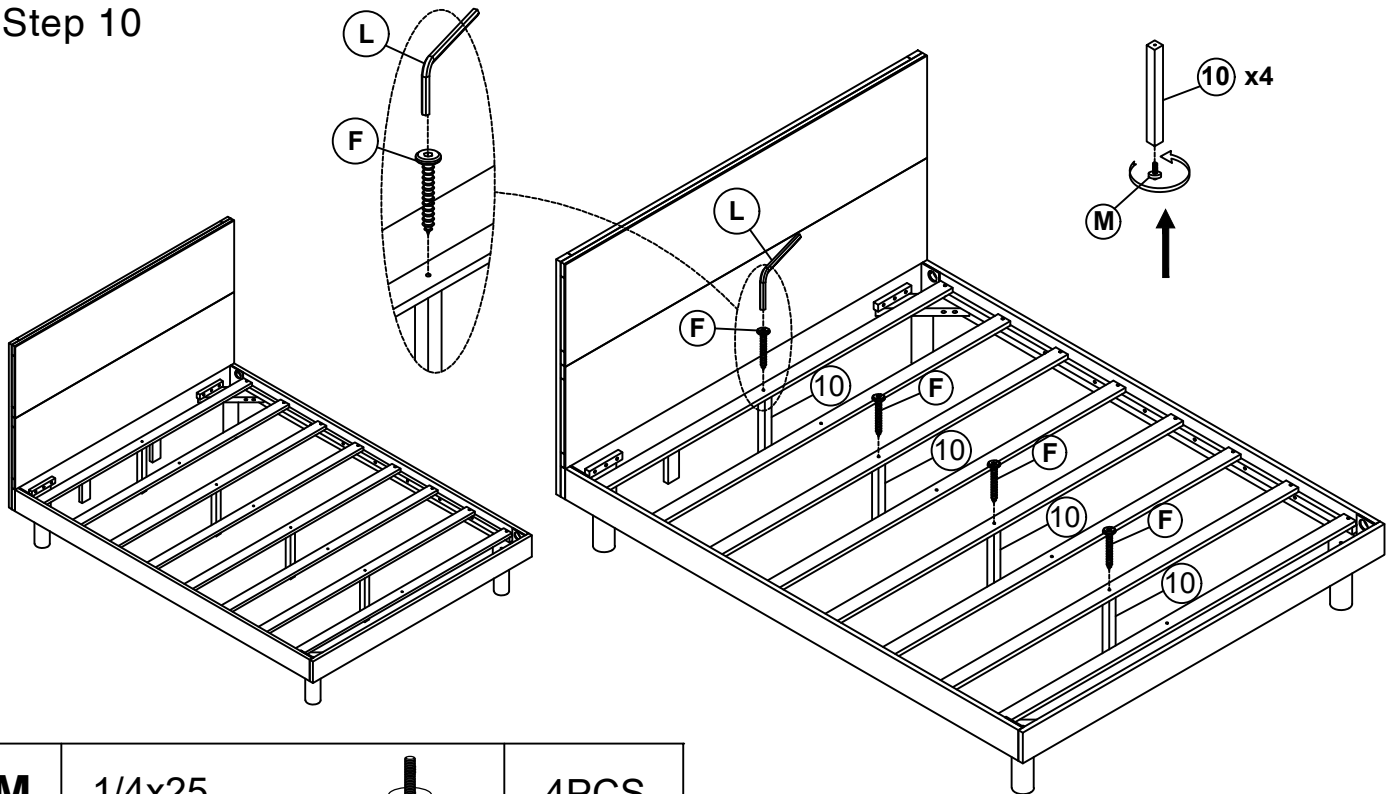
B

Ø4x30



16PCS

Step 10



M

1/4x25



4PCS

F

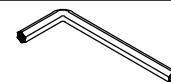
6.5x50



4PCS

L

4x58



1PC