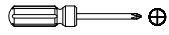


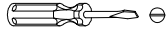
ASSEMBLY INSTRUCTIONS

Rattan Nightstand Item# WF303222

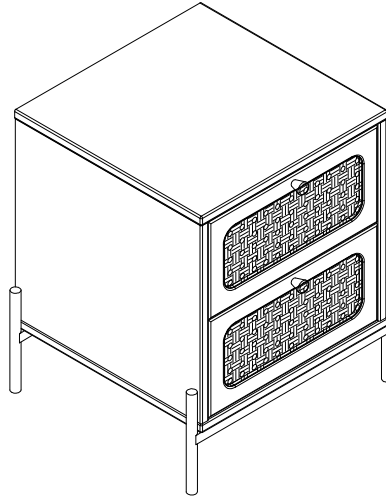
Tools Required
(Not Provided)



Phillips Screwdriver



Flat Screwdriver



SAFETY PRECAUTION

1. KEEP ALL HARDWARE PARTS OUT OF REACH OF CHILDREN.
2. DISPOSE PLASTIC PACKAGING MATERIAL IMMEDIATELY TO AVOID ANY RISK OF SUFFOCATION TO CHILDREN AND ANIMALS.

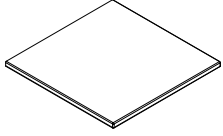
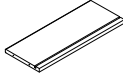
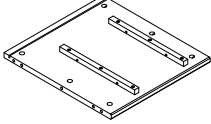
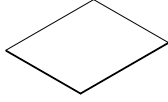
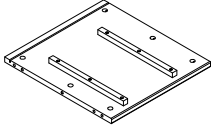
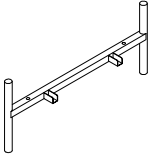
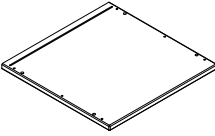
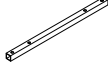
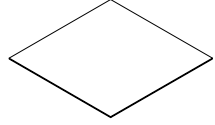
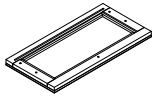
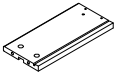
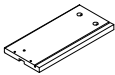
TIPS FOR ASSEMBLY

1. Allow ample room for assembly and assemble the product near where product will be placed.
2. Assemble the product on a surface that does not scratch or damage the exterior gloss and finish of the furniture.
3. Identify all of the parts, hardware and quantities required for each step.
4. During assembly, do not over-tighten any fittings as this may cause damage.
5. DO NOT USE POWER TOOLS TO ASSEMBLE THIS PRODUCT.
6. Always place the product on a flat, level surface.
7. Do not sit or stand on the partially assembled product; only use the product for which it is intended.

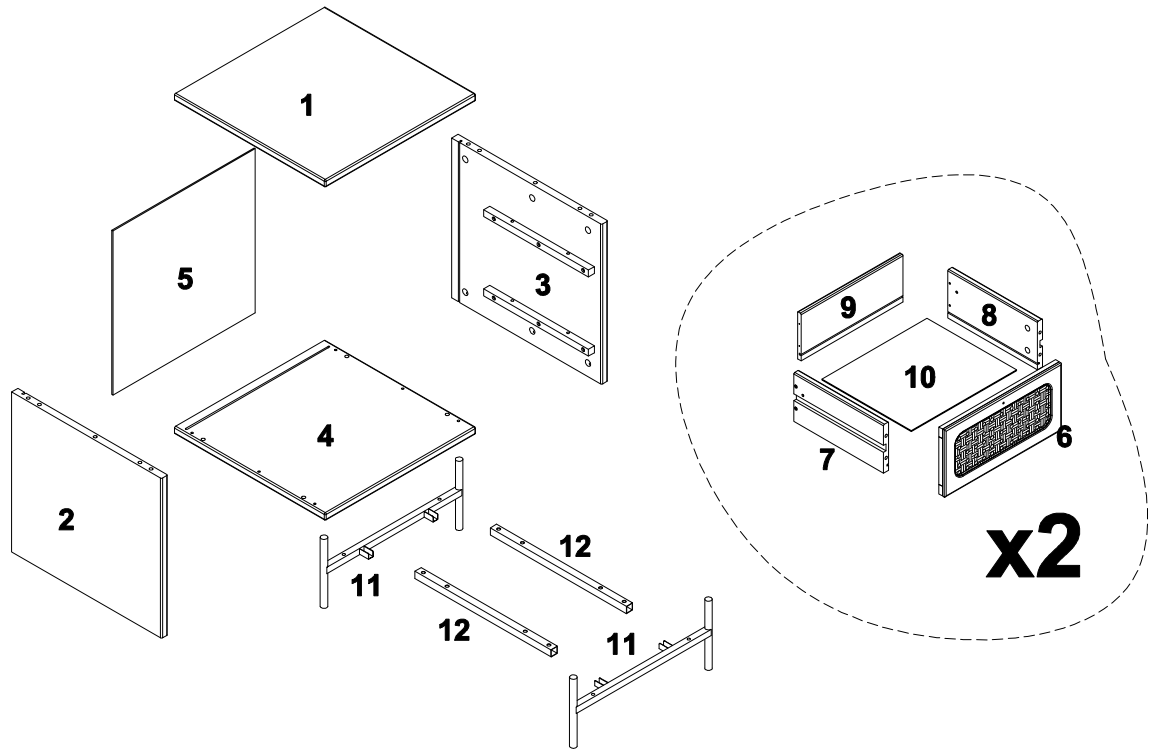
CARE AND MAINTENANCE

- Use a slightly damp cloth to clean the product. Do not use bleach or abrasive cleaning material.
- Check all the fittings periodically and re-tighten as necessary. Do not use the product if any of the parts is damaged or broken.
- Never allow any kind of liquid to remain on your furniture. Absorption can cause wood to warp or delaminate.
- Do not place hot items (e.g. hot drinks) directly onto the wood surface.
- Do not drag and/or pull the furniture.

Parts List

ITEM	DESCRIPTION	PART	QTY	ITEM	DESCRIPTION	PART	QTY
1	Top Panel		1pc	9	Drawer Back Panel		2pcs
2	Left Frame		1pc	10	Drawer Bottom Panel		2pcs
3	Right Frame		1pc	11	Metal Leg		2pcs
4	Bottom Panel		1pc	12	Metal Bottom Bar		2pcs
5	Back Panel		1pc				
6	Drawer Front Panel		2pcs				
7	Drawer Left Panel		2pcs				
8	Drawer Right Panel		2pcs				

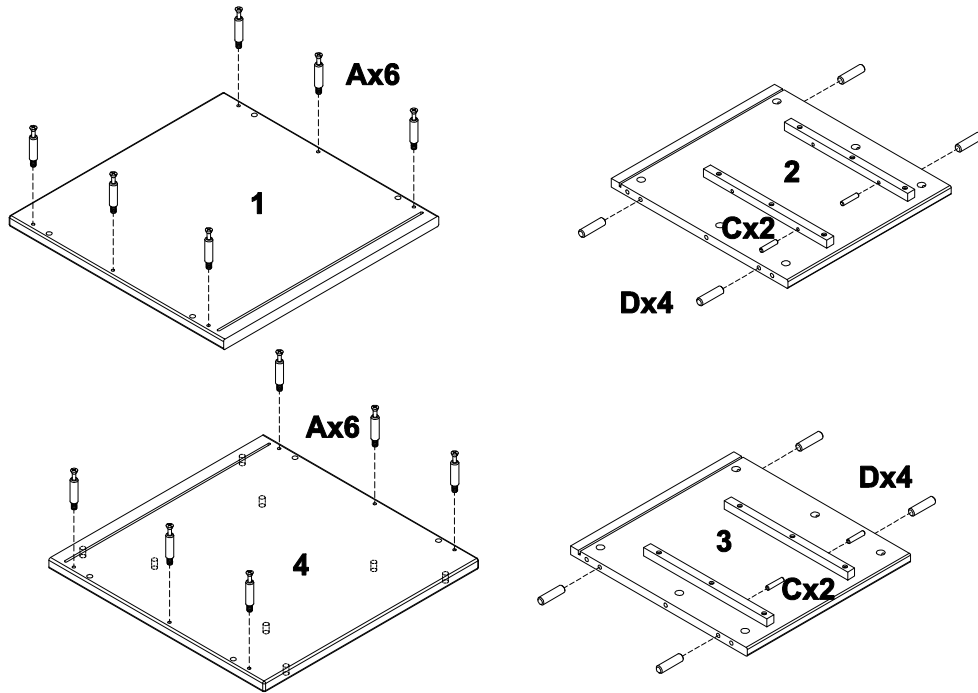
Parts Assembly Overview



Hardware List

ITEM	DESCRIPTION	HARDWARE	QTY	ITEM	DESCRIPTION	HARDWARE	QTY
A	Cam-bolt		20pcs	G	Screw	 3.5*30mm	8pcs
B	Cam-lock		20pcs	H	Handle		2pcs
C	Wood Dowel	 6*40mm	8pcs	I	Screw		2pcs
D	Wood Dowel	 8*30mm	8pcs	J	Screw	 M6*15	4pcs
E	Backply Stopper		4pcs	K	Screw	 M6*30	8pcs
F	Screw	 3*20mm	4pcs	L	Allen Key		1pc

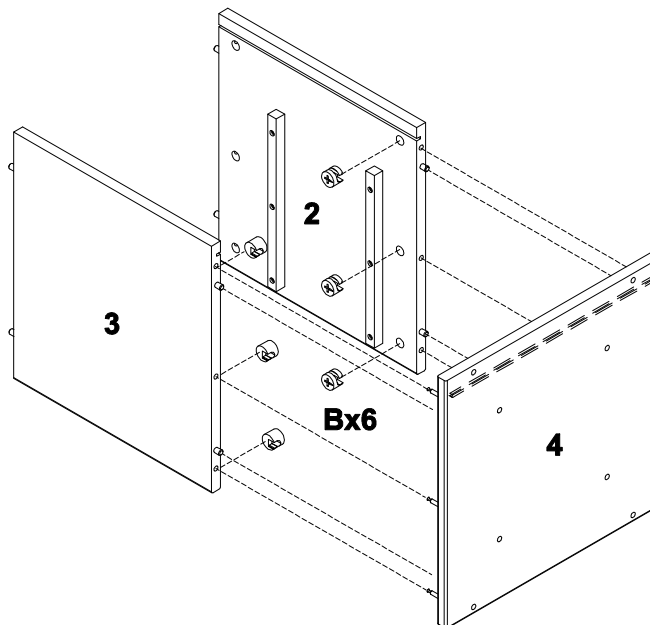
STEP 1



a) Lay Top Panel (1) flat down with bottom-side facing up. Screw in Cam-bolt (A) into designated holes as shown. Same operations to Bottom Panel (4).

b) Insert both Wood Dowel (C) and Wood Dowel (D) into designated holes on Left Frame (2) and Right Frame (3).

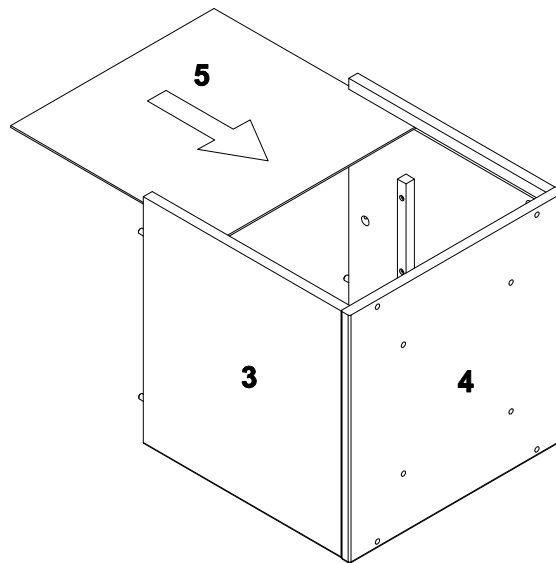
STEP 2



a) Attach Bottom Panel (4) to Left Frame (2) and Right Frame (3).

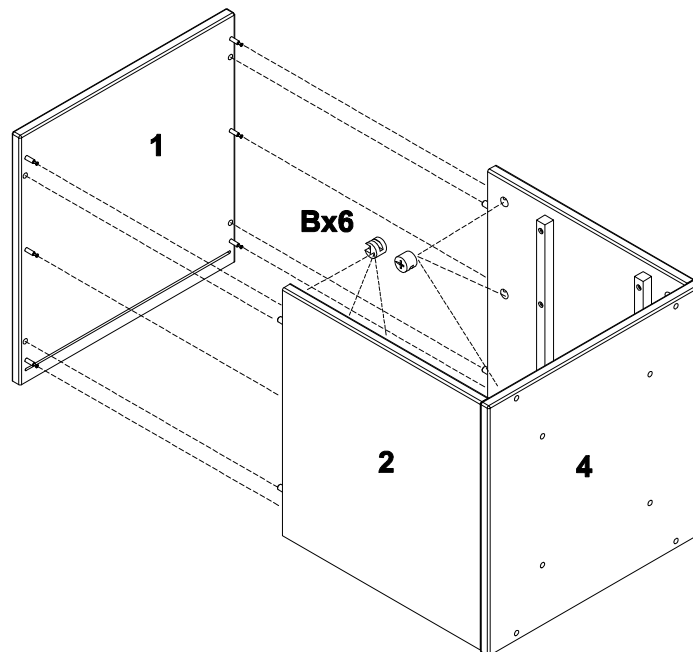
b) Insert Cam-lock (B) into the designated hole on (2) & (3) and then turn clockwise to lock onto Cam-bolt.

STEP 3



a) Fit Back Panel (5) by inserting edges into groove as shown above.

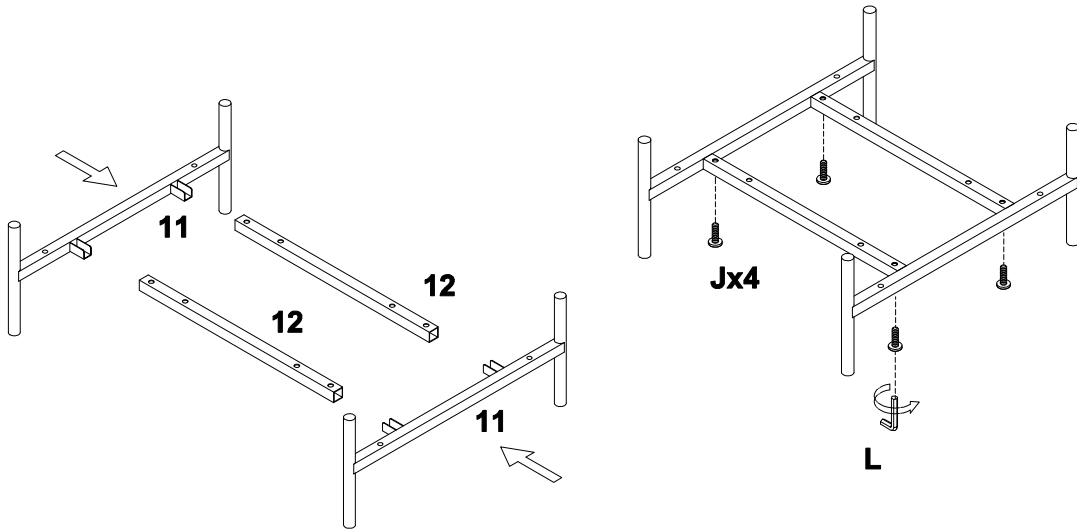
STEP 4



a) Attach Top Panel (1) to Left Frame (2) and Right Frame (3).

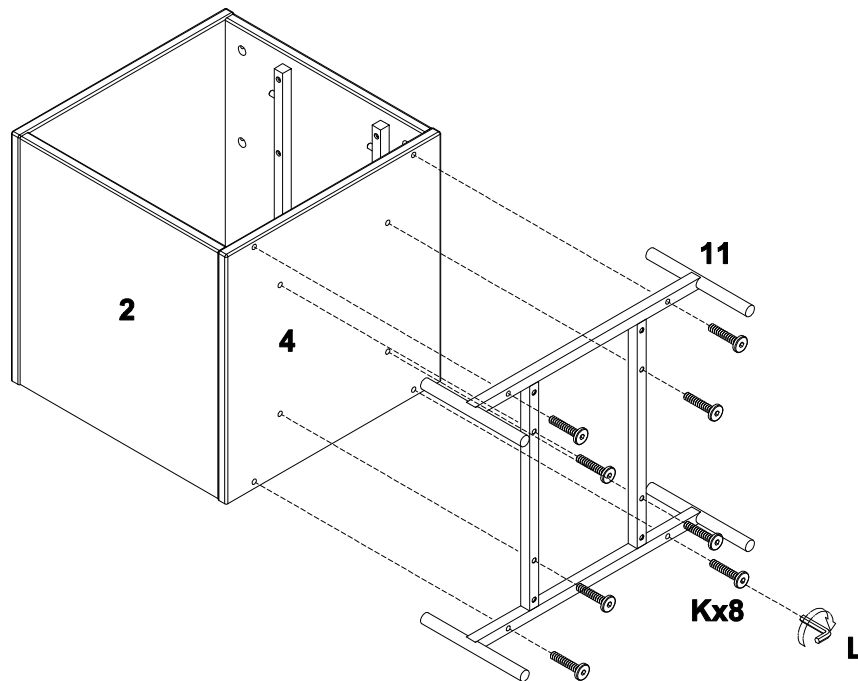
b) Insert Cam-lock (B) into the designated hole on (2) & (3) and then turn clockwise to lock onto Cam-bolt.

STEP 5



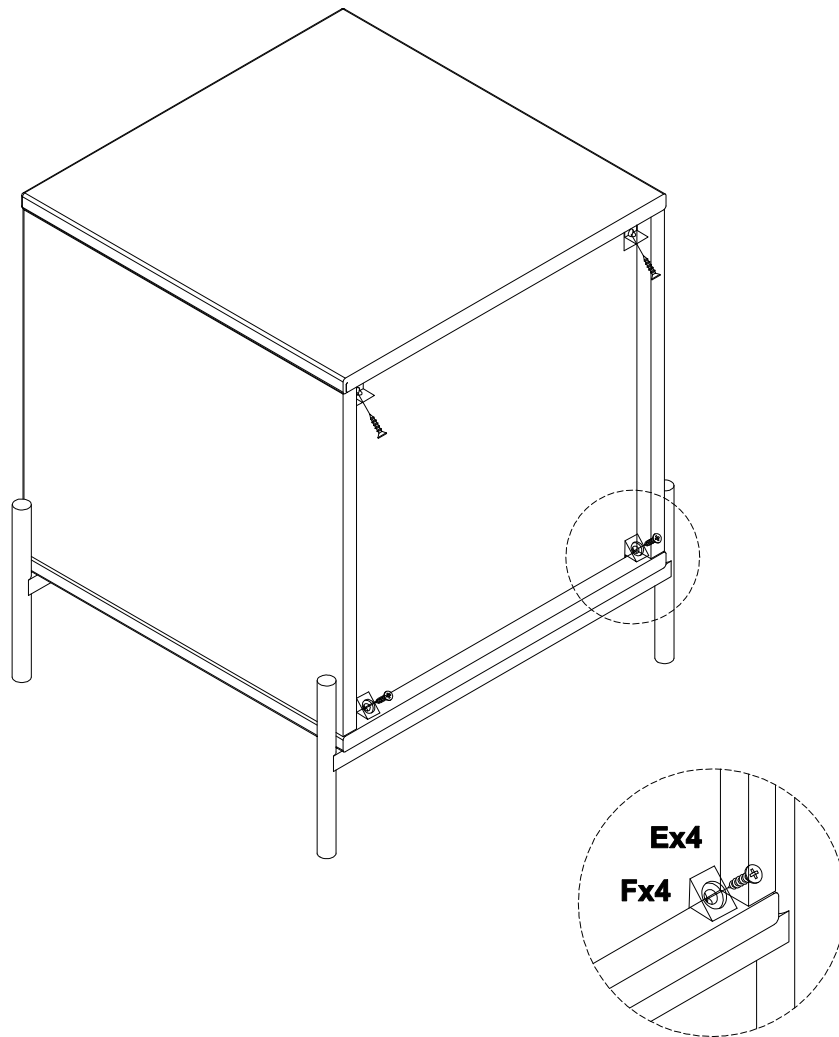
- a) Inset Metal Bottom Bar (12) into Metal Leg (11).
- b) Lock 11 & 12 with Screw (J) by Allen Key (L).

STEP 6



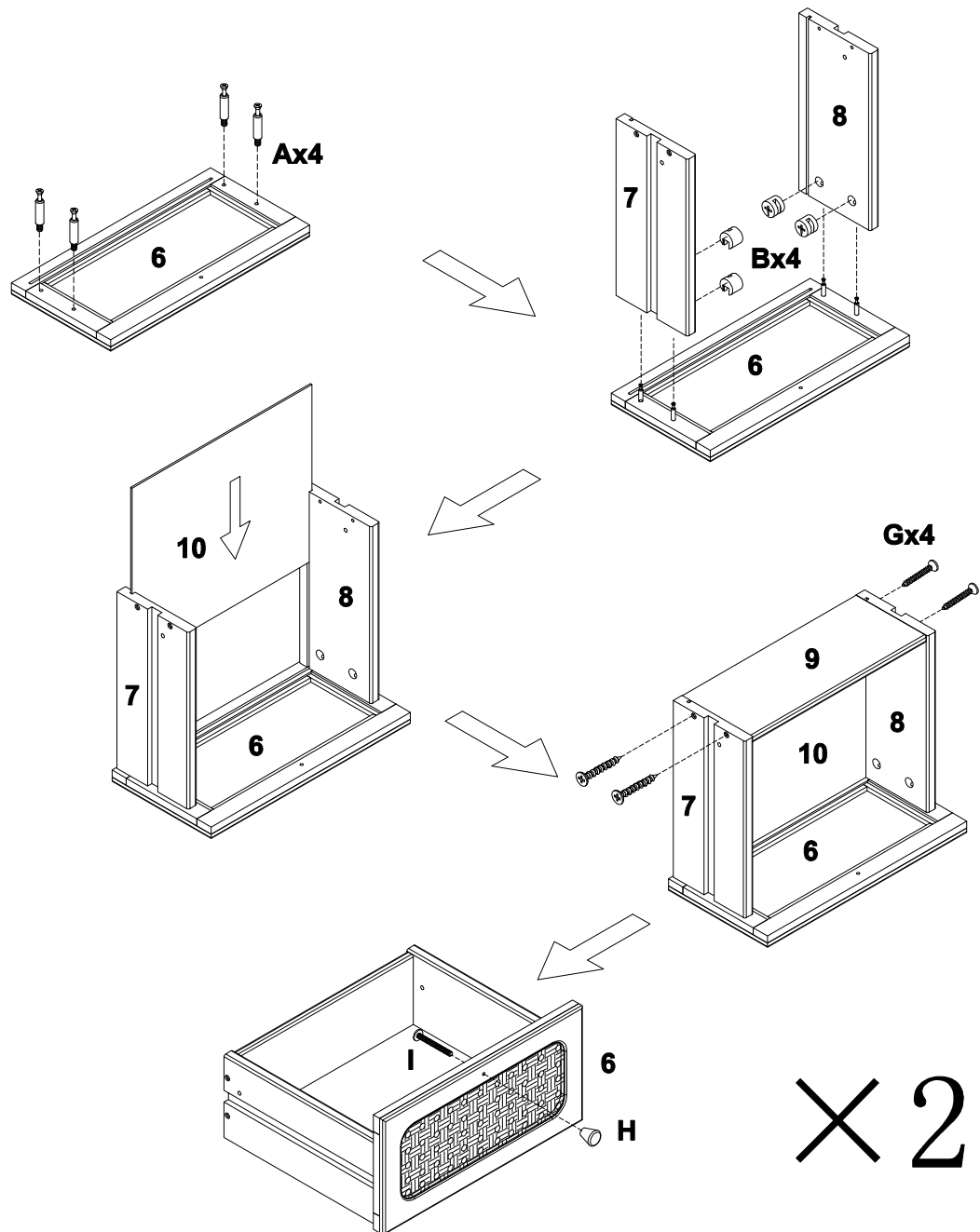
- a) Attach Metal Leg frame to Bottom Panel (4).
- b) Lock the two parts with Screw (K) by Allen Key (L).

STEP 7



a) Insert Backply Stopper (E) at each corner as shown to fit into the groove and fasten E with Screw (F).

STEP 8



a) Lay Drawer Front Panel (6) bottom-side facing up, screw in Cam-bolt (A) into the designated holes as shown.

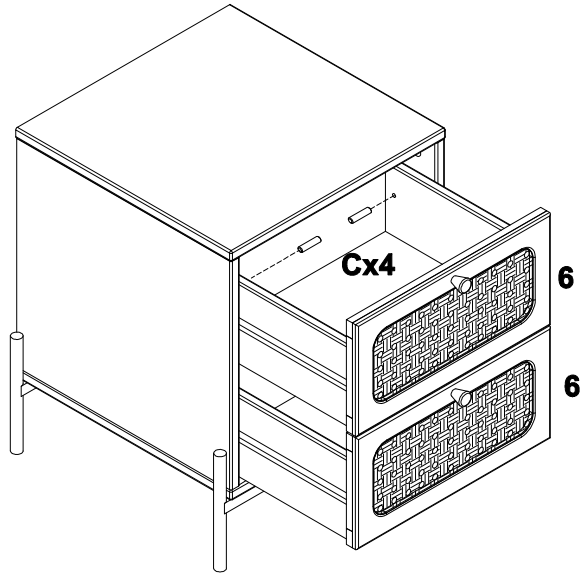
b) Attach Drawer Left Panel (7) & Right Panel (8) as shown. Next, insert Cam-lock (B) into designated holes on (7&8) and turn clockwise to lock onto cam-bolt on (6).

c) Fit Drawer Bottom Panel (10) via groove on (6, 7&8).

d) Fit Drawer Back Panel (9) between (7&8) and use Screw (G) to fasten (9) to (7&8).

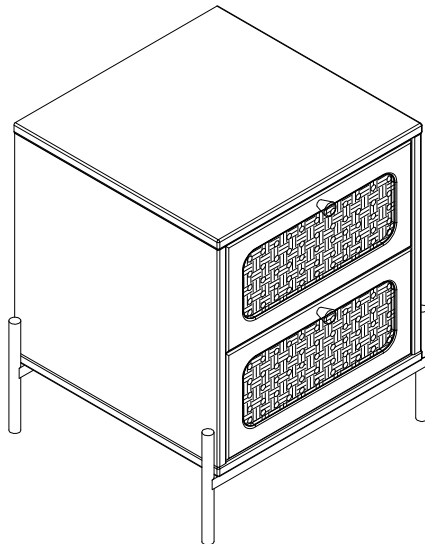
e) Affix Handle (H) to Drawer Front Panel (6) with Screw (I).

STEP 9



- a) To insert drawer, align drawer track on the drawer side panels (7&8) to the drawer runner on the side frames(2&3), and then push the drawer in gently.
- b) Insert Wood Dowel (C) into designated hole at the rear of each side panel to serve as stopper.

STEP 10



The assembly is complete.