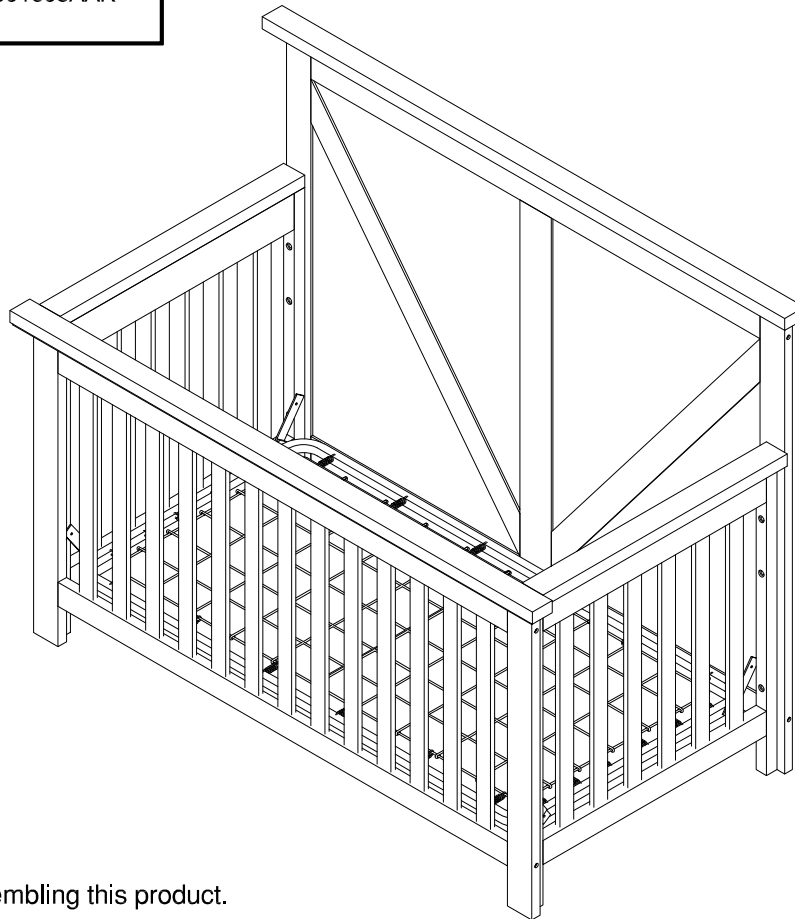


CRIB - ASSEMBLY INTRUCTIONS

WF301604 / WF301605

Made in Vietnam

Compliance Information - Not Retailer
GIGACLOUD TECHNOLOGY (USA) INC.
18961 Arenth Ave, City of Industry, CA 91748
03/2023 WF301604AAK / WF301605AAK



WARNING: Read all

instructions before assembling this product.

KEEP INSTRUCTIONS FOR FUTURE USE.

CUSTOMER SERVICE

If you are missing parts or have any questions about this product, contact us first. You can also order parts by writing to the address above.

Include the product model number, color, and a brief description of the part.

CARE AND CLEANING

DO NOT scratch or chip the finish. DO NOT use abrasive chemicals for cleaning. Dust often using a clean, soft, dry cloth. Blot spills immediately and wipe with a clean, damp cloth. If the crib is to be stored, store in a cool, dry place and carefully package all original hardware to protect from loss.

TOOLS NEEDED

Allen key (included)

NOTE: Two people are recommended for assembly.

NOTE: When inserting bolts, turn clockwise until tight. Then loosen $\frac{1}{2}$ - $\frac{3}{4}$ of a turn. After crib is completely assembled, return each bolt and tighten. Use wax or soap on all bolts to facilitate assembly.

WARNING INFORMATION



WARNING: Infants can suffocate on soft bedding. Never add a pillow or comforter. Never place additional padding under an infant.



WARNING: Failure to follow these warnings and the assembly instructions could result in serious injury or death.

- To reduce the risk of SIDS, pediatricians recommend healthy infants to be placed on their backs to sleep, unless otherwise approved by your physician.

Strangulation Hazard:

- Strings can cause strangulation! DO NOT place items with a string around a child's neck, such as hood strings or pacifier cords. DO NOT suspend strings over a crib or attach strings to toys.
- To help prevent strangulation tighten all fasteners. A child can trap parts of the body or clothing on loose fasteners.
- DO NOT place this crib near a window or patio door where a child could reach the cord of a blind or curtain and strangled. Check the crib regularly before using it, and do not use it if any part is loose or missing or if there are any signs of damage.

Fall Hazard:

- When a child is able to pull to a standing position, set mattress to lowest position and remove bumper pads, large toys and other objects that could serve as steps for climbing out..
- When child is able to climb out or reaches the height of 35" (89cm), the crib shall no longer be used, and the child should be placed in a youth or regular bed.
- Check this product for damaged hardware, loose joints, missing parts or sharp edges before and after assembly and frequently during use. Securely tighten loose bolts and other fasteners. DO NOT use crib if any parts are missing, damaged or broken.
for replacement parts and instructional literature if needed.
- DO NOT substitute parts. Contact the manufacturer if replacement parts or additional instruction are needed. Children can suffocate on the soft bedding.
- DO NOT place pillows, comforters or soft mattresses in this crib.
- * Use a mattress that is no thicker than 15 cm and it of such a size that, when it is pushed firmly against any side of this crib, it close not leave a gap of more than 3 cm between the mattress and any part of any other side of the crib.
- If refinishing, use a non-toxic finish specified for children's products.
- Follow warnings on all products in a crib.
- Never use plastic shopping bags or other plastic film as mattress covers because they can cause suffocation.
- Infants can suffocate in gaps between crib sides and a mattress that is too small.

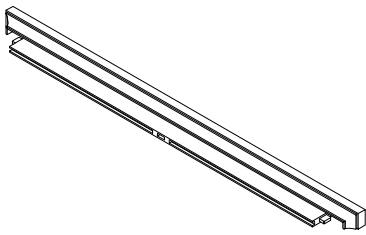
WARNING INFORMATION

CAUTION: ANY MATTRESS USE IN THIS CRIB SHALL BE AT LEAST 27 1/4 X 51 5/8" WITH A THICKNESS NOT EXCEEDING 6".

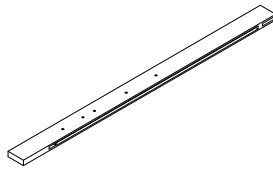
ASSEMBLY INSTRUCTION

BABY CRADLE WF301604 / WF301605

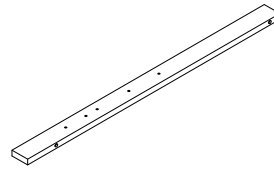
BOX 1 : WF301604



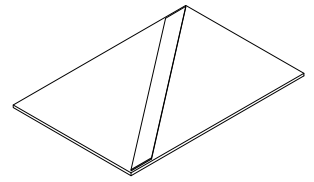
(A) TOP 1 - 1PC



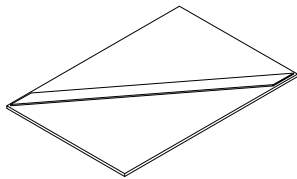
(B2) LEFT LEG - 1PC



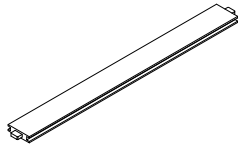
(B1) RIGHT LEG - 1PC



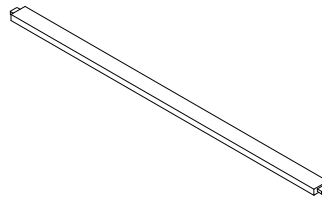
(C1) LEFT PANEL - 1PC



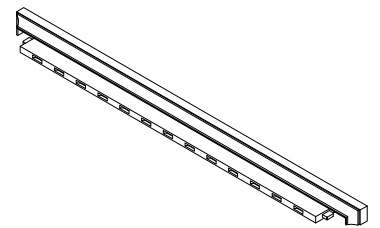
(C2) RIGHT PANEL - 1PC



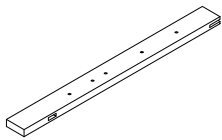
(D) MIDDLE STRUTS - 1PC



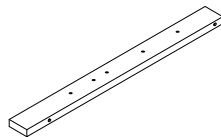
(E) STRETCHER - 1PC



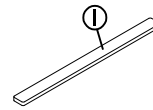
(F) TOP 2 - 1PC



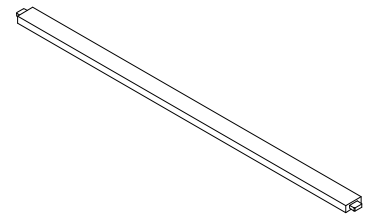
(G1) LEFT LEG - 1PC



(G2) LEFT LEG - 1PC

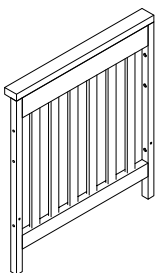


(I) SLATS - 13PCS

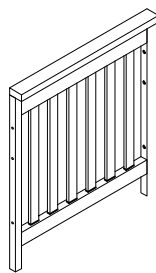


(H) STRETCHER - 1PC

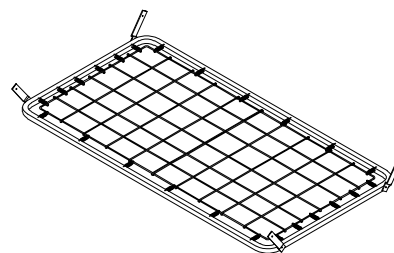
BOX 1 : WF301605



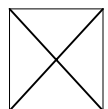
(J1) LEFT FRAME - 1PC



(J2) RIGHT FRAME - 1PC



(K) SPRING IRON FRAME - 1PC



HARDWARE

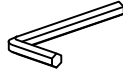
ASSEMBLY INSTRUCTION

BABY CRADLE WF301604 / WF301605

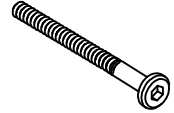
HARDWARE



a : CROSS DOWEL NUT-
8 PCS (Ø10/M6x13)



b : ALLEN KEY-1PC (K4)



c : BOLT-8 PCS (M6x100)



d : BOLT-12 PCS (M8x40)



f : BOLT-04 PCS (M6x15)



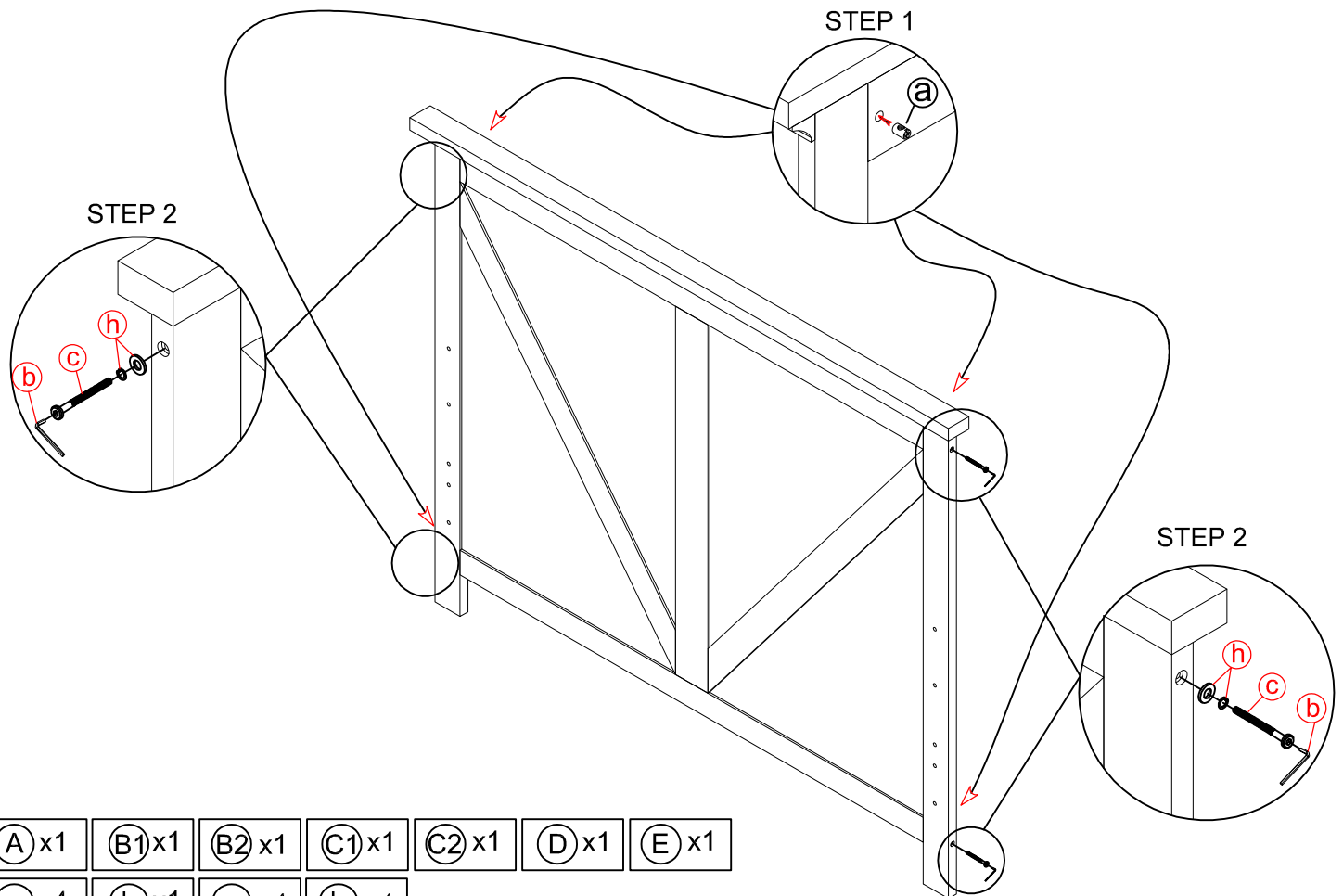
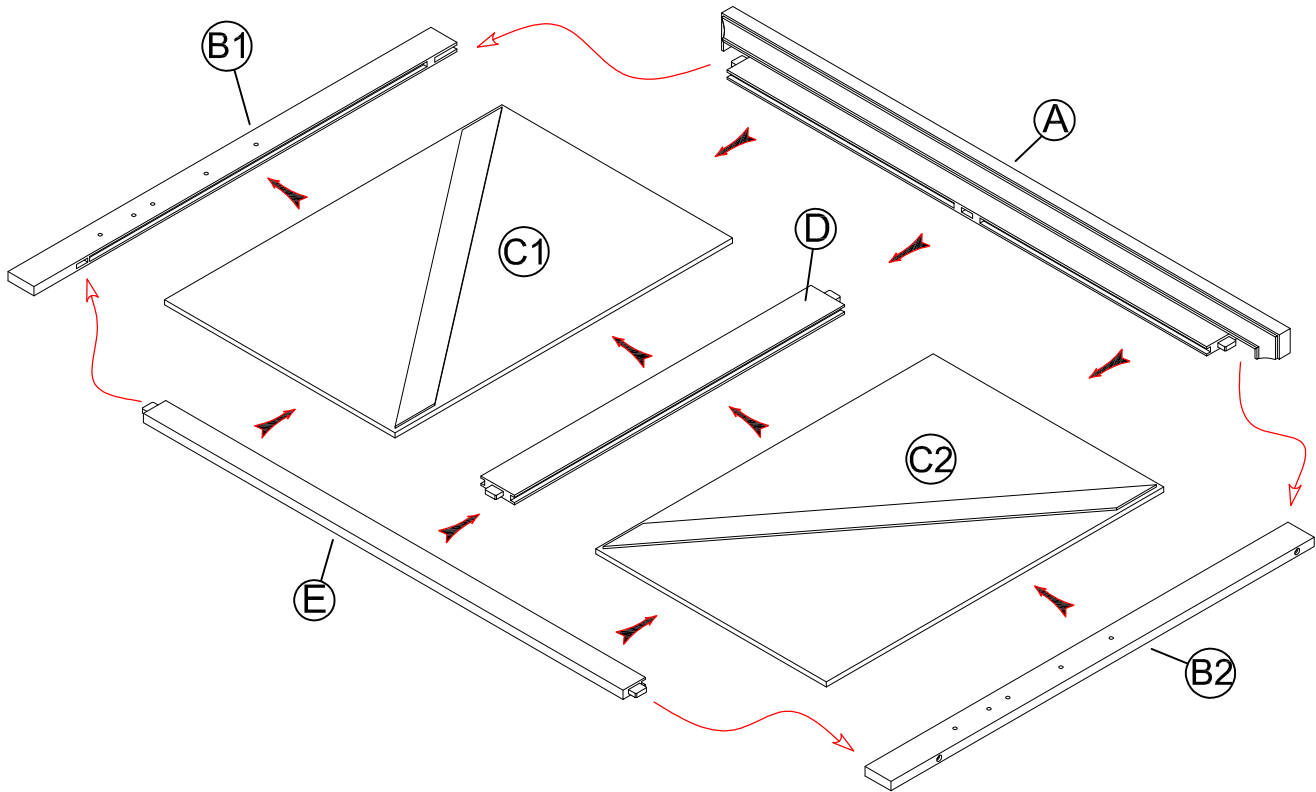
g : METAL WASHER (Ø8x15)-12 SET



h : METAL WASHER (Ø6x13)-12 SET

ASSEMBLY INSTRUCTION

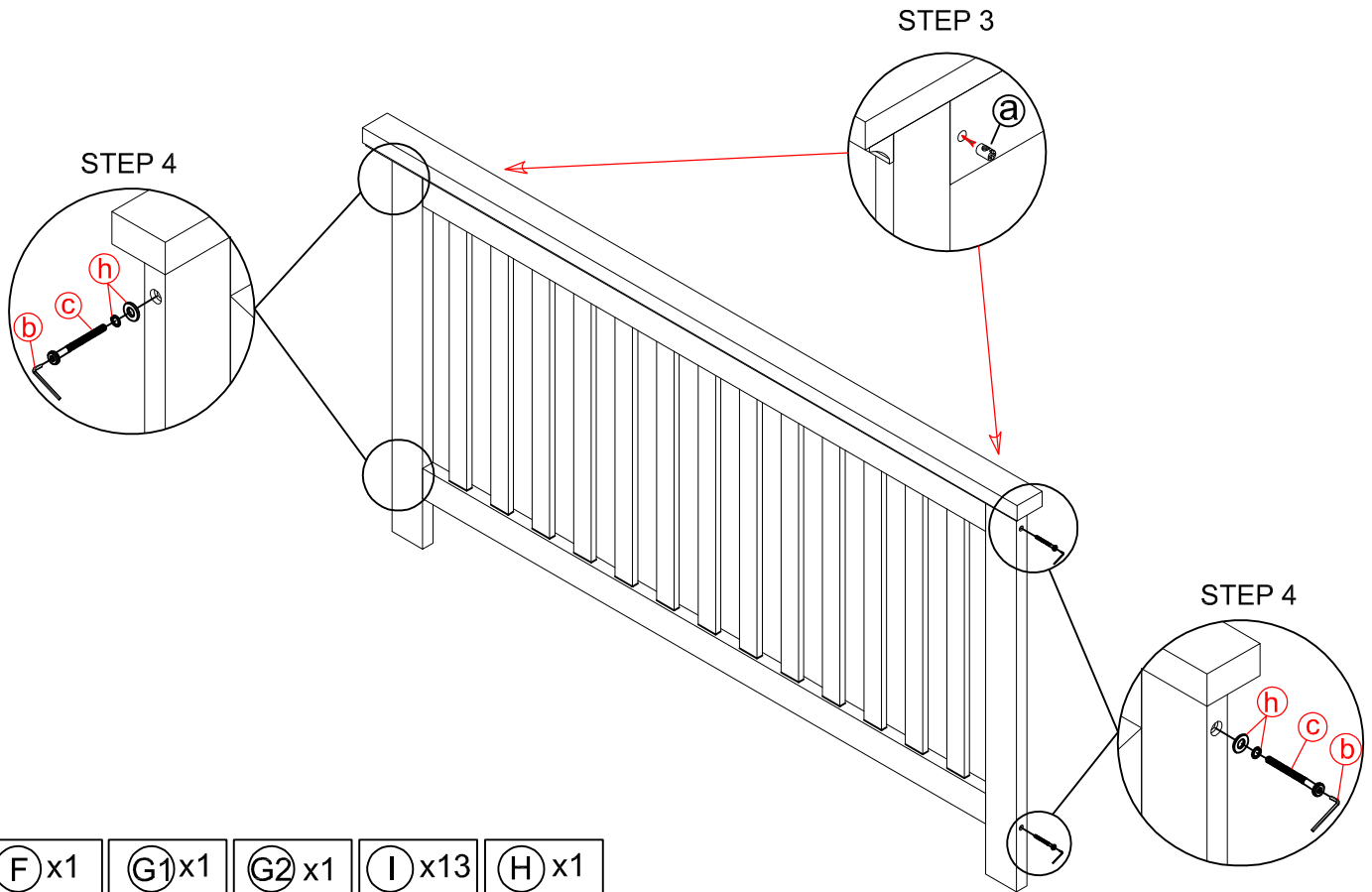
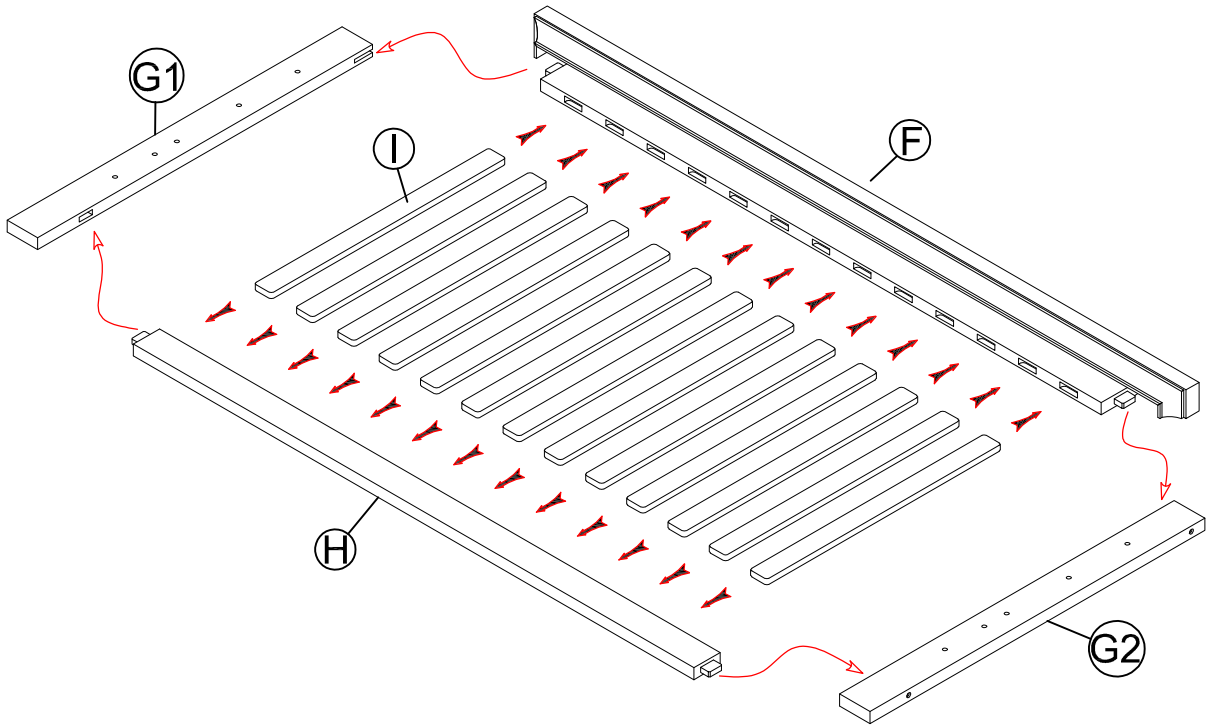
BABY CRADLE WF301604/ WF301605



(A) x1	(B1) x1	(B2) x1	(C1) x1	(C2) x1	(D) x1	(E) x1
(a) x4	(b) x1	(c) x4	(h) x4			

ASSEMBLY INSTRUCTION

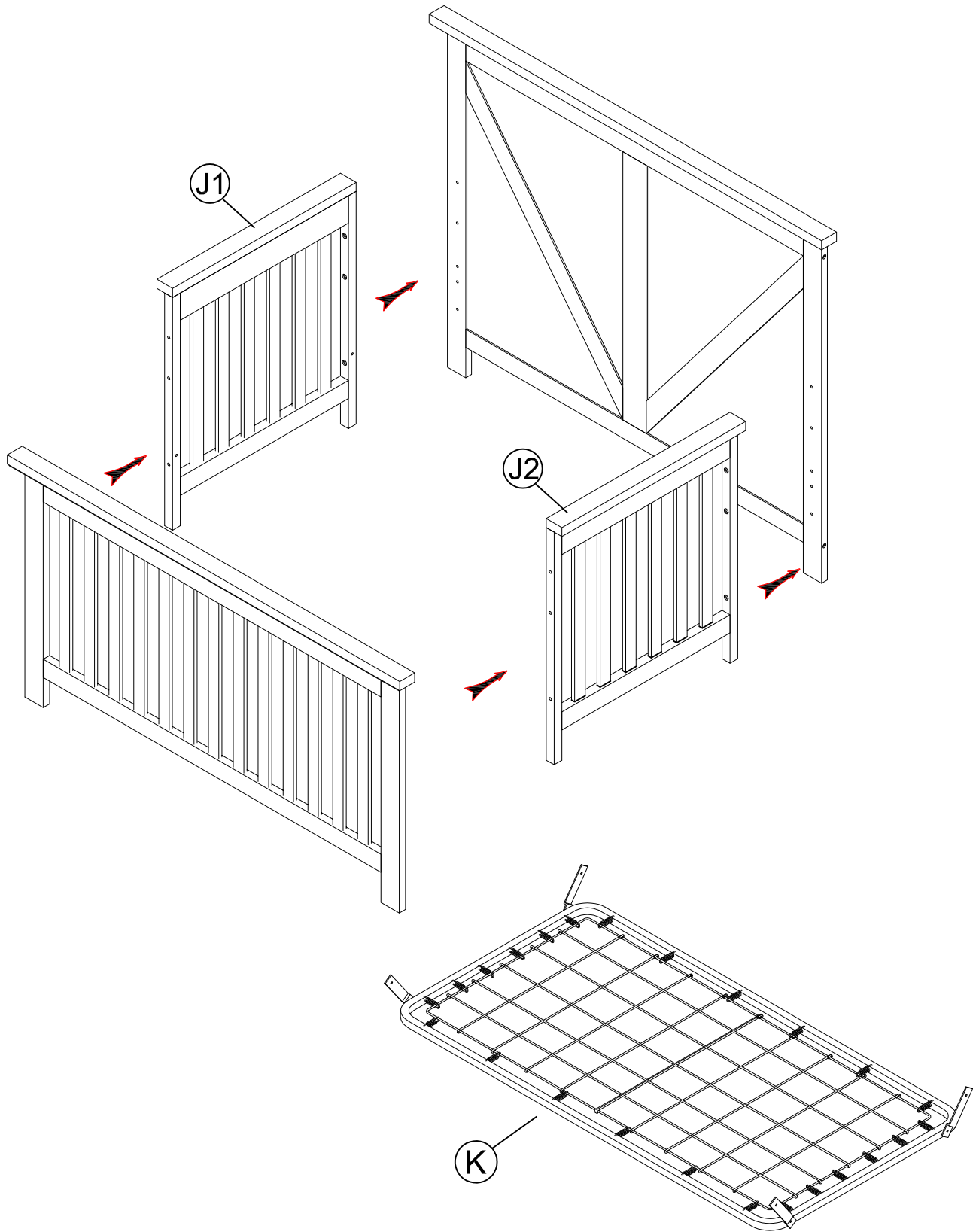
BABY CRADLE WF301604/ WF301605



(F) x1	(G1) x1	(G2) x1	(I) x13	(H) x1
(a) x4	(b) x1	(c) x4	(h) x4	

ASSEMBLY INSTRUCTION

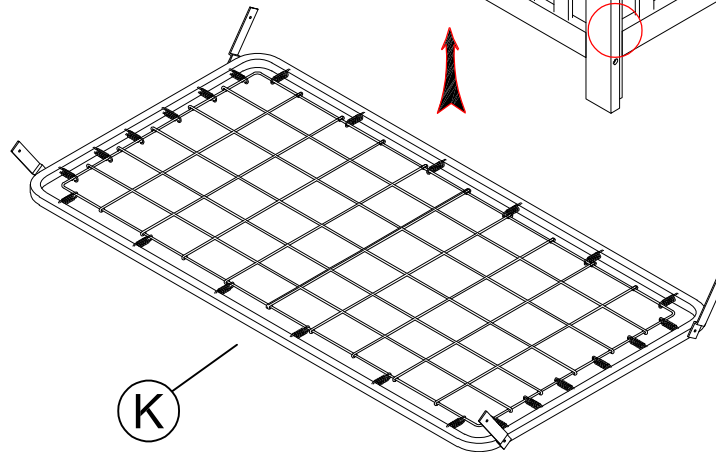
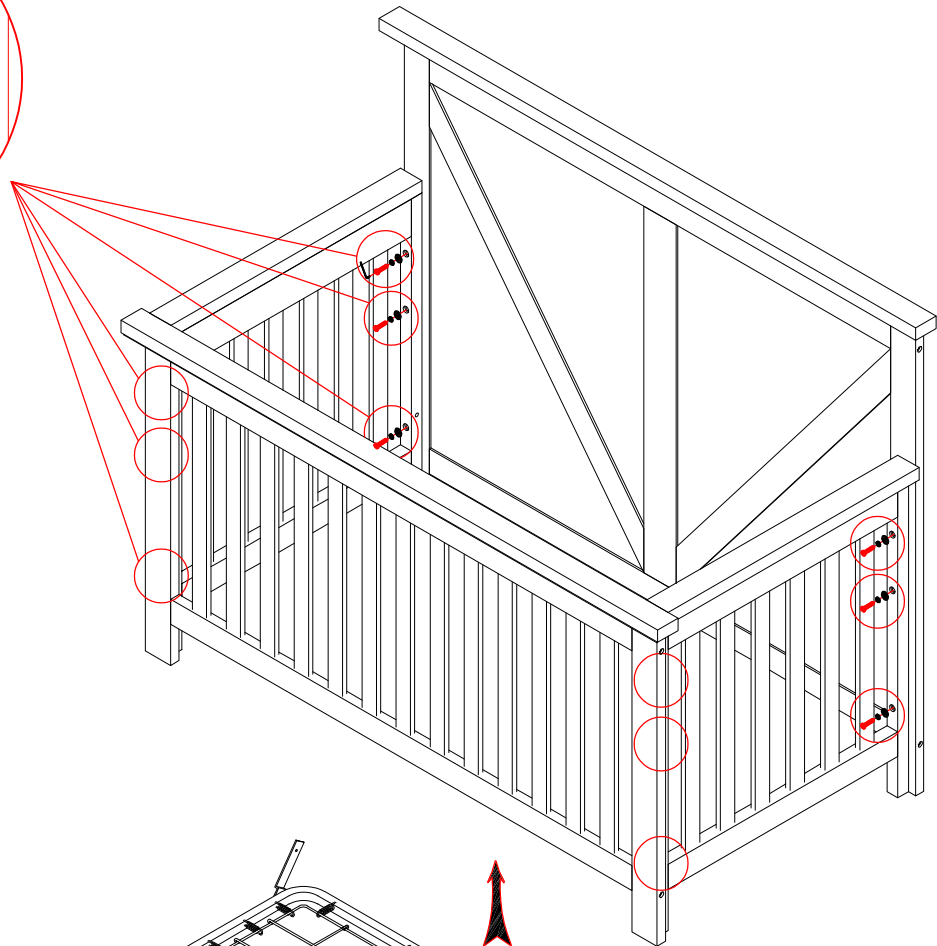
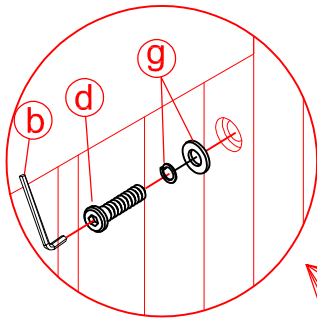
BABY CRADLE WF301604/ WF301605



ASSEMBLY INSTRUCTION

BABY CRADLE WF301604/ WF301605

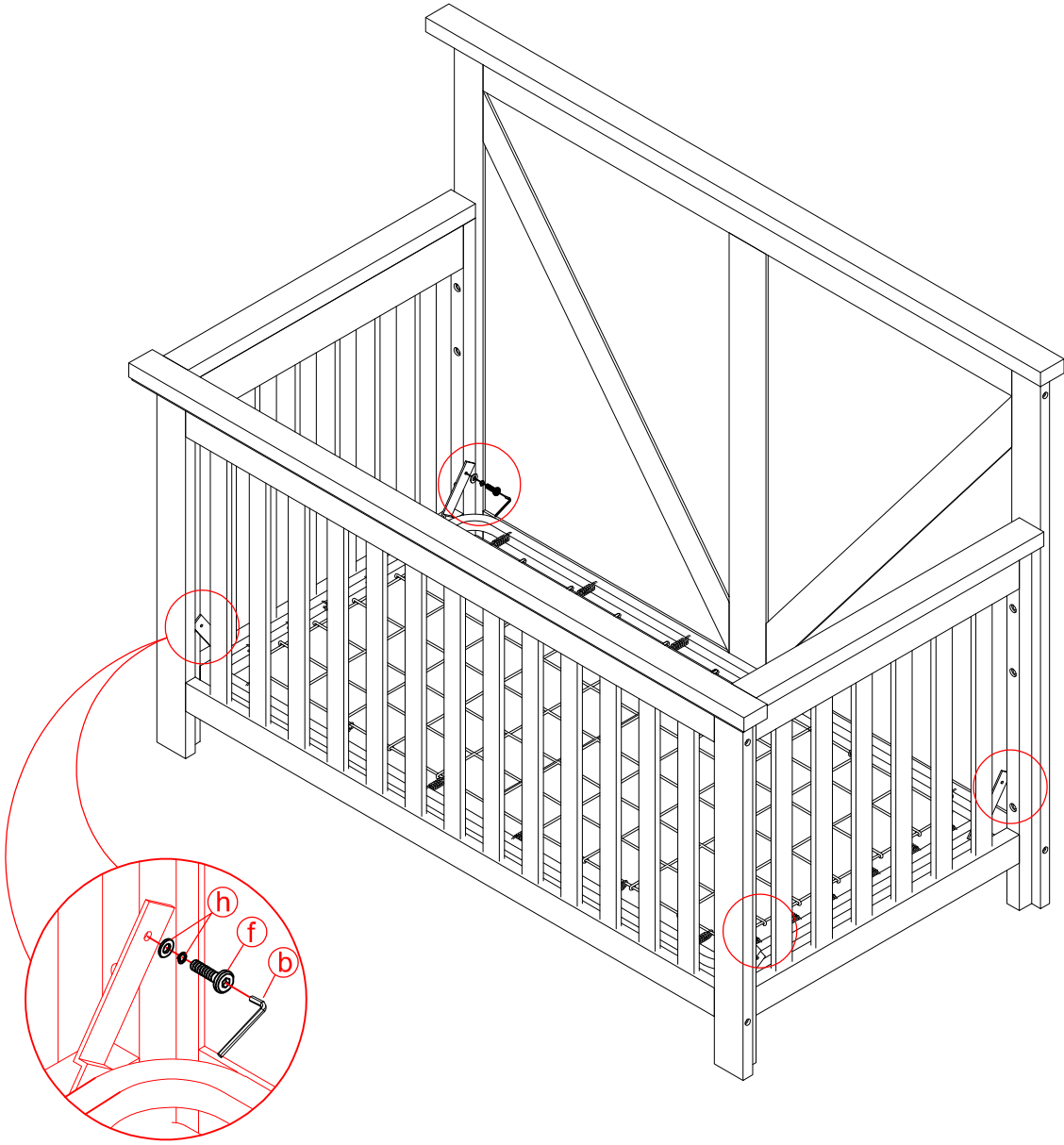
STEP 5



(b) x1 (d) x12 (g) x12

ASSEMBLY INSTRUCTION

BABY CRADLE WF301604/ WF301605



STEP 6

Iron grid can be adjustable three levels.

(K) x1

(b) x1

(f) x4

(h) x4