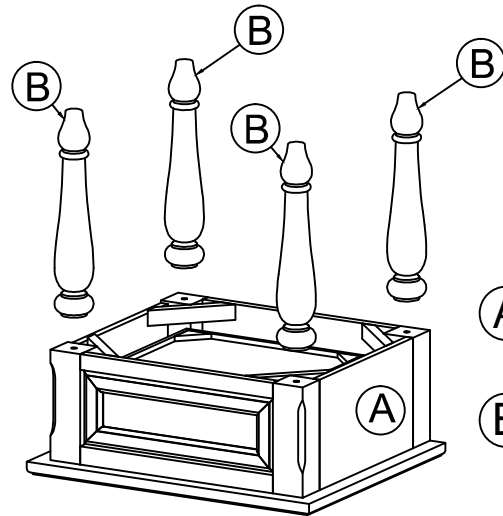
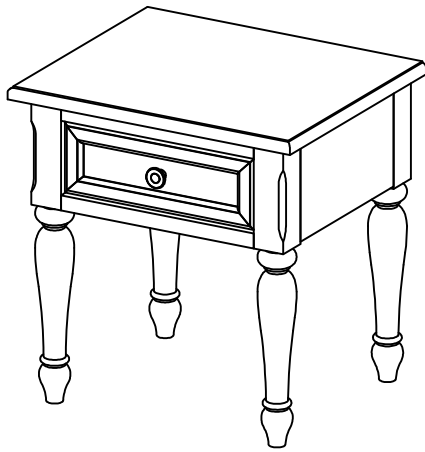


ASSEMBLY INTRUCTION

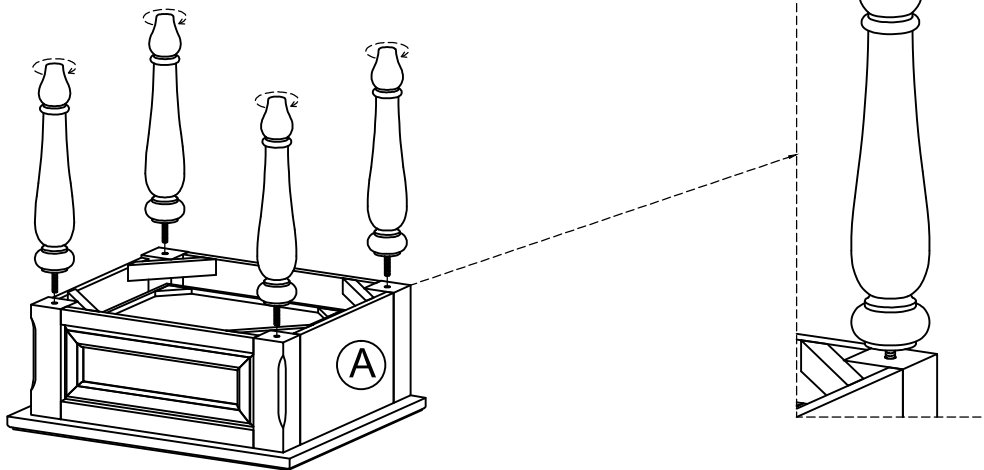
WF299782



(A) Top component
Q.ty: 1pc

(B) Legs
Q.ty: 4pcs

Step 1:



Step 2:

