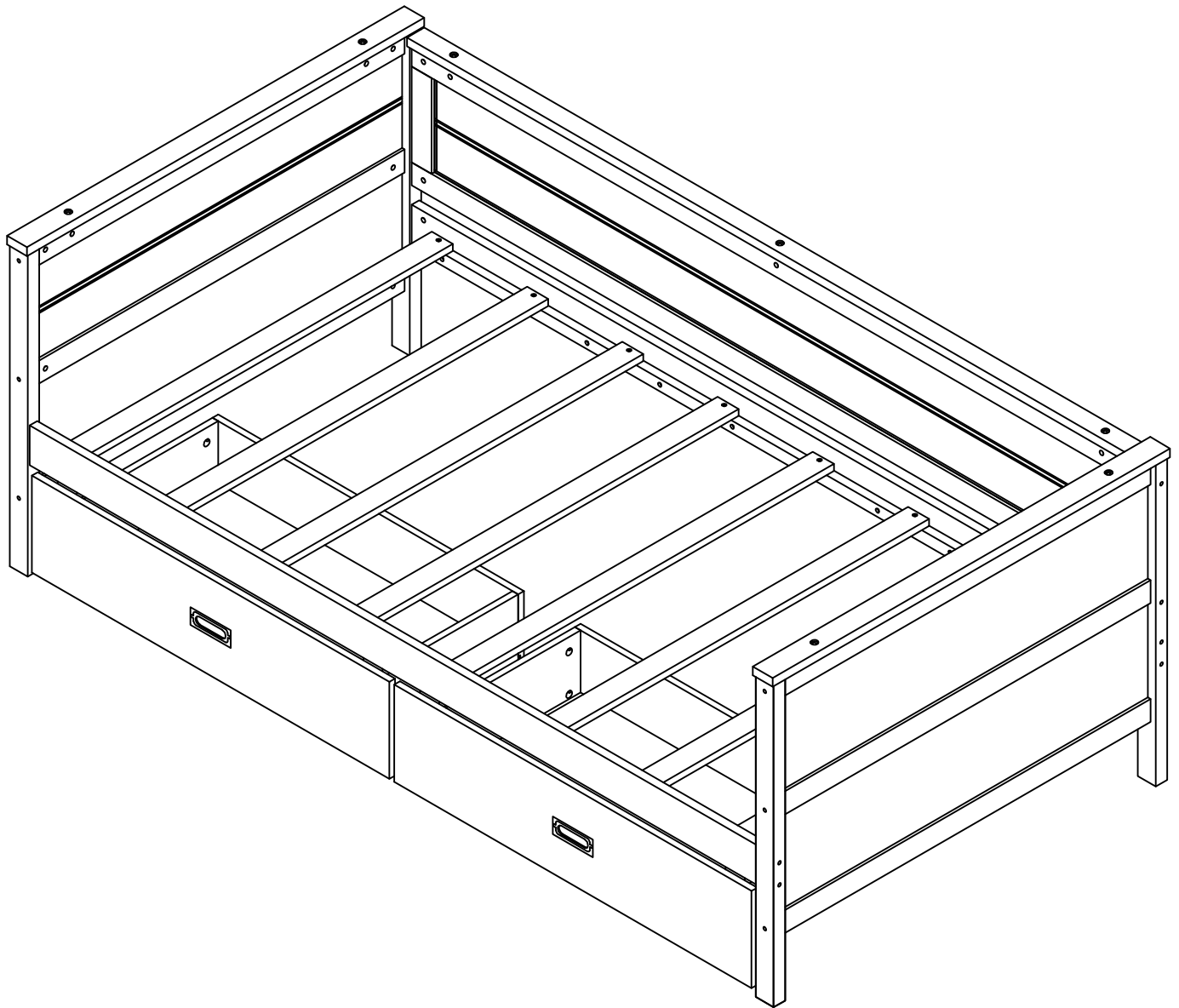


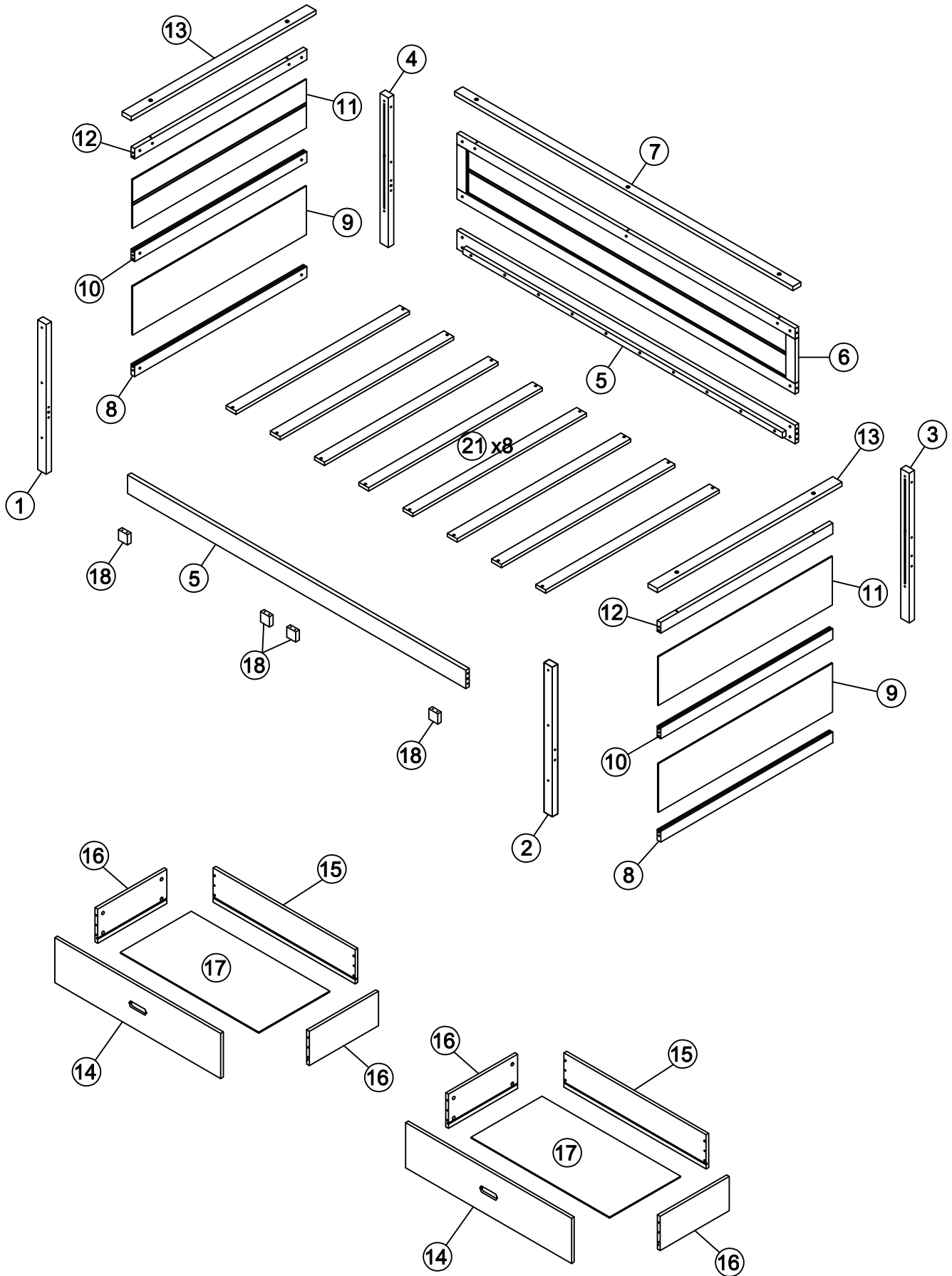
ASSEMBLY INSTRUCTIONS

TWIN DAY BED WITH DRAWERS



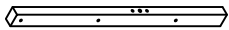

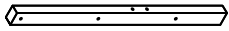
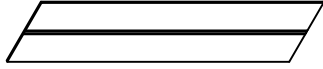

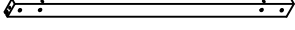
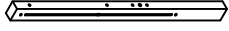
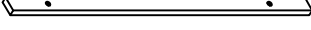


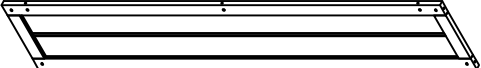

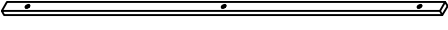
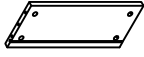

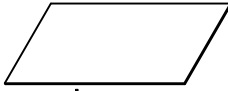


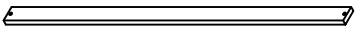
WF320983

ASSEMBLY INSTRUCTIONS



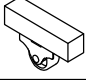
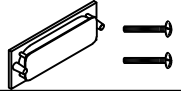



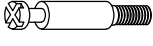



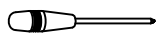


ASSEMBLY INSTRUCTIONS

WF320983 (Hardware in this SKU)

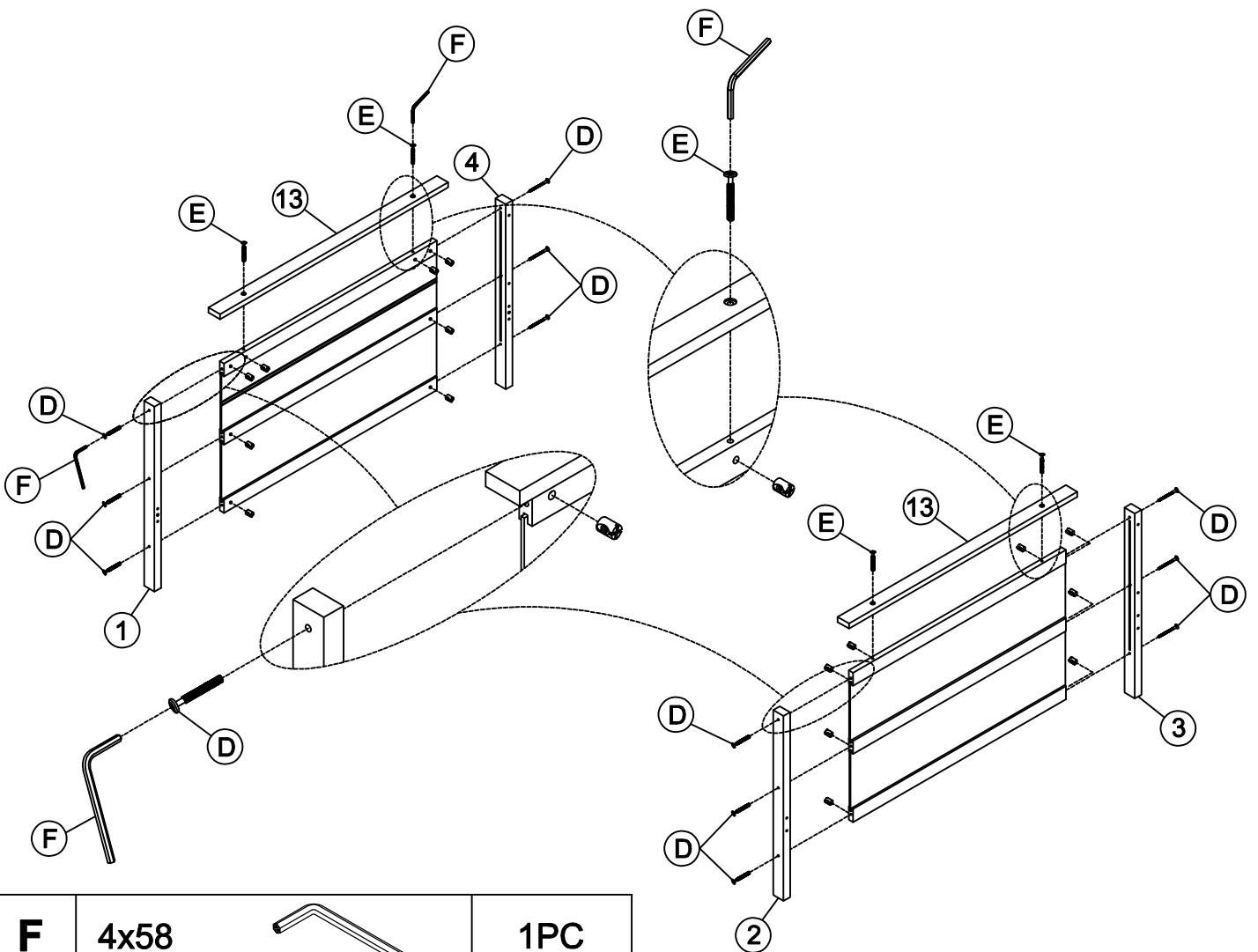
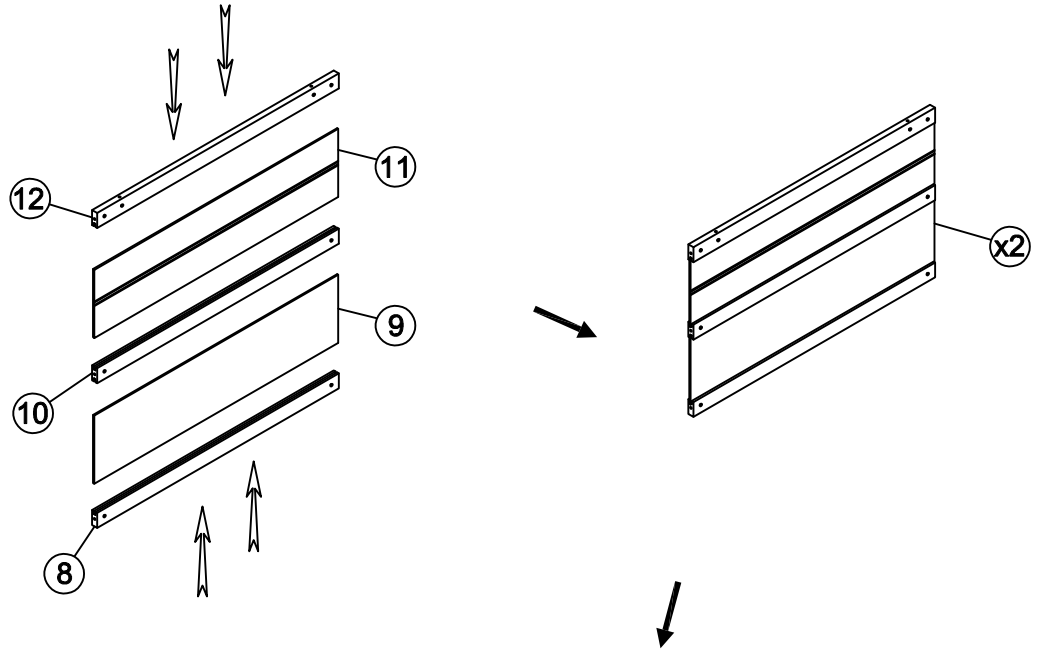
1	Leg		1pc	10	Headboard panel		2pcs
2	Leg		1pc	11	Headboard frames		2pcs
3	Leg		1pc	12	Headboard panel		2pcs
4	Leg		1pc	13	Headboard panel		2pcs
5	Side rails		2pcs	14	Front drawers panel		2pcs
6	Headboard frames		1pc	15	Back drawers panel		2pcs
7	Headboard panel		1pc	16	Drawers panel		4pcs
8	Headboard panel		2pcs	17	Bottom drawers panel		2pcs
9	Headboard frames		2pcs	18	Support drawer		4pcs
				21	Slats		8pcs




WF320983 (Hardware in this SKU)

A	Ø4x30		40PCS	G	Ø10x40		4PCS
B			8PCS	H	105x39x12		2PCS
C	1/4x90		12PCS	I	Ø8x30		8PCS
D	1/4x75		12PCS	J	Ø 6.5x35		16PCS
E	1/4x50		7PCS	K	Ø15x12		16PCS
F	4x58		1PC		Phillip head screw Not include		

ASSEMBLY INSTRUCTIONS

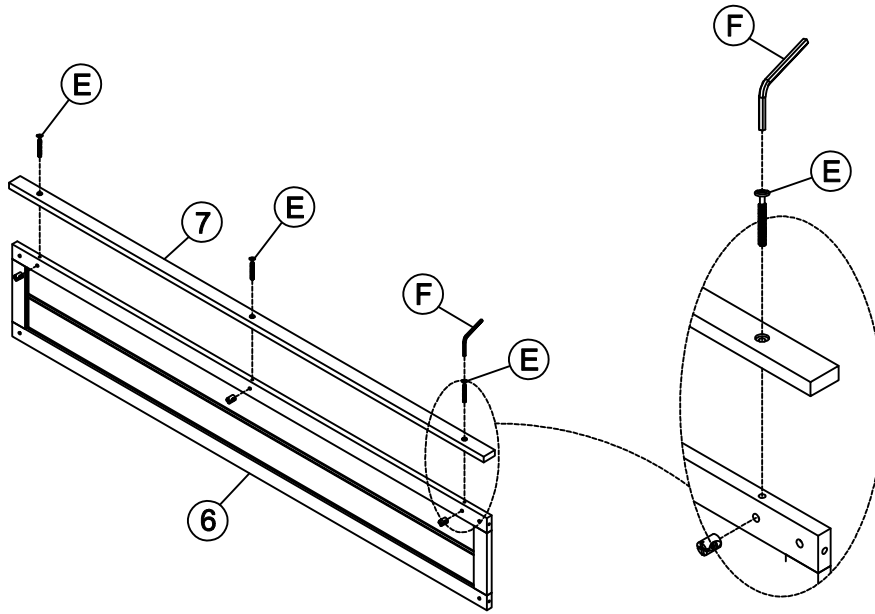
Step 1



F	4x58		1PC			
D	1/4x75		12PCS	E	1/4x50	 4PCS

ASSEMBLY INSTRUCTIONS

Step 2



E 1/4x50



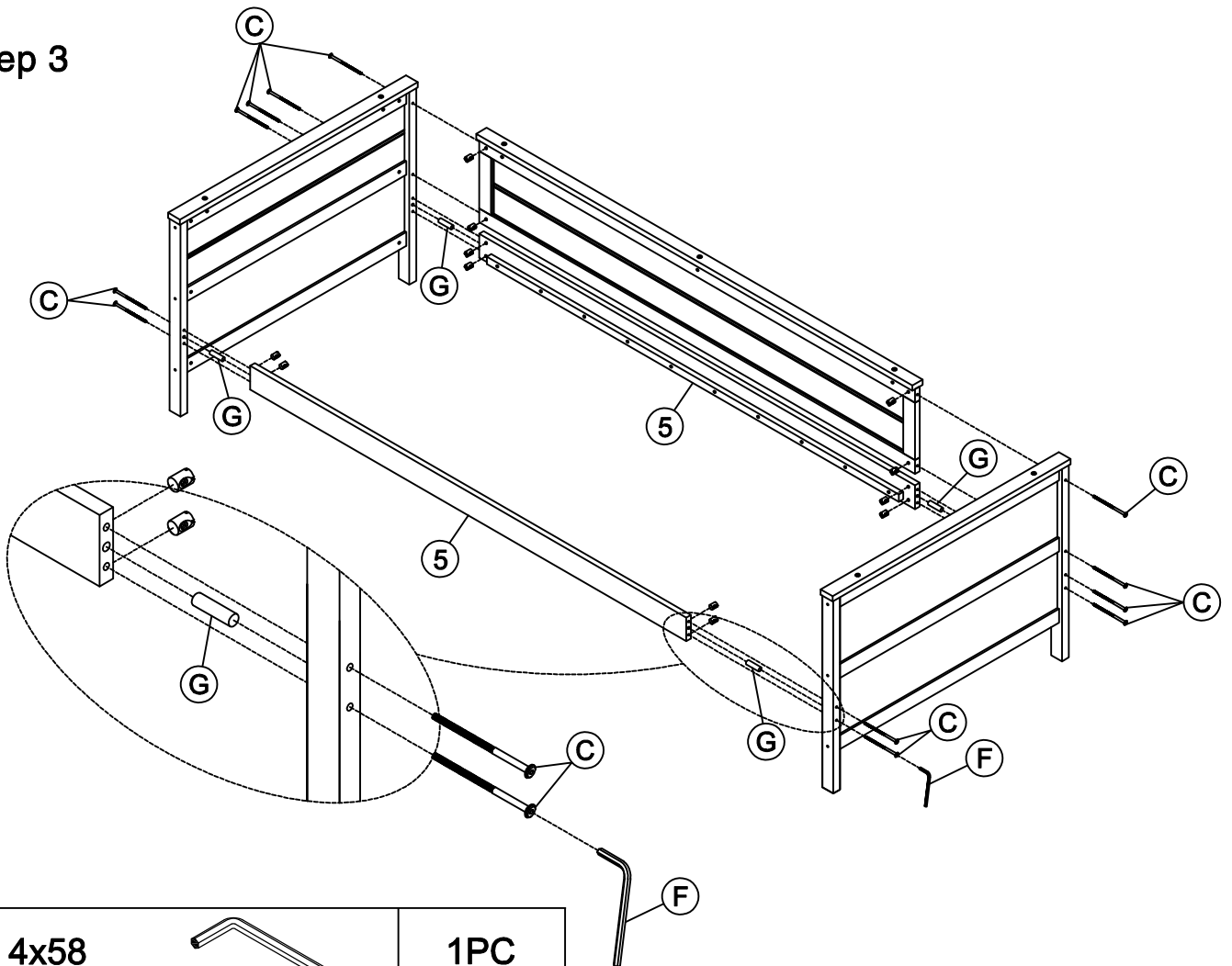
3PCS

F 4x58



1PC

Step 3



F 4x58



1PC

C 1/4x90



12PCS

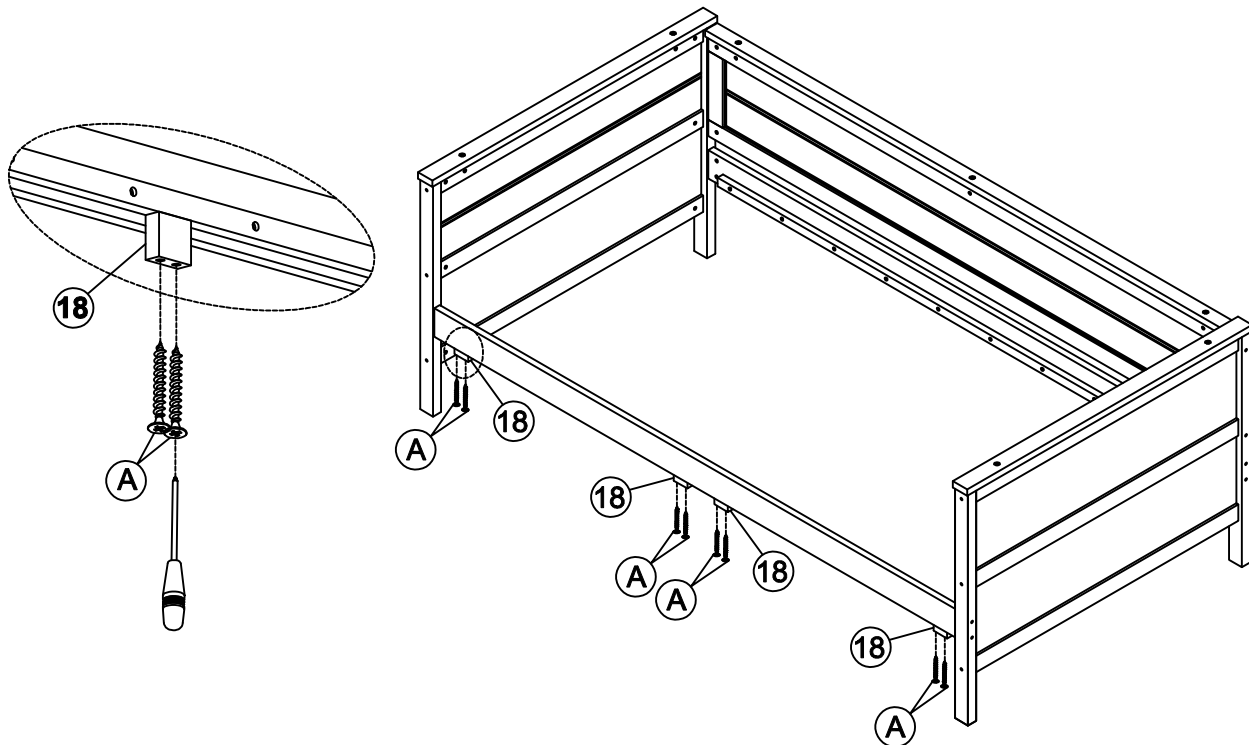
G Ø10x40



4PCS

ASSEMBLY INSTRUCTIONS

Step 4

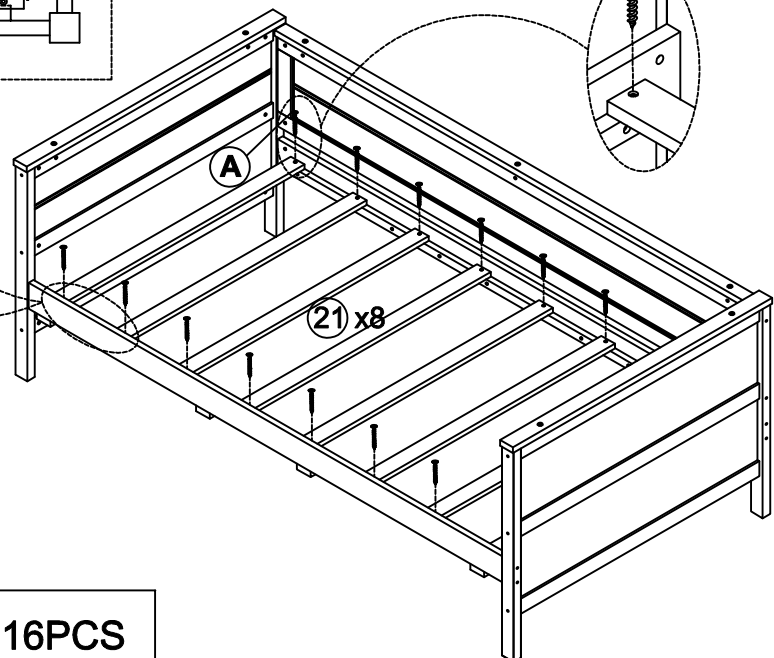
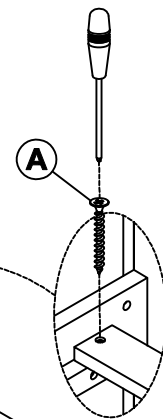
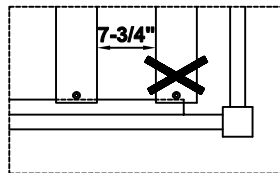
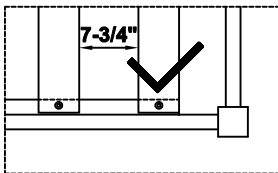


A Ø4x30



8PCS

First attach 2pcs part 21 to the front and end of the frame between headboard. Then attach the remaining part 21 equidistantly between headboard



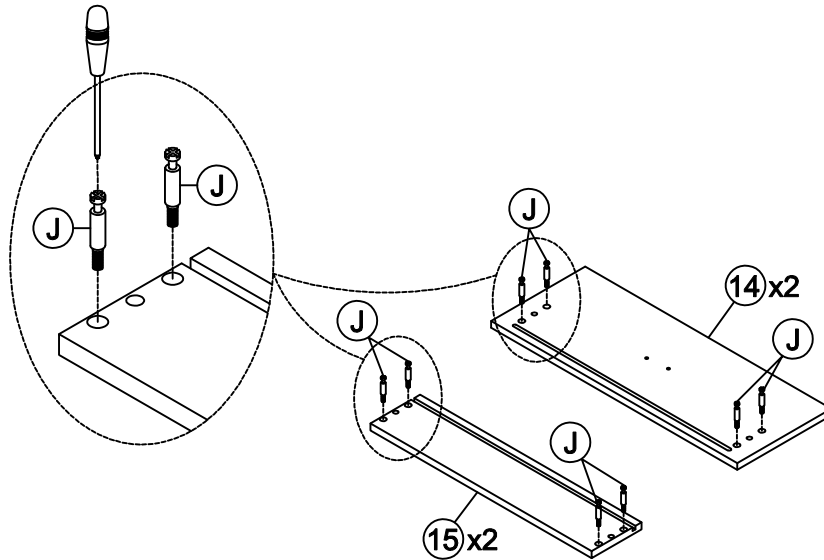
A Ø4x30

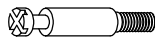


16PCS

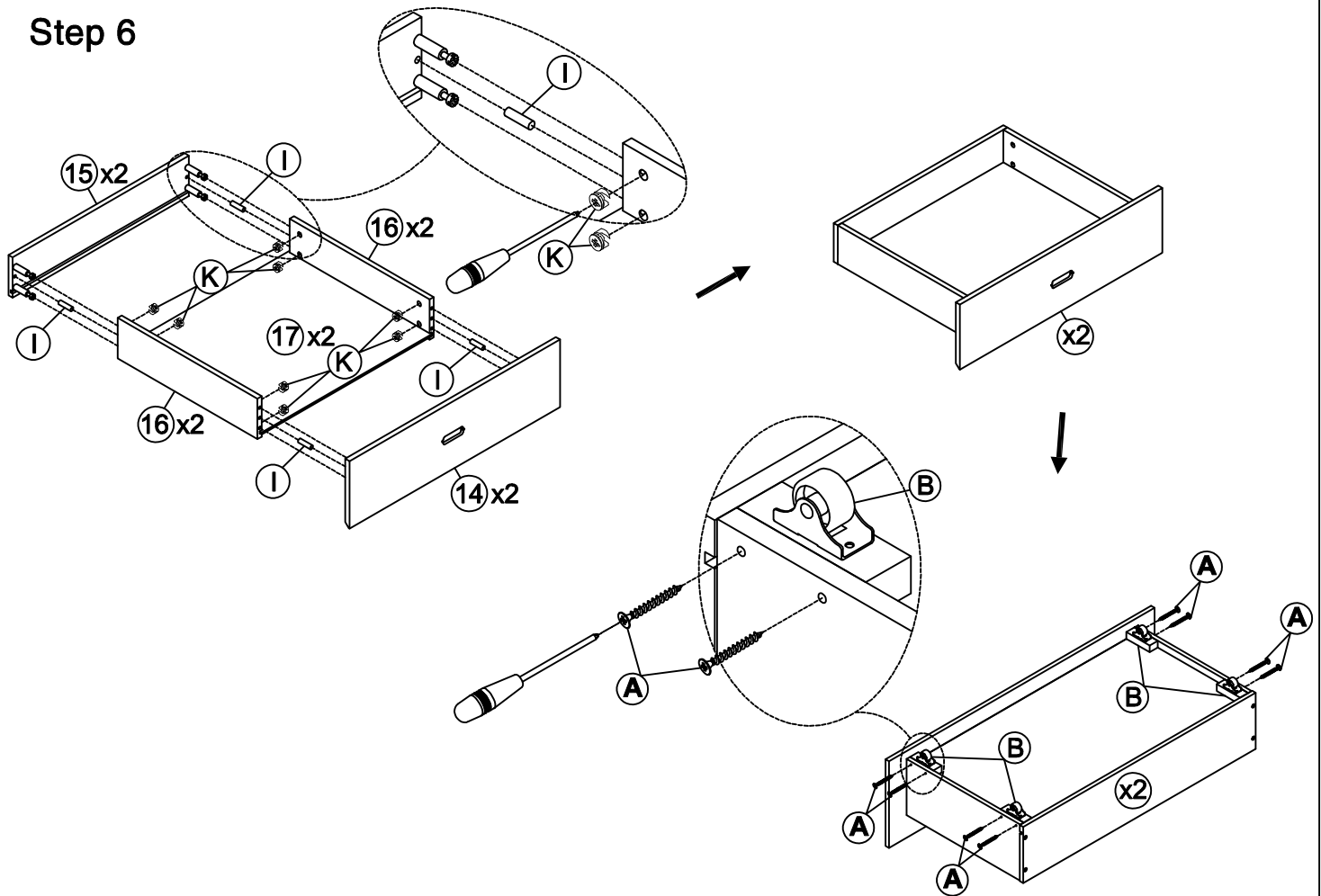
ASSEMBLY INSTRUCTIONS

Step 5



J	Ø 6.5x35		16PCS
----------	----------	---	-------

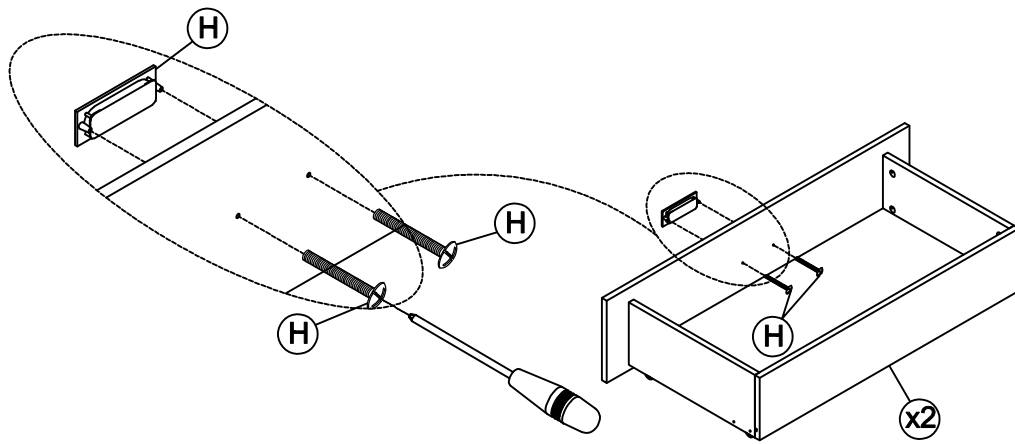
Step 6

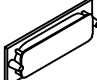



B		8PCS	A	Ø4x30		16PCS	
K	Ø15x12		16PCS	I	Ø8x30		8PCS

ASSEMBLY INSTRUCTIONS

Step 7



H	105x39x12			2PCS
----------	-----------	---	---	-------------

Step 8

