

ASSEMBLY INSTRUCTION

WF318746

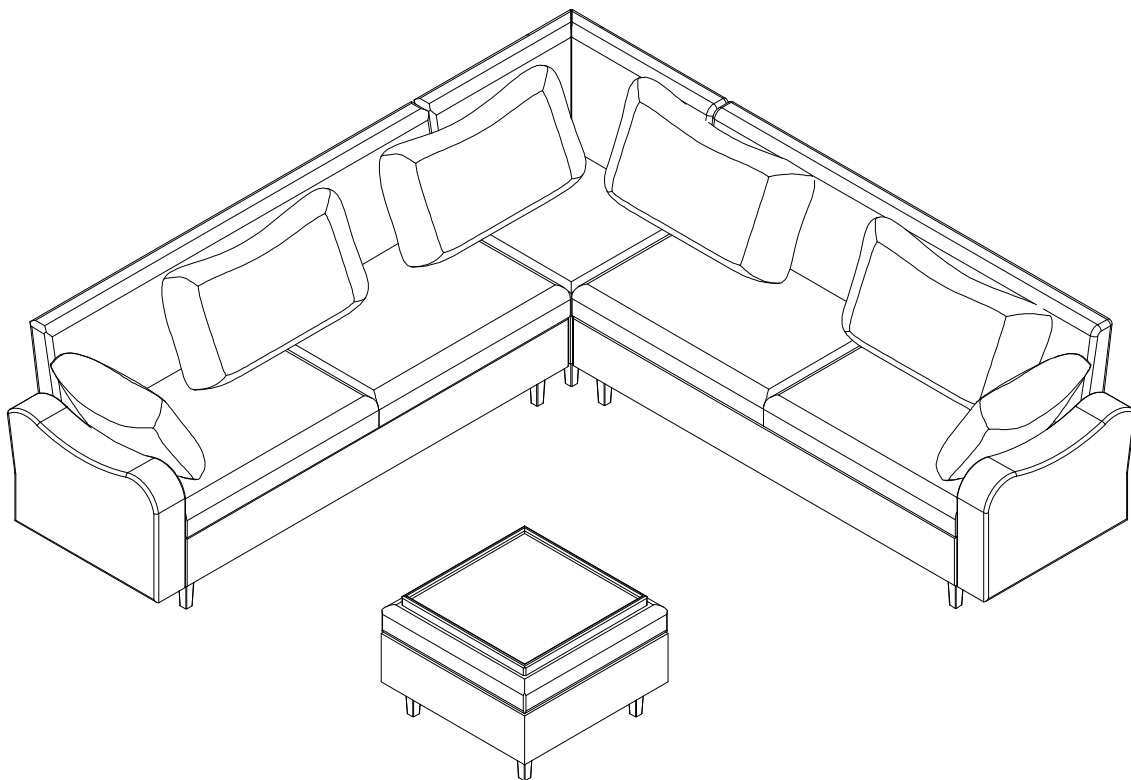
WF318747

WF318748

WF318749

Friendly Reminder:

- 1.This sofa is packed in 4 boxes. Please assemble it After all boxes are received.
- 2.As the cushions are all vacuum compressed,there will be some wrinkles. Please give your cushions up to 72 hours to reach its original size and the wrinkles will basically disappear.
- 3.Please do not open the compressed packages until your sofa frame is completely assembled.

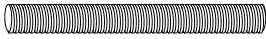


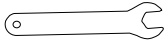


Return & Warranty policy:

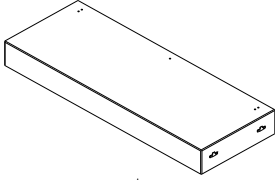
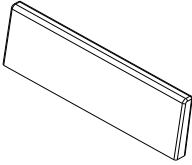

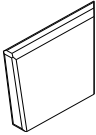
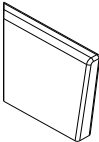
- We strive to offer the highest quality products,and we also try our best to satisfy each and every customer that orders from us with replacement parts or service as needed.
- If the item is damaged or defective, please take photos as evidence for replacements and refunds.
- Please do not return to store,contact the seller if you have any troubles with this product.

ASSEMBLY INSTRUCTION

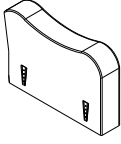
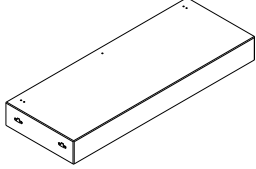
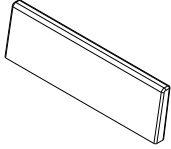
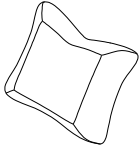


HARDWARE

NO	DESCRIPTION	SKETCH	QTY
01	Screws M8x60		18 pcs
02	Washer M8x18x1		18 pcs
03	Nuts M8		18 pcs
04	Wrench		2 pcs

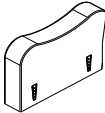
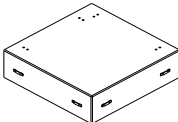
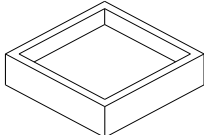
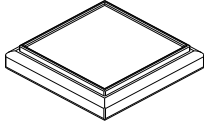

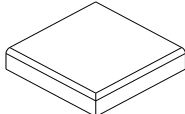
PARTS LIST WF318746

NO	DESCRIPTION	SKETCH	QTY
D	Seat frame (Right)		1 pc
E	Back frame		1 pc
Q	Backing cloth		1 pc
G	Corner back frame (Right)		1 pc
H	Corner back frame (Left)		1 pc

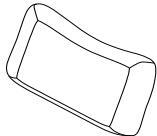
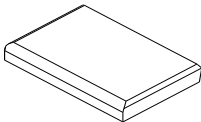
PARTS LIST WF318747

NO	DESCRIPTION	SKETCH	QTY
A	Armrest(Left)		1 pc
C	Seat frame (Left)		1 pc
E	Back frame		1 pc
M	Short back cushion		2 pcs
P	Leg		16 pcs
Q	Backing cloth		1 pc

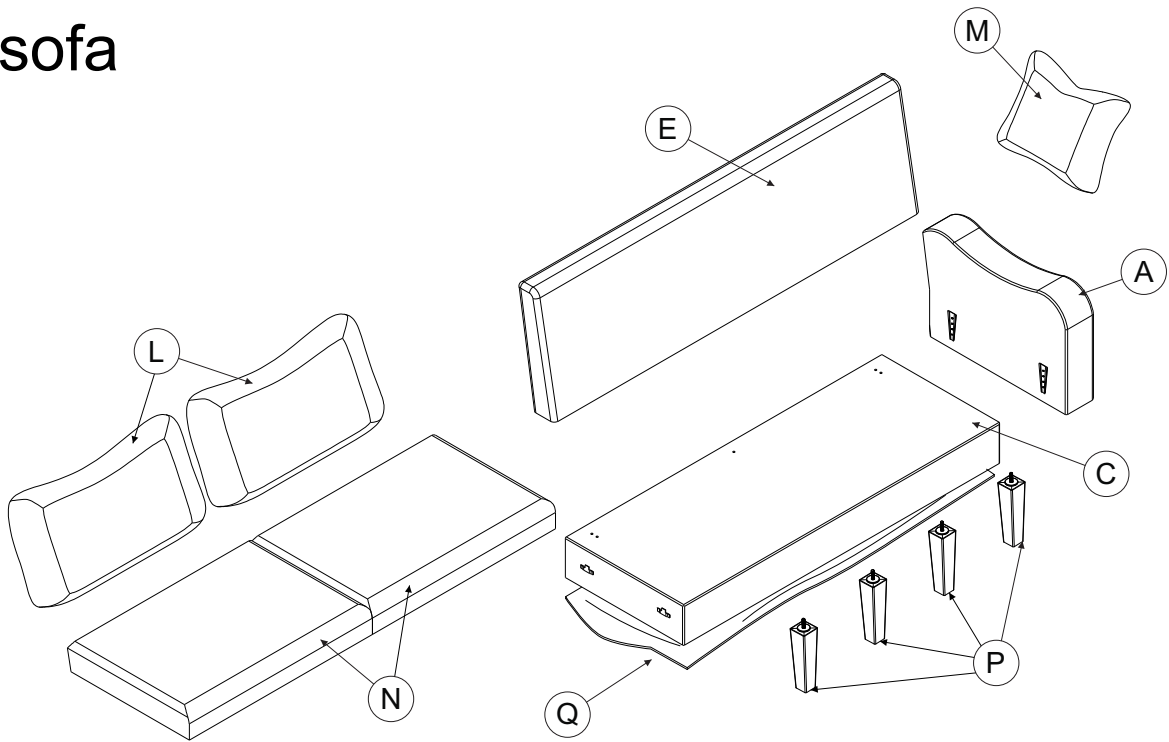
PARTS LIST WF318748

NO	DESCRIPTION	SKETCH	QTY
B	Armrest(Right)		1 pc
F	Corner seat frame		1 pc
I	Seat frame of ottoman		1 pc
K	Seat cushion of ottoman		1 pc
R	Corner backing cloth		1 pc
O	Seat cushion of corner		1 pc

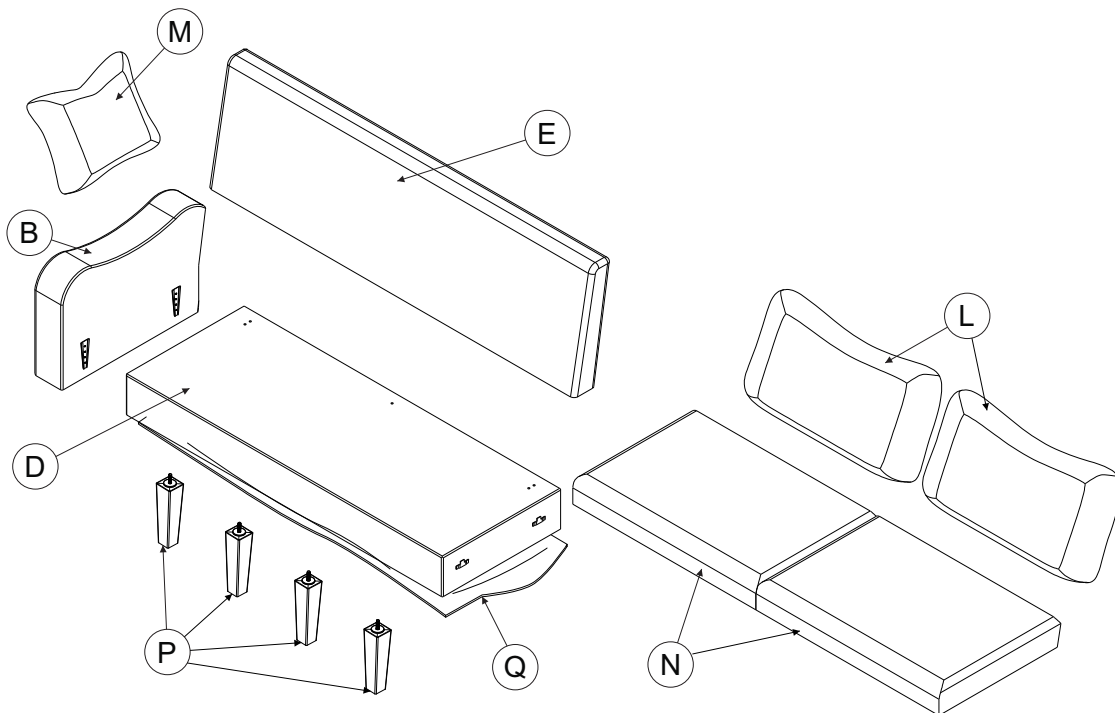
PARTS LIST WF318749

NO	DESCRIPTION	SKETCH	QTY
L	Back cushion		4 pcs
N	Seat cushion of sofa		4 pcs

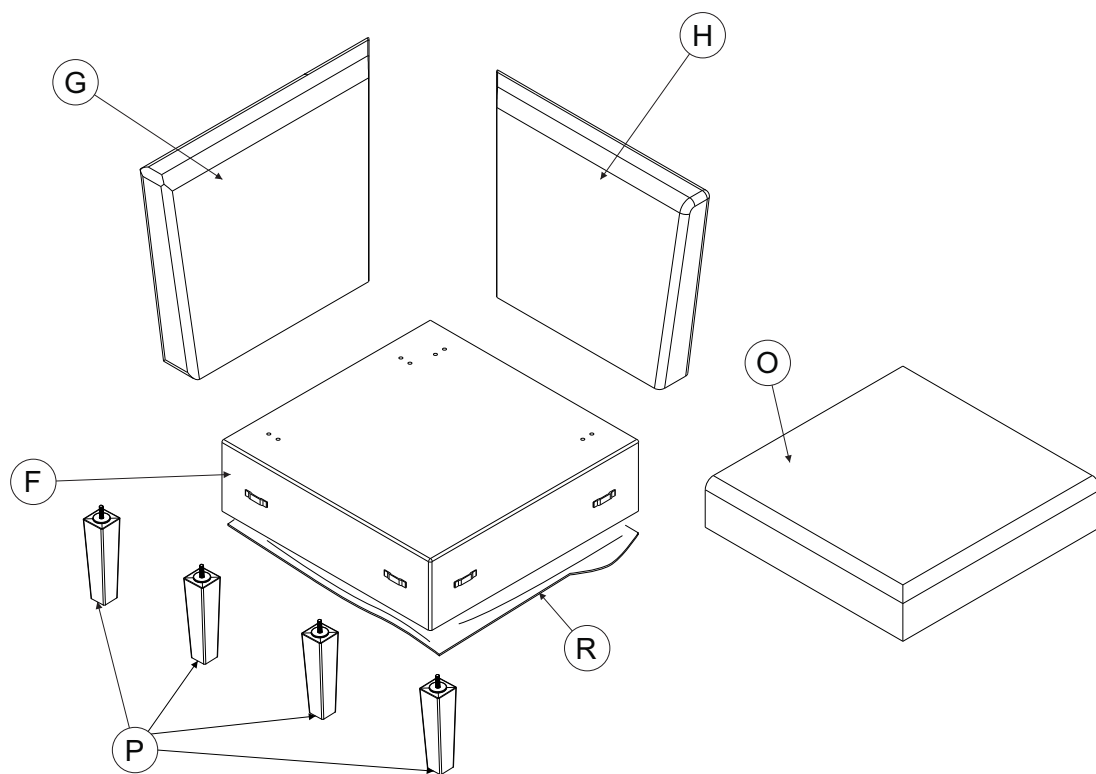
left sofa



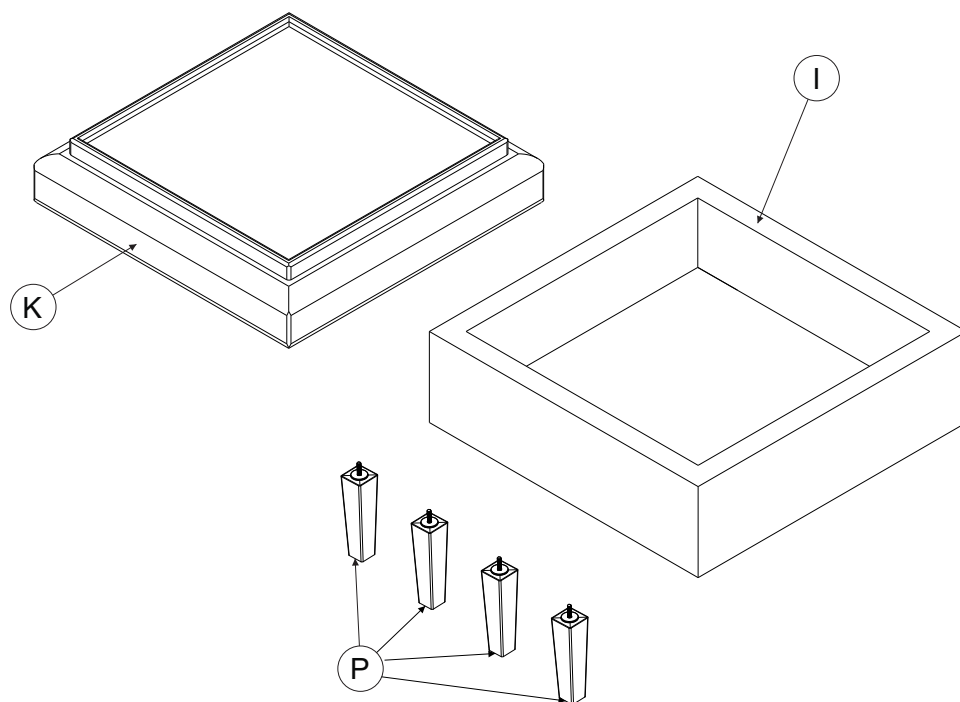
Right sofa



Corner sofa

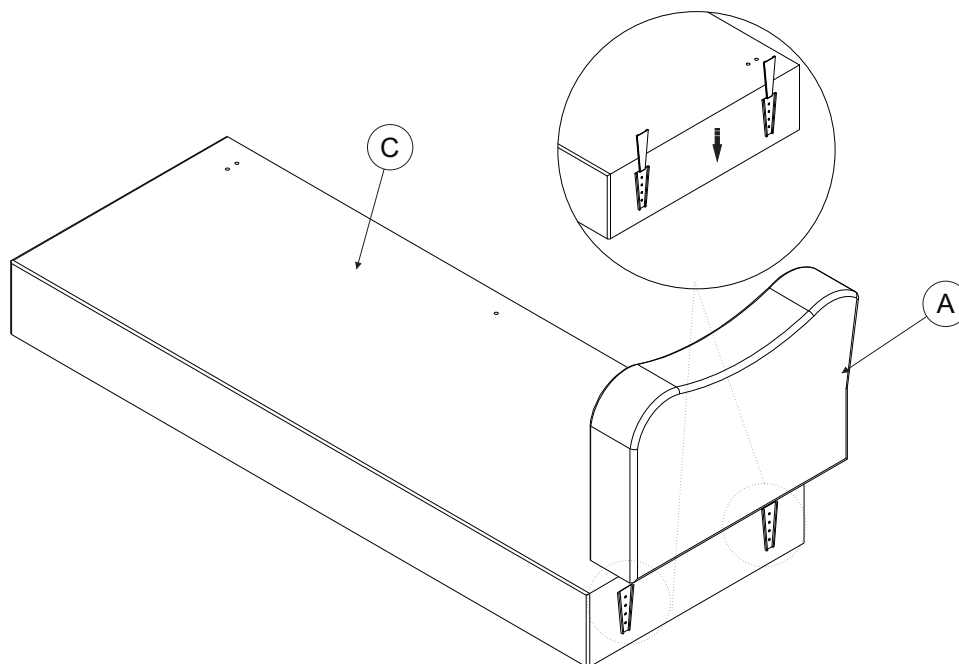


Ottoman



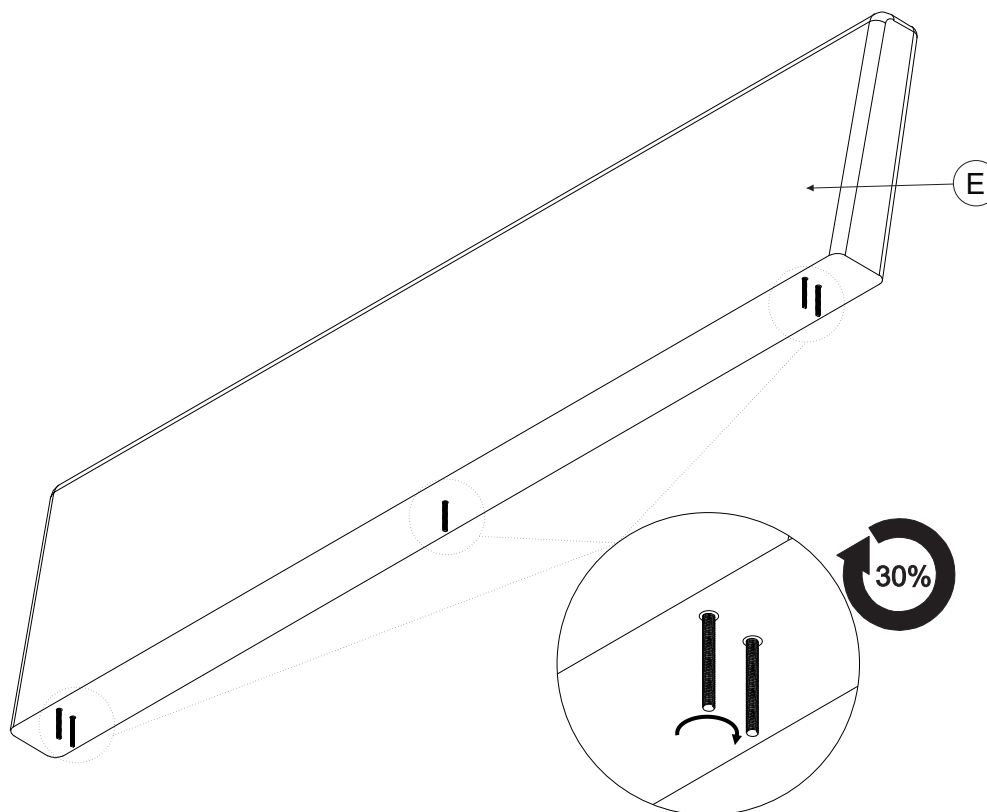
Left sofa

step 1: Assemble the Armrest (left) (Part A) to the Seat frame (left)(Part C) follow the direction shown in the circle.

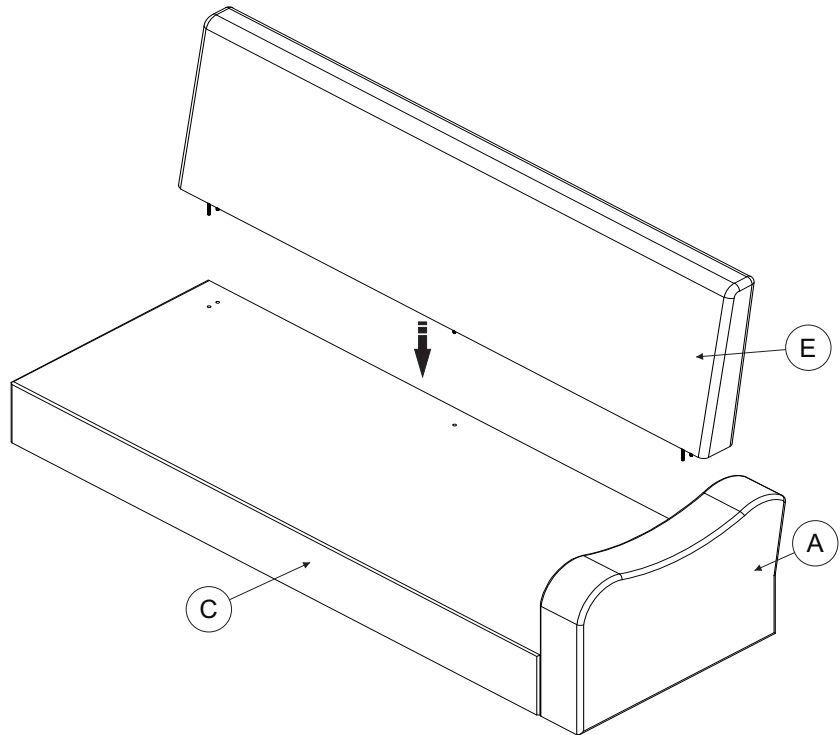


step 2 :Connect the Screws(M8x60) threaded stem to the back frame follow the direction shown in the circle

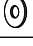


01		5 pcs
----	---	-------

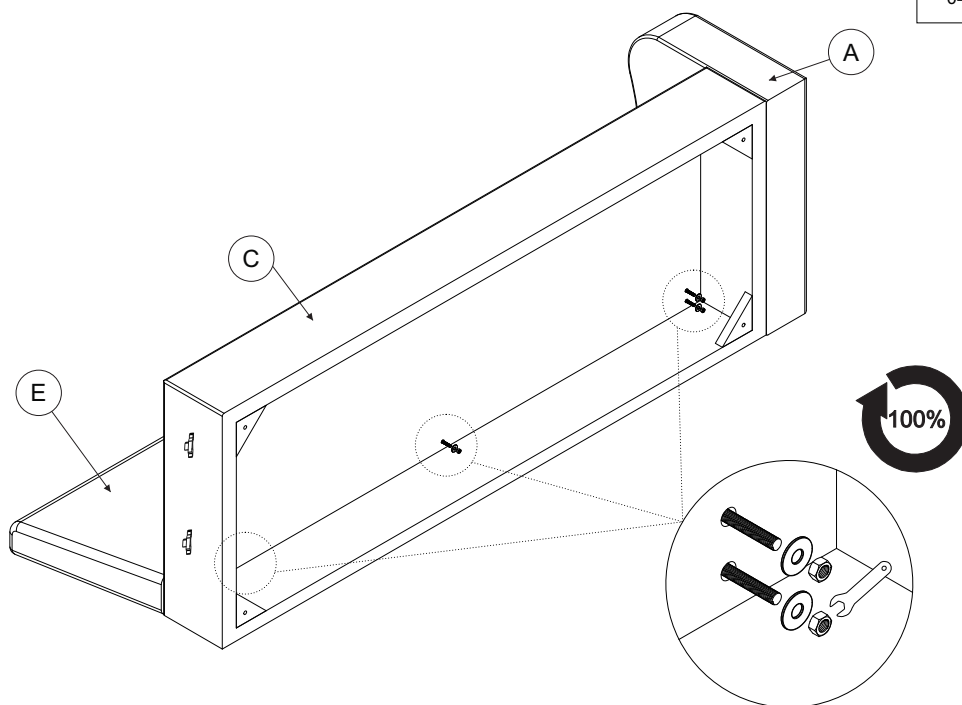


step 3: Connect back frame (part E) to Seat frame(Left) (part C)

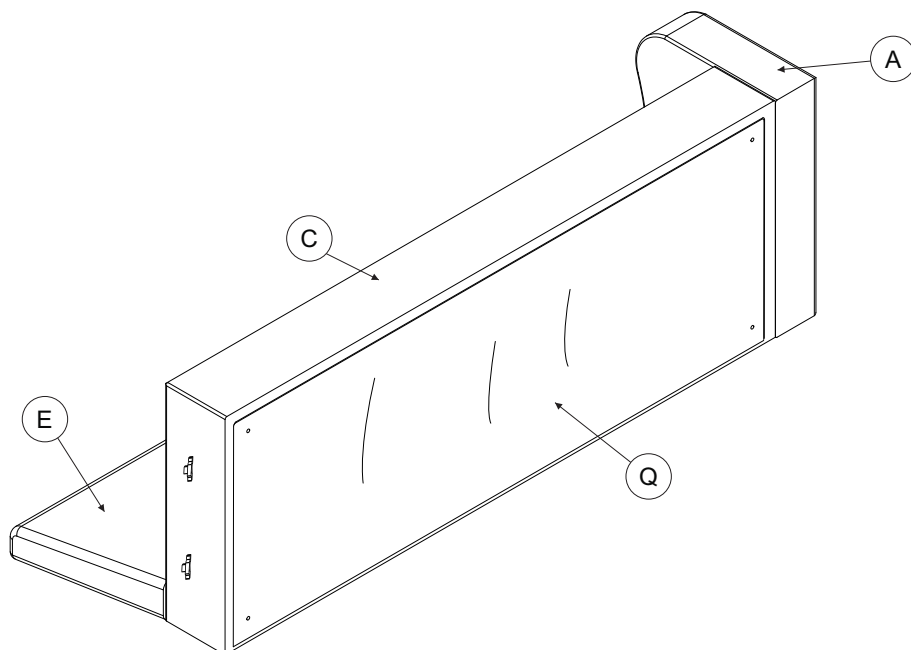


step 4: Connect the Screws(M8x60) with Washer (M8x19x2)and nuts with Wrench follow the direction shown in the circle

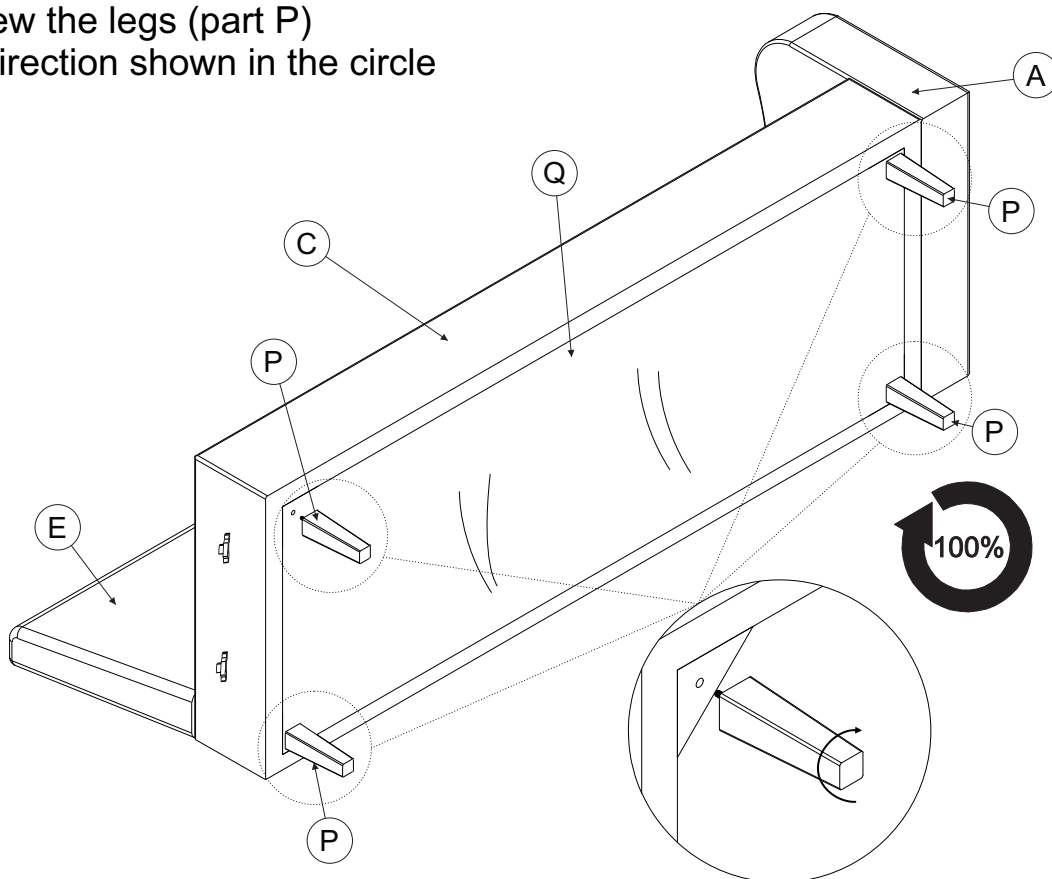
02		5 pcs
03		5 pcs
04		1 pcs



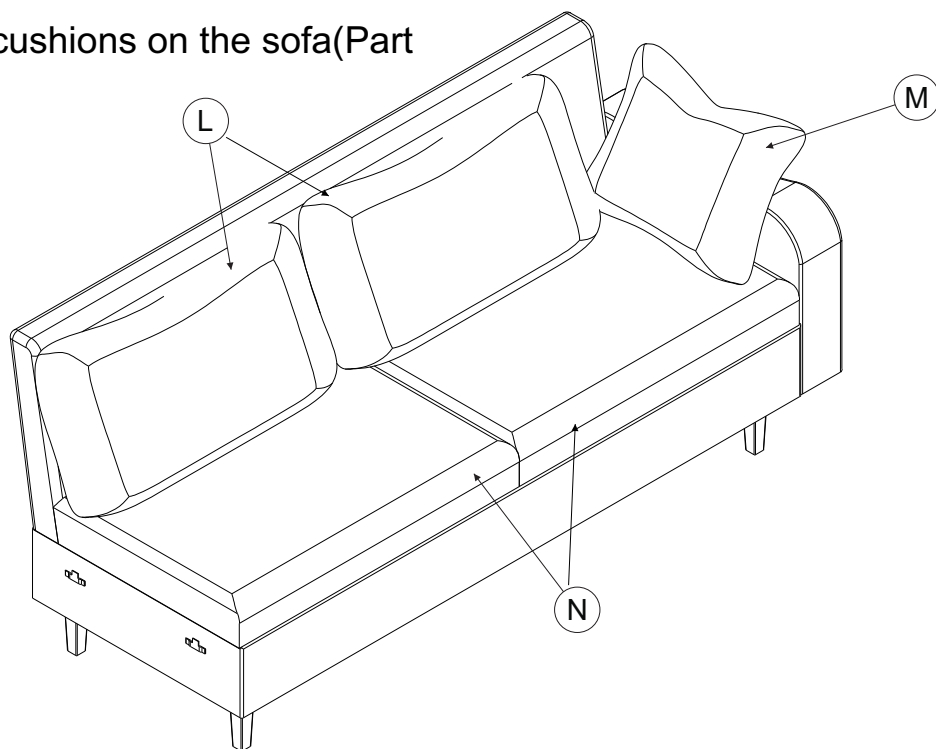
step 5: Seal the bottom with Backing cloth(Part Q)



step 6 :Screw the legs (part P)
follow the direction shown in the circle

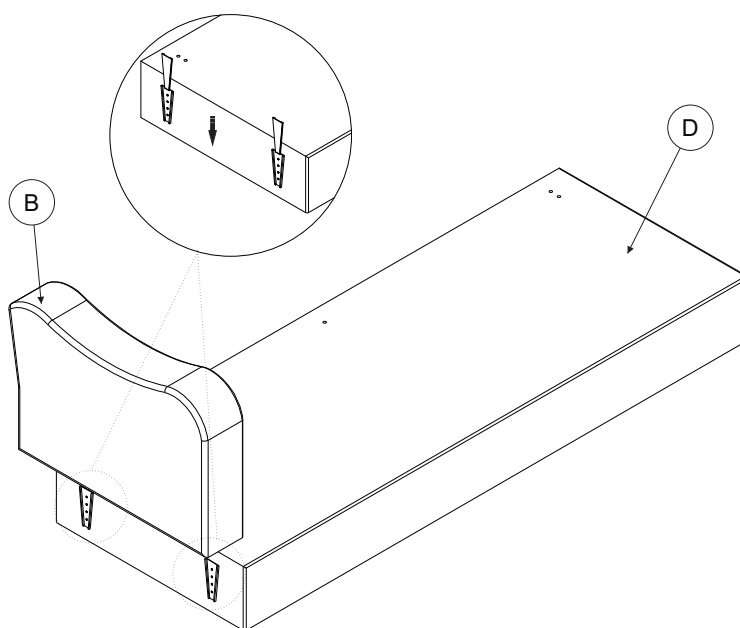


step 7:Put the cushions on the sofa(Part L+M+N)



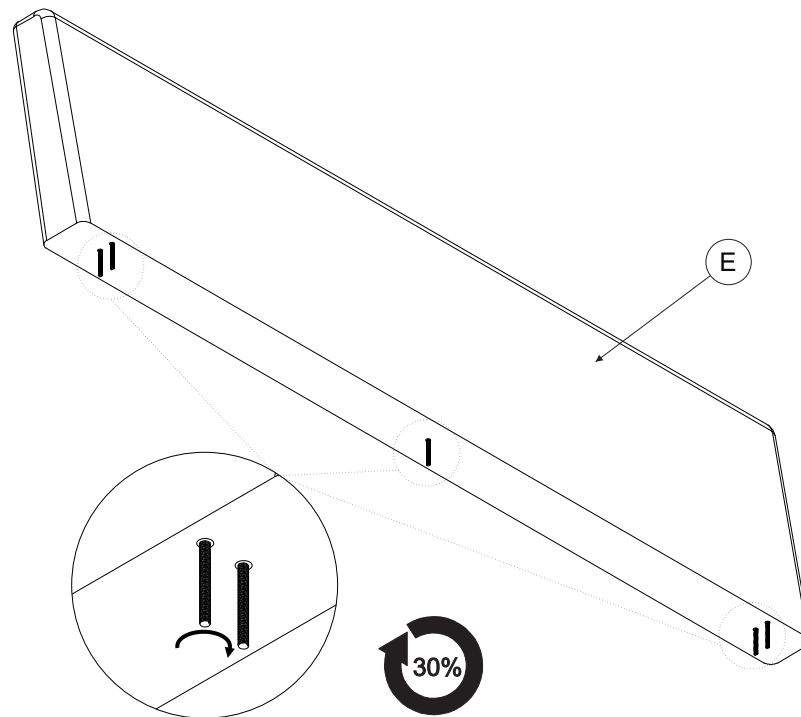
Right sofa

step 1:step 1:Assemble the Armrest (Right) (Part B)to the Seat frame (Right)(Part D)follow the direction shown in the circle

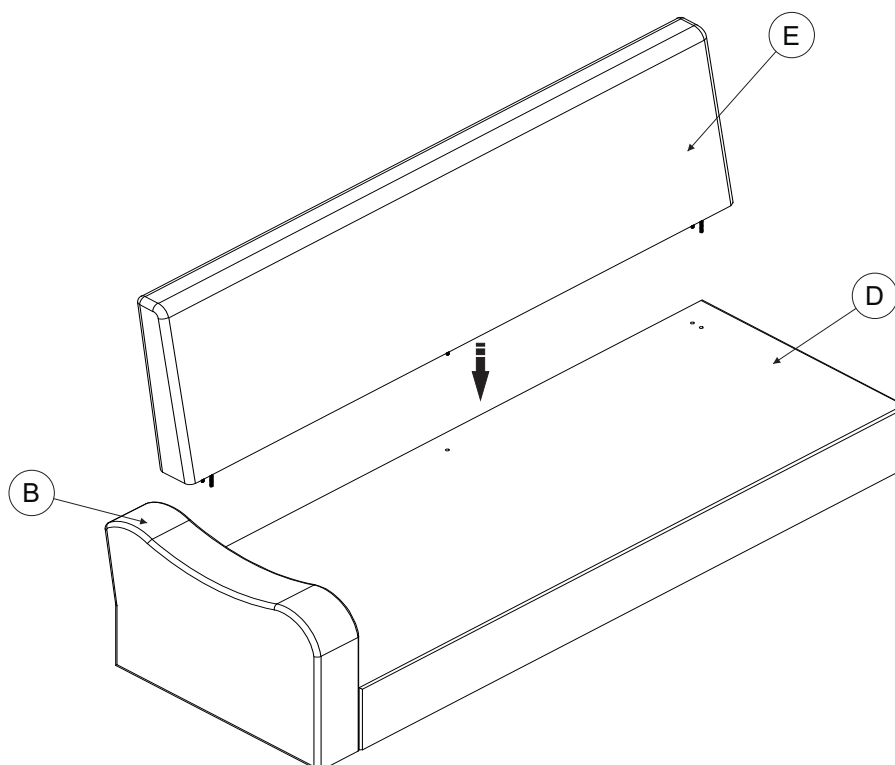


step 2 :Connect the Screws(M8x60) threaded stem to the back frame follow the direction shown in the circle




01		5 pcs
----	---	-------

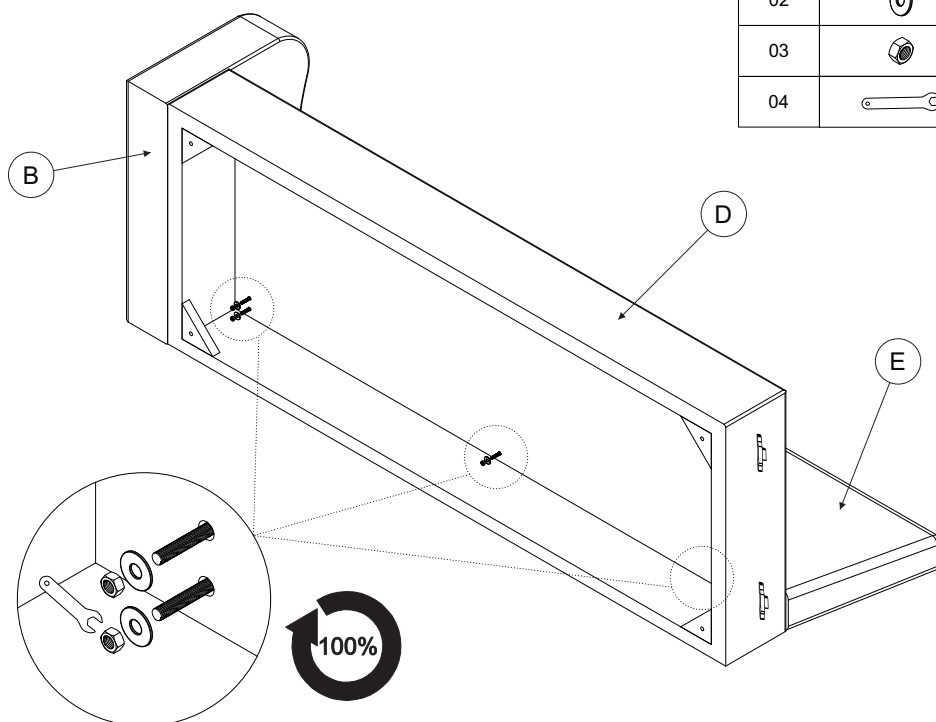


step 3: Connect back frame (part E) to Seat frame (part D)

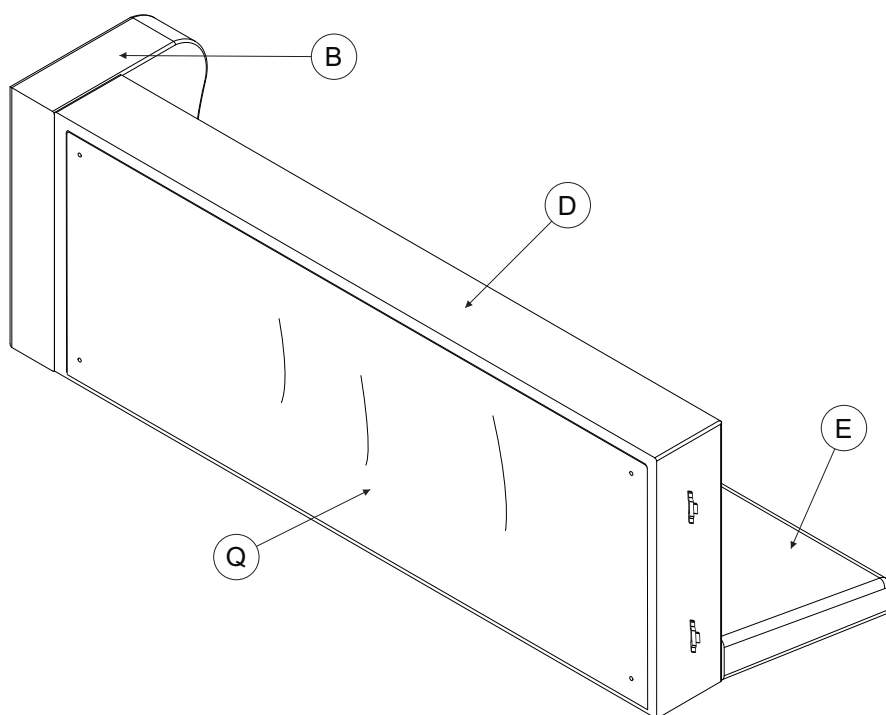


step 4: Connect the Screws(M8x60) with Washer (M8x19x2)and nuts with Wrench follow the direction shown in the circle.

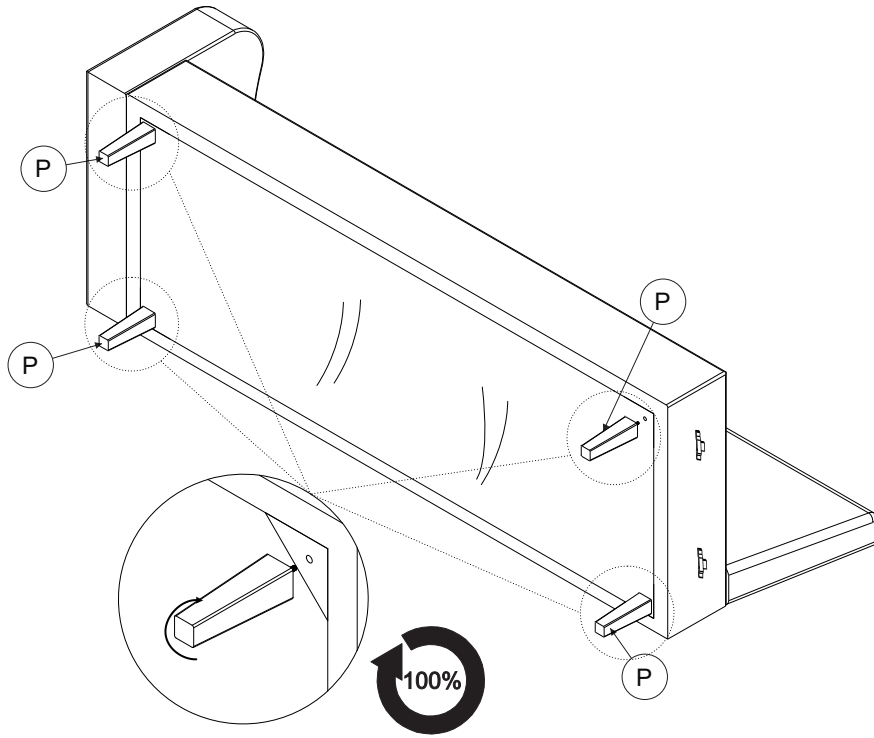
02		5 pcs
03		5 pcs
04		1 pcs



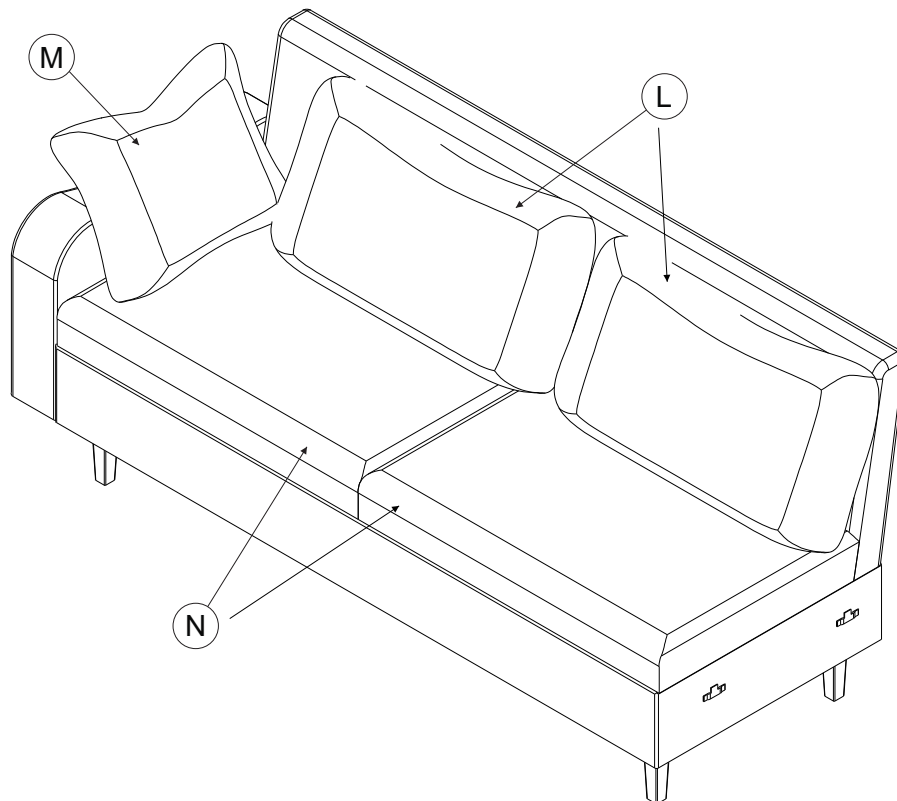
step 5: Seal the bottom with Backing cloth(Part Q)



step 6 :Screw the legs (part P)
follow the direction shown in the circle



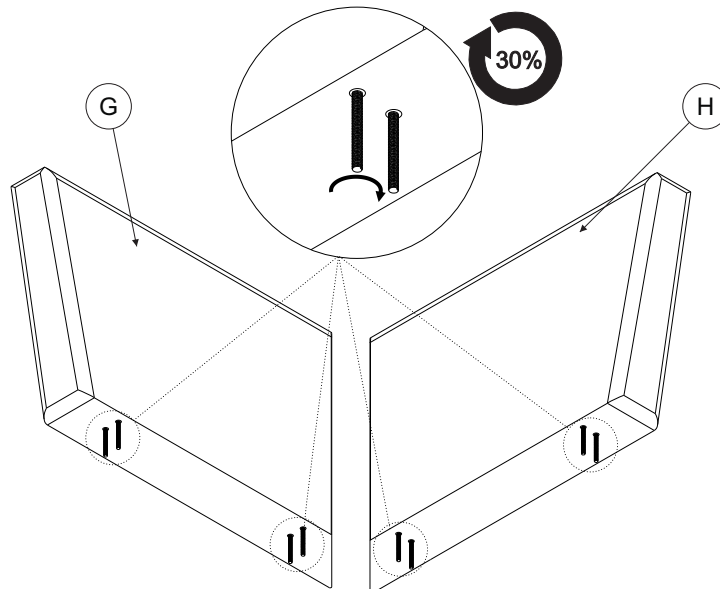
step 7:Put the cushions on the sofa(Part
L+M+N)



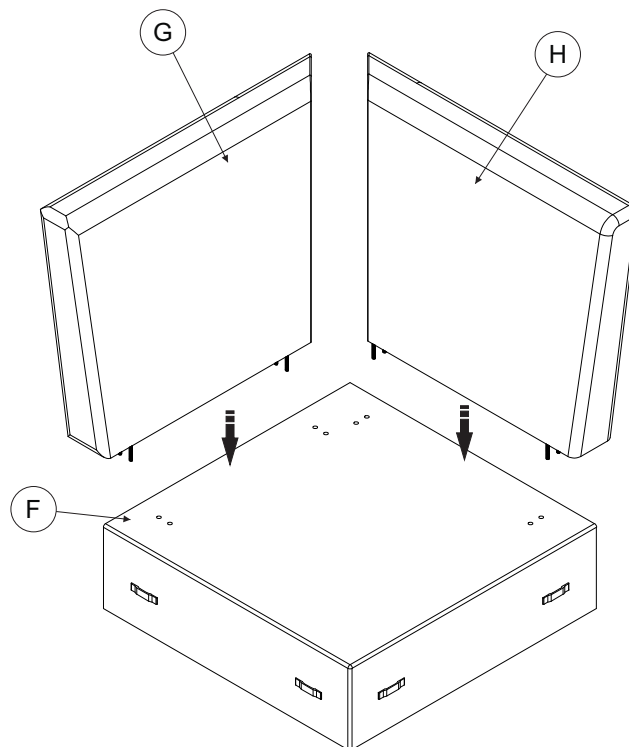
Corner sofa

step 1 :Connect the Screws(M8x60) threaded stem to the Corner back frame(Left) (Part H)and Corner back frame (Right)(Part G) follow the direction shown in the circle




01		8 pcs
----	---	-------

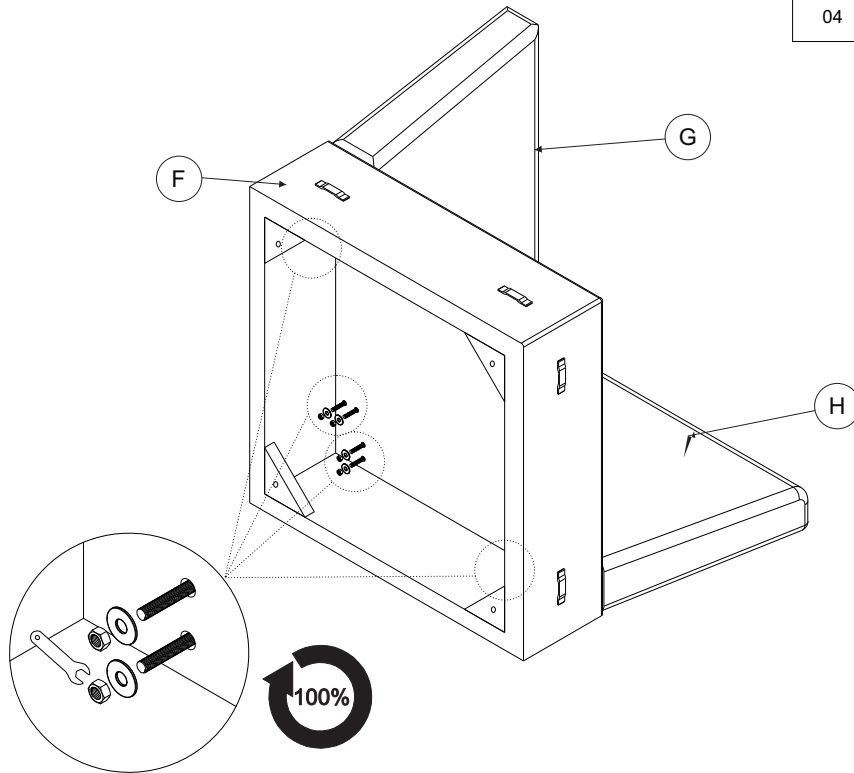


step 2:Connect Corner back frame (Part G) and Corner back frame (Part H) to Corner seat frame (Part F)

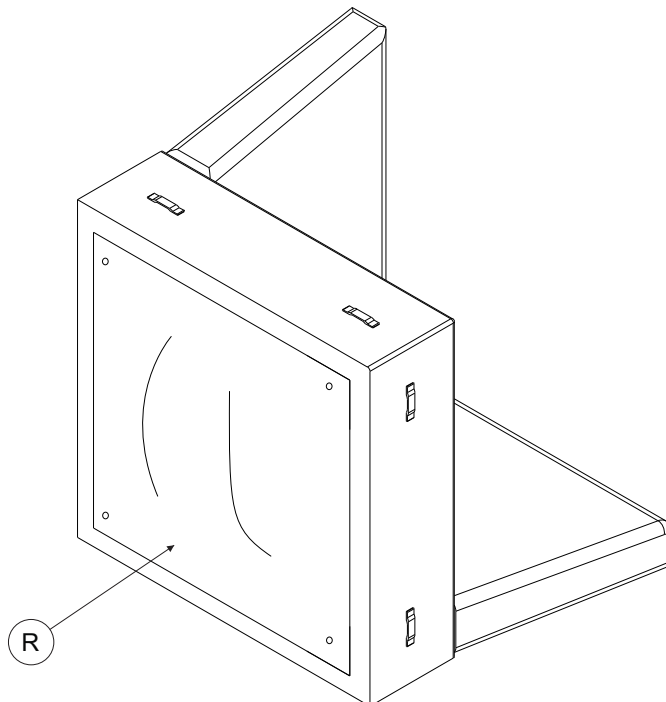


step 3: Connect Screws(M8x60) with washer (M8x19x2) and nut with Wrench follow the direction shown in the circle

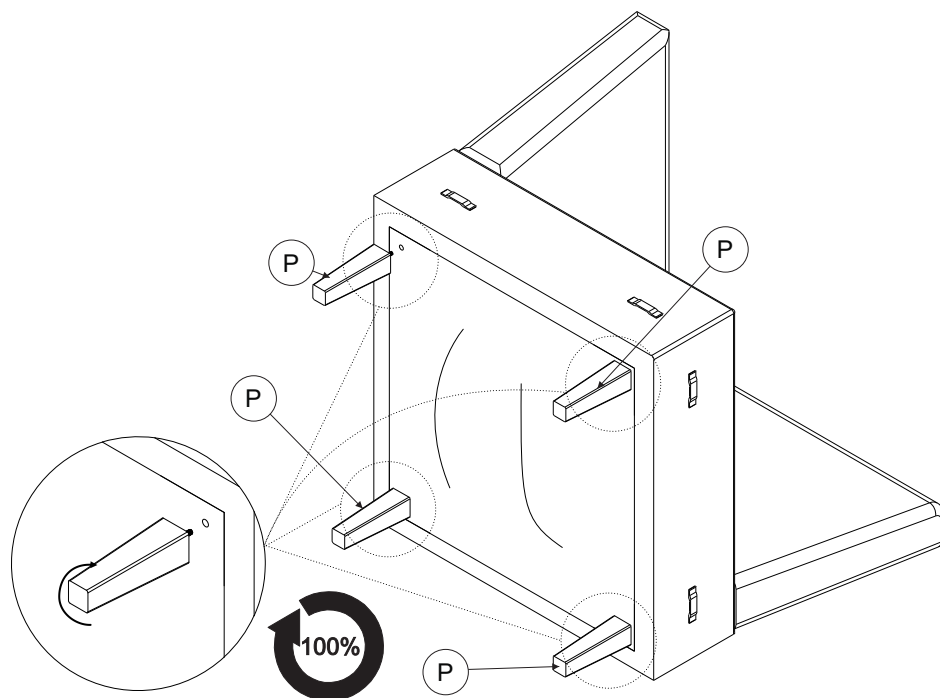
02		8 pcs
03		8 pcs
04		1 pcs



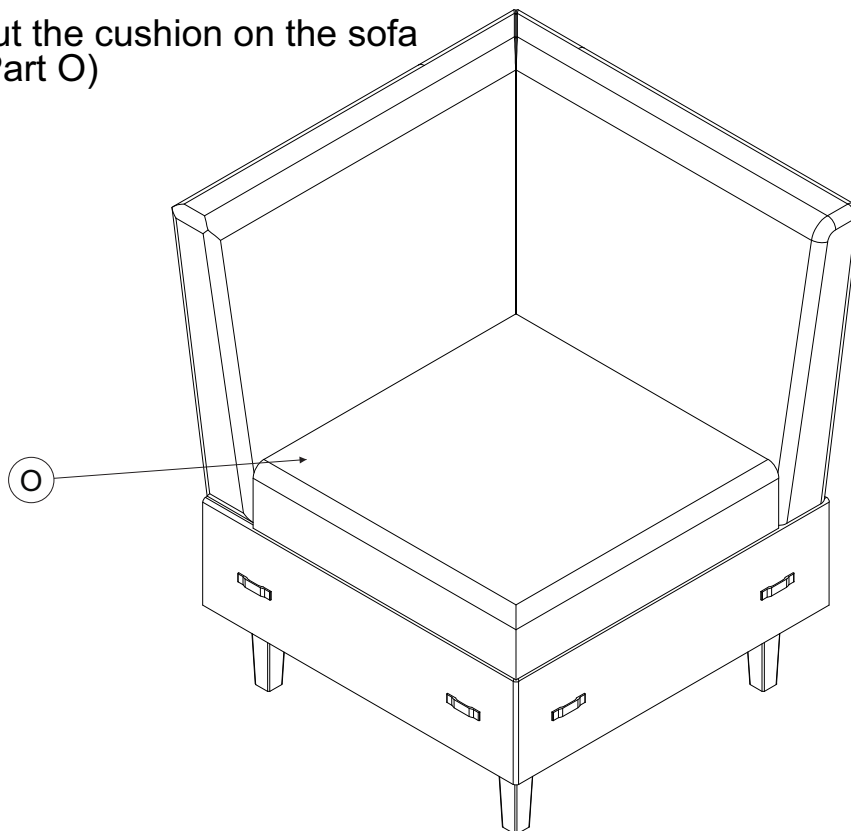
step 4: Seal the bottom with Corner Backing cloth (Part R)



step 5: Screw the legs (Part P)
follow the direction shown in the circle

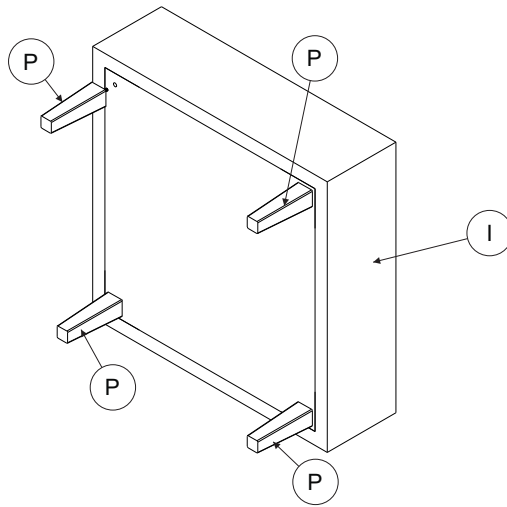


step 6: Put the cushion on the sofa
(Part O)

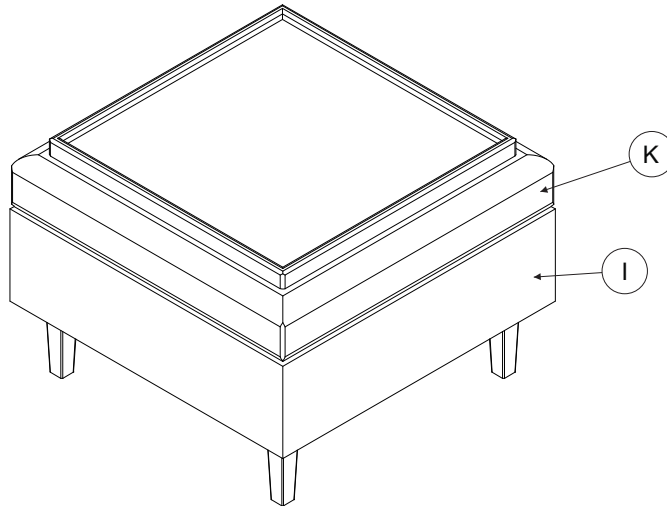


Ottoman

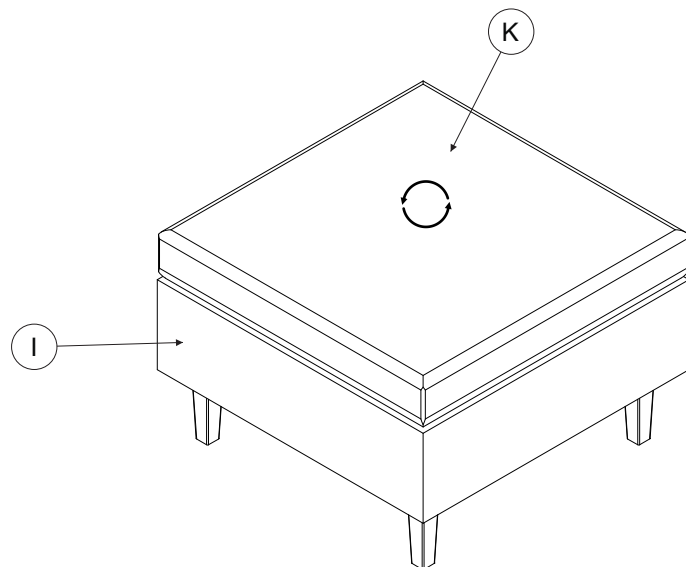
step 1: Screw the legs (Part P)
follow the direction shown in the
circle



step 2



step 3



Follow the direction shown in the circle

