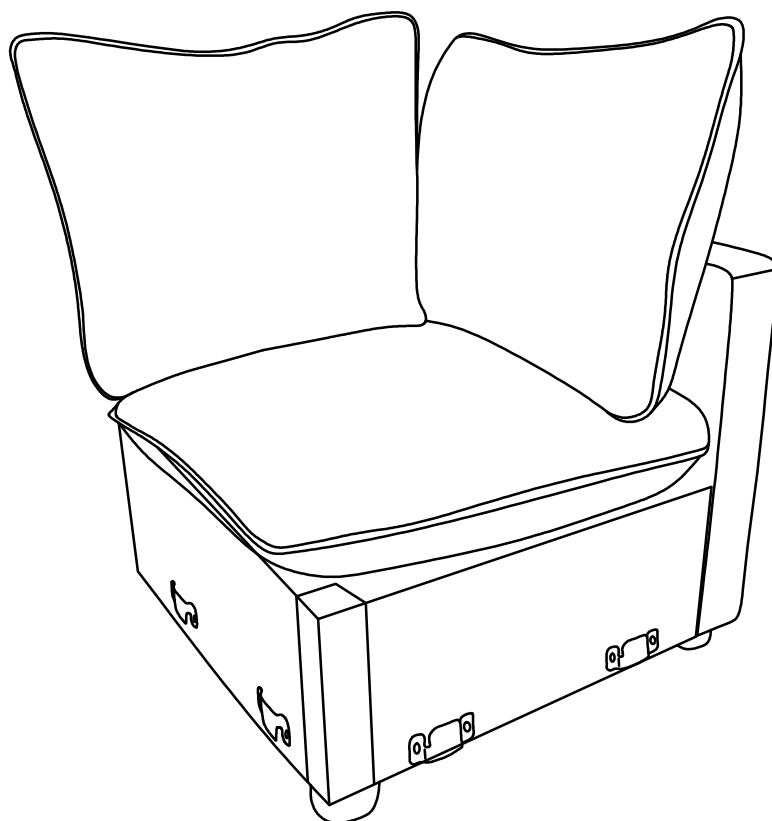


ASSEMBLY INSTRUCTION

WF321078

Friendly Reminder:





- 1.This part is packed in 1 box. Please assemble it After all boxes are received.
- 2.As the cushions are all vacuum compressed,there will be some wrinkles. Please give your cushions up to 72 hours to reach its original size and the wrinkles will basically disappear.
- 3.Please do not open the compressed packags until your sofa frame is completely assembled.



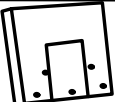
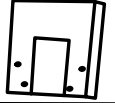





Return & Warranty policy:

- We strive to offer the highest quality products,and we also try our best to satisfy each and every customer that orders from us with replacement parts or service as needed.
- If the item is damaged or defective, please take photos as evidence for replacements and refunds.
- Please do not return to store,contact the seller if you have any troubles with this product.

ASSEMBLY INSTRUCTION

HARDWARE			
NO	DESCRIPTION	SKETCH	QTY
1	Washer		9
2	Gasket		5
3	Screws 8X60		9
4	Wrench		1

PARTS LIST WF321078			
NO	DESCRIPTION	SKETCH	QTY
C	Corner seat frame		1
E	Seat cushion		1
H	Corner back frame		1
G	Neutral back frame		1
J	Back cushion		1
K	Corner back cushion		1
R	Leg		5

ASSEMBLY INSTRUCTION

All parts and hardware.

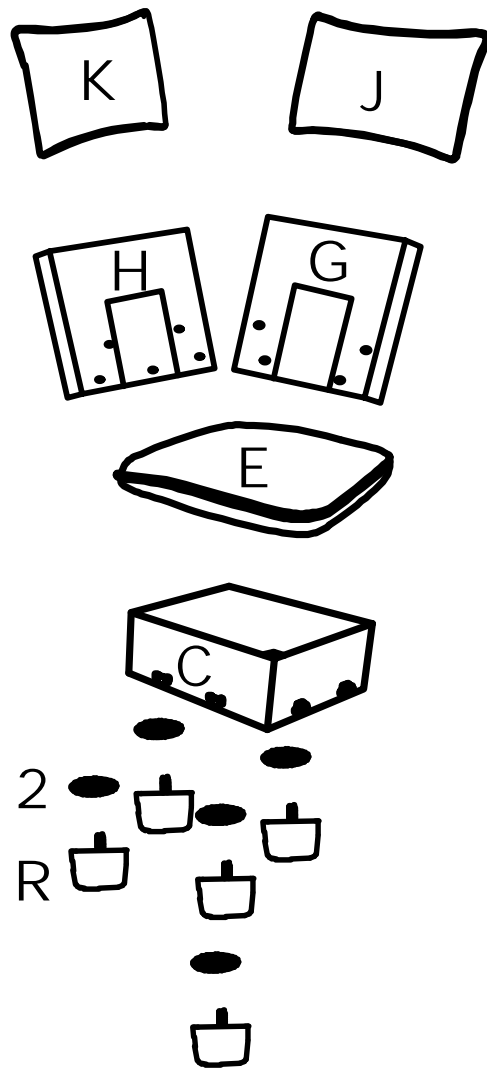


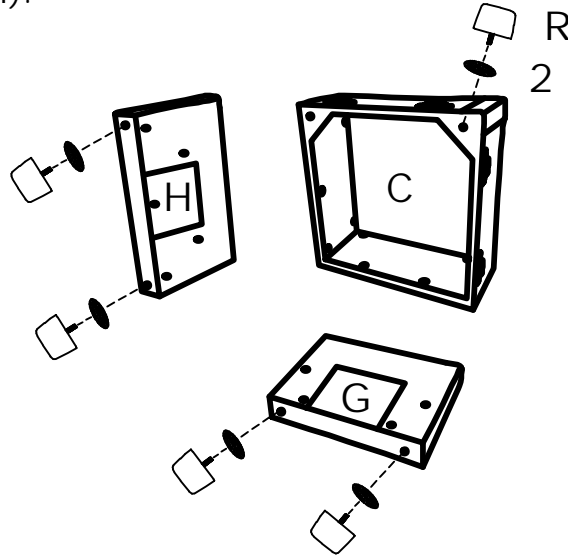
DIAGRAM 1 (Assemble the Leg)

2



5PCS

Tighten Legs (Part R) by Gasket (Hardware 2) On the Corner seat frame (Part C) and Neutral back frame (Part G) and Corner back frame (Part H).

**DIAGRAM 2** (Assemble the Back frame)

1



9PCS

3



M8X60

9PCS

Connect Corner seat frame (Part C) and Neutral back frame (Part G) and Corner back frame (Part H) with Washer (Hardware 1) and Screws 8X60 (Hardware 3).

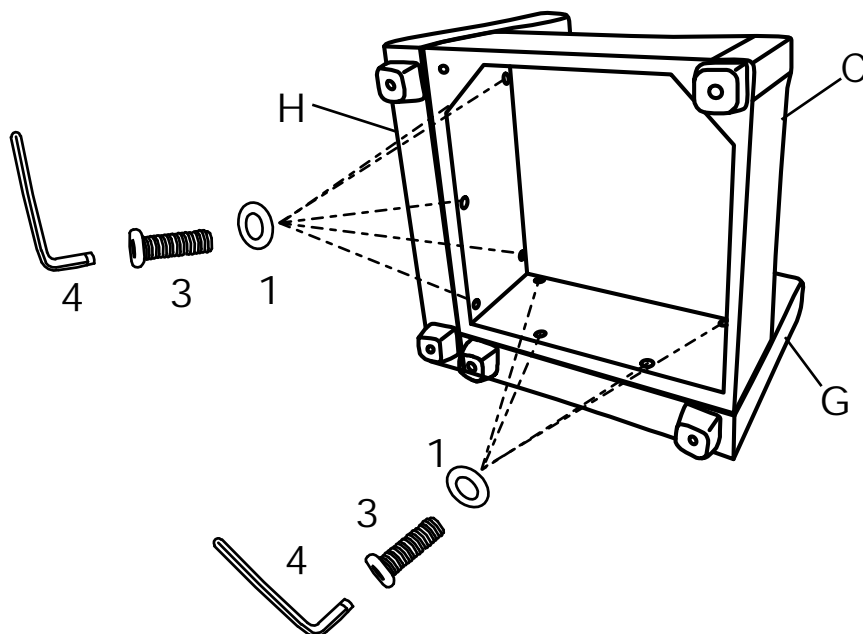
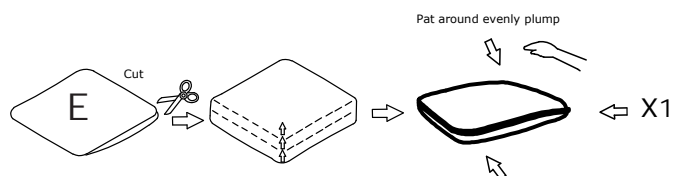


DIAGRAM 3 (Removal of compression bag)

Remove the Seat cushion (Part E).

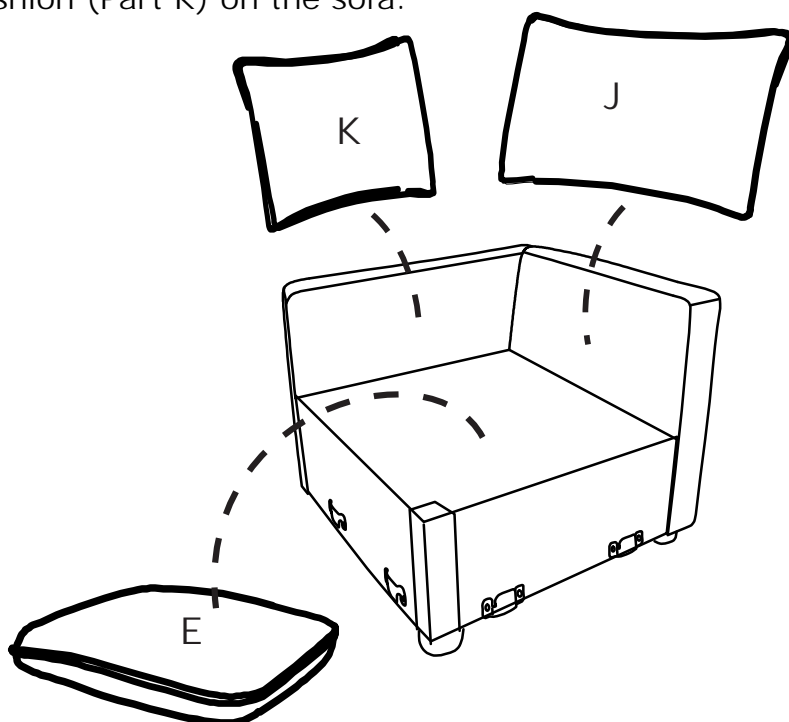


TIPS

1. Please do not open the compressed packages until your sofa frame is completely assembled.
2. Compressed back cushions and pillows need to be fully fulfilled within 72 hours for your perfect use.
3. Please keep children away from plastic bags or any small pieces of stuff.

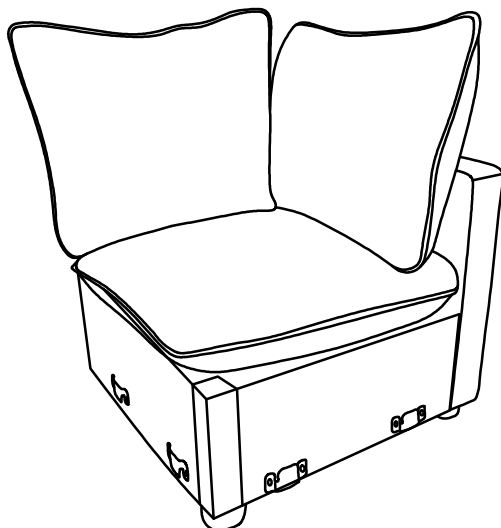
DIAGRAM 4 (Put the Cushion)

Place the Seat cushion (Part E) and Back cushion (Part J) and Corner back cushion (Part K) on the sofa.



TIPS

1. Please do not open the compressed packages until your sofa frame is completely assembled.
2. Compressed back cushions and pillows need to be fully fulfilled within 72 hours for your perfect use.
3. Please keep children away from plastic bags or any small pieces of stuff.



Connect each Seat frame in turn right to left.

