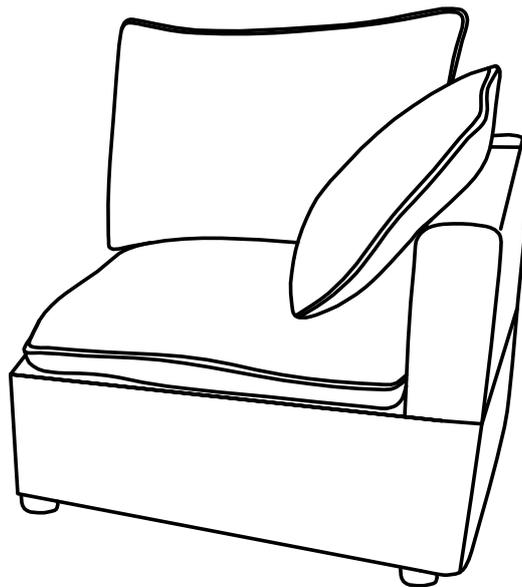


ASSEMBLY INSTRUCTION

WF321719

Friendly Reminder:

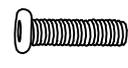
- 1.This part is packed in 1 box. Please assemble it After all boxes are received.
- 2.As the cushions are all vacuum compressed,there will be some wrinkles. Please give your cushions up to 72 hours to reach its original size and the wrinkles will basically disappear.
- 3.Please do not open the compressed packages until your sofa frame is completely assembled.

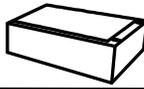
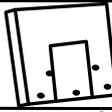


Return & Warranty policy:

- We strive to offer the highest quality products,and we also try our best to satisfy each and every customer that orders from us with replacement parts or service as needed.
- If the item is damaged or defective, please take photos as evidence for replacements and refunds.
- Please do not return to store,contact the seller if you have any troubles with this product.

ASSEMBLY INSTRUCTION

HARDWARE			
NO	DESCRIPTION	SKETCH	QTY
1	Washer		5
2	Gasket		4
3	Screws 8X60		5
4	Wrench		1
5	Insert		2

PARTS LIST WF321719			
NO	DESCRIPTION	SKETCH	QTY
D	Right seat frame		1
E	Seat cushion		1
O	Side back frame		1
J	Back cushion		1
M	Right armrest		1
N	Pillow		1
R	Leg		4

ASSEMBLY INSTRUCTION

All parts and hardwares.

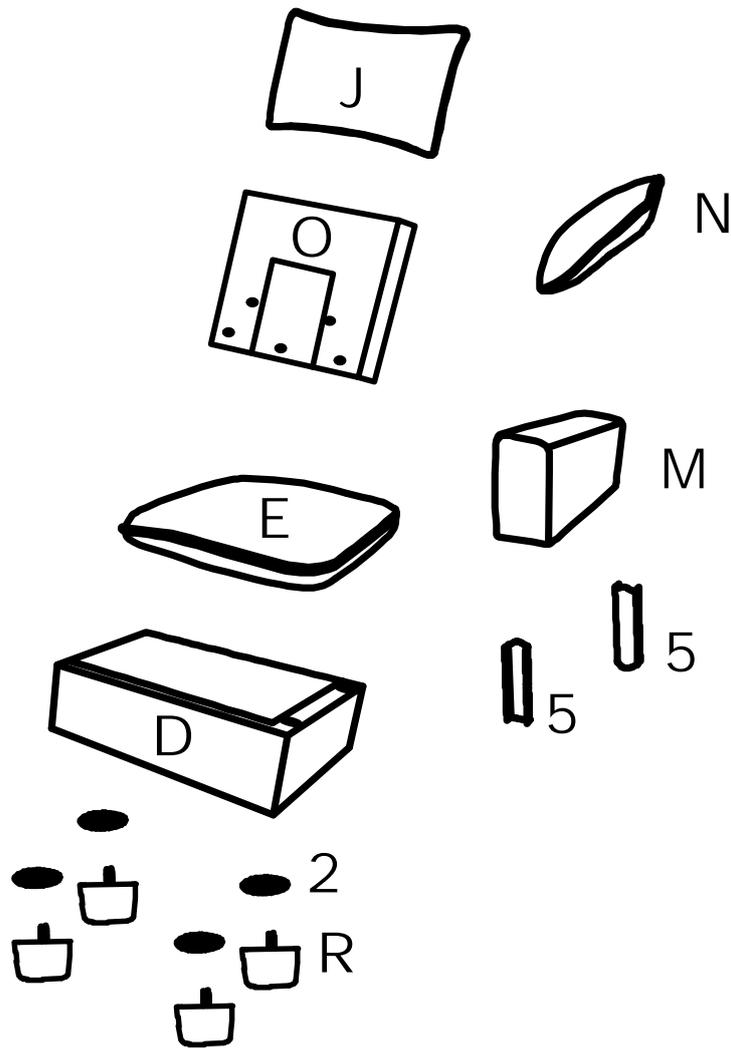


DIAGRAM 1 (Assemble the Insert)

Insert the Insert (Hardware 5) into the Right armrest (Part M).

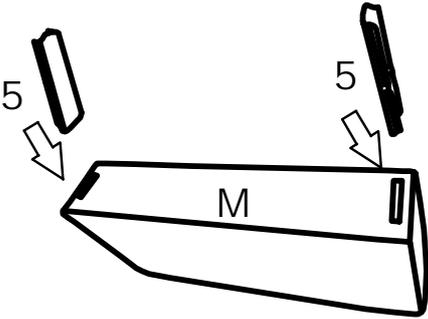


DIAGRAM 2 (Assemble the Armrest)

Insert the Right armrest (Part M) into the Right seat frame (Part D).

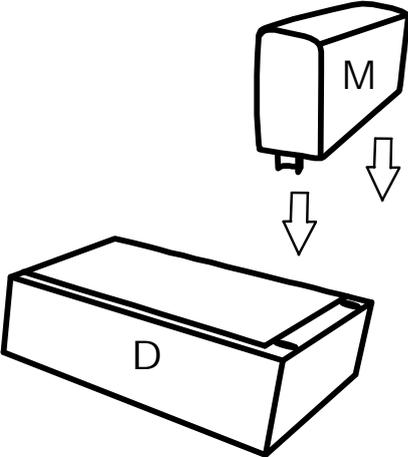


DIAGRAM 3 (Assemble the Leg)

2		4PCS
---	---	------

Tighten Legs (Part R) by Gasket (Hardware 2) on the Right seat frame (Part D) and Side back frame (Part O).

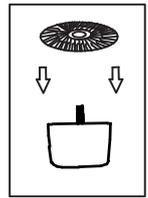
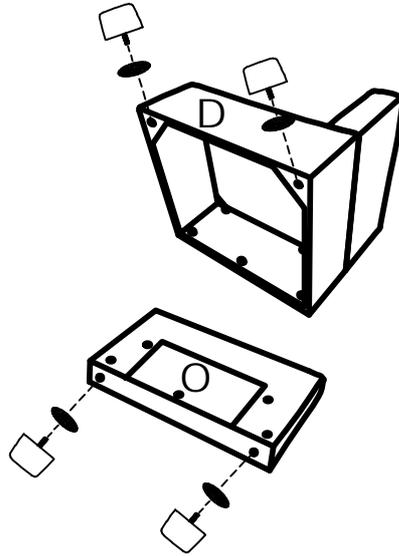


DIAGRAM 4 (Assemble the Back frame)

1		5PCS
3	 M8X60	5PCS

Connect Right seat frame (Part D) and Side back frame (Part O) with Washer (Hardware 1) and Screws 8X60 (Hardware 3).

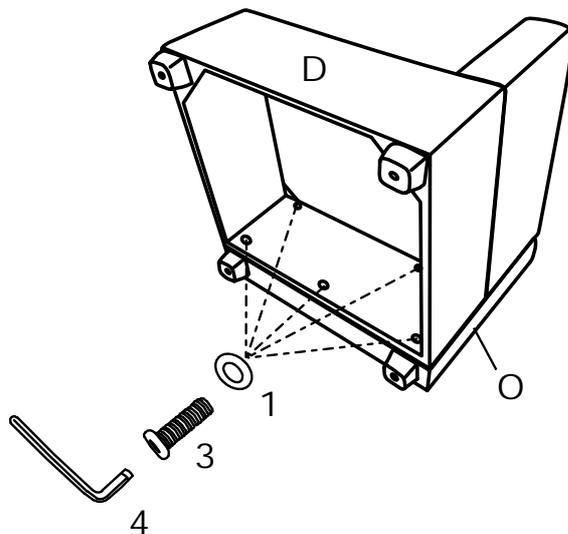
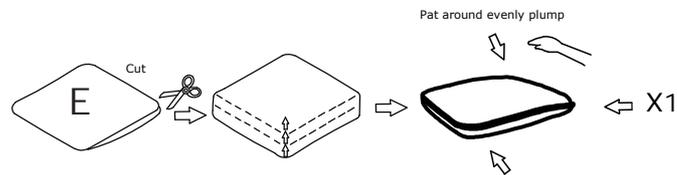


DIAGRAM 5 (Removal of compression bag)

Remove the Seat cushion (Part E).

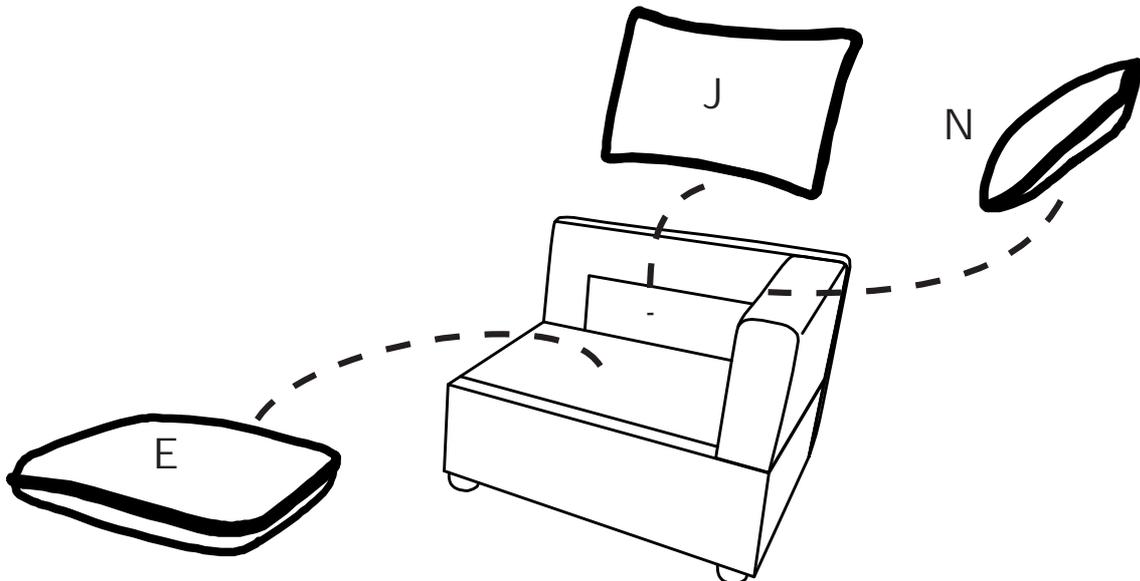


TIPS

1. Please do not open the compressed packages until your sofa frame is completely assembled.
2. Compressed back cushions and pillows need to be fully fulfilled within 72 hours for your perfect use.
3. Please keep children away from plastic bags or any small pieces of stuff.

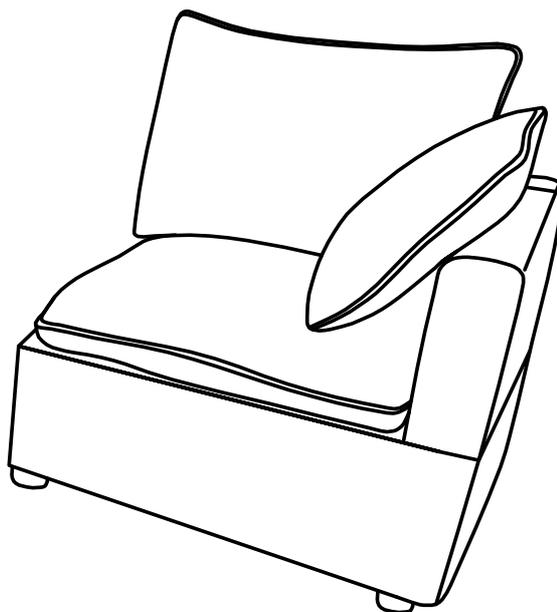
DIAGRAM 6 (Put the Cushion)

Place the Seat cushion (Part E) and Back cushion (Part J) and Pillow (Part N) on the sofa.



TIPS

1. Please do not open the compressed packages until your sofa frame is completely assembled.
2. Compressed back cushions and pillows need to be fully fulfilled within 72 hours for your perfect use.
3. Please keep children away from plastic bags or any small pieces of stuff.



Connect each Seat frame in turn right to left.

