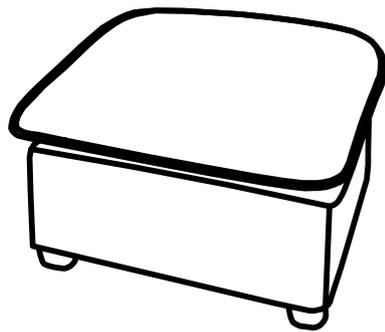


ASSEMBLY INSTRUCTION

WF321079

Friendly Reminder:

- 1.This part is packed in 1 box. Please assemble it After all boxes are received.
- 2.As the cushions are all vacuum compressed,there will be some wrinkles. Please give your cushions up to 72 hours to reach its original size and the wrinkles will basically disappear.
- 3.Please do not open the compressed packags until your sofa frame is completely assembled.



Return & Warranty policy:

- We strive to offer the highest quality products,and we also try our best to satisfy each and every customer that orders from us with replacement parts or service as needed.
- If the item is damaged or defective, please take photos as evidence for replacements and refunds.
- Please do not return to store,contact the seller if you have any troubles with this product.

ASSEMBLY INSTRUCTION

HARDWARE

NO	DESCRIPTION	SKETCH	QTY
2	Gasket		4

PARTS LIST WF321079

NO	DESCRIPTION	SKETCH	QTY
P	Ottoman frame		1
Q	Ottoman cushion		1
R	Leg		4

ASSEMBLY INSTRUCTION

All parts and hardware.

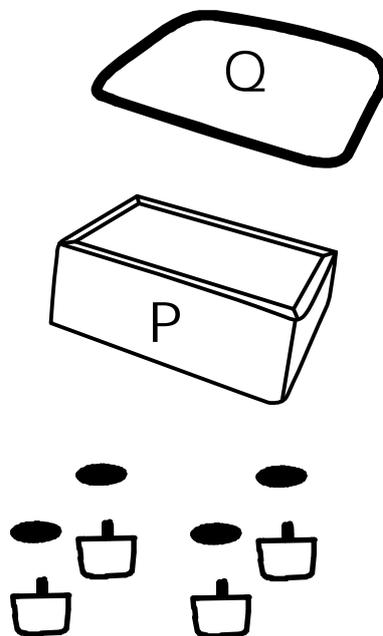


DIAGRAM 1 (Assemble the Leg)

2



4PCS

Tighten Legs (Part R) by Gasket (Hardware 2) on the Ottoman frame (Part P) .

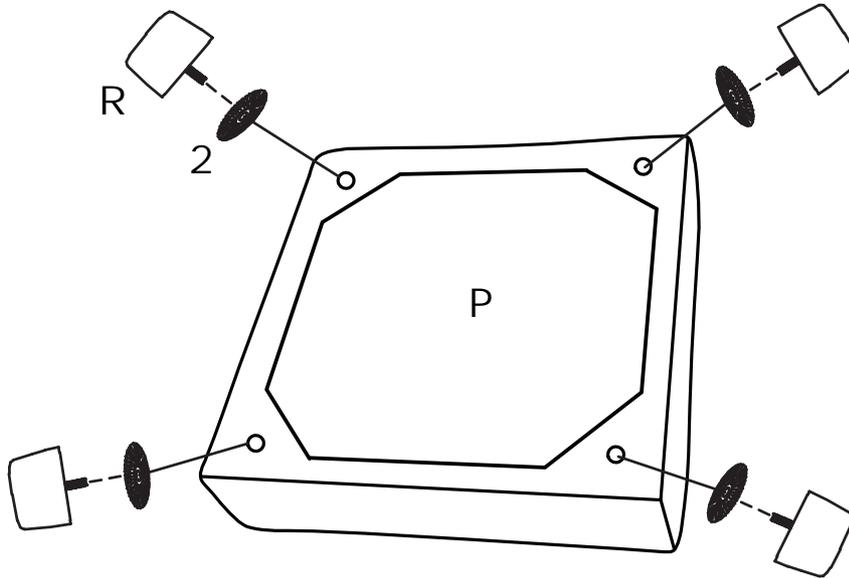
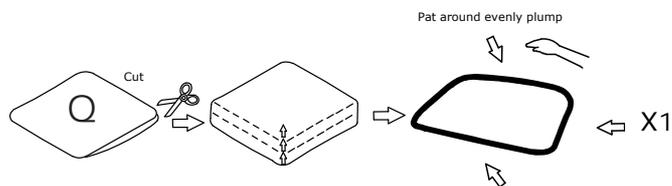


DIAGRAM 2 (Removal of compression bag)

Remove the Ottoman cushion (Part Q) .

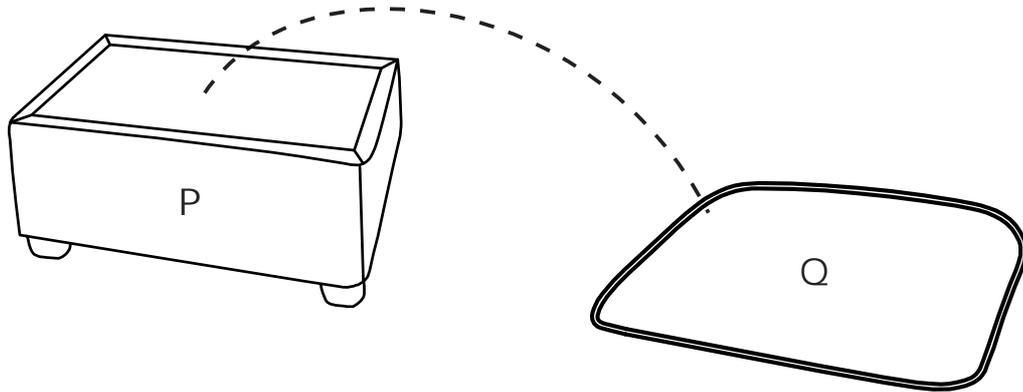


TIPS

1. Please do not open the compressed packages until your sofa frame is completely assembled.
2. Compressed back cushions and pillows need to be fully fulfilled within 72 hours for your perfect use.
3. Please keep children away from plastic bags or any small pieces of stuff.

DIAGRAM 3 (Put the Ottoman cushion)

Place the Ottoman cushion (Part Q) on the Ottoman frame (Part P) .



TIPS

1. Please do not open the compressed packages until your sofa frame is completely assembled.
2. Compressed back cushions and pillows need to be fully fulfilled within 72 hours for your perfect use.
3. Please keep children away from plastic bags or any small pieces of stuff.

