

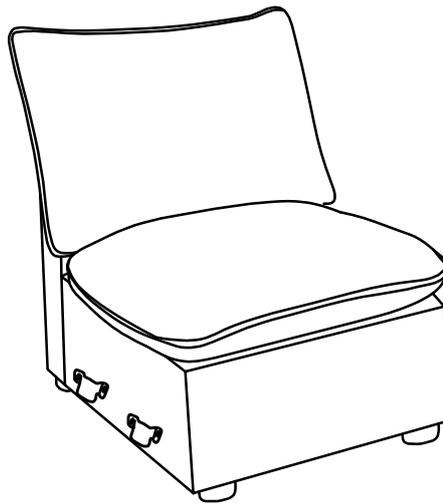
# **ASSEMBLY INSTRUCTION**

---

## **WF321077**

### Friendly Reminder:

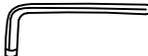
- 1.This part is packed in 1 box. Please assemble it After all boxes are received.
- 2.As the cushions are all vacuum compressed,there will be some wrinkles. Please give your cushions up to 72 hours to reach its original size and the wrinkles will basically disappear.
- 3.Please do not open the compressed packages until your sofa frame is completely assembled.



### Return & Warranty policy:

- We strive to offer the highest quality products,and we also try our best to satisfy each and every customer that orders from us with replacement parts or service as needed.
- If the item is damaged or defective, please take photos as evidence for replacements and refunds.
- Please do not return to store,contact the seller if you have any troubles with this product.

# ASSEMBLY INSTRUCTION

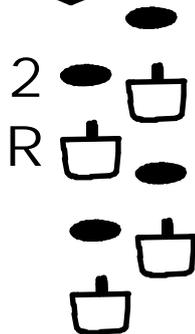
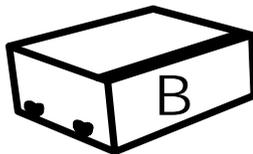
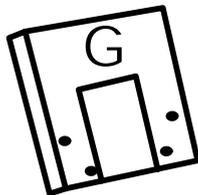
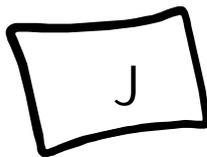
<b>HARDWARE</b>			
NO	DESCRIPTION	SKETCH	QTY
1	Washer		4
2	Gasket		4
3	Screws 8X60		4
4	Wrench		1

<b>PARTS LIST WF321077</b>			
NO	DESCRIPTION	SKETCH	QTY
B	Neutral seat frame		1
E	Seat cushion		1
G	Neutral back frame		1
J	Back cushion		1
R	Leg		4

# ASSEMBLY INSTRUCTION

---

All parts and hardware.



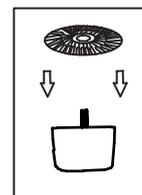
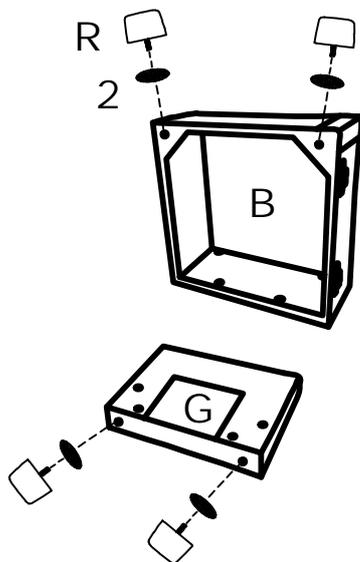
### DIAGRAM 1 (Assemble the Leg)

2



4PCS

Tighten Legs (Part R) by Gasket (Hardware 2) on the Neutral seat frame (Part B) and Neutral back frame (Part G).



### DIAGRAM 2 (Assemble the Back frame)

1



4PCS

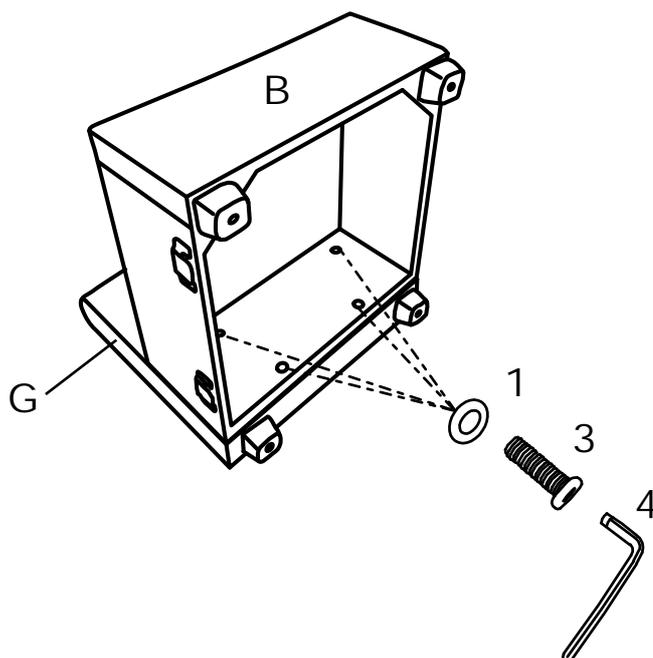
3



M8X60

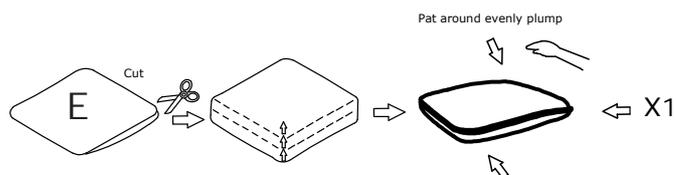
4PCS

Connect Neutral seat frame (Part B) and Neutral back frame (Part G) with Washer (Hardware 1) and Screws 8X60 (Hardware 3).



### DIAGRAM 3 ( Removal of compression bag )

Remove the Seat cushion (Part E).

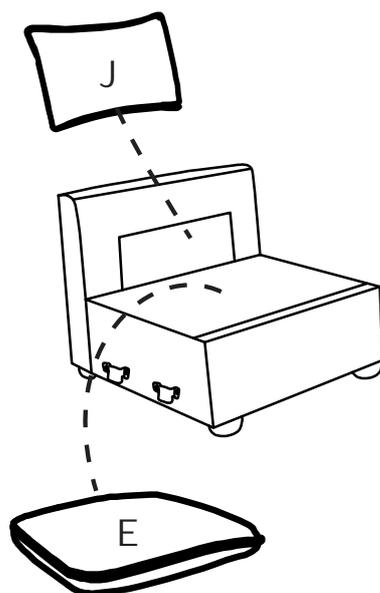


#### TIPS

1. Please do not open the compressed packages until your sofa frame is completely assembled.
2. Compressed back cushions and pillows need to be fully fulfilled within 72 hours for your perfect use.
3. Please keep children away from plastic bags or any small pieces of stuff.

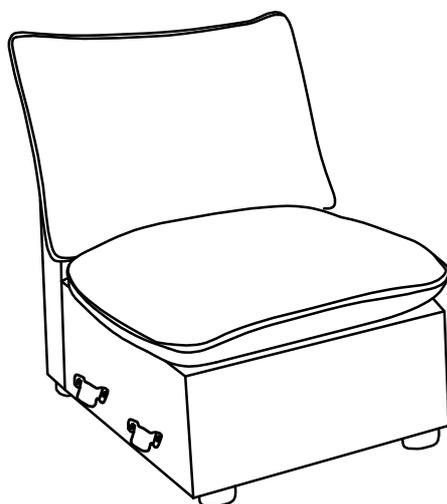
### DIAGRAM 4 (Put the Cushion )

Place the Seat cushion (Part E) and Back cushion (Part J) on the sofa.



### TIPS

1. Please do not open the compressed packages until your sofa frame is completely assembled.
2. Compressed back cushions and pillows need to be fully fulfilled within 72 hours for your perfect use.
3. Please keep children away from plastic bags or any small pieces of stuff.



Connect each Seat frame in turn right to left.

