

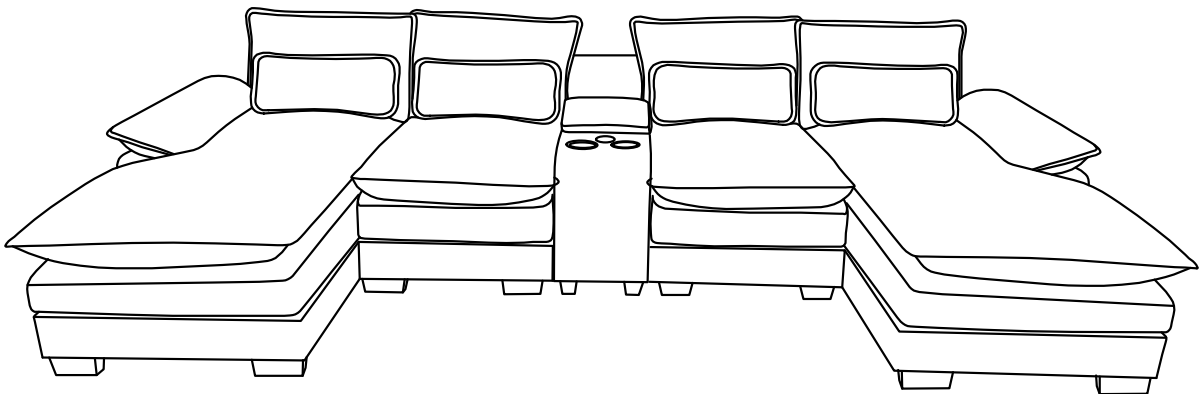
ASSEMBLY INSTRUCTION

WF310165
WF310167

WF310166
WF321054

Friendly Reminder:

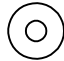


- 1.This sofa is packed in 4 boxes. Please assemble it After all boxes are received.
- 2.As the cushions are all vacuum compressed,there will be some wrinkles. Please give your cushions up to 72 hours to reach its original size and the wrinkles will basically disappear.
- 3.Please do not open the compressed packages until your sofa frame is completely assembled.

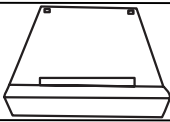
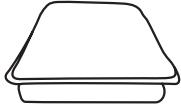
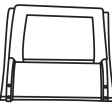


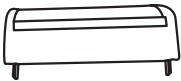
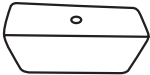


Return & Warranty policy:

- We strive to offer the highest quality products,and we also try our best to satisfy each and every customer that orders from us with replacement parts or service as needed.
- If the item is damaged or defective, please take photos as evidence for replacements and refunds.
- Please do not return to store,contact the seller if you have any troubles with this product.

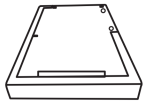



ASSEMBLY INSTRUCTION

HARDWARE			
NO	DESCRIPTION	SKETCH	QTY
N	Washer		32
M	Screws 8X60		32
O	Wrench		1

PARTS LIST WF310165			
NO	DESCRIPTION	SKETCH	QTY
A	Seat frame		2
E	Seat cushion		2
F	Back frame		2
K	Right armrest		1
L	Back Cushion		2
P	Left armrest		1
Q	Wooden leg		8

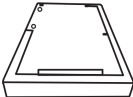

ASSEMBLY INSTRUCTION

PARTS LIST WF310166

NO	DESCRIPTION	SKETCH	QTY
C	Right chaise frame		1
H	Right chaise cushion		1
F	Back frame		1
D	Throw pillow		2
J	Right armrest bag		1
L	Back Cushion		1
Q	Wooden leg		4


ASSEMBLY INSTRUCTION

PARTS LIST WF310167



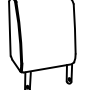

NO	DESCRIPTION	SKETCH	QTY
B	Left chaise frame		1
D	Throw pillow		2
F	Back frame		1
G	Left chaise cushion		1
I	Left armrest bag		1
L	Back cushion		1
Q	Wooden leg		4

ASSEMBLY INSTRUCTION

HARDWARE

NO	DESCRIPTION	SKETCH	QTY
V	Plastic gasket		4

PARTS LIST WF321054

NO	DESCRIPTION	SKETCH	QTY
R	Plastic leg		4
X	Console		1
Y	Back frame of console		1
Z	Plug		1

ASSEMBLY INSTRUCTION

All parts and hardwares.

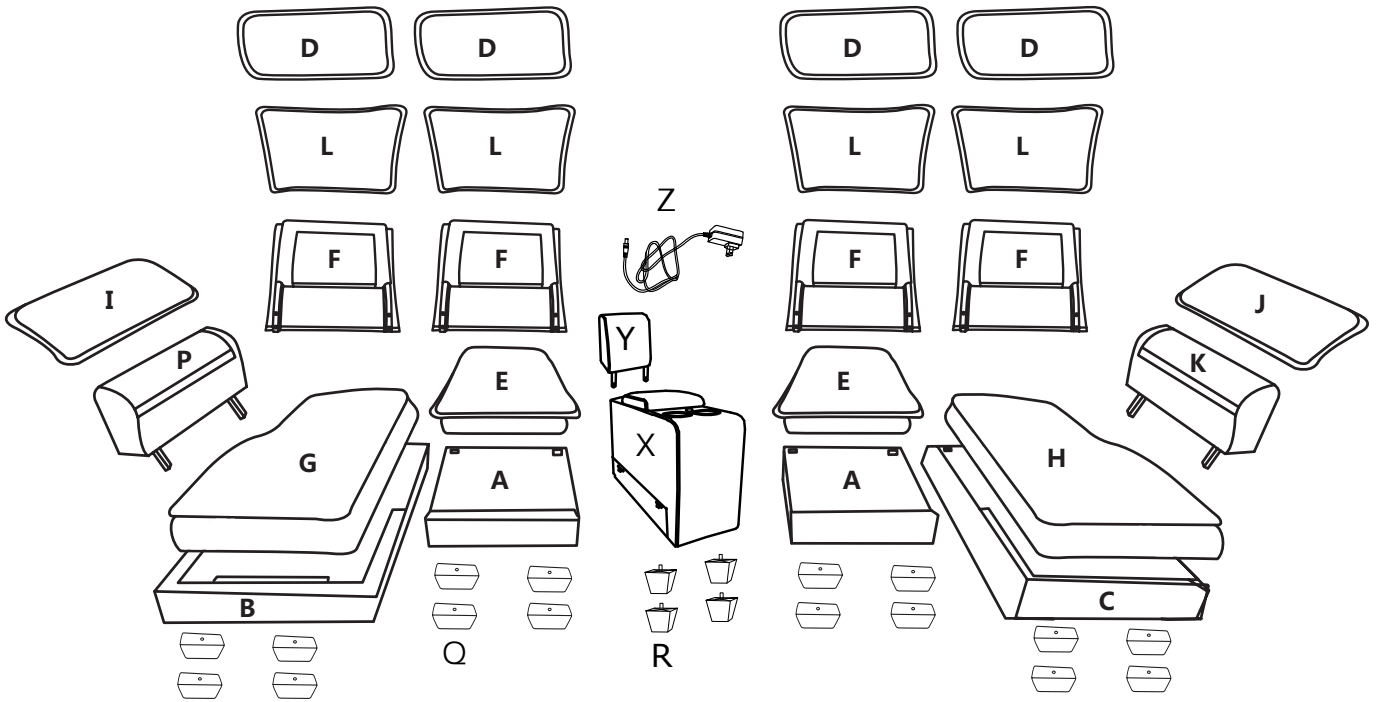


DIAGRAM 1 (Take all parts and Assemble the Leg)

V



4PCS

Unzip the zipper on the bottom of the Console (Part X) and take the Back frame of console (Part Y) and Plug(Part Z) and Plastic legs (Part R) and Plastic gasket (Hardware V) from the console. Then close the zipper.

Assemble the Plastic legs (Part R) on the Console (Part X) with Plastic gaskets (Hardware V) .

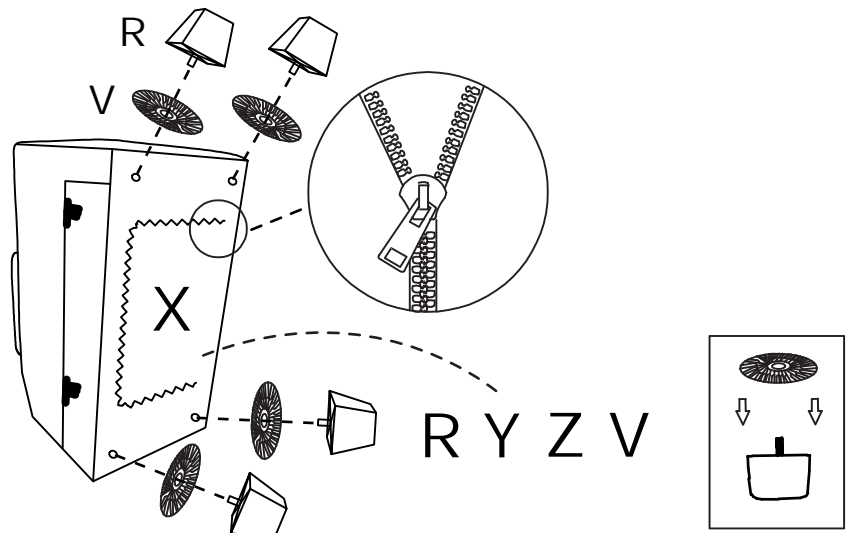
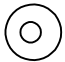



DIAGRAM 2 (Assemble the Leg)

N		8PCS
M	 M8X60	8PCS

Installation of wooden legs (Part Q) on the Seat frame (Part A) with Washers (Hardware N) and Screws (Hardware M).

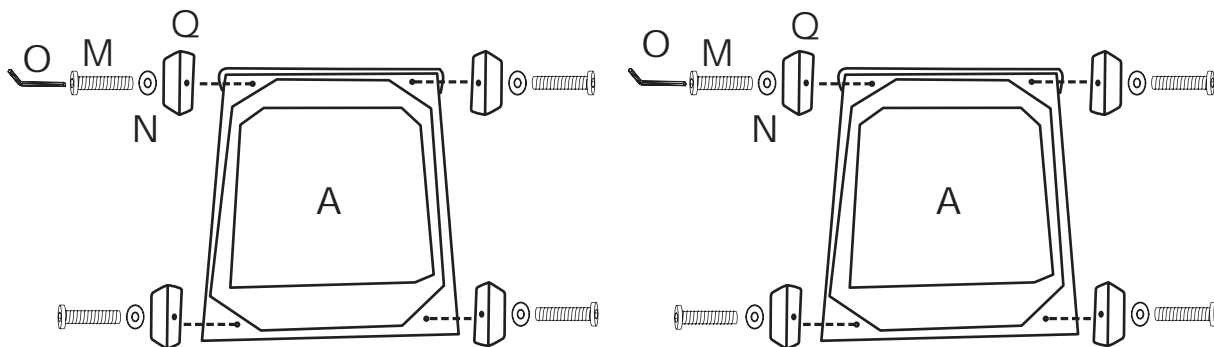




DIAGRAM 3 (Assemble the Leg)

N		8PCS
M	 M8X60	8PCS

Installation of wooden legs (Part Q) on the Left chaise frame (Part B) Right chaise frame (Part C) with Washers (Hardware N) and Screws (Hardware M)

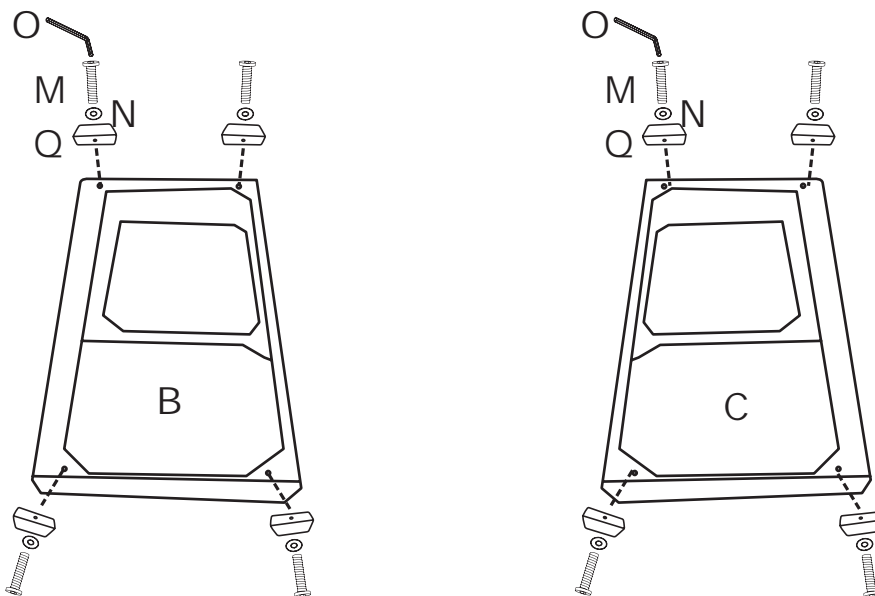


DIAGRAM 4 (Assemble the Console and the Seat frame)

Slide each parts into the insert from left to right.

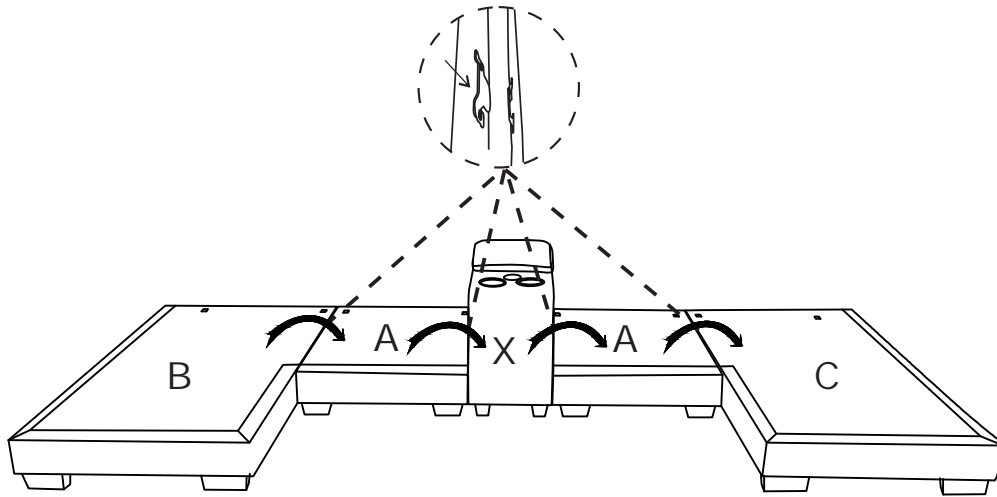




DIAGRAM 5 (Assemble the Back frame)

N		16PCS
M	 M8X60	16PCS

Assemble the Back frame (Part F) into the designated holes, using Washers (Hardware N) and Screws (Hardware M) to 70% tightness, and then tighten all the Bolts on the seat.

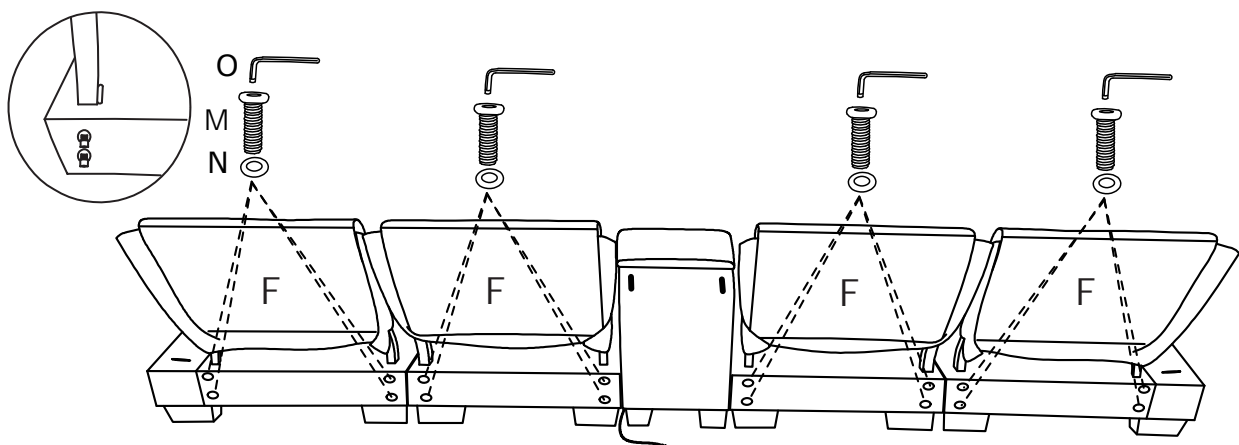
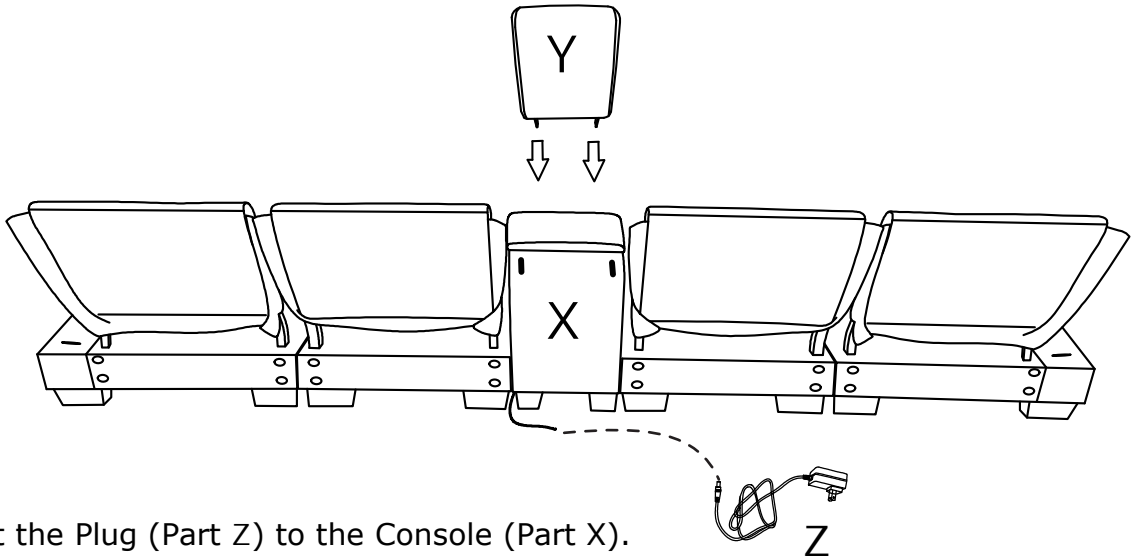


DIAGRAM 6 (Assemble the Back frame of console)

Insert the Back frame of console (part Y) into the rear holes of the Console (part X).



Connect the Plug (Part Z) to the Console (Part X).

DIAGRAM 7 (Assemble the Armrest)

Insert Left armrest (Part P) into the Left chaise frame (Part B) and Insert Right armrest (Part K) into the Right chaise frame (Part C).

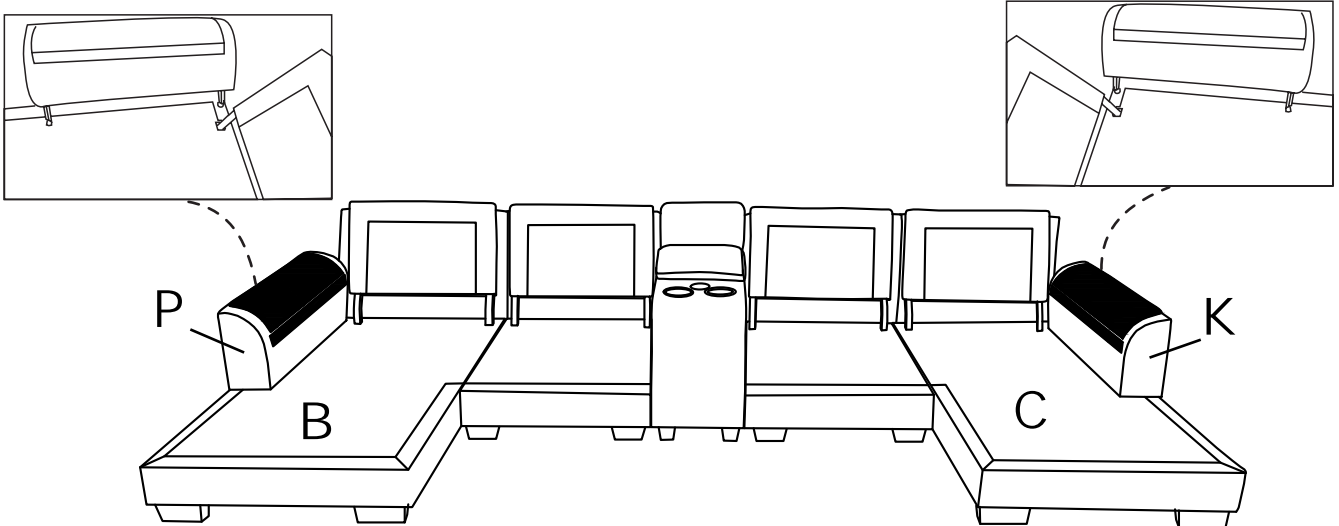
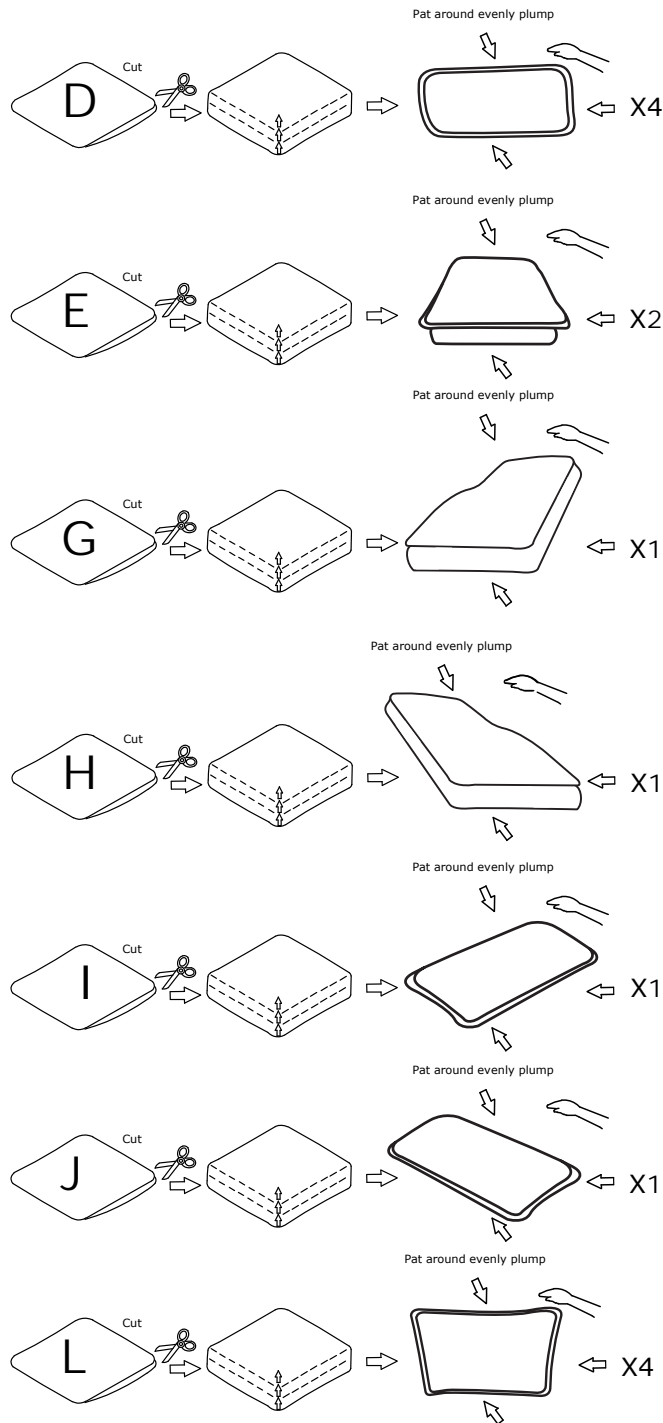


DIAGRAM 8 (Removal of compression bags)

Remove the Throw pillow (Part D) the Seat cushion (Part E) the Left chaise cushion (Part G) the Right chaise cushion (Part H) the Left armrest bag (Part I) the Right armrest bag (Part J) the Back cushion (Part L) .



TIPS

1. Please do not open the compressed packages until your sofa frame is completely assembled.
2. Compressed back cushions and pillows need to be fully fulfilled within 72 hours for your perfect use.
3. Please keep children away from plastic bags or any small pieces of stuff.

DIAGRAM 9 (Assemble the Armrest bag)

Put the Left armrest bag (Part I) and the Right armrest bag (Part J) and zipper it up .

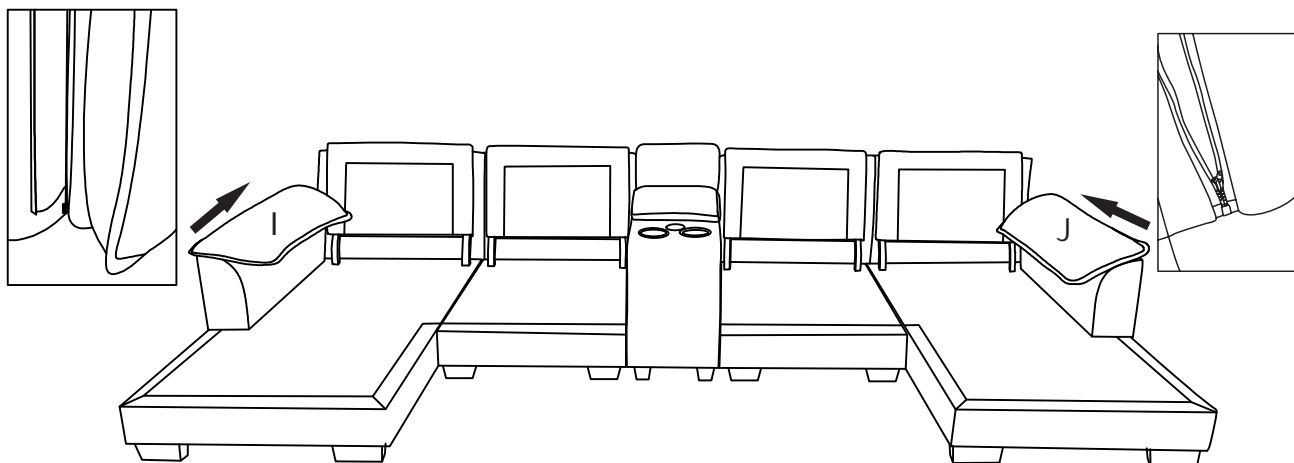


DIAGRAM 10 (Place the Cushion on the sofa)

Place the Seat cushion (Part E) and Left chaise cushion (Part G) and Right chaise cushion (Part H) on the sofa.

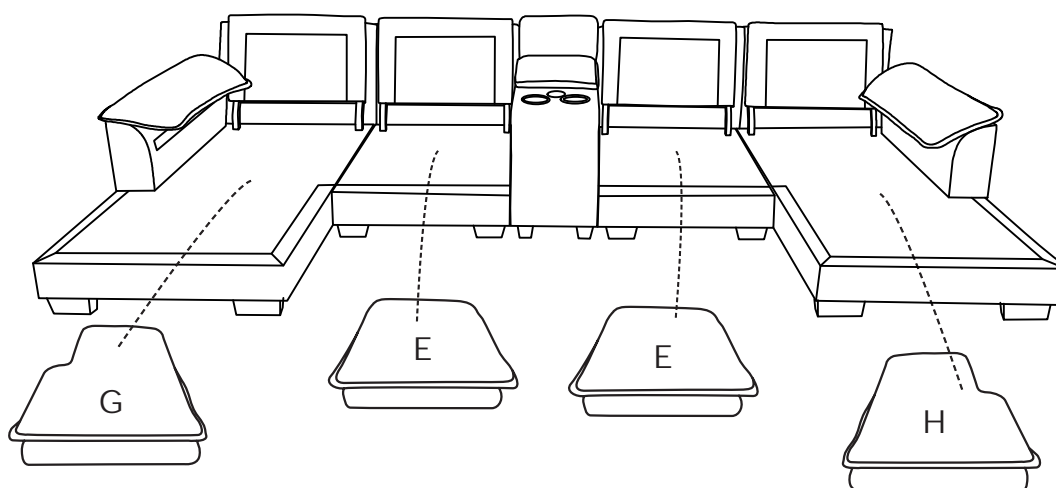
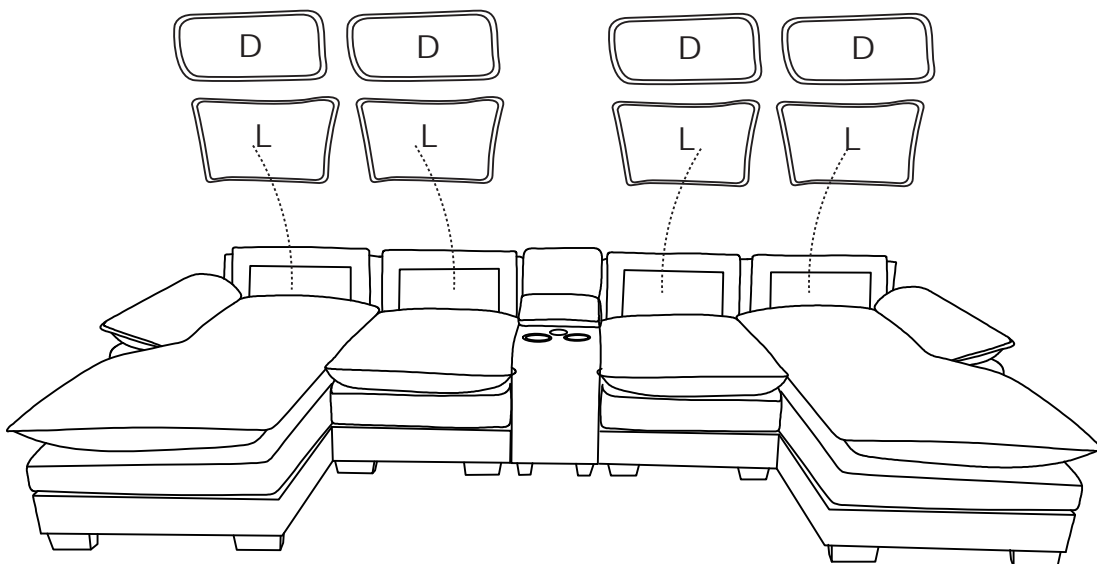


DIAGRAM 1 1 (Place the Cushion on the sofa)

Place the Back Cushion (Part L) and Throw pillow (Part D) on the sofa.



TIPS

1. Please do not open the compressed packages until your sofa frame is completely assembled.
2. Compressed back cushions and pillows need to be fully fulfilled within 72 hours for your perfect use.
3. Please keep children away from plastic bags or any small pieces of stuff.

