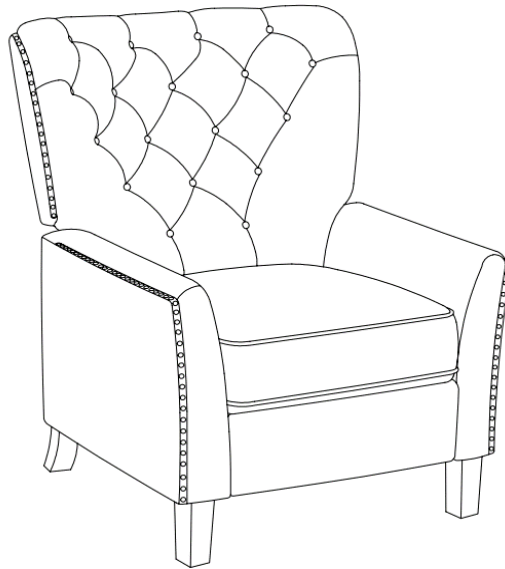


Assembly Instructions



Caution : You must read this before you proceed

Recliner

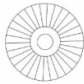



Parts List

Label	Picture	Description	QTY (pc)
A	A line drawing of the backrest part of the chair, showing the tufted pattern and the top edge.	Backrest	1
B	A line drawing of the chair base with the footrest, showing the seat, armrests, and the extended footrest.	Chair Base With Footrest	1

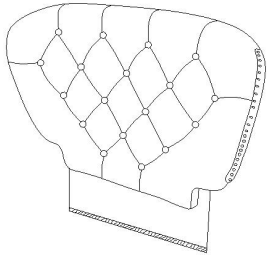
C		Front Leg	2
D		Hind Leg	2

Hardwares List

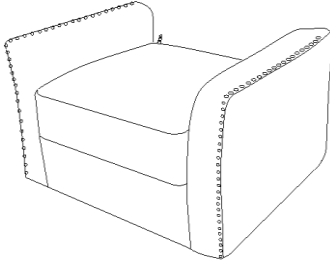
Label	Picture	Description	QTY (pc)
①		Plastic Gasket	7
②		Silicon Washer	7

Assembly Preparation


Before Beginning Assembly:





A




B

C  x2

D  x2

①  x7

②  x7



- Read instructions, cover to cover-



- Have 2 adults on hand for assembly-



- Do not assemble on flooring or carpet-



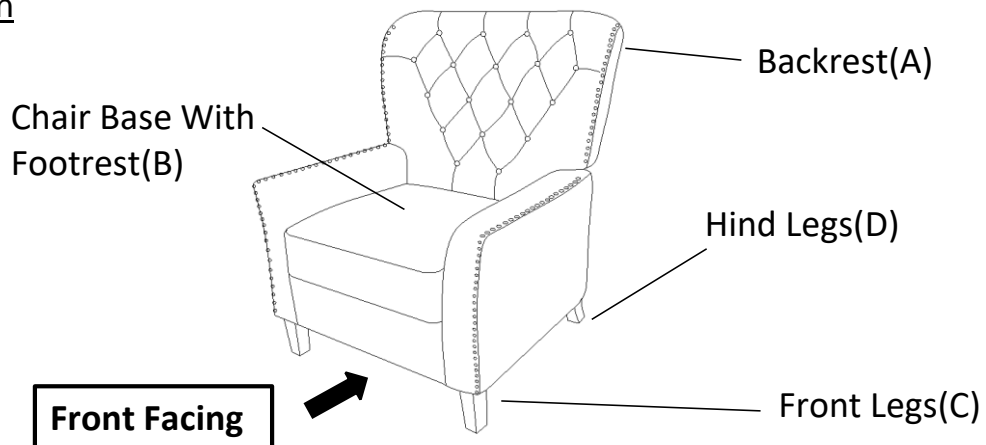
- Assemble on a clean non-marring surface (packing foam)-



- Save all packaging until finished-

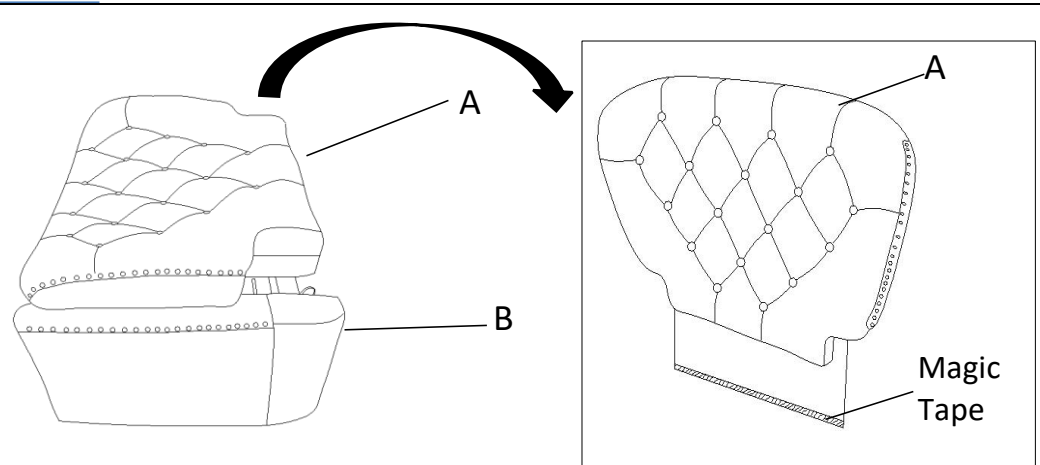
Assembly Steps

Parts Introduction



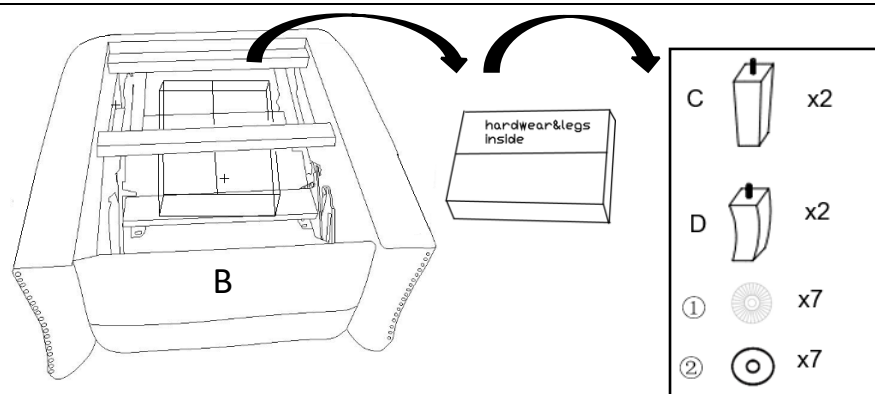
This product has multiple parts and may require up to some 30 minutes to assemble. To give you an overview of the product parts, the above picture is to help you put the various parts into perspective. Please read through the instructions below to familiarise yourself with the parts and steps before assembly.

Step 1



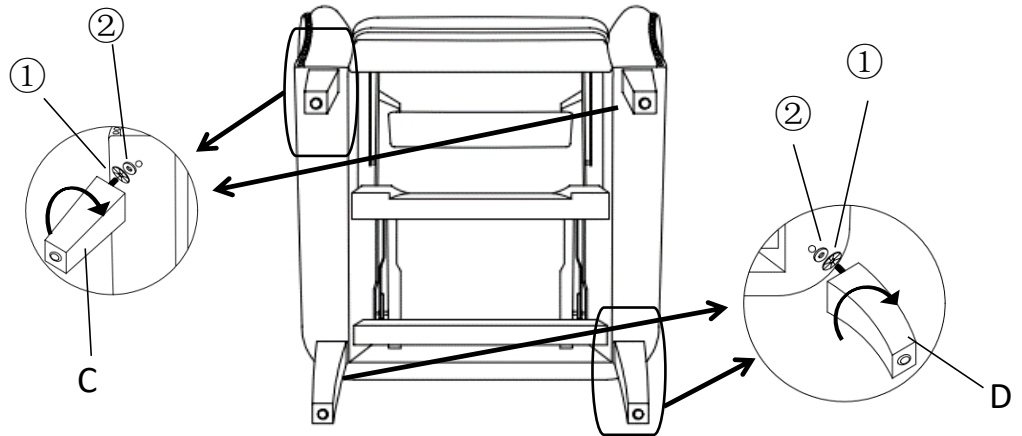
Take out the Backrest(A) from the Chair Base with Footrest(B).

Step 2



Place the Chair Base with Footrest(B) facedown on a clean, non-marring surface. Take out the small carton box under Chair Base(B). Then open it to take out the Front Legs(C), Hind Legs(D) and Hardwares.

Step 3



Install the Front Legs(C)&Hind Leg(D) with 1 Plastic Gasket(①) and Silicon Washer(②) at the bottom of the Recliner on the threaded stem.

Then insert threaded stem into the mounting position at the corner of the Recliner. Tighten by turning the Leg clockwise.

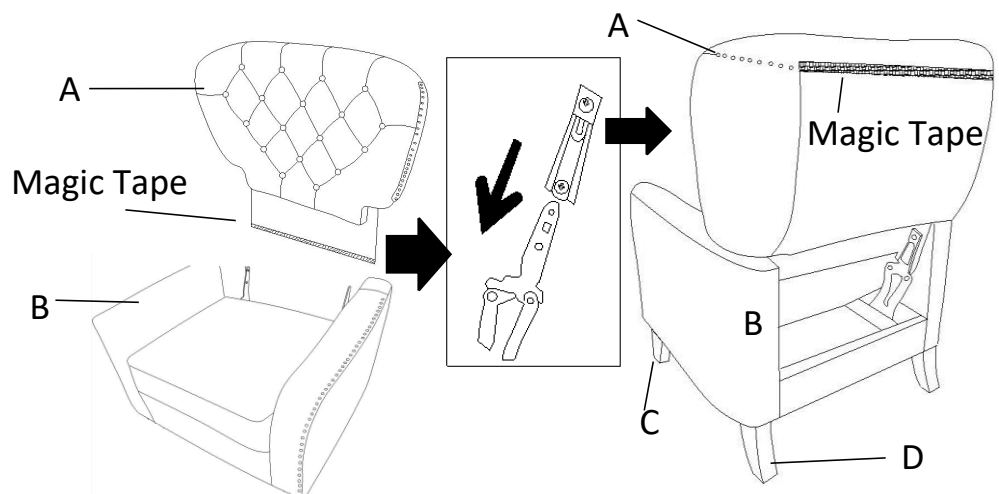
Do not over tighten.

Repeat the same process to install the remaining two Legs.

Take care of the shape of the Legs and ensure they in the correct positions.

Note: The use of Plastic Gaskets(①) are OPTIONAL and are especially useful to help alleviate slight wobbleness. Some Legs may need more than one gasket whilst some Legs may not need any.

Step 4

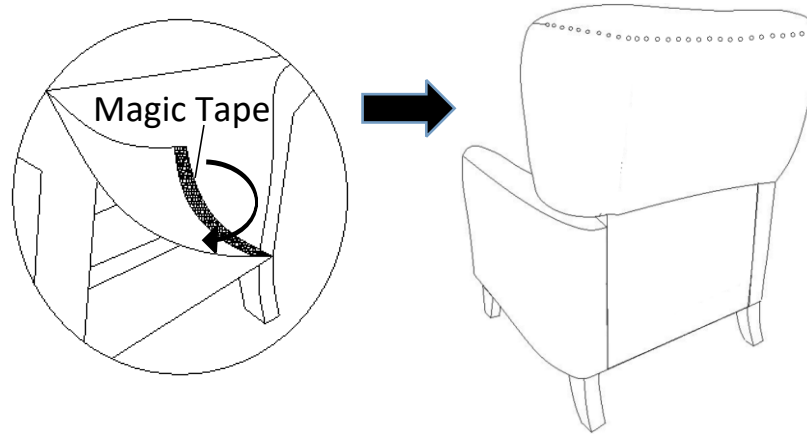


With assistance from your adult partner, hold up the Chair Backrest(A). while standing behind the Chair.

Insert the small metal arms on the sides of the Chair Backrest(A)into the prefabricated slide lock gadget on the Chair Base with Footrest(B)as shown above.

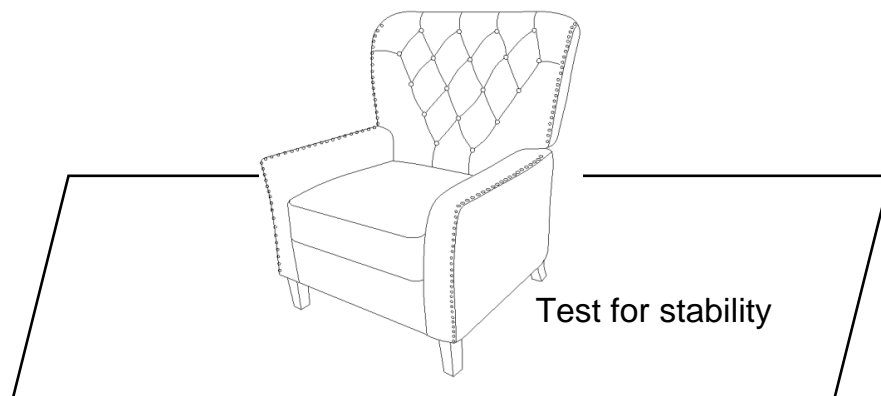
Firmly but gently, push the Chair Backrest(A)downwards until the Backrest(A) is fully slotted and locked into position.

Step 5



Smooth down the fabric flap on the Chair Backrest(A).
Run your hands down both sides of the flap, from top to bottom, allowing the magic tape to adhere to the flap under the seat of the Chair.

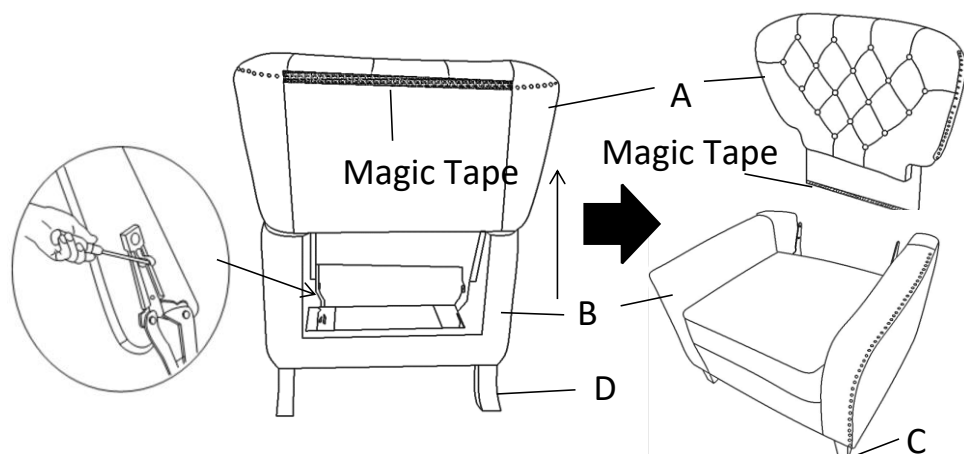
Step 6



Make sure all parts are connected and securely locked into position.
Your Recliner is ready for use.

Caution: This Recliner can only be used on a flat, level surface.

Disassembly



Disassembly Note: open the flap on the Chair Backrest(A), use a screwdriver (Don't use fingers) pressing outward on the metal ear on the preattached Metal Bracket on one side of the Chair Base(B), with assistance of your adult partner to keep the Chair Base(B) in place, pull out the Chair Backrest(A) upward at the same time, repeat the same step for another side. Then the Chair Backrest(A) can be taken out.

User Instructions.

Recliner

Please read the Instruction Manual below carefully before use.

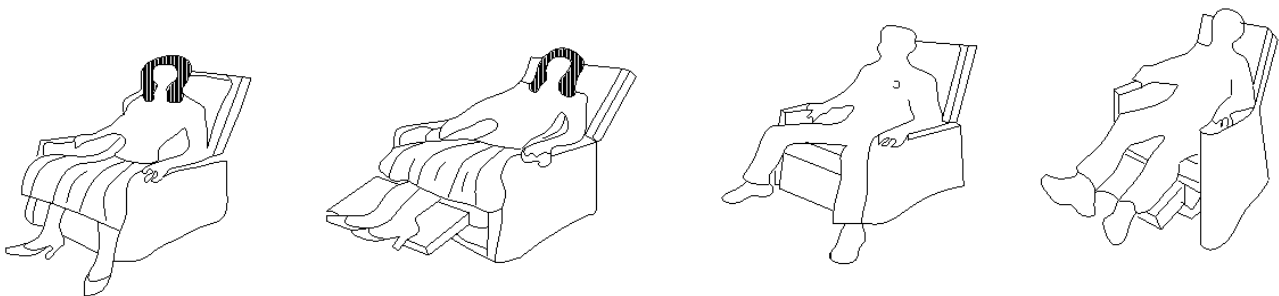
Supervise children, when in use of this Push Back Chair.



Always leave the chair in an upright and closed position after use.
Keep hands and feet clear of the footrest mechanism and any gaps.
Do not allow children to play on the chair.
Do not lean to side to pick up anything while sitting on the chair.
Do not sit on the arms.
Do not stand up when the recliner open.
Only the occupant should operate the chair.

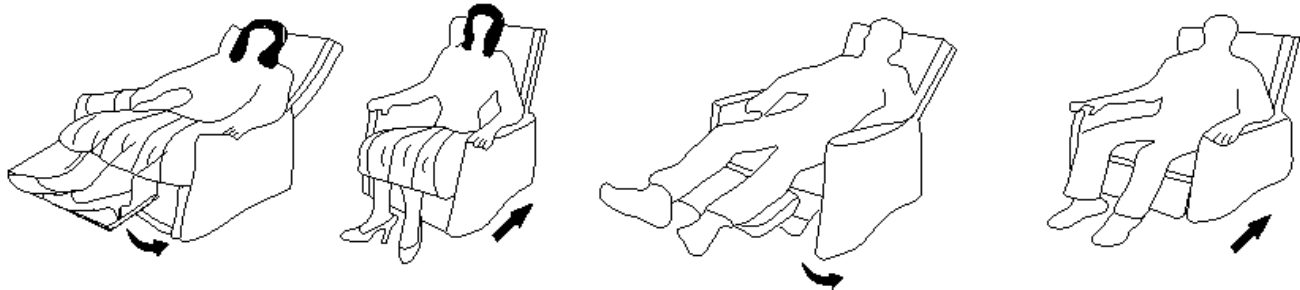
To get into a open position-To push the Chair Backrest

Sit into the seat.
The Chair Backrest will fall down and footrest will open when push the Chair Backrest by your back. So do must put your feet on footrest well when you push down the Chair Backrest.
Use your body weight and push backwards into the seat into a fully reclined position.














to get out of chair-move Seatback into Upright Position

Tilt your body weight slightly forward and upwards.
The seat back will come up to an upright position.
Use your feet to push the footrest down.
The Recliner will automatically lock when it is in the fully upright position.
Where necessary,use your arms help lift/push yourself out of the seat



Care & Maintenance

	<ul style="list-style-type: none">● Furniture may scratch floors. We recommend using furniture pads to protect your floors.
	<ul style="list-style-type: none">● Do not put hot items directly on furniture surface.
	<ul style="list-style-type: none">● Do not clean furniture with harsh cleansers or polish.
	<ul style="list-style-type: none">● Do not place furniture under direct sunlight.
	<ul style="list-style-type: none">● Do not place furniture near heating or cooling vents.
	<ul style="list-style-type: none">● Do not write on furniture without a padded barrier to protect the surface.
	<ul style="list-style-type: none">● Do not place furniture outside . For indoor use only.
	<ul style="list-style-type: none">● Not for commercial use. For residential use only.
	<ul style="list-style-type: none">● Stains may be removed with mild soap solution and damp cloth.
	<ul style="list-style-type: none">● Children should not climb or jump on the furniture.
	<ul style="list-style-type: none">● Dust and pick-up spills using a clean, non-colored, lint-free cloth.