

Assembly Instructions

Caution : You must read this before you proceed

Care & Maintenance



- Not for commercial use. For residential use only.



- Furniture may scratch floors. We recommend using furniture pads to protect your floors.



- Do not put hot items directly on furniture surface.



- Do not clean furniture with harsh cleansers or polish.



- Do not place furniture under direct sunlight.



- Do not place furniture near heating or cooling vents.



- Do not write on furniture without a padded barrier to protect the surface.



- Do not place furniture outside . For indoor use only.



- Stains may be removed with mild soap solution and damp cloth.

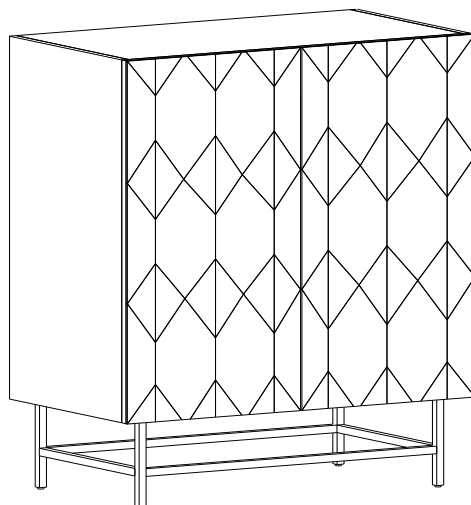


- Children should not climb or jump on the furniture.



- Dust and pick-up spills using a clean, non-colored, lint-free cloth.

SIDEBOARD





WARNING!!

Children have died from furniture tipover. Tip restraints have been included with this product; you must install the tip restraints according to these instructions in order to minimize the risk of furniture tipping. If you have any questions about this product or the tip restraint, please send us an email at tip_restraint_help@Noblehousefurniture.com

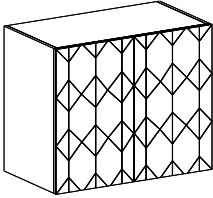
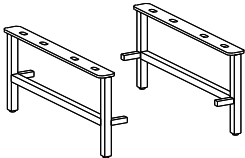

NEVER allow children to climb or hang on furniture, including drawers or cabinet doors.

In addition to installing the restrains , to help prevent tip-over

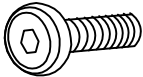
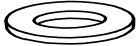
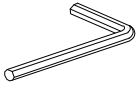



1. **NEVER** put a TV or other heavy objects on top of this product".
2. **Do not** stand on the product.





⚠ WARNING	
	<p>Children have died from furniture tipover. To reduce the risk of furniture tipover.</p> <ul style="list-style-type: none">• ALWAYS install tipover restraint provided.• NEVER put a TV on this product.• NEVER allow children to stand, climb or hang on drawers, doors, or shelves.• NEVER open more than one drawer at a time.• Place heaviest items on the lowest drawers.• Do not defeat or remove the drawer interlock system. <p>This is a permanent label Do not remove</p>
	

Parts List

Label	Picture	Description	QTY
A		Cabinet	1
B		Legs	2
C		Center support	2

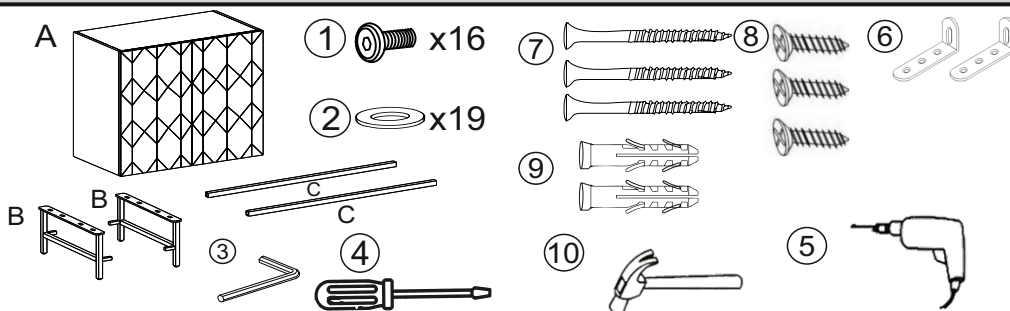
Hardware

Label	Picture	Description	QTY
①		Allen bolt	16
②		Washer	19
③		Allen wrench	1
④		Screwdriver (not provided)	1
⑤		Power Drill (not provided)	1
⑥		Metal Bracket	2

⑦		Wall Plug Screw(M3 x 30mm)	3
⑧		Product Screw (M3 x 12mm)	3
⑨		Wall Plug(30mmx5mm)	2
⑩		Hammer(not provided)	1

Assembly Preparation

Before Beginning Assembly:



- Read instructions, cover to cover-



- Have 2 adults on hand for assembly-



- Do not assemble on flooring or carpet-



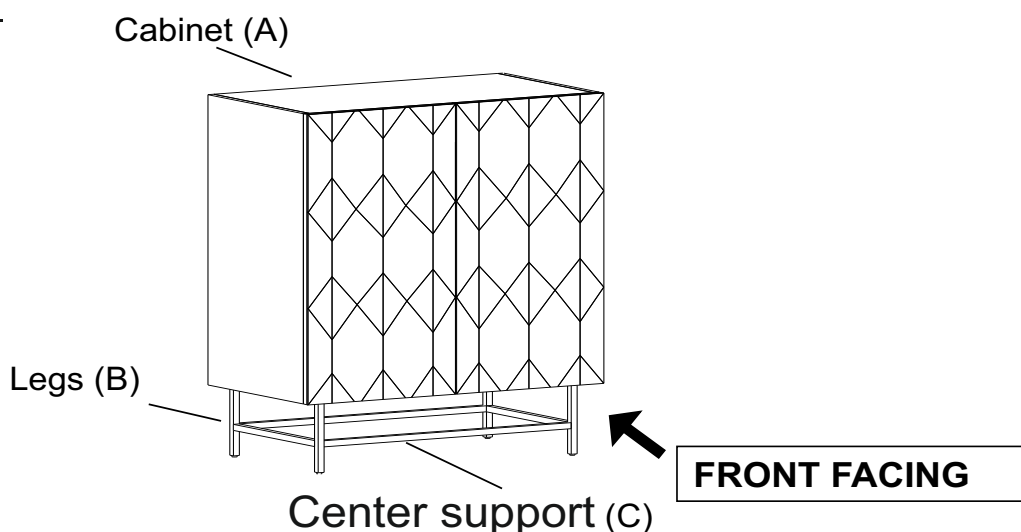
- Assemble on a clean non-marring surface (packing foam)-



- Save all packaging until finished-

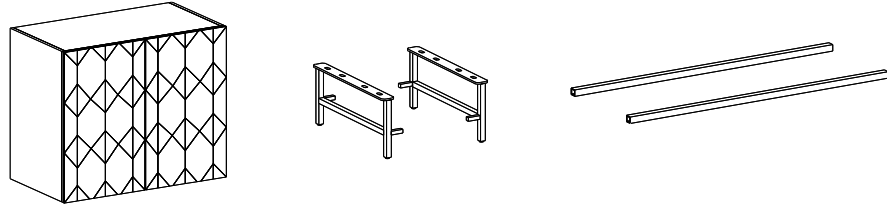
Assembly Steps

Overview



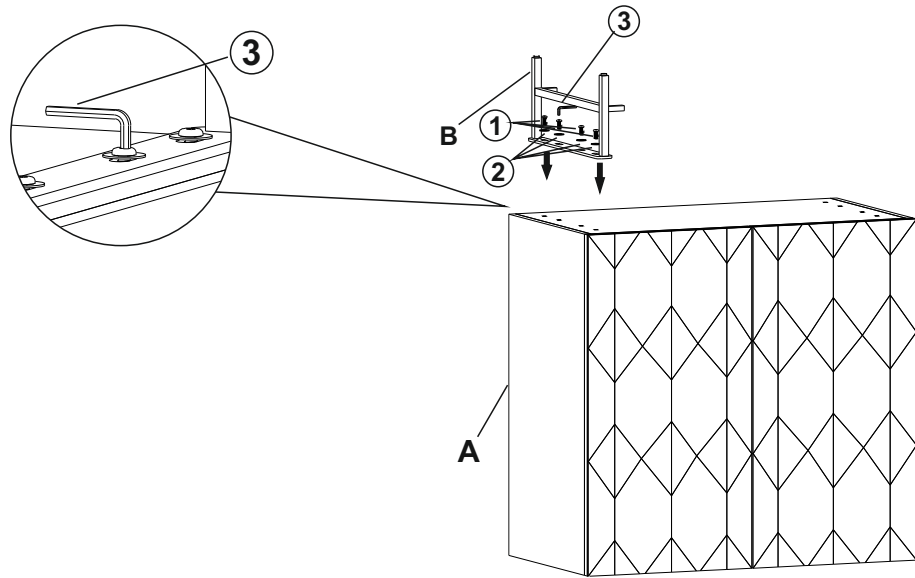
This Side Board has multiple parts and may require up to 30 minutes to assemble. To give you an overview of the Sideboard parts, the above picture is to help you put the various parts into perspective. Please read through the instructions here below to familiarise the parts and steps before assembly.

Step 1



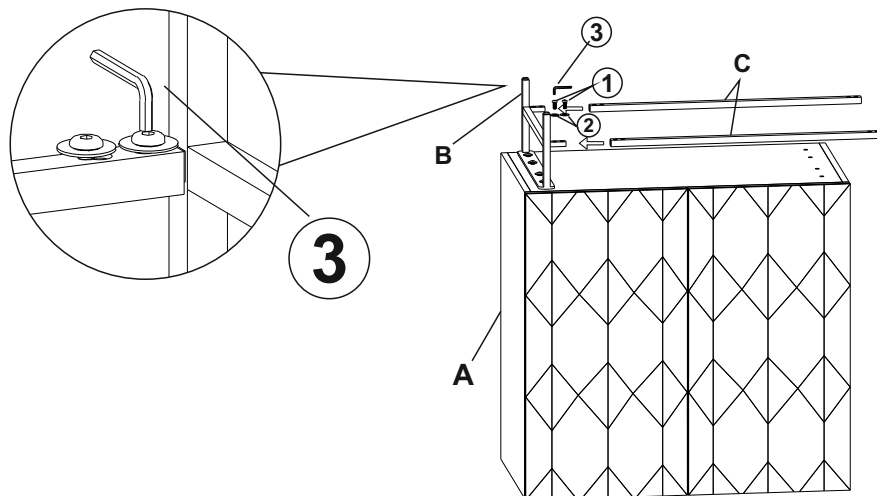
Unpack all the parts and place it on a clean and non-marring surface gently.

Step 2



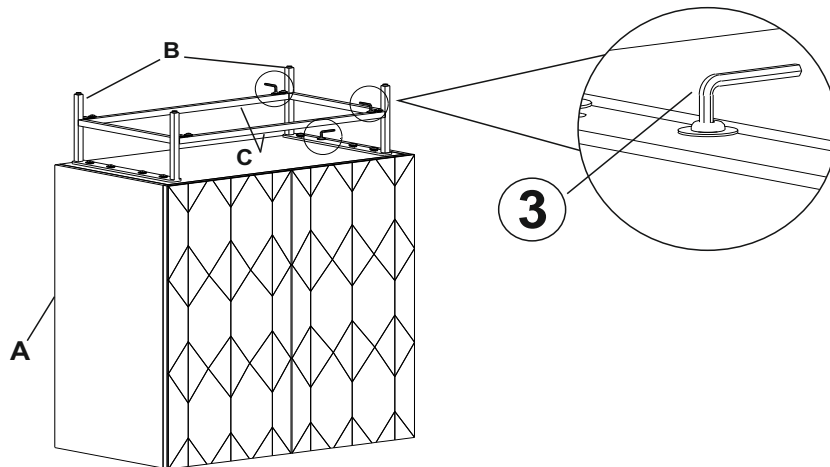
Take the Lower Support (A) and insert it in Bottom part (B). Tighten the Flat Head Allen Bolt (①) and Washer(②) with the help of Allen Wrench (③) as shown in the picture above.

Step 3



Insert the upper Center Support (C) in Lower support (B) with matching holes. Tighten the Flat Head Allen Bolt (①) and Washer (②) with the help of Allen Wrench (③) as shown in the picture above.

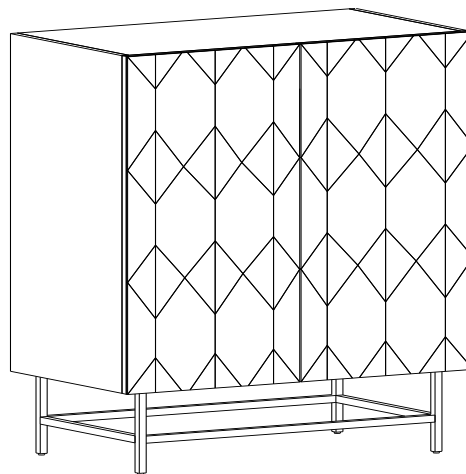
Step 4



Insert the upper Center Support (C) in Lower Center Support (B) with matching holes. Tighten the Flat Head Allen Bolt (①) and Washer (②) with the help of Allen Wrench (③) as shown in the picture above.

DO NOT FULLY TIGHTEN SCREWS.

Step 5



Hardware may loosen overtime. Periodically check that all connections are tight. Wipe with a soft, dry cloth. To protect finish, avoid the use of chemicals and household cleaners.

Turn the Sideboard right side up. Place the Sideboard on a Level Surface. Inspect it and make sure all parts are adequately connected. Gently and gracefully, sit into to the Sideboard. This would help to align all the parts at all the joint areas. Then get off the Sideboard, and in a sequential manner, proceed to tighten all screws. To tighten the Screws at the base of the Back rest, do secure assistance from your adult partner(s). You may be required to turn the Sideboard, to gain easy access to the

secure points. Turn the Sideboard in a synchronised manner
CAUTION 1: When tightening these screws, tighten sequentially
DO NOT tighten any screw fully and then towards the next one.
This would cause the frame to warp.

If there is still wobbles, loosen the screws and execute this same process.
WARNING!! IF SIDEBOARD IS NOT STABLE , IT COULD LEAD TO DAMAGING THE PRODUCT.

Ensure all screws are fully locked into position.
The Sideboard is ready to be used.

Caution 2: This Sideboard can only be used on a flat, level surface.

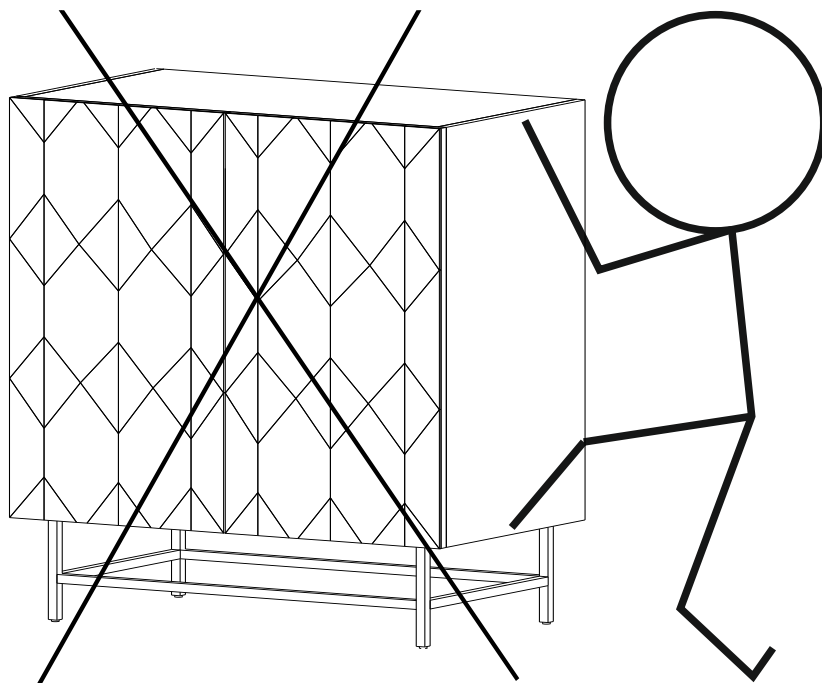
Tipover Restraint Device Installation Instructions



WARNING

**Serious or fatal crushing injuries can occur from tipping furniture.
To help prevent tip-over: ALWAYS secure this furniture to the wall
using Tipover Restraint Device.**

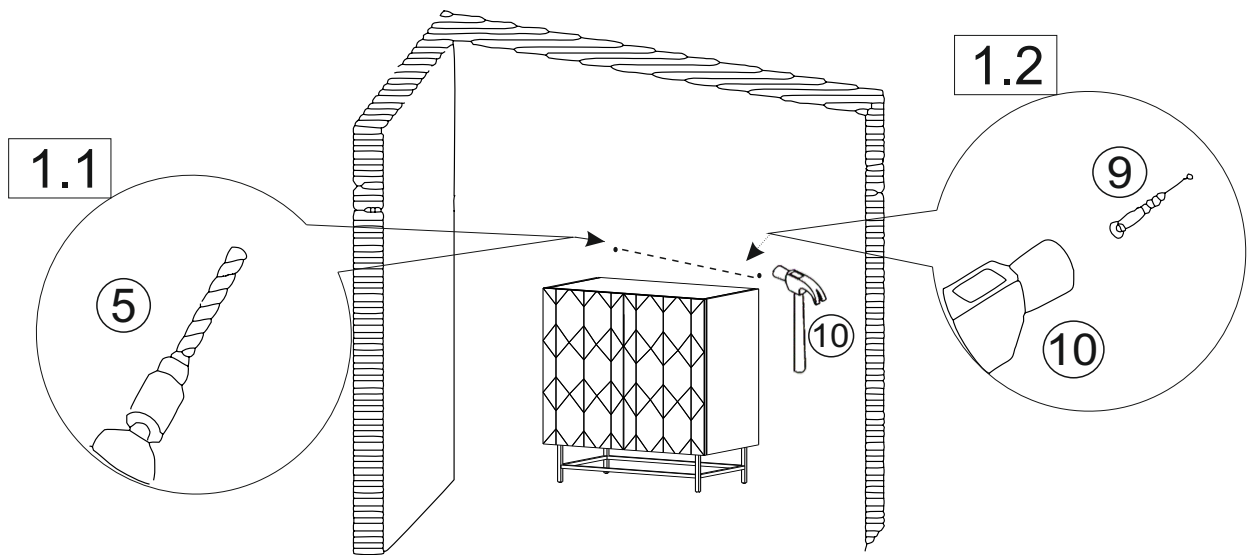
**See product instructions for more ways to help prevent furniture
tip-over.**



Usage For Tipover Restraint Device:

To Secure Sideboard against wall, attach two Metal Brackets (⑥) on wall

Step 6



1.1) Drill two holes on wall at 5 cm below from the height of sideboard as Metal Brackets (⑥) on Sideboard with Power Drill (⑤).

You can mark these points in two ways as below:

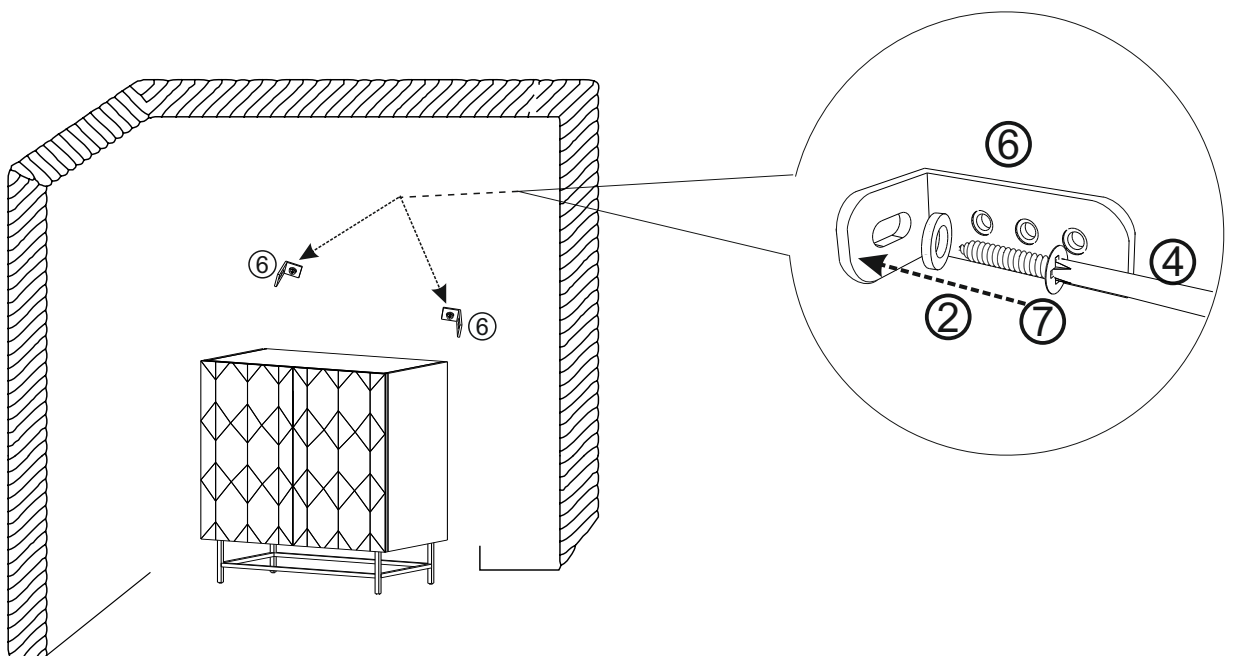
1) Move the Sideboard back to the wall. Mark two points same width as Sideboard on the wall.

Note: The Brackets need to be secured to solid, load bearing surface. Please use a Stud Finder(not supplied) if needed to locate the Wall Frame.

2) Measure the height of the Brackets (⑥) with ruler/measuring tape and mark on wall to keep them accurate and same height and width of the sideboard

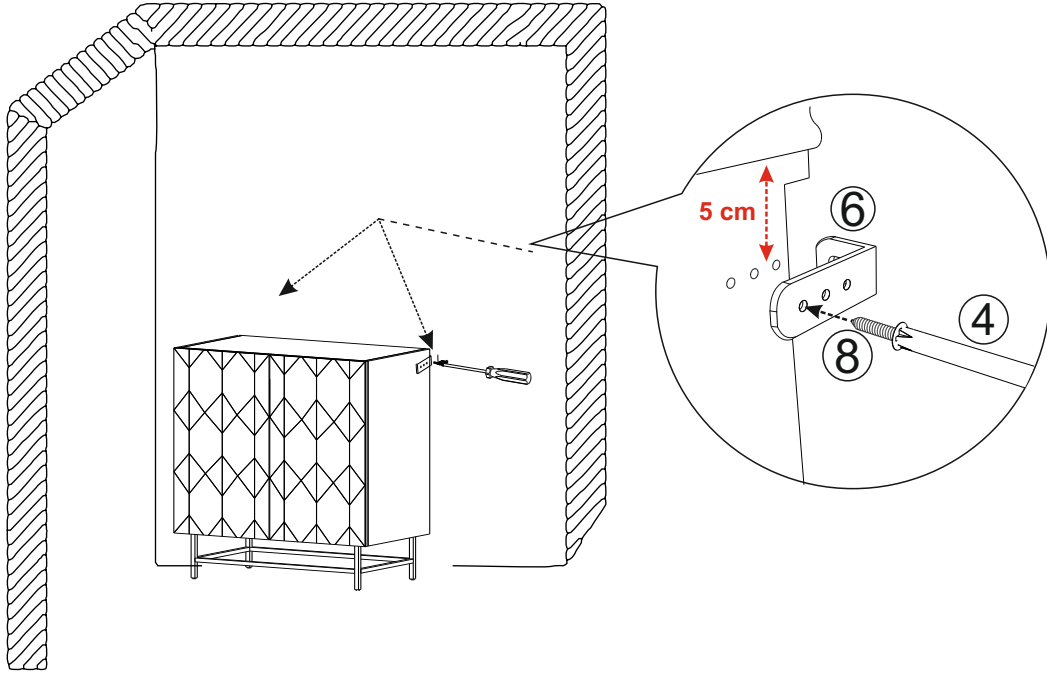
1.2) Insert Wall Plugs (⑨) into drilled holes on wall with Hammer (⑩).

Step 7



Attach Brackets (⑥) to Wall Plugs (⑨) using Wall Plug Screws (⑦) and washer (②) with Screwdriver (④).

Step 8



Move sideboard to the wall, customer can choose one of 3 hole for assembly same as other side.

Connect the Metal Bracket (⑥) to sideboard with help of Product Screw (⑧) and Screwdriver (④) same as other side.

This sideboard is now ready to use.