

# WARNING!!

Children have died from furniture tipover. Tip restraints have been included with this product; you must install the tip restraints according to these instructions in order to minimize the risk of furniture tipping. If you have any questions about this product or the tip restraint, please send us an email at [tip\\_restraint\\_help@Noblehousefurniture.com](mailto:tip_restraint_help@Noblehousefurniture.com)

**NEVER** allow children to climb or hang on furniture, including drawers or cabinet doors.

In addition to installing the restrains, to help prevent tip-over

1. **NEVER** put a TV or other heavy objects on top of this product.
2. Do not stand on the product

 <b>WARNING</b>	
	<p><b>Children have died from furniture tipover. To reduce the risk of furniture tipover:</b></p> <ul style="list-style-type: none"><li>• ALWAYS install tipover restraint provided.</li><li>• NEVER put a TV on this product.</li><li>• NEVER allow children to stand, climb or hang on drawers, doors, or shelves.</li><li>• NEVER open more than one drawer at a time.</li><li>• Place heaviest items in the lowest drawers.</li><li>• Do not defeat or remove the drawer interlock system.</li></ul> <p><i>This is a permanent label. Do not remove!</i></p>
	





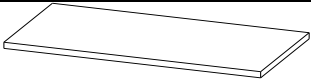

# Assembly Instructions



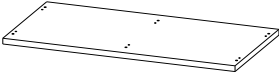
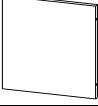
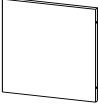
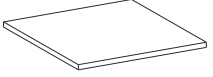
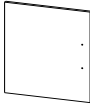
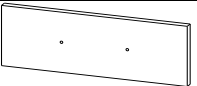
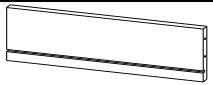
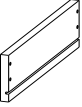
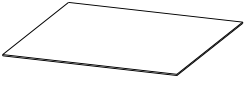



**Caution : You must read this before you proceed**

## SMALL SIDEBOARD


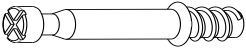
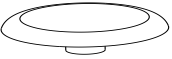
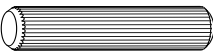
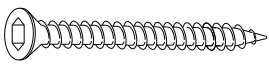
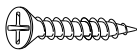
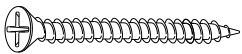



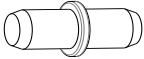
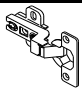


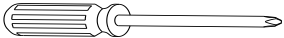



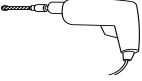
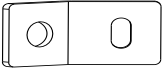

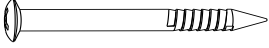
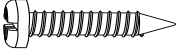

### Parts List

Label	Picture	Description	QTY
AL		Drawer Left Side Rail	3
AR		Drawer Right Side Rail	3
BL		Drawer Left Bottom Rail	3
BR		Drawer Right Bottom Rail	3
C		Top Panel	1
D		Side Panel Left	1

E		Side Panel Right	1
F		Center Panel	1
G		Bottom Panel	1
H		Back Panel Left	1
I		Back Panel Right	1
J		Shelf Panel	1
K		Door Panel	1
L		Drawer Front Panel	3
M		Drawer Back Panel	3
N		Drawer Side Panel	6
O		Drawer Bottom Panel	3
P		Handle	4
Q		Metal Leg	2
R		Metal Support	1

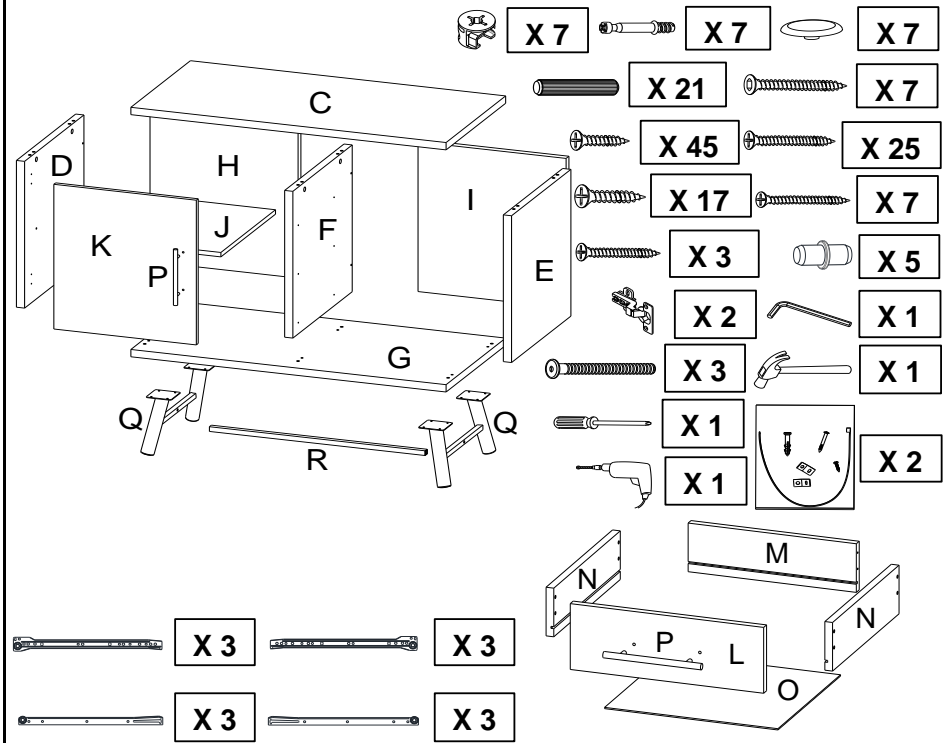
# Hardware






Label	Picture	Description	QTY
①		Cam Lock	7
②		Cam Bolt	7
③		Cam Cap	7
④		Positioning Dowel (Ø8*30mm)	21
⑤		Cap Wood Screw (M6*60mm)	7
⑥		Screw (M3.5*16mm)	45
⑦		Screw (M4*38mm)	25
⑧		Handle Screw (M4*32mm)	3
⑨		Handle Screw (M4*45mm)	7
⑩		Bolt (M6*40mm)	3
⑪		Metal Shelf Support	5
⑫		Connector	2
⑬		Screw (M4*20mm)	17
⑭		Allen Key	1
⑮		Screwdriver (not provided)	1
⑯		Hammer (not provided)	1

⑰		Power Drill (not provided)	1
<b>Cabinet Restraint Device Hardware</b>			
⑱		Metal Bracket	4
⑲		Wall Plug	2
⑳		Wall Plug Screw	2
㉑		Pan Head Screw	2
㉒		Cabinet Restraint Strap	2

# Assembly Preparation

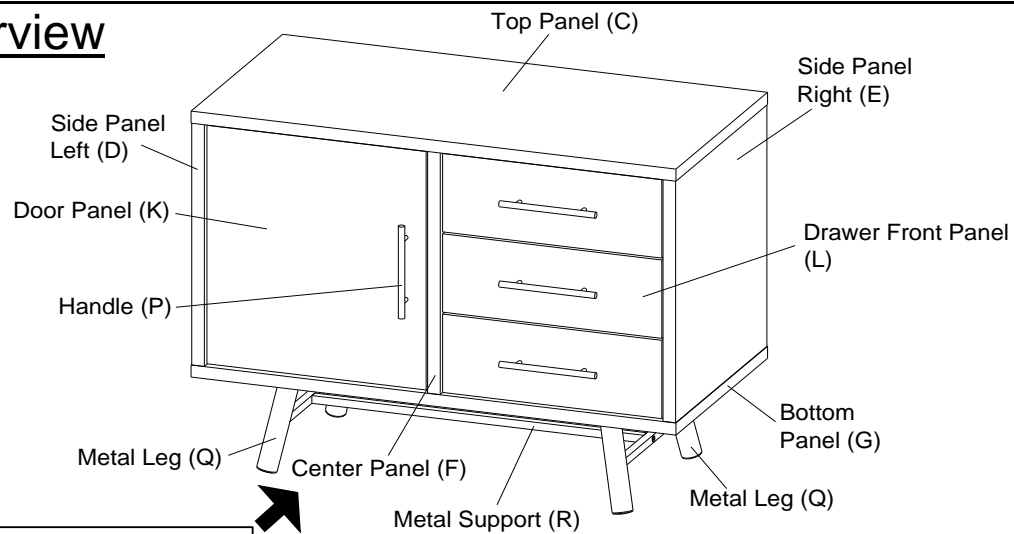
Before Beginning Assembly:



-  • Read instructions, cover to cover-
-  • Have 2 adults on hand for assembly-
-  • Do not assemble on flooring or carpet-
-  • Assemble on a clean non-marring surface (packing foam)-
-  • Save all packaging until finished-

# Assembly Steps

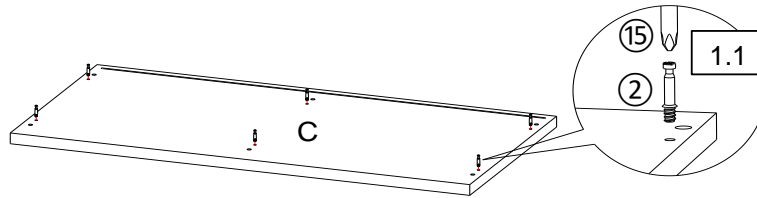
## Overview



### FRONT FACING

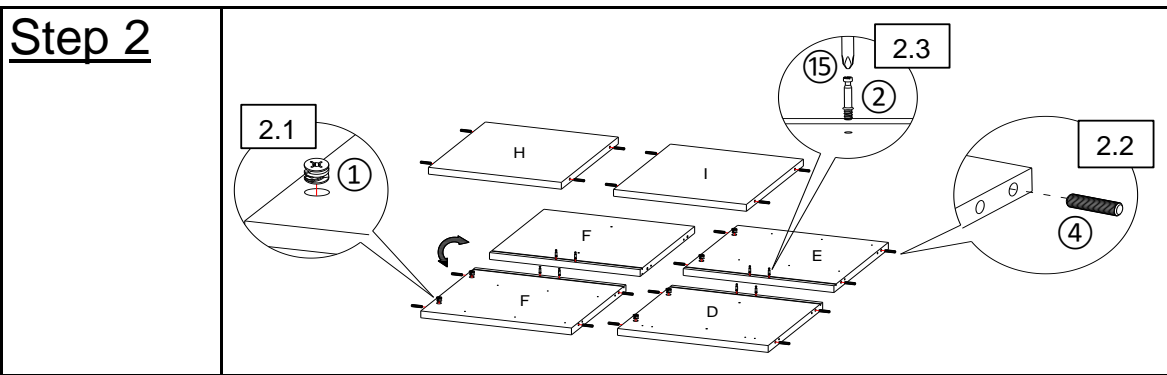
This Small Sideboard has multiple parts and may require up to 60 minutes to assemble. To give you an overview of the Small Sideboard parts, the above picture is to help you put the various parts into perspective. Please read through the instructions below to familiarise yourself with the parts and steps before assembly.

## Step 1



Unpack and place all parts on a clean, non-marring surface.

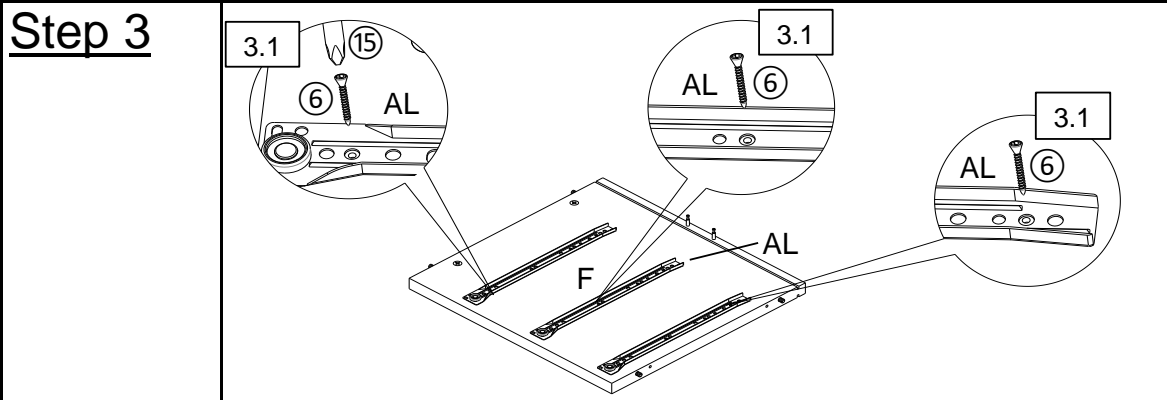
**1.1** Attach Cam Bolts(②) to mounting positions on Top Panel(C) with Screwdriver(⑮).



**2.1)** Insert Cam Locks(①) into mounting positions on Side Panel Left(D), Side Panel Right(E) and Center Panel(F) by hand.

**2.2)** Insert Positioning Dowels(④) into mounting positions on Side Panel Left(D), Side Panel Right(E), Center Panel(F), Back Panel Left(H) and Back Panel Right(I) by hand.

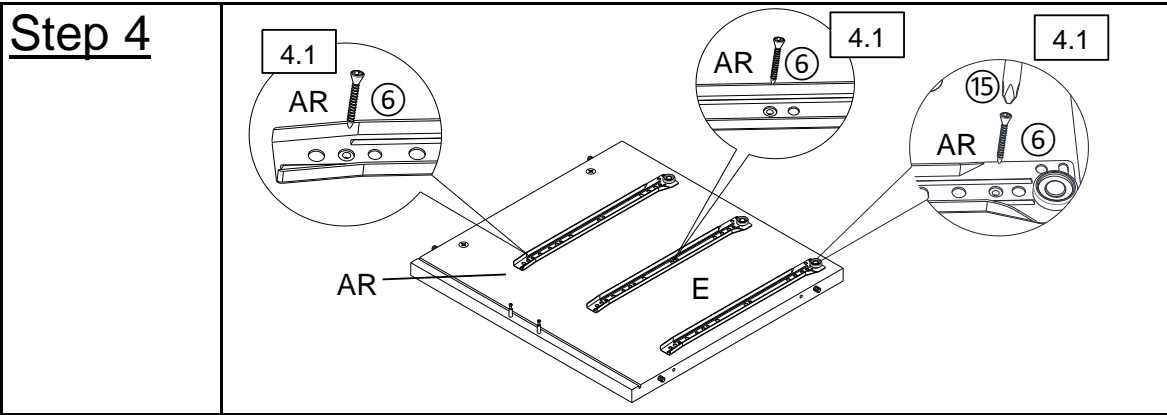
**2.3)** Attach Cam Bolts(②) to mounting positions on Side Panel Left(D), Side Panel Right(E) and Center Panel(F) with Screwdriver(⑮).



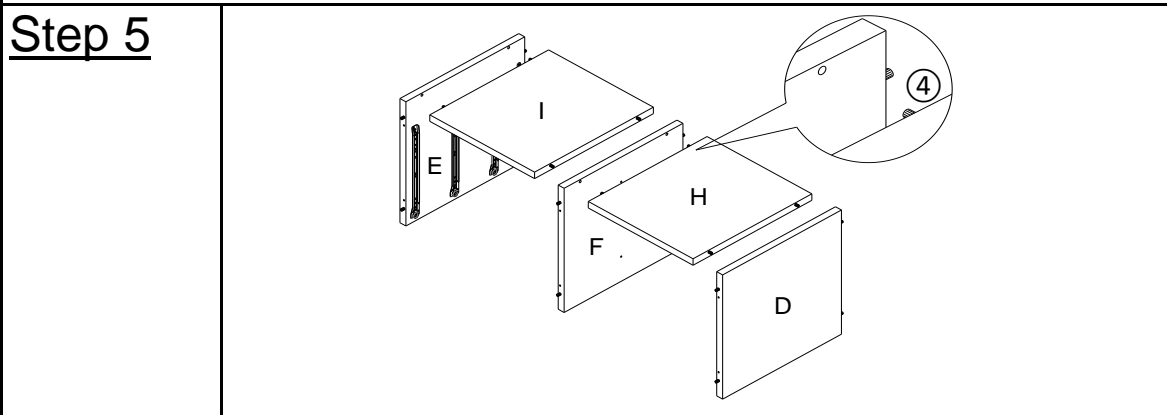
**3.1)** Attach Drawer Left Side Rail(AL) to Center Panel(F) using Screws(⑥) with Screwdriver(⑮) where indicated.

**Note: There are pre-existing mounting positions on the Center Panel(F) to attach the Drawer Left Side Rail(AL). Tighten the Screws fully in a sequential manner.**

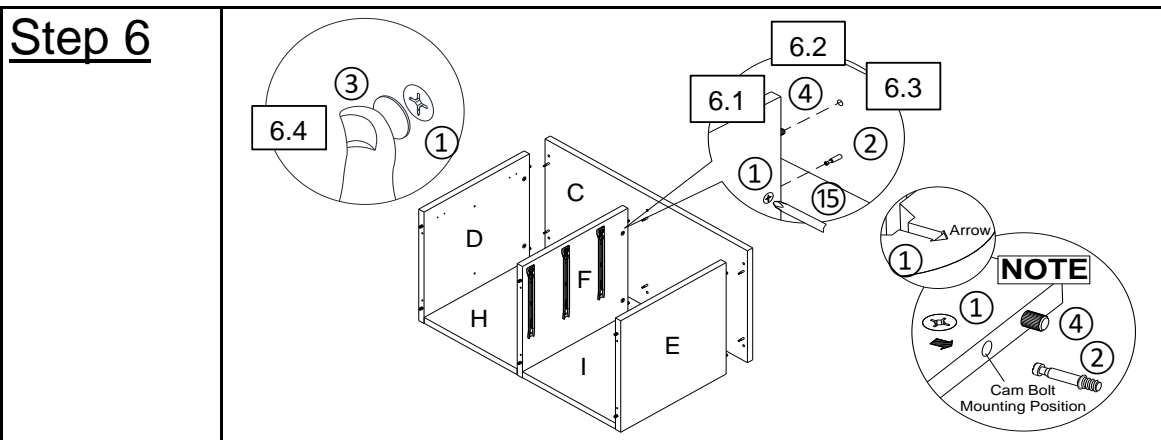




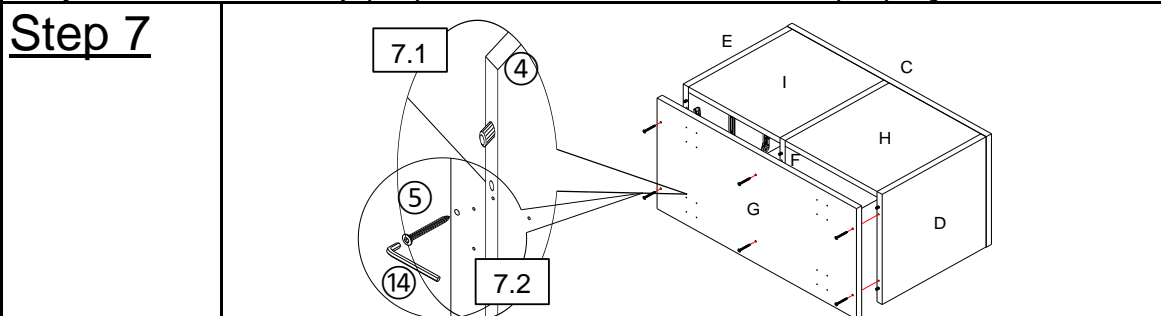
**4.1) Attach Drawer Right Side Rail(AR) to Side Panel Right(E) using Screws(⑥) with Screwdriver(⑮) where indicated.**  
**Note: There are pre-existing mounting positions on the Side Panel Right(E) to attach the Drawer Right Side Rail(AR). Tighten the Screws fully in a sequential manner.**



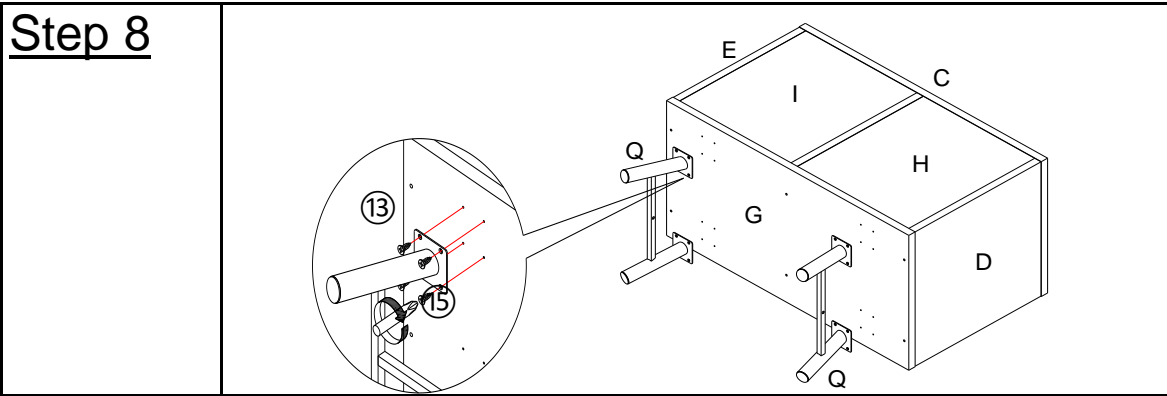
Insert Positioning Dowels(④) in the Back Panel Left(H) and Back Panel Right(I) into mounting position on Side Panel Left(D), Center Panel(F) and Side Panel Right(E).



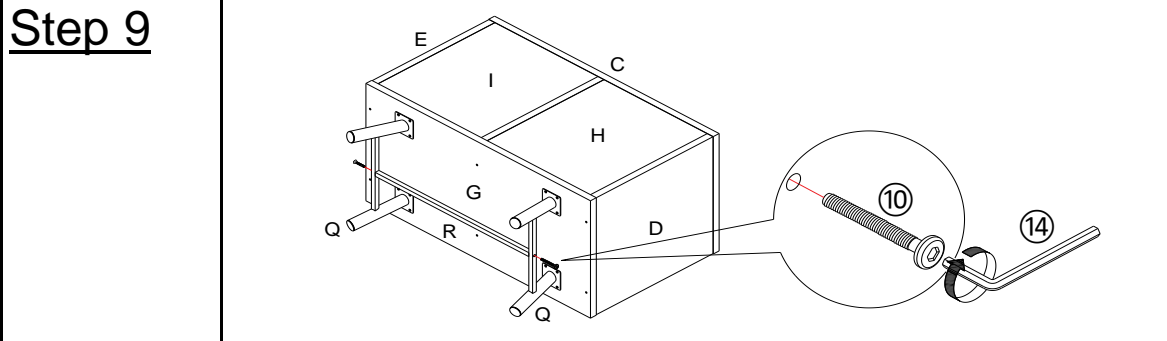
- 6.1)** Insert Positioning Dowels(④) from Side Panel Left(D), Side Panel Right(E) and Center Panel(F) into mounting positions on Top Panel(C).
- Note: Ensure the arrows on Cam Locks head points towards the Cam Bolt mounting positions.**
- 6.2)** Insert the Cam Bolts(②) on Top Panel(C) into mounting positions on Side Panel Left(D), Side Panel Right(E) and Center Panel(F).
- 6.3)** Turn the Cam Locks(①) with the Screwdriver(⑮) until they all lock into place.
- 6.4)** Insert Cam Cap(③) to cover the Cam Lock(①) by hand.



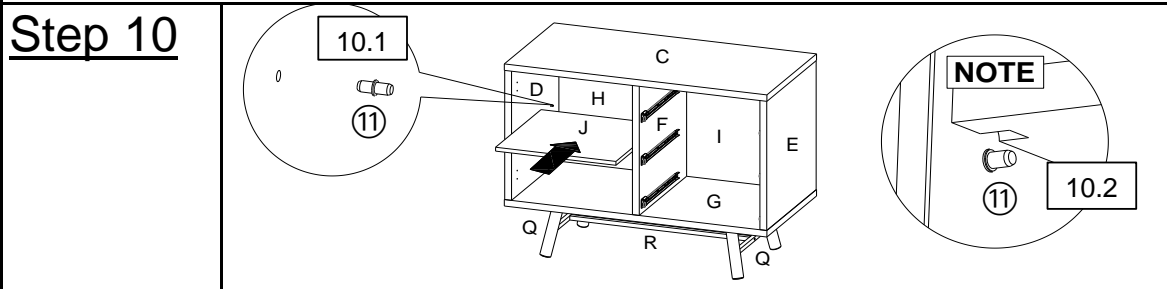
- 7.1)** Insert Positioning Dowels(④) from Side Panel Left(D), Side Panel Right(E) and Center Panel(F) into mounting positions on Bottom Panel(G).
- 7.2)** Attach Bottom Panel(G) to Side Panel Left(D), Side Panel Right(E) and Center Panel(F) using Cap Wood Screws(⑤) with Allen Key(⑭).



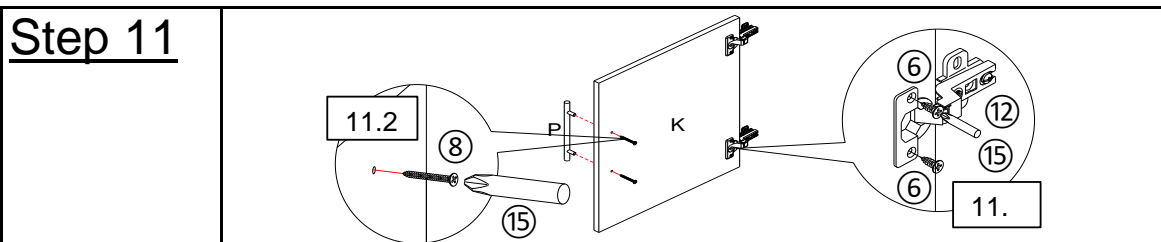
Attach Metal Leg(Q) to Bottom Panel(G) Screw(13) with Screwdriver(15).



Attach Metal Leg(Q) to Metal Support(R) Bolt(10) with Allen Key(14).



**10.1)** Insert Metal Shelf Support(11) into mounting positions on Side Panel Left(D) and Center Panel(F) By hand.  
**10.2)** Put Shelf Panel(J) in place on Metal Shelf Supports(11).  
**Note: There are lead mounting positions on Shelf Panels (J) to fit Metal Shelf Supports (11).**

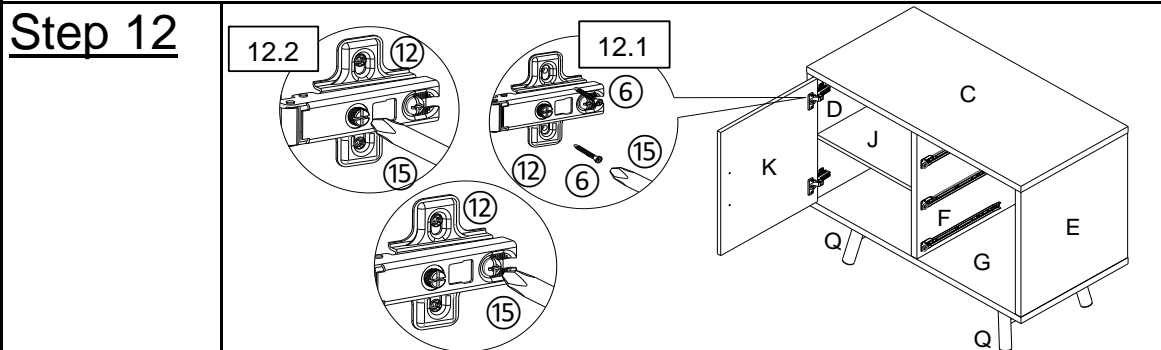


**11.1)** Attach Connectors(12) to Door Panel(K) using Screws(6) with Screwdriver(15).

**11.2)** Attach Handle(P) to Door Panel(K) using Handle Screws(8) with Screwdriver(15).

**Tighten the Screws fully in a sequential manner.**

**Note: There are pre-existing mounting positions on the Door Panel(K) to attach the Connectors(12) and Handle(P).**



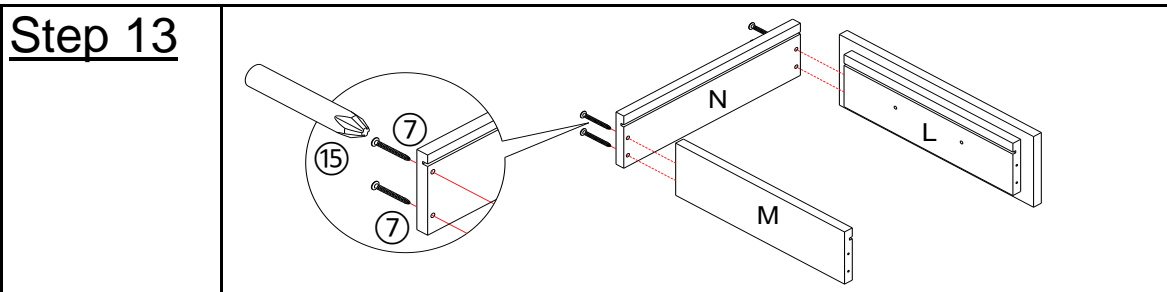
**12.1)** Attach Connectors(12) to Side Panel Left(D) using Screws(6) with Screwdriver(15).

**Tighten the Screws fully in a sequential manner.**

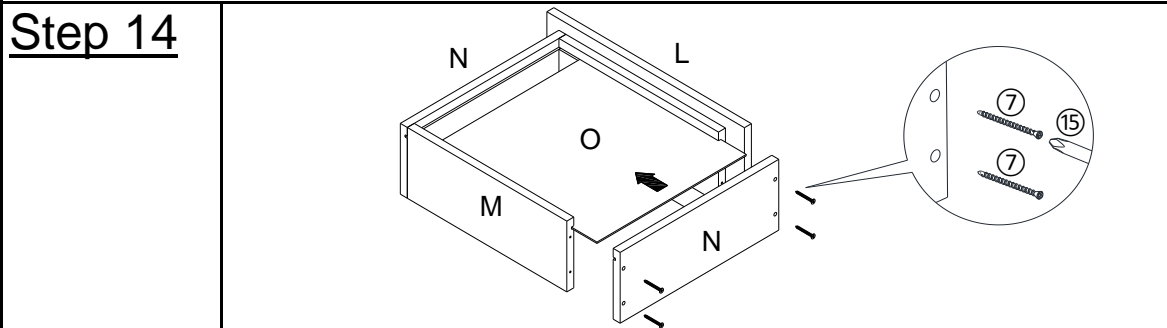
**12.2)** Rotate first screw on Connectors(12) to adjust left-right position of Door Panel(K) when necessary.

**12.3)** Rotate second screw on Connectors(12) to adjust in-out position of Door Panel(K) when necessary.

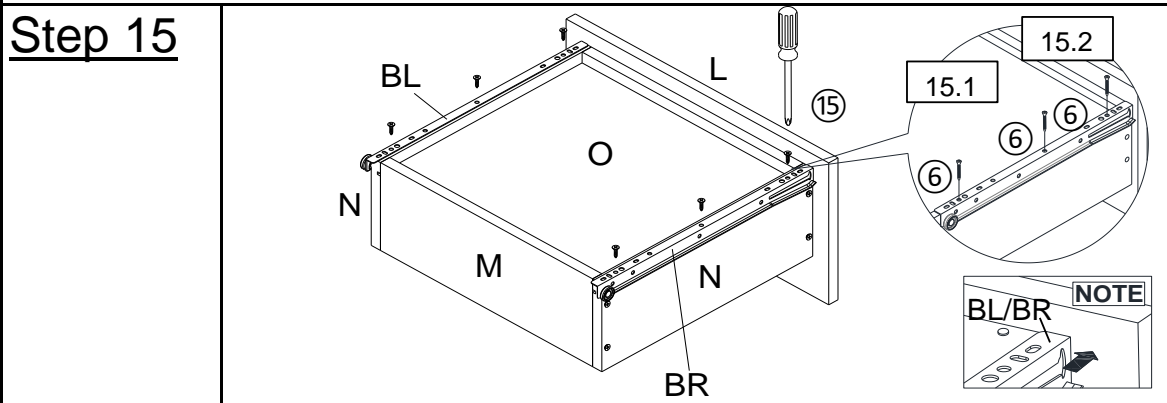
**Note: There are pre-existing mounting positions on the Side Panel Left(D) to attach the Connectors(12).**



Attach Drawer Side Panel(N) to Drawer Front Panel(L) and Drawer Back Panel(M) using Screws(7) with Screwdriver(15).  
**Tighten the Screws fully in a sequential manner.**

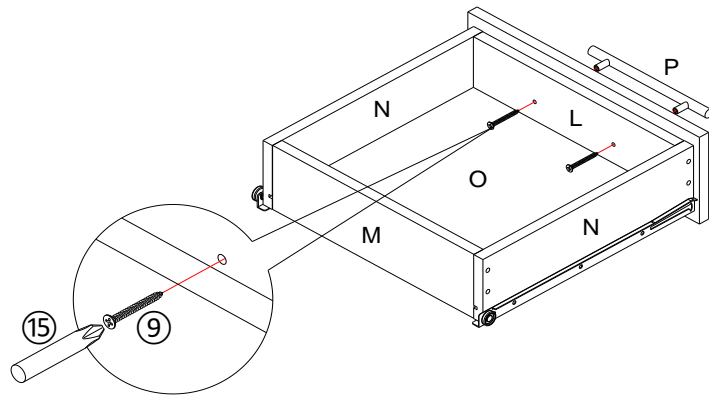


Attach Drawer Bottom Panel(O) to Drawer Assembly, attach Drawer Side Panel(N) to Drawer Front Panel(L) and Drawer Back Panel(M) using Screws(7) with Screwdriver(15).  
**Tighten the Screws fully in a sequential manner.**



**15.1)** Attach Drawer Right Bottom Rail (BR) to Drawer Side Panel (N) using Screws(6) with Screwdriver(15) where indicated.  
**15.2)** Repeat the same process on the Drawer Left Bottom Rail (BL).  
**Tighten the Screws fully in a sequential manner.**

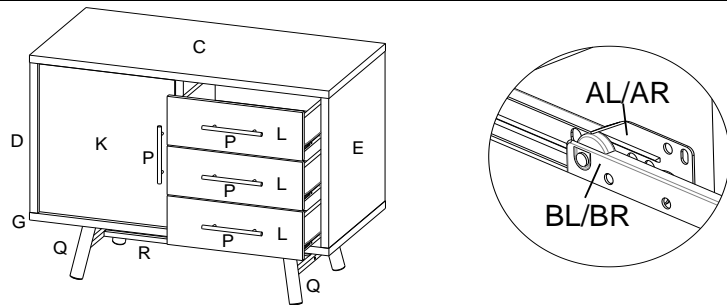
### Step 16



Attach Handle(P) to Drawer Front Panel(L) using Handle Screws(9) with Screwdriver(15).

**Tighten the Screws fully in a sequential manner.**

### Step 17



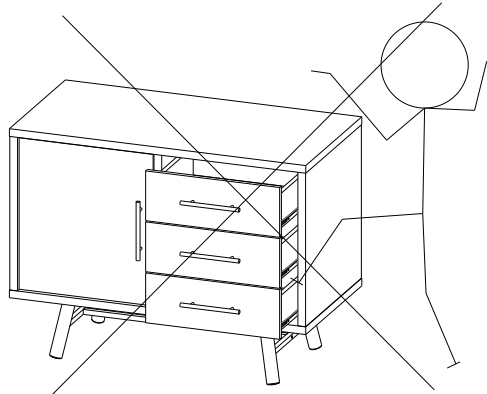
Put Drawer Assembly in place by aligning the rails.

## Cabinet Restraint Device Installation Instructions

### WARNING

Serious or fatal crushing injuries can occur from tipping furniture.  
To help prevent tip-over: ALWAYS secure this furniture to the wall using Cabinet Restraint Device.

See product instructions for more ways to help prevent furniture tip-over.

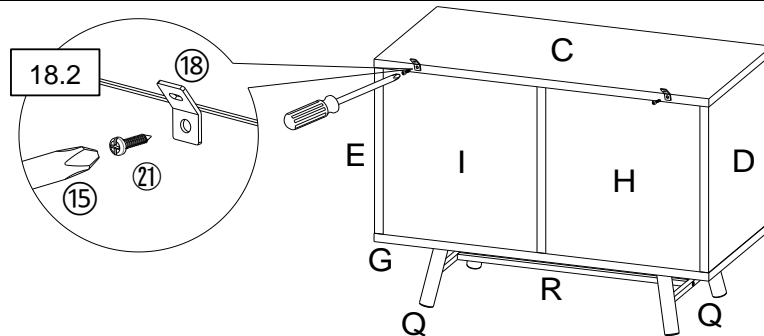


### Usage For Sideboard Restraint Device:

To secure Sideboard against wall, attach two Metal Brackets(18) on wall and product, use Cabinet Restraint Strap(22) to connect the Metal Brackets(18).

### Instructions:

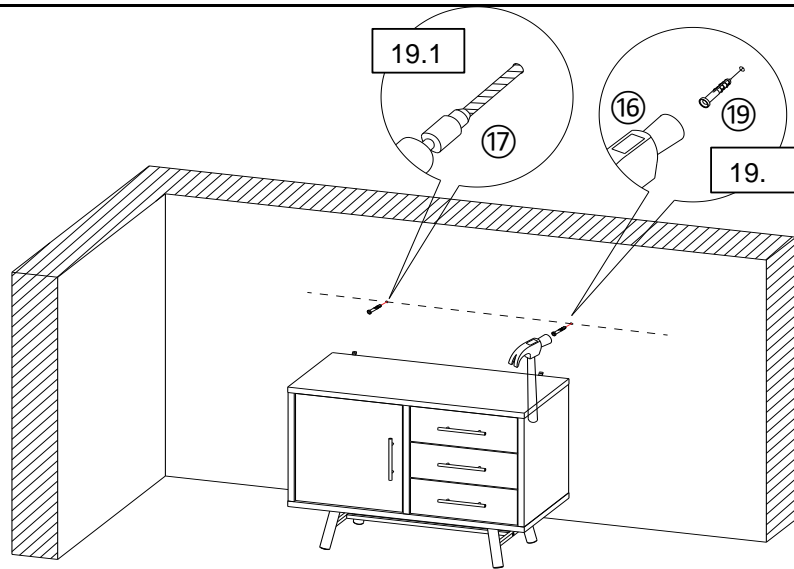
#### Step 18



**18.1)** Turn the sideboard so the back side faces you.

**18.2)** Attach Metal Brackets(18) to Top Panel(C), where labeled, using Pan Head Screws(21) with Screwdriver(15).

## Step 19



**19.1)** Drill two holes on wall at same height as Metal Brackets(18) on Sideboard with Power Drill(17).

You can mark these points in two ways as below:

1) Move the Sideboard back to the wall. Mark two points same height as Sideboard on the wall.

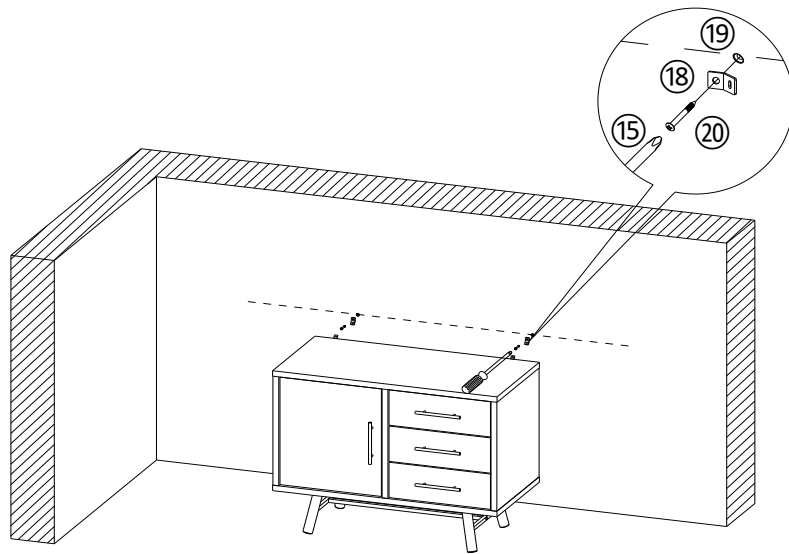
Note: The Metal Brackets need to be secured to solid, load bearing surface. Please use a Stud Finder(not supplied) if needed to locate the Wall Frame.

2) Measure the height of the Metal Brackets(18) with ruler/measuring tape and mark on wall to keep them accurate and same height.

**19.2)** Insert Wall Plugs(19) into drilled holes on wall with Hammer(16).

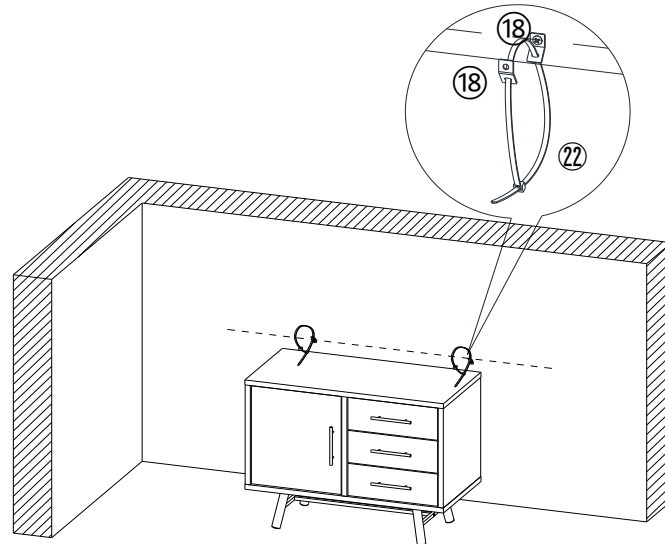


## Step 20



Attach Metal Brackets(18) to Wall Plugs(19) using Wall Plug Screws(20) with Screwdriver(15).

## Step 21



Move Sideboard to the wall.  
Pull the Cabinet Restraint Straps(22) through the Metal Brackets(18) on the wall and Sideboard one by one, and pull the Cabinet Restraint Straps(22) tight.












Step 22



Your Sideboard is ready for use.

**This Sideboard can only be used on a flat, level surface.**

## **Care & Maintenance**

- ✓  • Furniture may scratch floors. We recommend using furniture pads to protect your floors.
- ⊘  • Do not put hot items directly on furniture surface.
- ⊘  • Do not clean furniture with harsh cleansers or polish.
- ⊘  • Do not place furniture under direct sunlight.
- ⊘  • Do not place furniture near heating or cooling vents.
- ⊘  • Do not write on furniture without a padded barrier to protect the surface.
- ⊘  • Do not place furniture outside . For indoor use only.
- ⊘  • Not for commercial use. For residential use only.
- ⊘  • Stains may be removed with mild soap solution and damp cloth.
- ⊘  • Children should not climb or jump on the furniture.
- ✓  • Dust and pick-up spills using a clean, non-colored, lint-free cloth.