

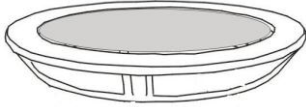


# Assembly Instructions

Caution: You must read this before you proceed.

## Table



## Parts List

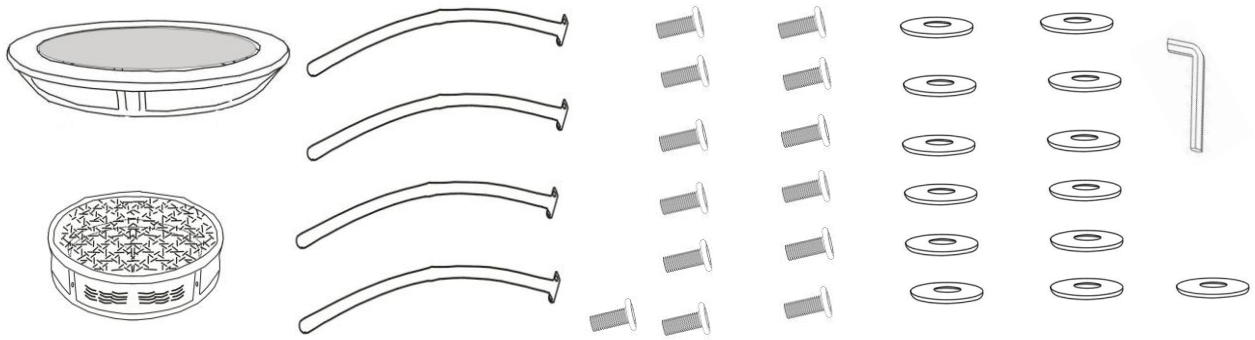
Label	Picture	Description	QTY
A		Table Top with Glass	1
B		Shelf	1
C		Table Leg	4

## Hardware

Label	Picture	Description	QTY
①		Allen Key	1
②		Bolt (M6*16mm)	13
③		Washer	13

# Assembly Preparation

Before Beginning Assembly: Unpack all the parts for a clear overview.



- Read instructions, cover to cover-



- Have 2 adults on hand for assembly-



- Do not assemble on flooring or carpet-



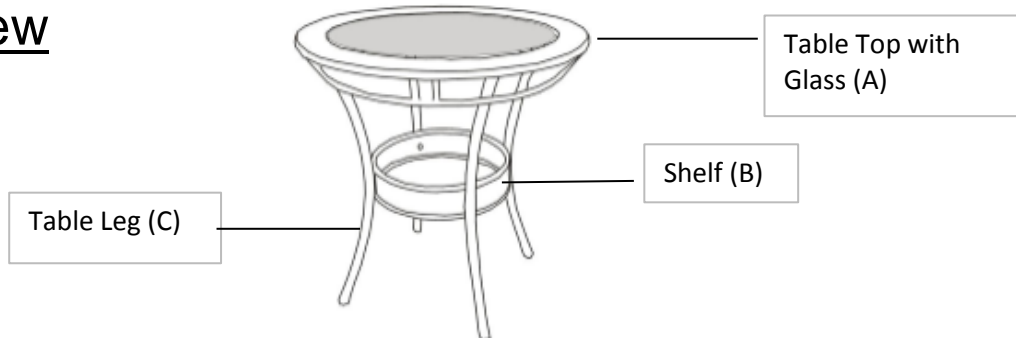
- Assemble on a clean non-marring surface (packing foam)-



- Save all packaging until finished-

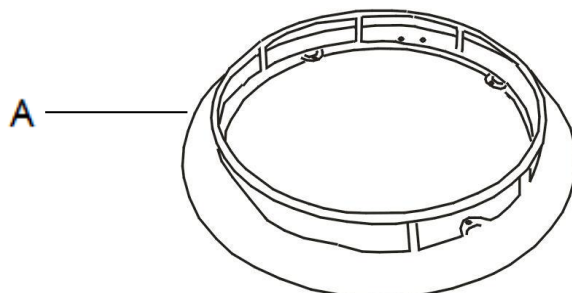
# Assembly Steps

## Overview



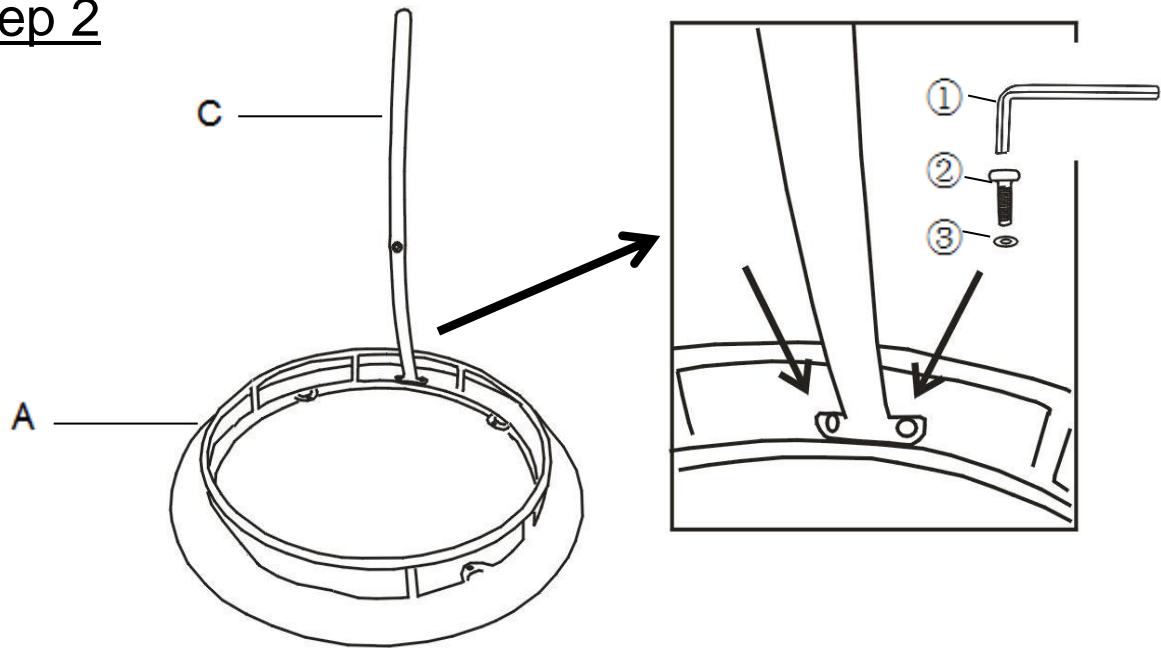
This Table has multiple parts and may require up to 30 minutes to assemble. To give you an overview of the Table parts, the above picture is to help you put the various parts into perspective. Please read through the instructions below to familiarise yourself with the parts and steps before assembly.

## Step 1



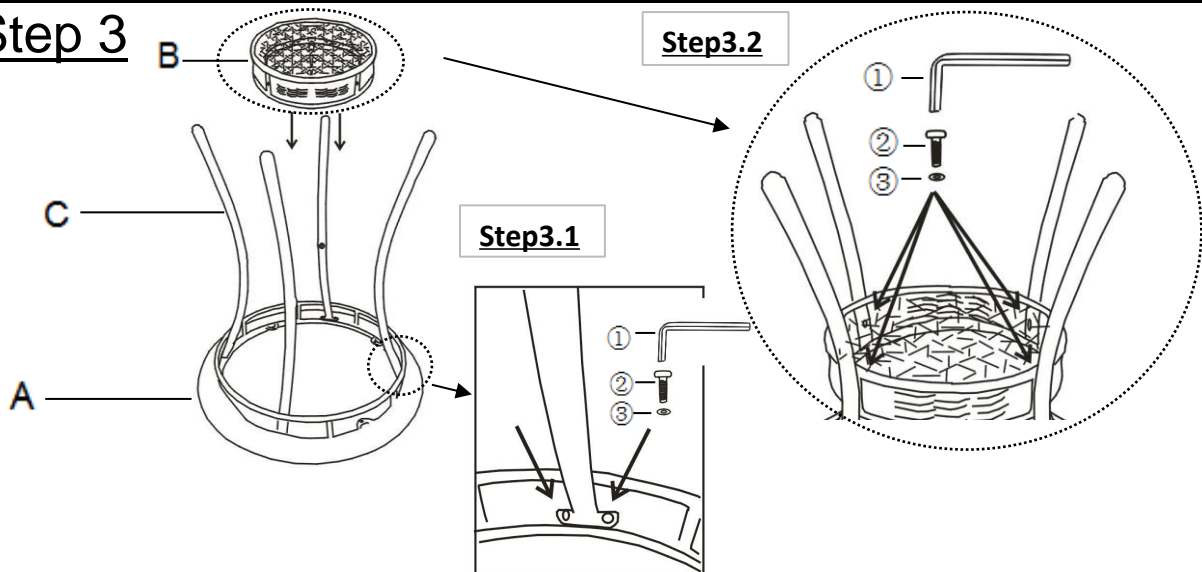
Unpack and place Table Top with Glass(A) 'upside down' on a clean soft surface, as shown in picture above.

## Step 2



Align the Table Leg(C) with mounting positions of the Table Top with Glass(A).  
Attach Table Leg(C) using Bolts(2), and Washers(3) with Allen Key(1).  
**Do not fully tighten the Bolts.**

## Step 3

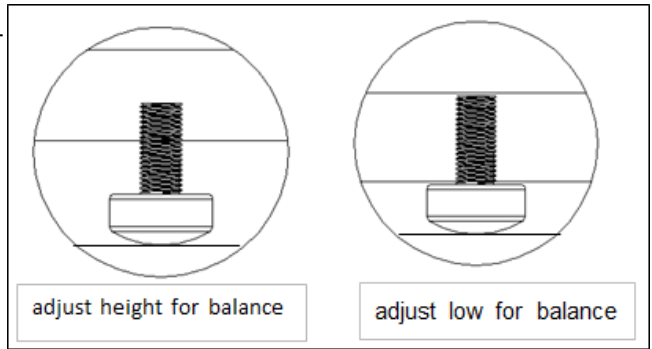
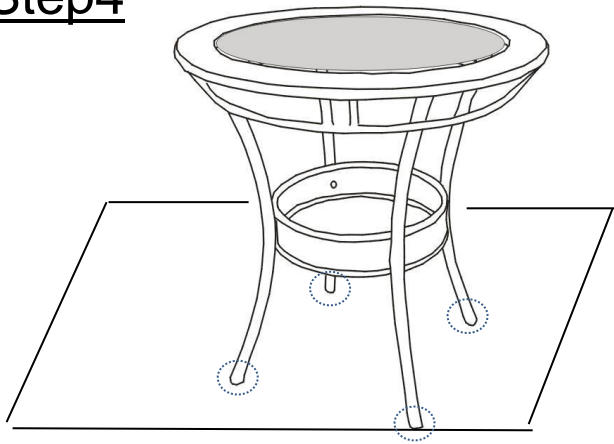


Step 3.1: Repeat the same assembly process for the remaining three Table Legs(C).

Step 3.2: Place the Shelf(B) between the Table Legs(C) as shown above.  
To align the opening on the shelf with the mounting position on the legs, then assemble the Shelf(B) inside the four Table Legs(C) using Bolts(2) and Washers(3) with Allen Key(1).

**Do not fully tighten the Bolts.**

## Step4



Place the Table on a **LEVEL SURFACE** to check for wobbles.

If it wobbles, apply steady and even pressure down on the Table Top with the help of an adult partner. **Adjust the Legs Pre-installed Levellers until the Table is level with the ground.**

**Adjust the levellers to the desired height to avoid wobbles.** When the Table is level proceed to tighten all Bolts at all joints.

When tightening the Bolts, tighten sequentially.

**DO NOT tighten any Bolt fully and then move on to the next one.**

This would cause the frame to warp.

**If the Table is not stable it could lead to damage to the product.**





















## Step 5



Your Table is ready for use.

**This Table can only be used on a Flat Level Surface.**

## Care & Maintenance

-   ● Do not put hot items directly on furniture surface
  -   ● Do not clean furniture with harsh cleansers or polish.
  -   ● To obtain the longest lifespan of your outdoor products, minimizing exposure to direct sunlight is recommended.
  -   ● Children should not climb or jump on the furniture.
  -   ● Do not write on furniture without a padded barrier to protect the surface.
  -   ● To obtain the longest lifespan of your outdoor products, avoid extended and lengthy exposure to rain, snow, and direct sunshine. Whenever possible cover the product and /or place under patio or awnings.
  -   ● Not for commercial use. For residential use only .
  -   ● Stains may be removed with mild soap solution and damp cloth.
  -   ● Keep away from sources of ignition.
- 
-   ● Dust and pick-up spills using a clean, non-colored, lint-free cloth .

### What is Proposition 65?

Proposition 65 is a California law that requires warning labels on products that may contain one of more than 800-plus chemicals or ingredients that the California Office of Environmental Health Hazard Assessment (OEHHA) has deemed to cause cancer or other reproductive toxicity. Chemicals and elements on this list include wood dust, brass, and other everyday substances, which can be found in very common household items, such as: lamps, tableware, jewelry, crystal glasses, electric cords, beauty products, automobiles, and furniture.

### Why Did I Find a Proposition 65 Warning on My Home Goods Product?

We include Proposition 65 warnings on all of our products because there is always a chance that one of the 800-plus common chemicals and ingredients listed under this law could potentially be on our furniture or packing materials. We risk large fines under this law, if we don't include this warning.

### Should I worry?

We realize you may be worried finding this warning on our products, but we want to reassure you that the hazardous exposure limits for any of these chemicals have never been found on furniture products that we've shipped to our customers. Additionally, this warning label is very common and can be found on almost every piece of furniture sold in the state of California.

### Just How Common Are Proposition 65 Warnings?

Proposition 65 warnings have become so common in California that it is hard to take a trip to a local bank, grocery store, or restaurant without finding at least one warning. In fact, even the Disney Land Resort has a Proposition 65 warning:

