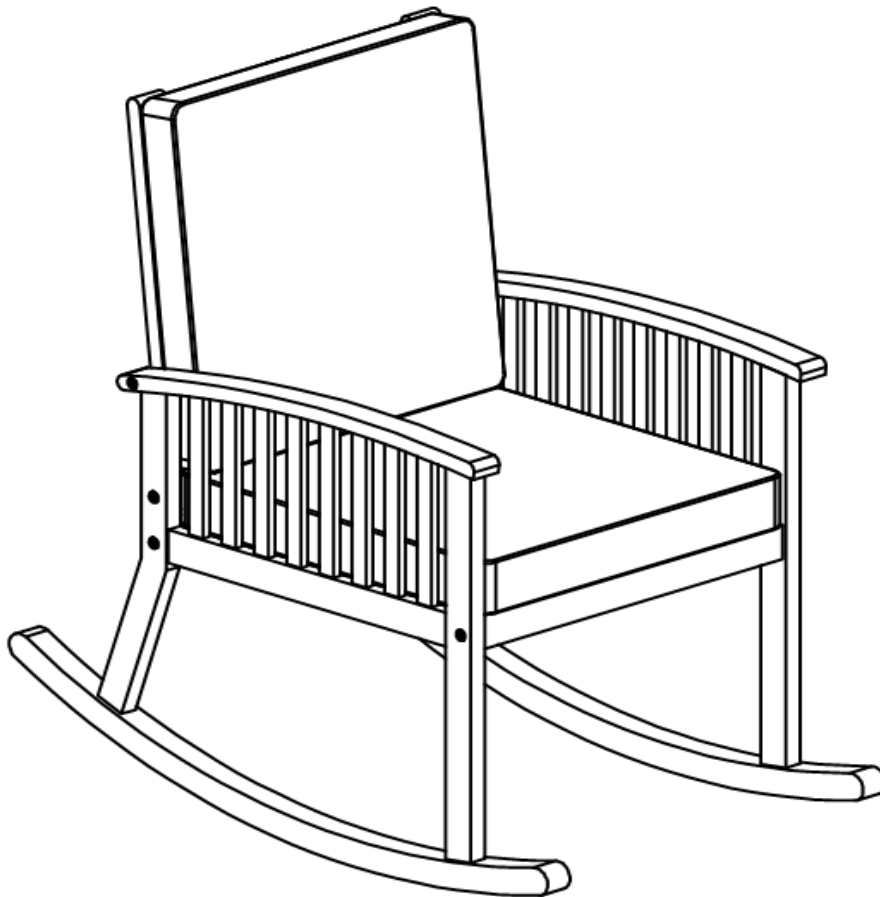


# Assembly Instructions

**Caution:** You must read this before you proceed

## Rocking Chair


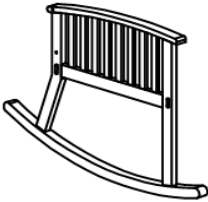
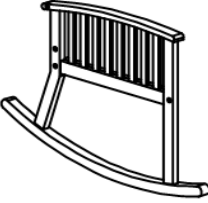
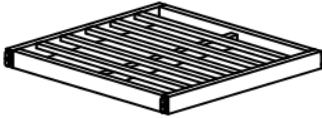
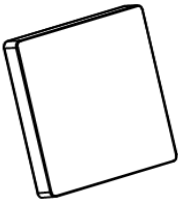
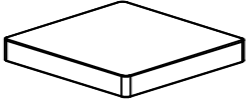


**Caution:** This Chair is NOT a TOY.


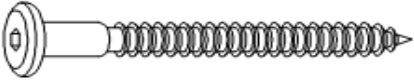
Keep your child/children at bay during the assembly process.

The Chair and its parts are heavy, whenever lifting or moving them, two adults are needed to execute these actions.

# Part List

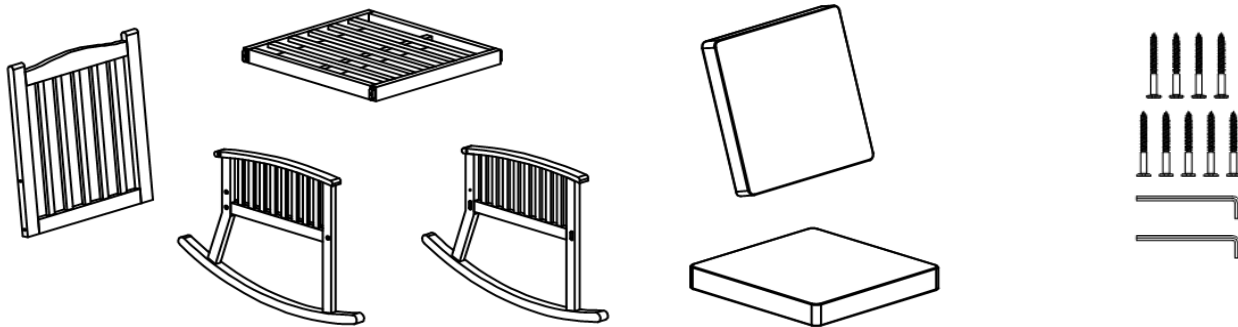
Label	Picture	Description	QTY
A		Backrest Panel	1
B		Right Arm with Leg Panel	1
C		Left Arm with Leg Panel	1
D		Seat Panel	1
E		Back Cushion	1
F		Seat Cushion	1






# Hardware

Label	Picture	Description	QTY
①		Allen Wrench	2
②		Screw (M7x70mm)	9

# Assembly Preparation

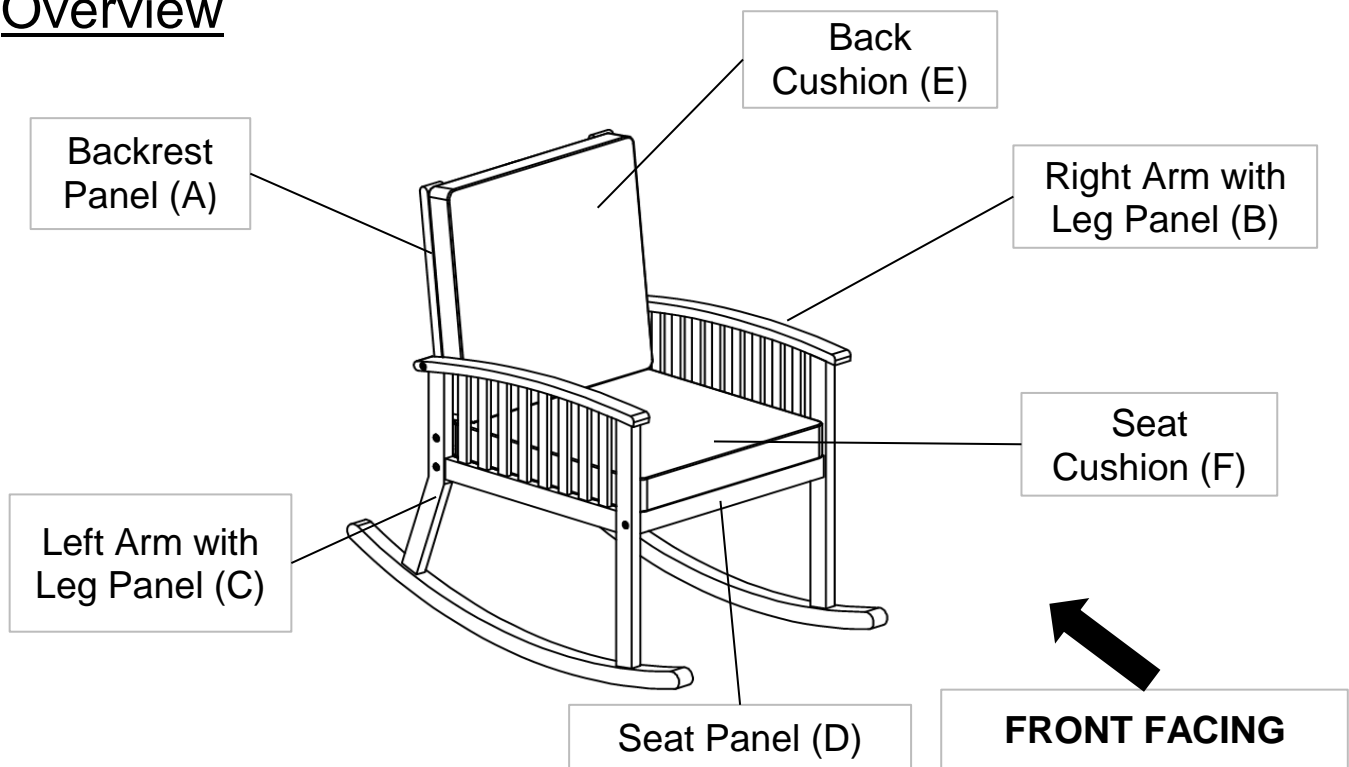
Before Beginning Assembly:



-  • Read instructions, cover to cover-
-  • Have 2 adults on hand for assembly-
-  • Do not assemble on flooring or carpet-
-  • Assemble on a clean non-marring surface (packing foam)-
-  • Save all packaging until finished-

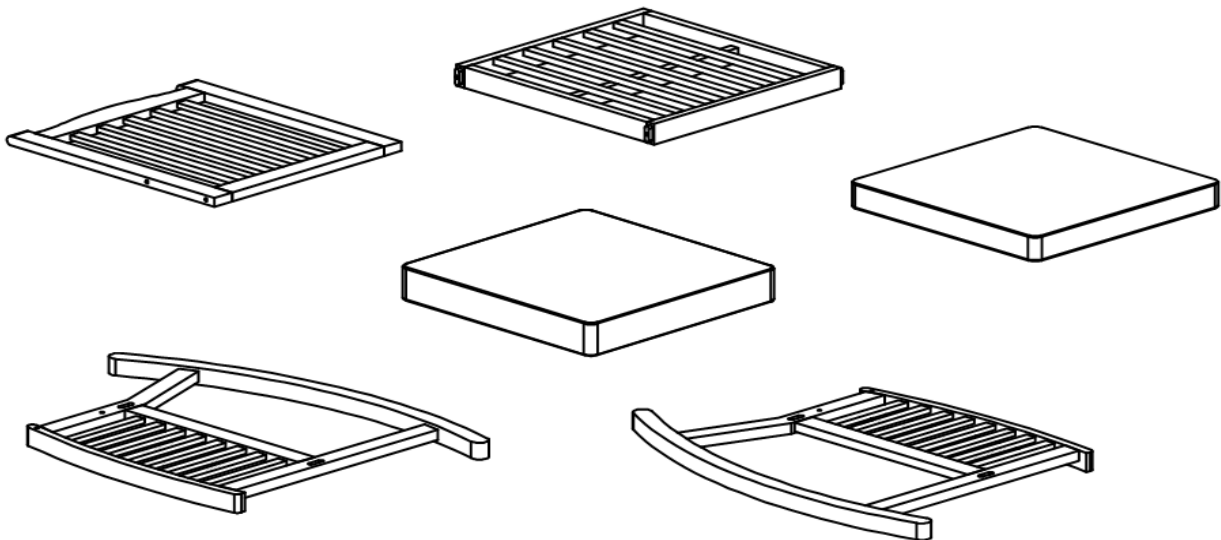
# Assembly Steps

## Overview



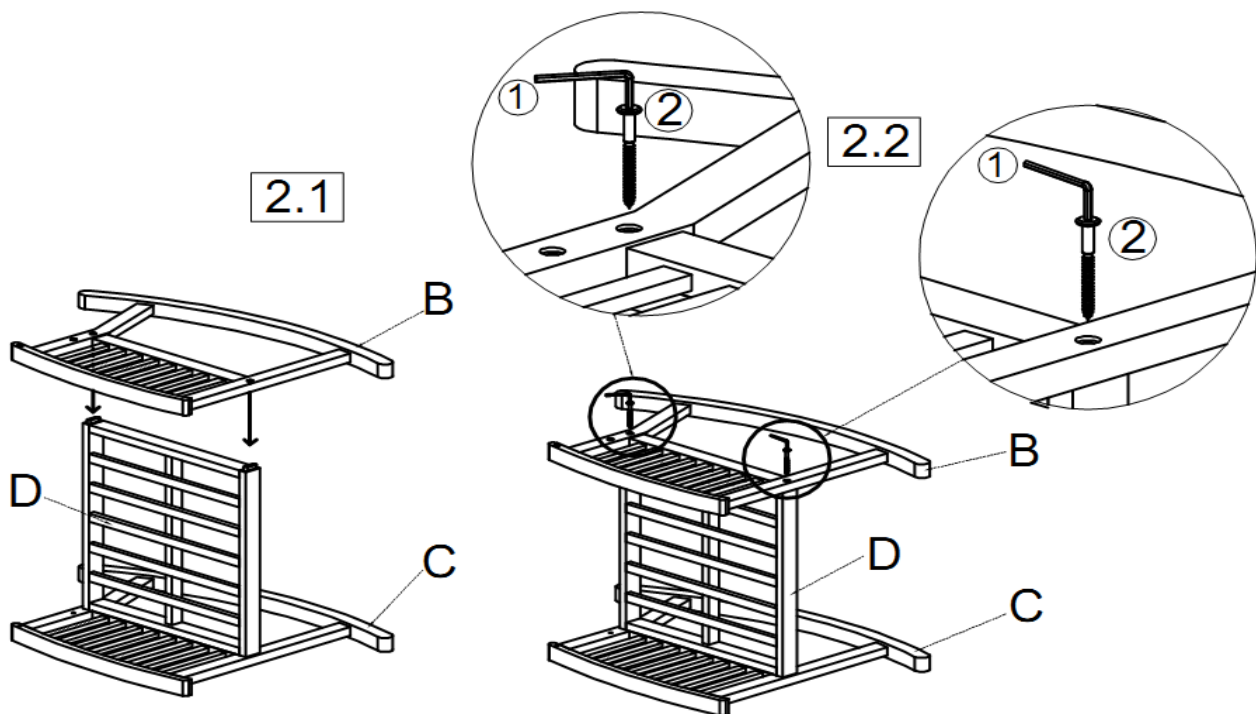
This Chair has multiple parts and may require up to 30 minutes to assemble. To give you an overview of the Chair, the above picture is to help you put the various parts into perspective. Please read through the instructions below to familiarise yourself with the parts and steps before assembly.

## Step 1



Unpack and place all parts on a clean, non-marring surface.

## Step 2

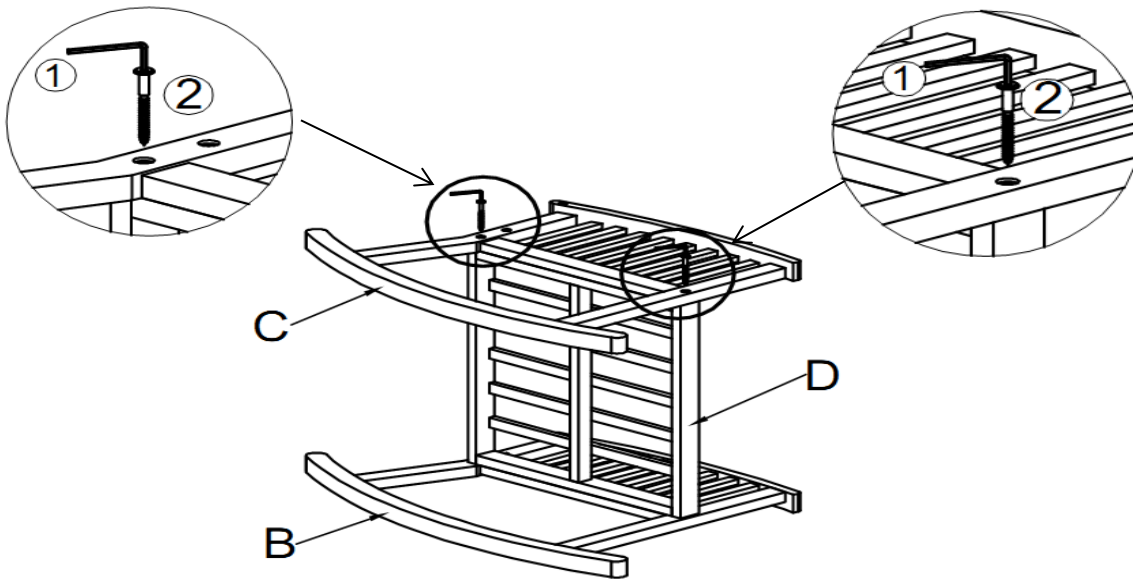


**2.1)** Position Seat Panel(D) between Left Arm with Leg Panel(C) and Right Arm with Leg Panel(B) as shown in above picture.

**2.2)** Secure Right Arm with Leg Panel(B) to Seat Panel(D) using Screws(②) with Allen Wrench(①).

**Do not fully tighten the Screws.**

### Step 3

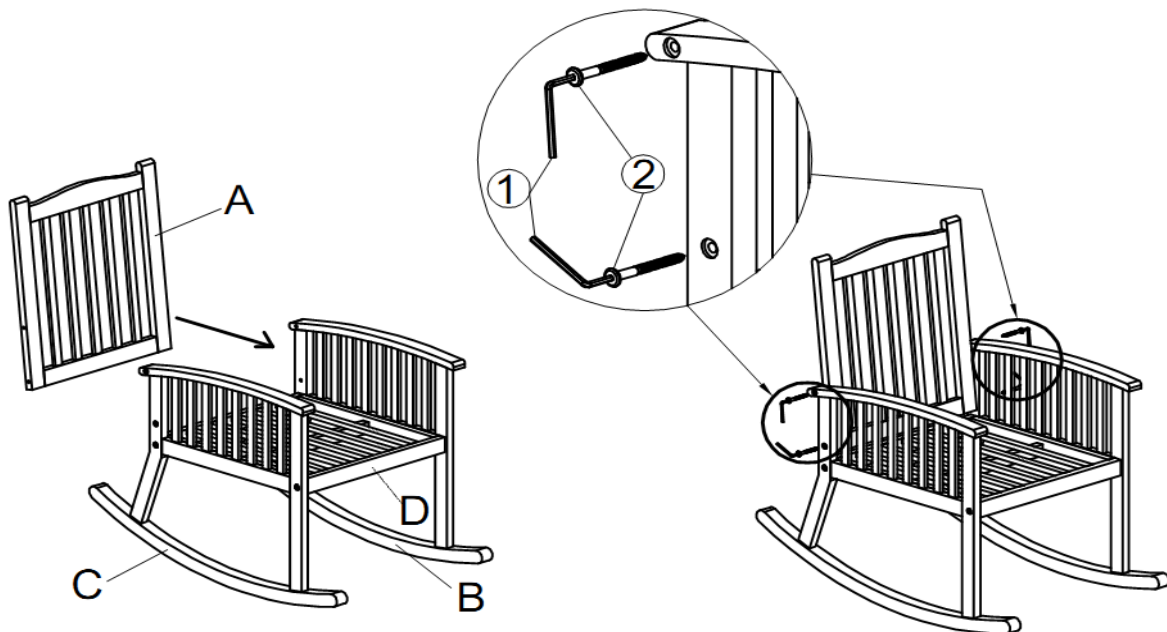


With assistance from your adult partner, turn the Chair over.

Attach Left Arm with Leg Panel(C) to Seat Panel(D) using Screws(②) with Allen Wrench(①).

**Do not fully tighten the Screws.**

### Step 4



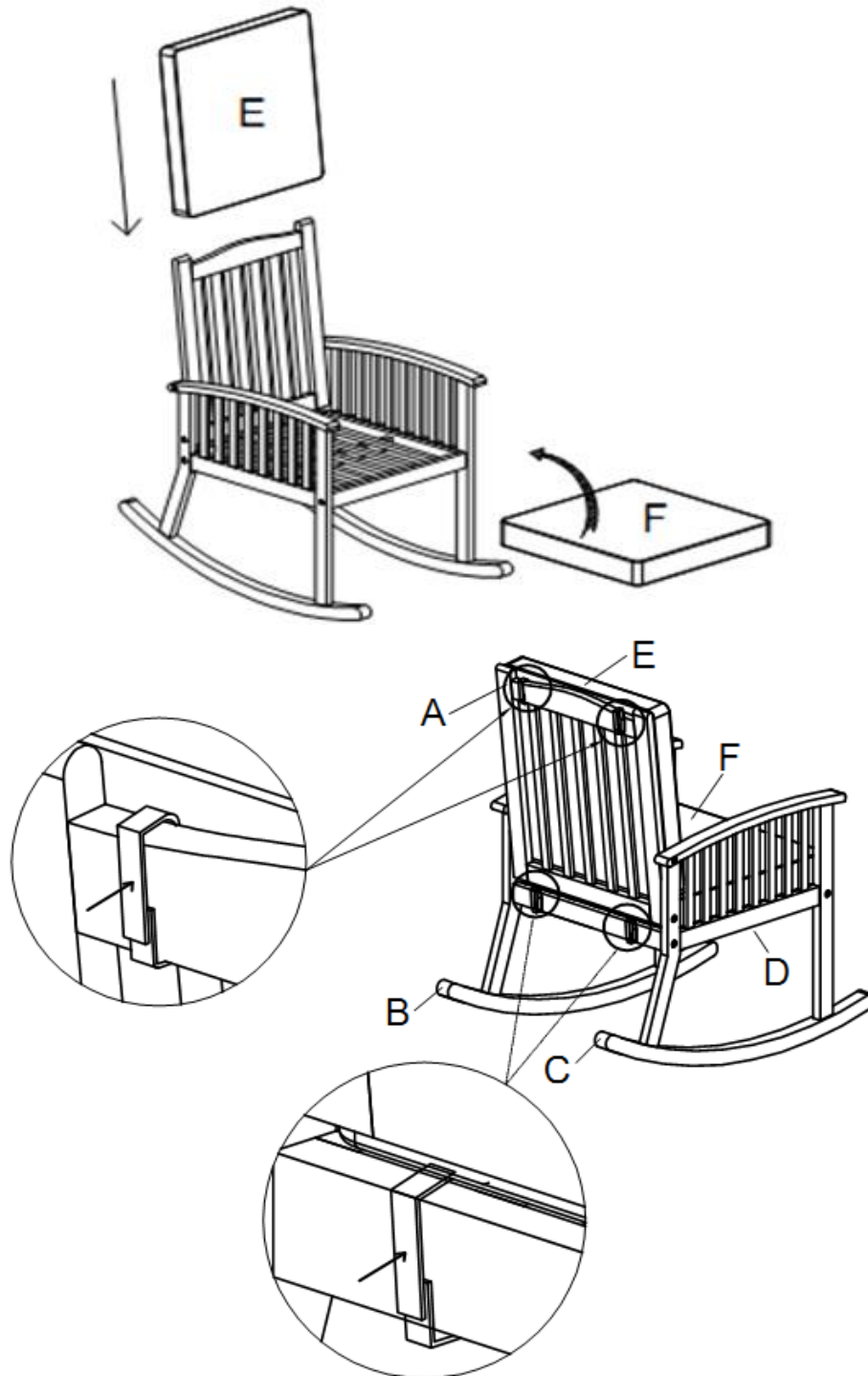
Stand the Chair up.

Align Backrest Panel(A) between Left Arm with Leg Panel(C) and Right Arm with Leg Panel(B) as shown in above picture.

Attach Backrest Panel(A) to Left Arm with Leg Panel(C) and Right Arm with Leg Panel(B) using Screws(②) with Allen Wrench(①).

**Do not fully tighten the Screws.**

## Step 5



**Inspect it and make sure all parts are adequately connected.**

Gently and gracefully, sit onto the Chair.

This will help to align all the parts at all joint areas.

Then get off the Chair and proceed to tighten the Screws in a sequential manner.

**When tightening the Screws tighten sequentially.**

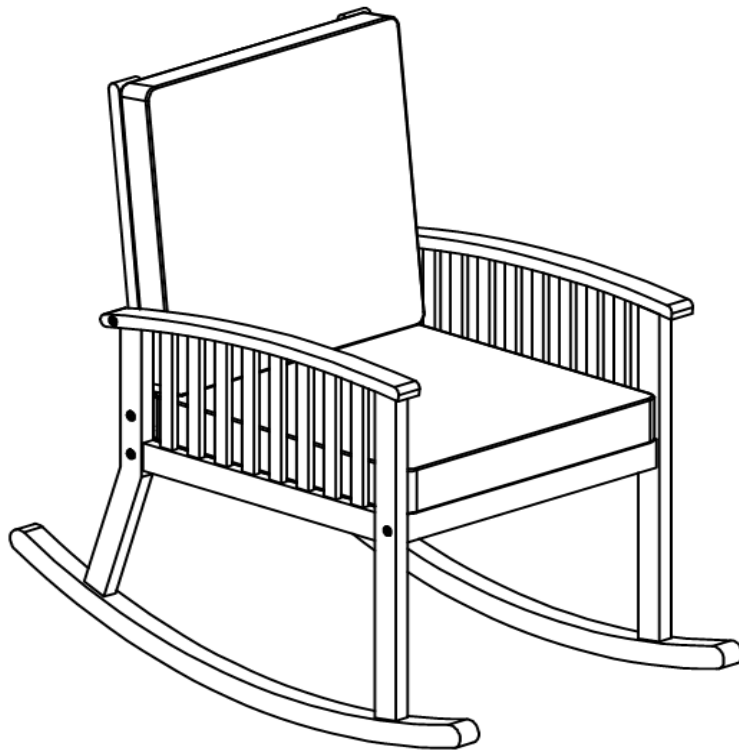
**DO NOT tighten any Screw fully and then move on towards the next one.**

**If there are still wobbles, loosen the Screws and execute this same process.**

Place Seat Cushion(F) and Back Cushion(E) onto the Chair.

Tie the magic tape straps of Back Cushion(E) to Backrest Panel(A) and Seat Cushion(F) to Seat Panel(D).










## Step 6



Your Rocking Chair is ready for use.

**This Rocking Chair can only be used on a flat, level surface.**

## Care & Maintenance

- ⊘  ● Do not put hot items directly on furniture surface.
- ⊘  ● Do not clean furniture with harsh cleansers or polish.
- ✓  ● To obtain the longest lifespan of your outdoor products, minimizing exposure to direct sunlight is recommended.
- ⊘  ● Children should not climb or jump on the furniture.
- ⊘  ● Do not write on furniture without a padded barrier to protect the surface.
- ✓  ● To obtain the longest lifespan of your outdoor products, avoid extended and lengthy exposure to rain, snow, and direct sunshine. Whenever possible cover the product and /or place under patio or awnings.
- ⊘  ● Not for commercial use. For residential use only.
- ⊘  ● Stains may be removed with mild soap solution and damp cloth.
- ✓  ● Dust and pick-up spills using a clean, non-colored, lint-free cloth .